



US00D681229S

(12) **United States Design Patent**
Henssler et al.

(10) **Patent No.:** **US D681,229 S**
(45) **Date of Patent:** **** Apr. 30, 2013**

(54) **CENTRIFUGE**

7,314,442 B2 * 1/2008 Shimizu et al. 494/60
D617,909 S * 6/2010 Taniguchi et al. D24/219
D660,976 S * 5/2012 Henssler et al. D24/219

(75) Inventors: **Heinrich Henssler**, Schwäbisch Gmünd (DE); **Martin Schultheiss**, Schwäbisch Gmünd (DE)

* cited by examiner

(73) Assignee: **Thermo Electron LED GmbH**, Langenselbold (DE)

Primary Examiner — Anhdao Doan

(74) *Attorney, Agent, or Firm* — Wood, Herron & Evans, LLP

(**) Term: **14 Years**

(57) **CLAIM**

The ornamental design for a centrifuge, as shown and described.

(21) Appl. No.: **29/427,053**

(22) Filed: **Jul. 13, 2012**

DESCRIPTION

(51) **LOC (9) Cl.** **24-01**

(52) **U.S. Cl.**

USPC **D24/219**

(58) **Field of Classification Search** D24/216,
D24/217, 219, 231, 232, 107, 169, 186; D10/81;
422/62-65, 67, 72; 436/43, 45, 47; 494/9,
494/11, 12, 20, 84

See application file for complete search history.

FIG. 1 is an isometric view of our new centrifuge design;
FIG. 2 is an isometric view thereof;
FIG. 3 is a front view thereof;
FIG. 4 is a right side view thereof;
FIG. 5 is a cross sectional view thereof, taken along line 5-5 of FIG. 3;
FIG. 6 is a rear view thereof;
FIG. 7 is a left side view thereof; and,
FIG. 8 is a top view thereof.

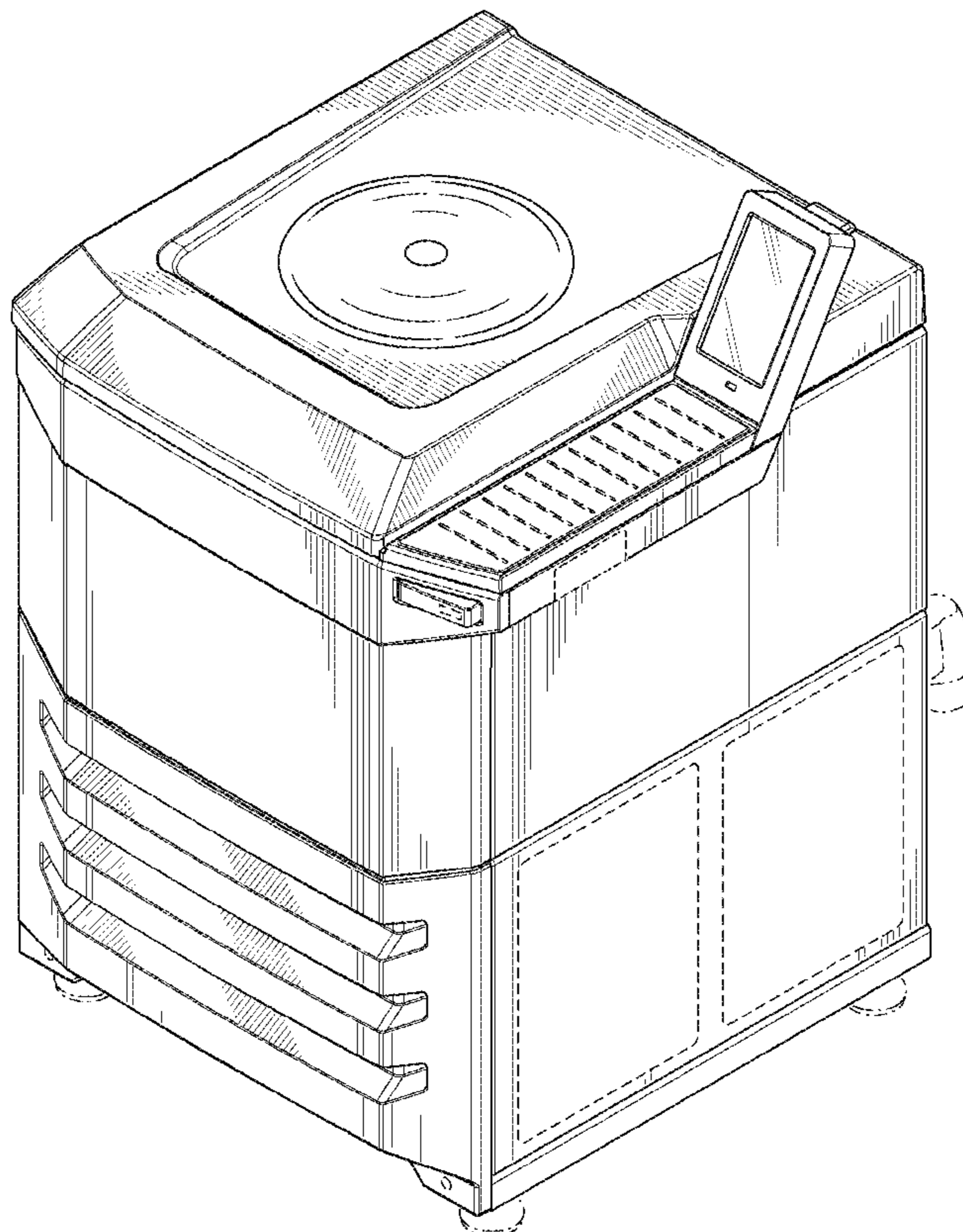
The features of the centrifuge shown in broken dash lines which define the bounds of the claimed design are for illustrative purposes only and form no part of the claimed design. The features of the centrifuge shown in broken dot-dash lines are for the purpose of illustrating environment of the claimed design and form no part of the claimed design.

(56) **References Cited**

U.S. PATENT DOCUMENTS

D324,107 S * 2/1992 Koreeda et al. D24/219
D367,867 S * 3/1996 Suzuki et al. D24/219
D415,840 S * 10/1999 Lamond et al. D24/219
D432,243 S * 10/2000 Suzuki et al. D24/219
D525,890 S * 8/2006 Inagaki D10/81
7,090,633 B2 * 8/2006 Hall et al. 494/12

1 Claim, 8 Drawing Sheets



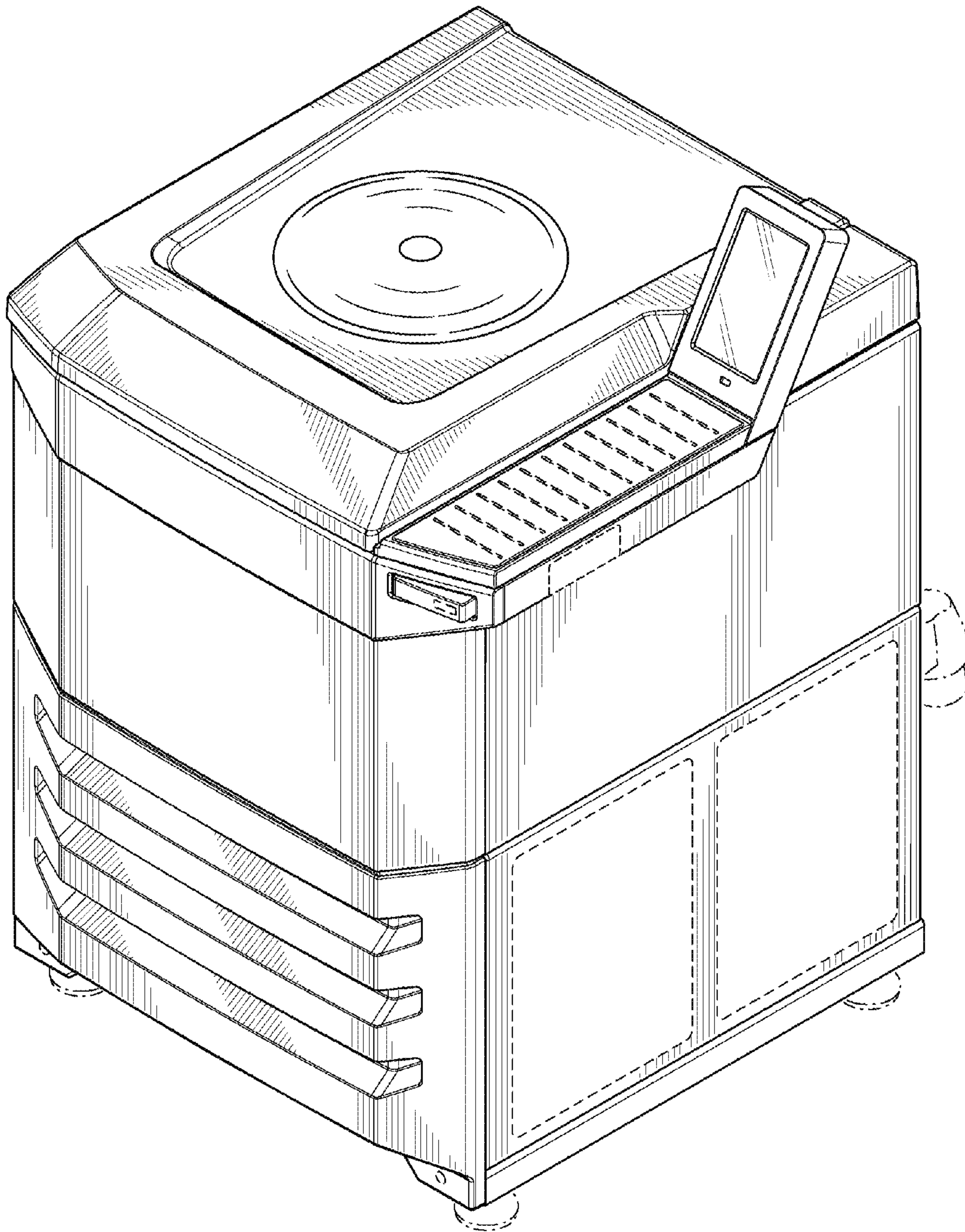


FIG. 1

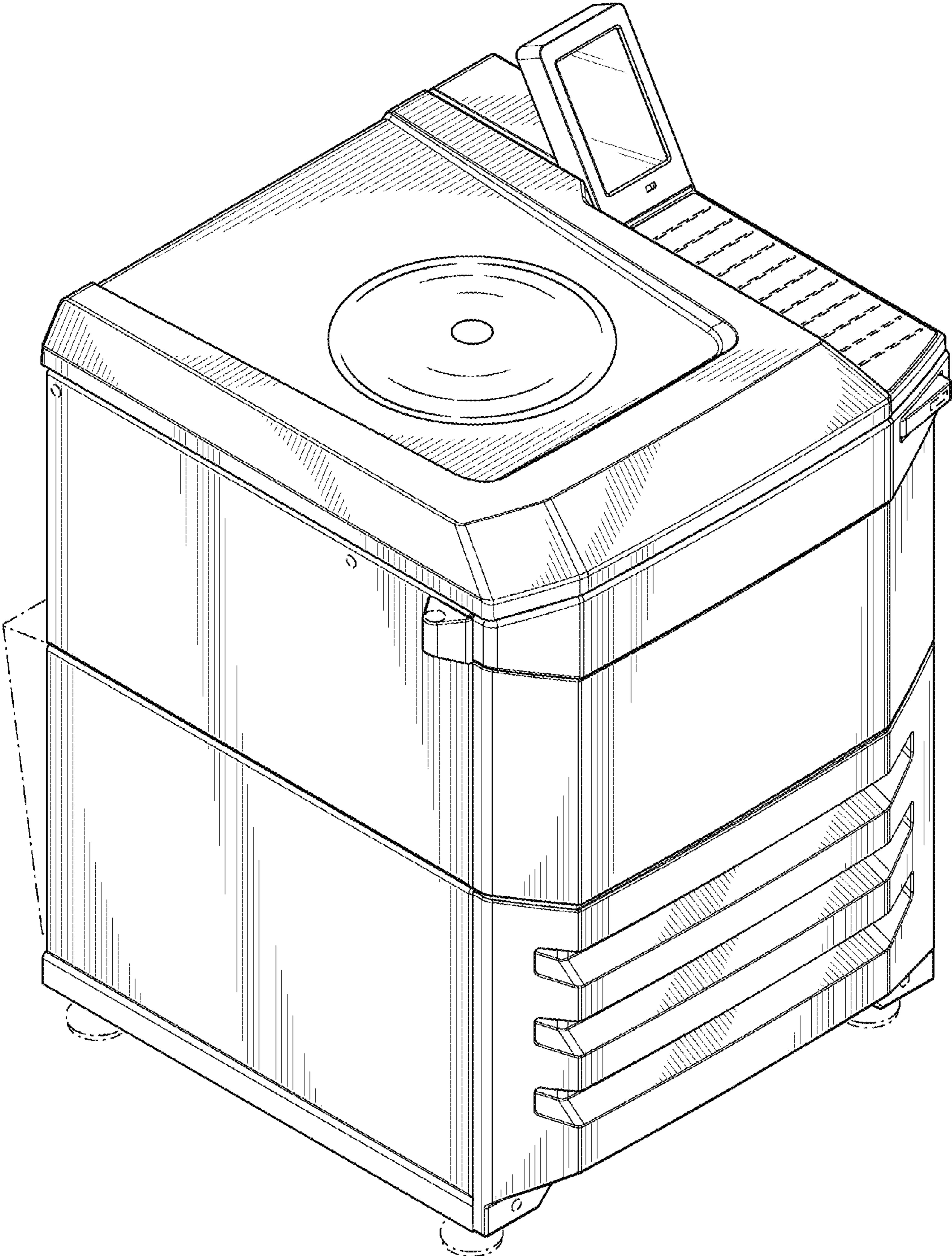


FIG. 2

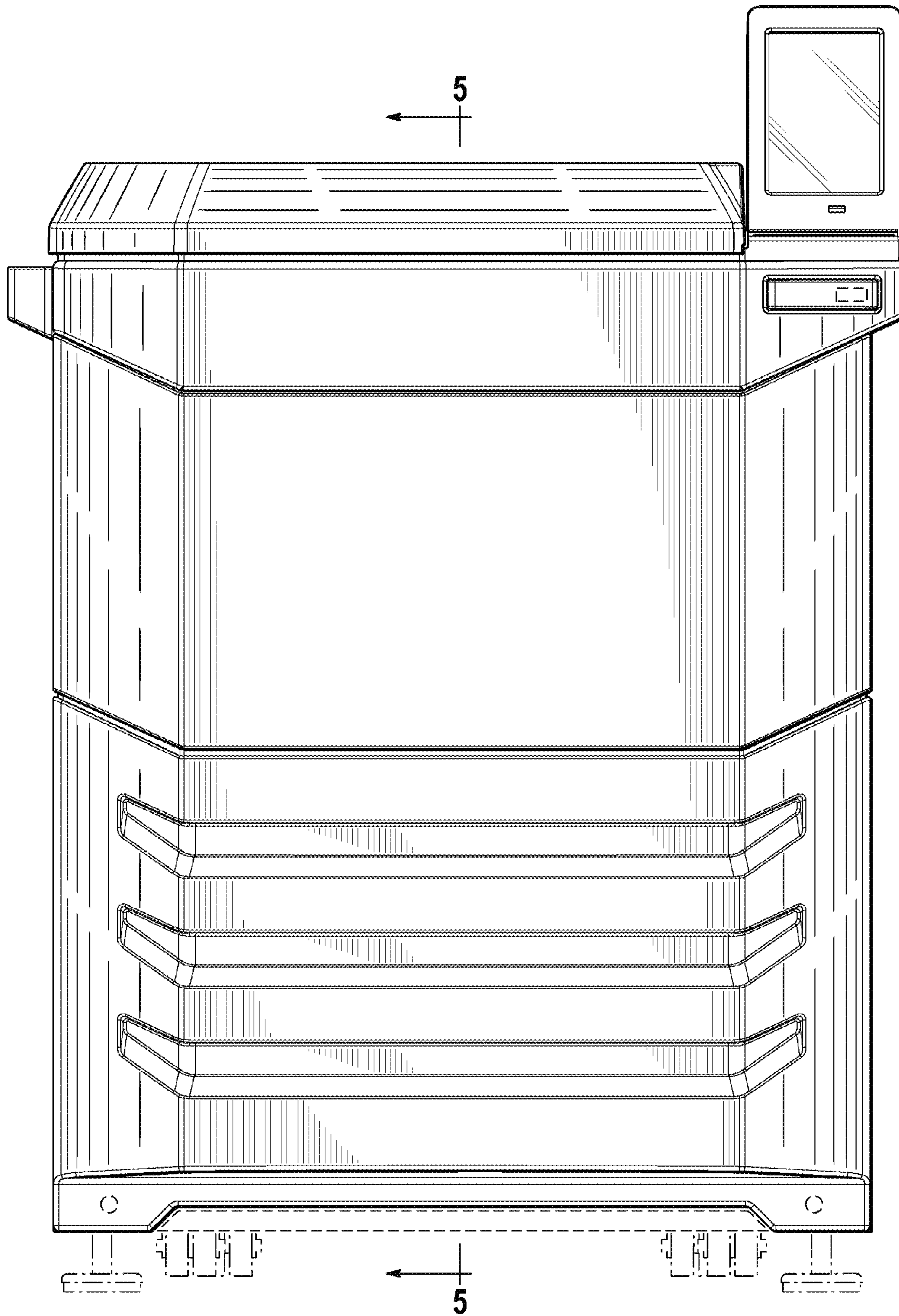


FIG. 3

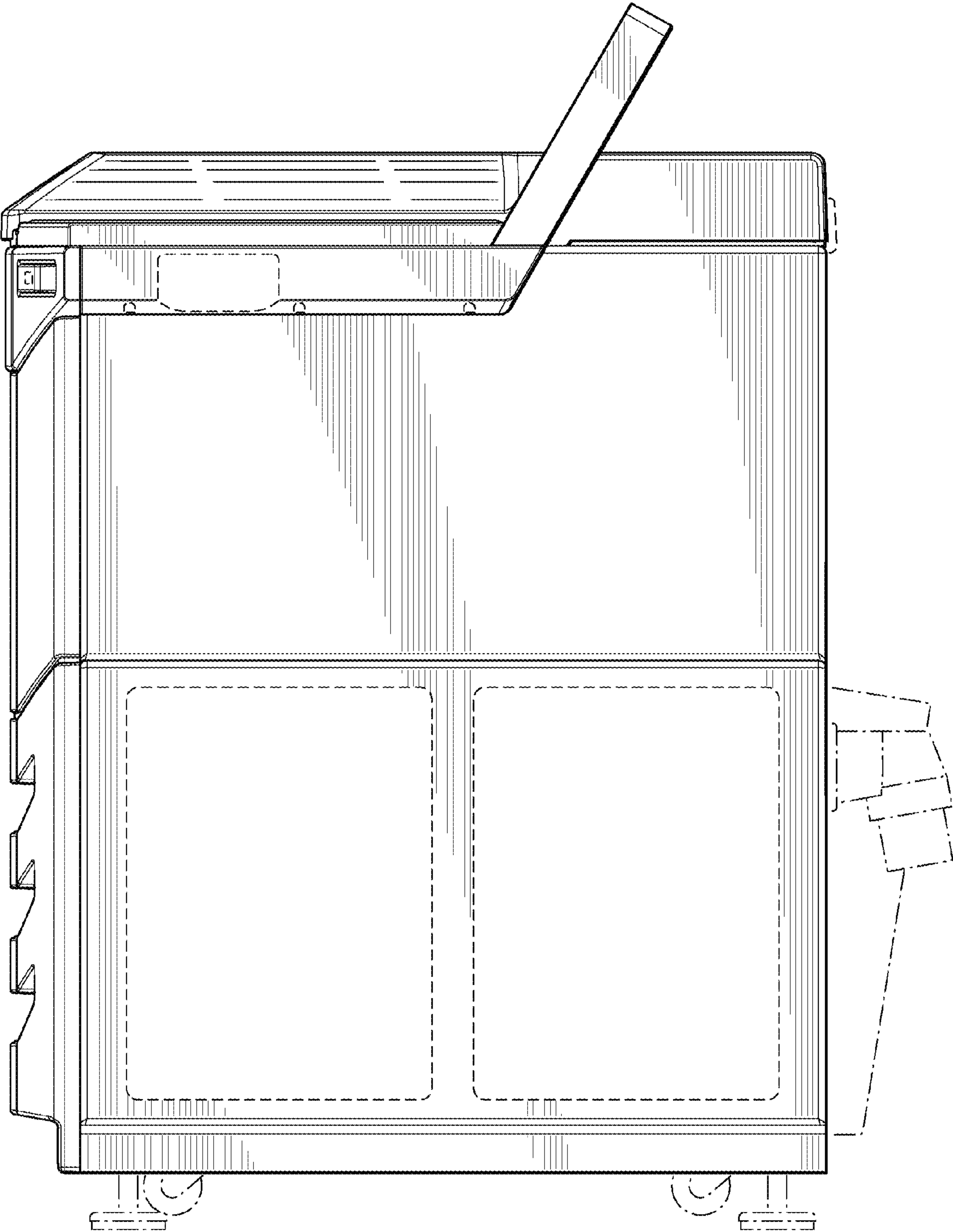


FIG. 4

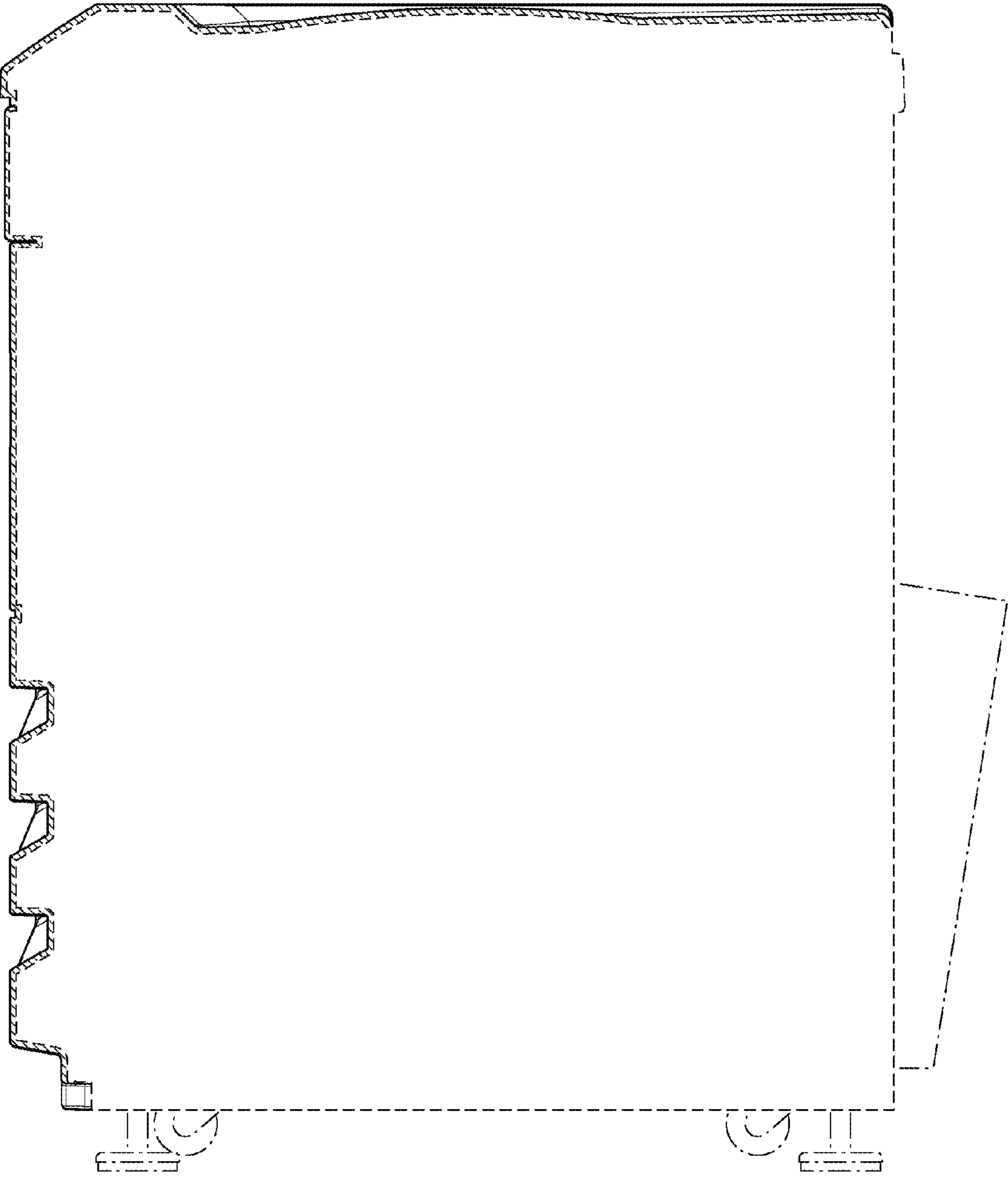


FIG. 5

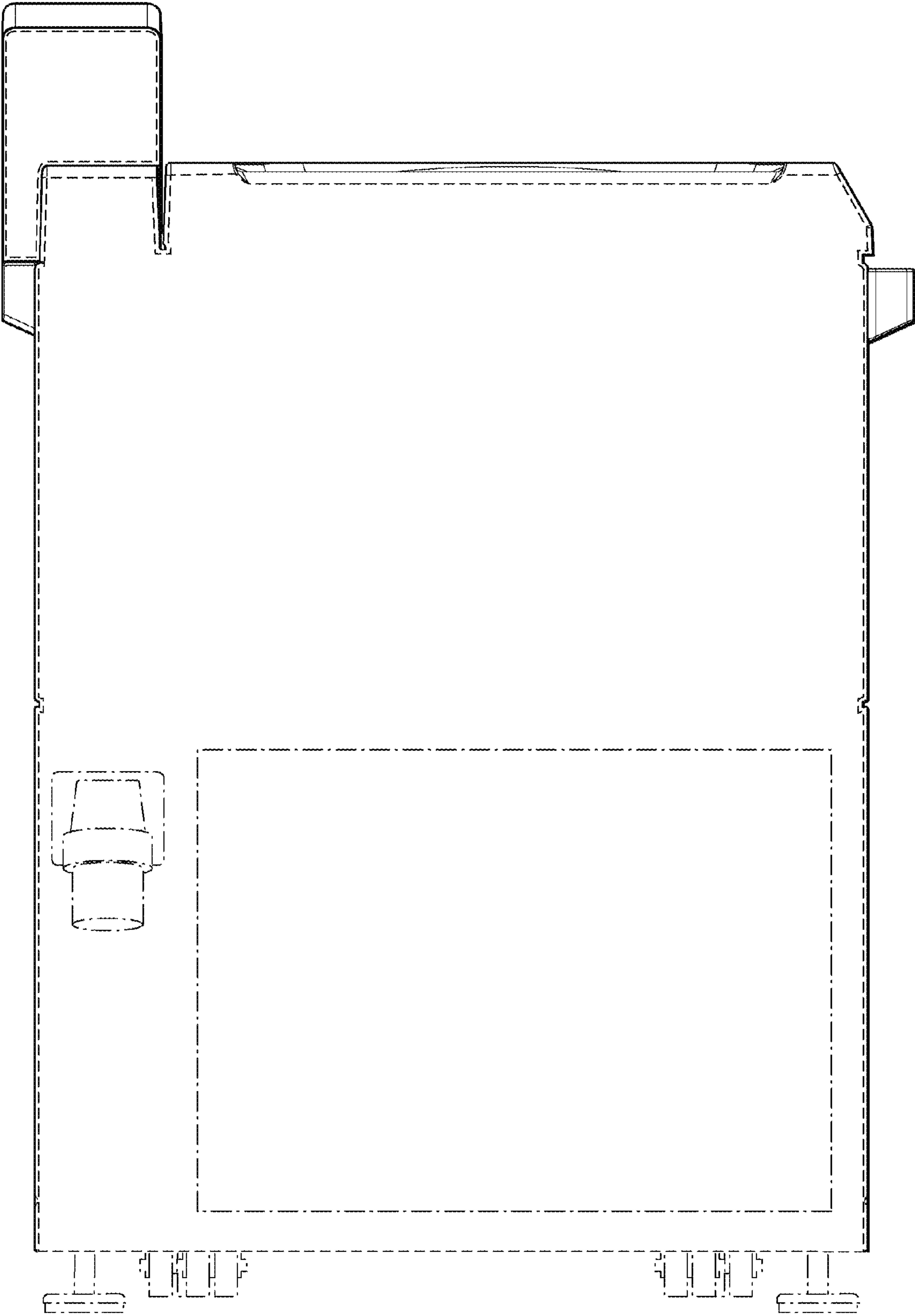


FIG. 6

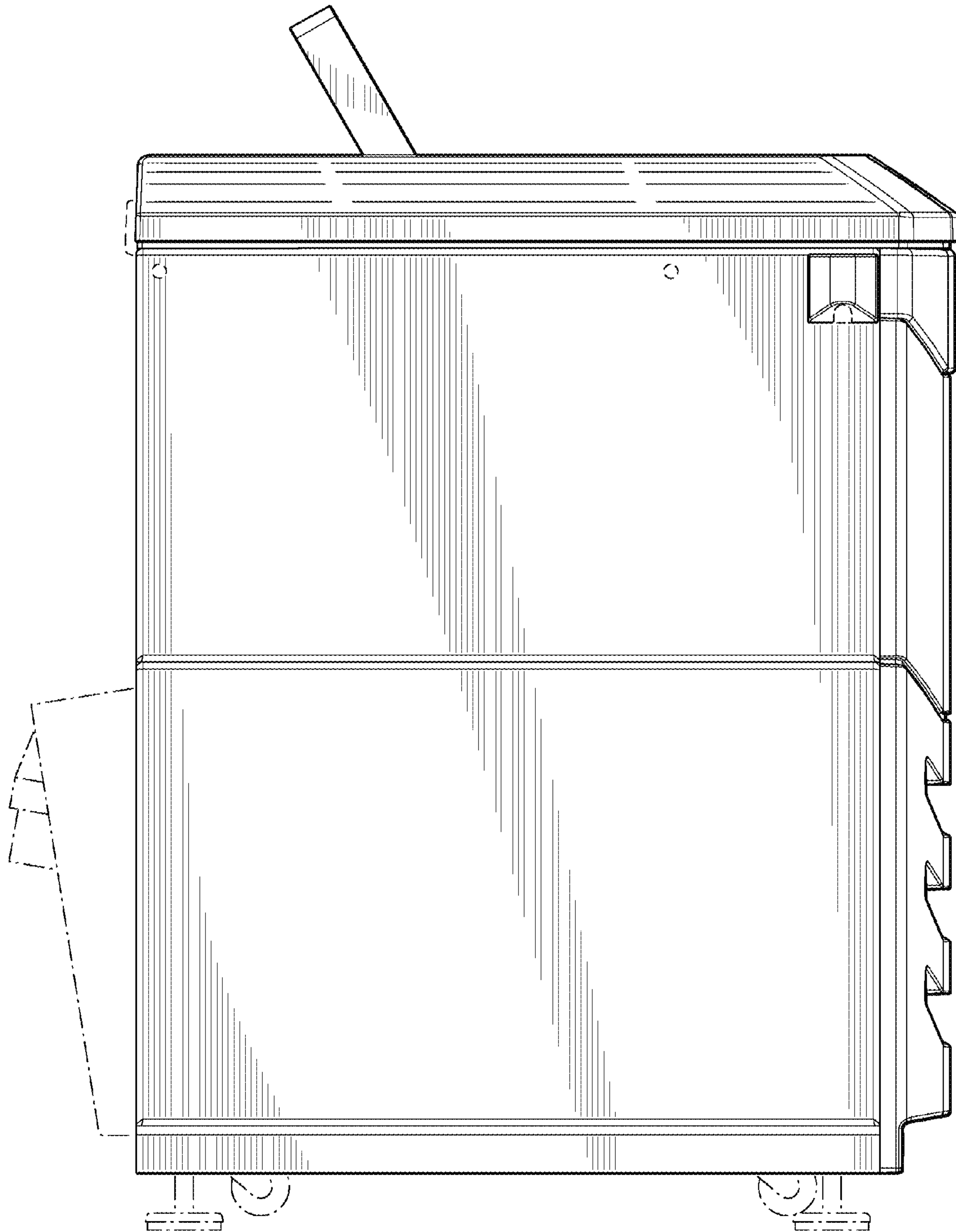


FIG. 7

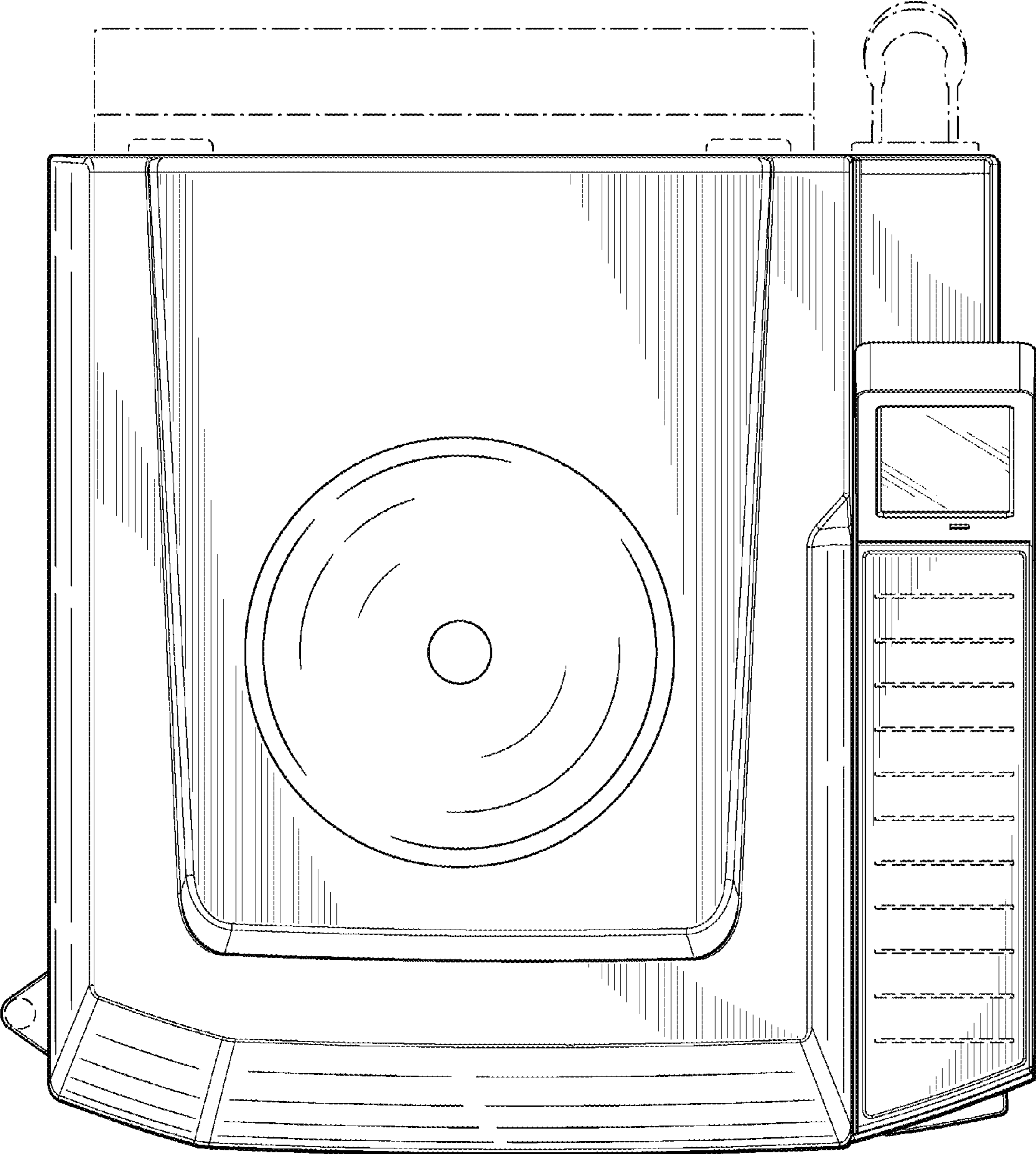


FIG. 8