



US00D681228S

(12) **United States Design Patent**  
**Oonuma et al.**

(10) **Patent No.:** **US D681,228 S**  
(45) **Date of Patent:** **\*\* Apr. 30, 2013**

(54) **INPUT AND OUTPUT BUFFER MODULE FOR CLINICAL ANALYZER**

FOREIGN PATENT DOCUMENTS

JP D 1241032 S 5/2005

(75) Inventors: **Mitsuru Oonuma**, Tokyo (JP); **Hitoshi Tokieda**, Hitachinaka (JP); **Takenori Okusa**, Mito (JP); **Miki Taki**, Hitachinaka (JP); **Hiroyuki Noda**, Musashino (JP)

OTHER PUBLICATIONS

U.S. Appl. No. 29/427,876, filed Jul. 24, 2012, Oonuma et al., copending.  
U.S. Appl. No. 29/427,880, filed Jul. 24, 2012, Oonuma et al., copending.

(73) Assignee: **Hitachi High-Technologies Corporation**, Tokyo (JP)

\* cited by examiner

(\*\*) Term: **14 Years**

*Primary Examiner* — Anhdao Doan

(21) Appl. No.: **29/427,878**

(74) *Attorney, Agent, or Firm* — Antonelli, Terry, Stout & Kraus, LLP.

(22) Filed: **Jul. 24, 2012**

(30) **Foreign Application Priority Data**

Mar. 23, 2012 (JP) ..... 2012-006586

(51) **LOC (9) Cl.** ..... **24-01**

(52) **U.S. Cl.**  
USPC ..... **D24/216**

(58) **Field of Classification Search** ..... D24/216,  
D24/217, 219, 231, 232, 107, 169, 186; D10/81;  
422/62-65, 67; 436/43, 45, 47  
See application file for complete search history.

(56) **References Cited**

U.S. PATENT DOCUMENTS

D399,964 S \* 10/1998 Katayama et al. .... D24/186  
D474,416 S 5/2003 Oonuma et al.  
D645,367 S \* 9/2011 Hayashi et al. .... D10/81  
D655,822 S \* 3/2012 Oonuma et al. .... D24/216  
D663,040 S \* 7/2012 Oonuma et al. .... D24/216  
D669,189 S \* 10/2012 Liu et al. .... D24/216  
2007/0104614 A1 \* 5/2007 Wang et al. .... 422/64

(57) **CLAIM**

We claim the ornamental design for an input and output buffer module for clinical analyzer, as shown and described.

**DESCRIPTION**

FIG. 1 is a front, top and right side perspective view of an input and output buffer module for clinical analyzer showing our new design;

FIG. 2 is a front elevational view thereof;

FIG. 3 is a rear elevational view thereof;

FIG. 4 is a left side elevational view thereof;

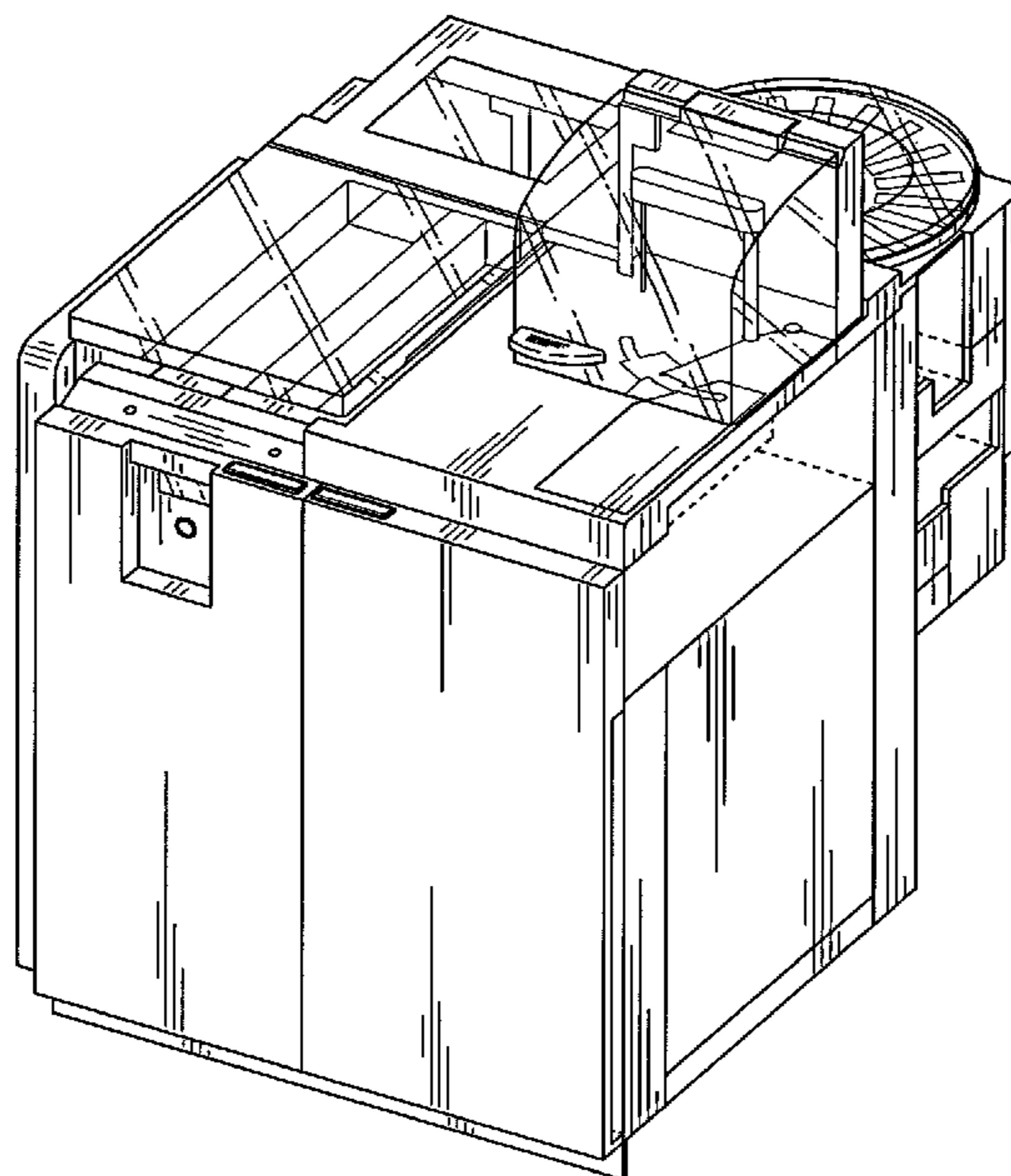
FIG. 5 is a right side elevational view thereof;

FIG. 6 is a top plan view thereof; and,

FIG. 7 is a bottom plan view thereof.

The broken lines in the drawing views are included for the purpose of illustrating portions of the input and output buffer module for clinical analyzer that form no part of the claimed design.

**1 Claim, 4 Drawing Sheets**



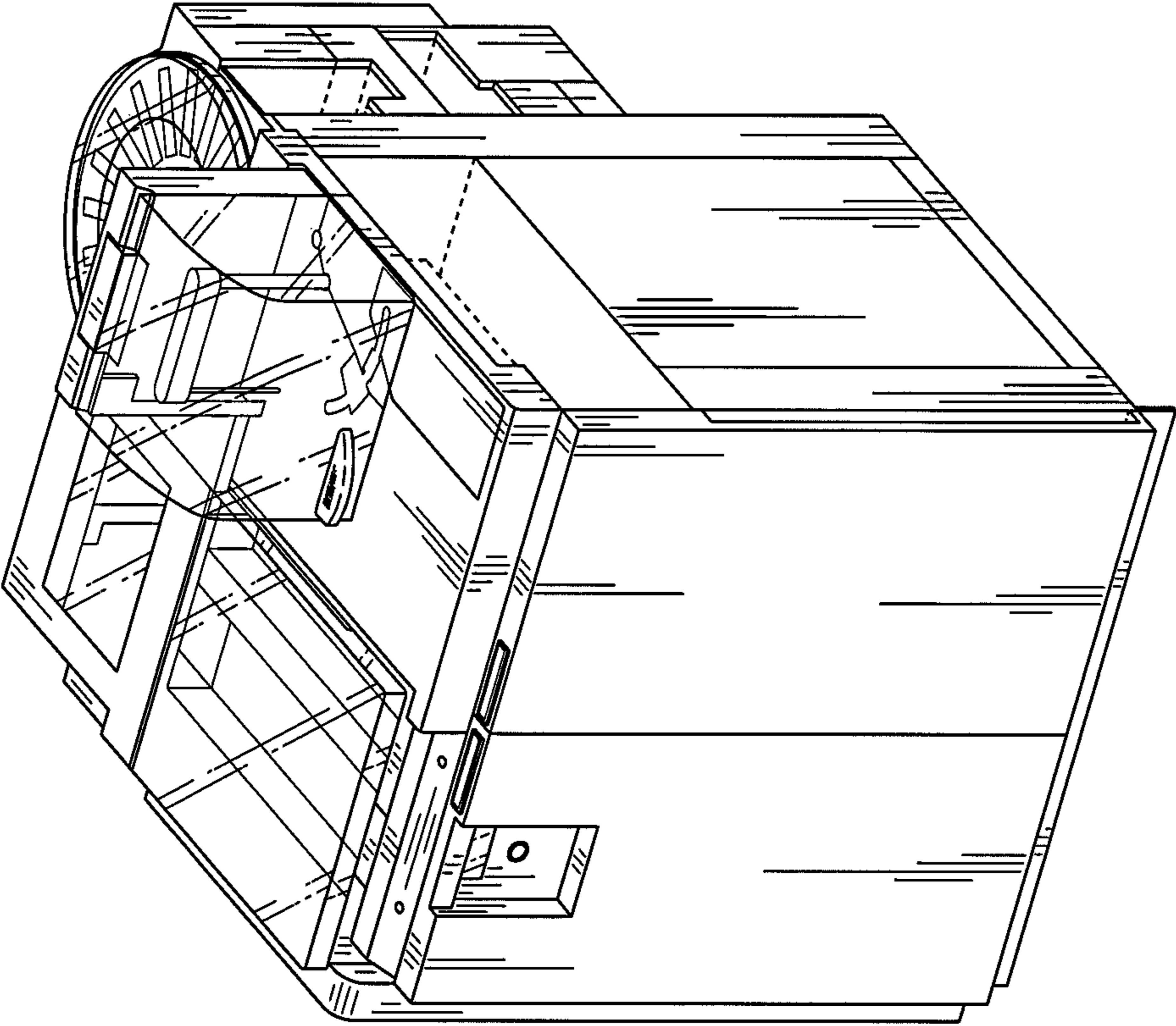


FIG. 1

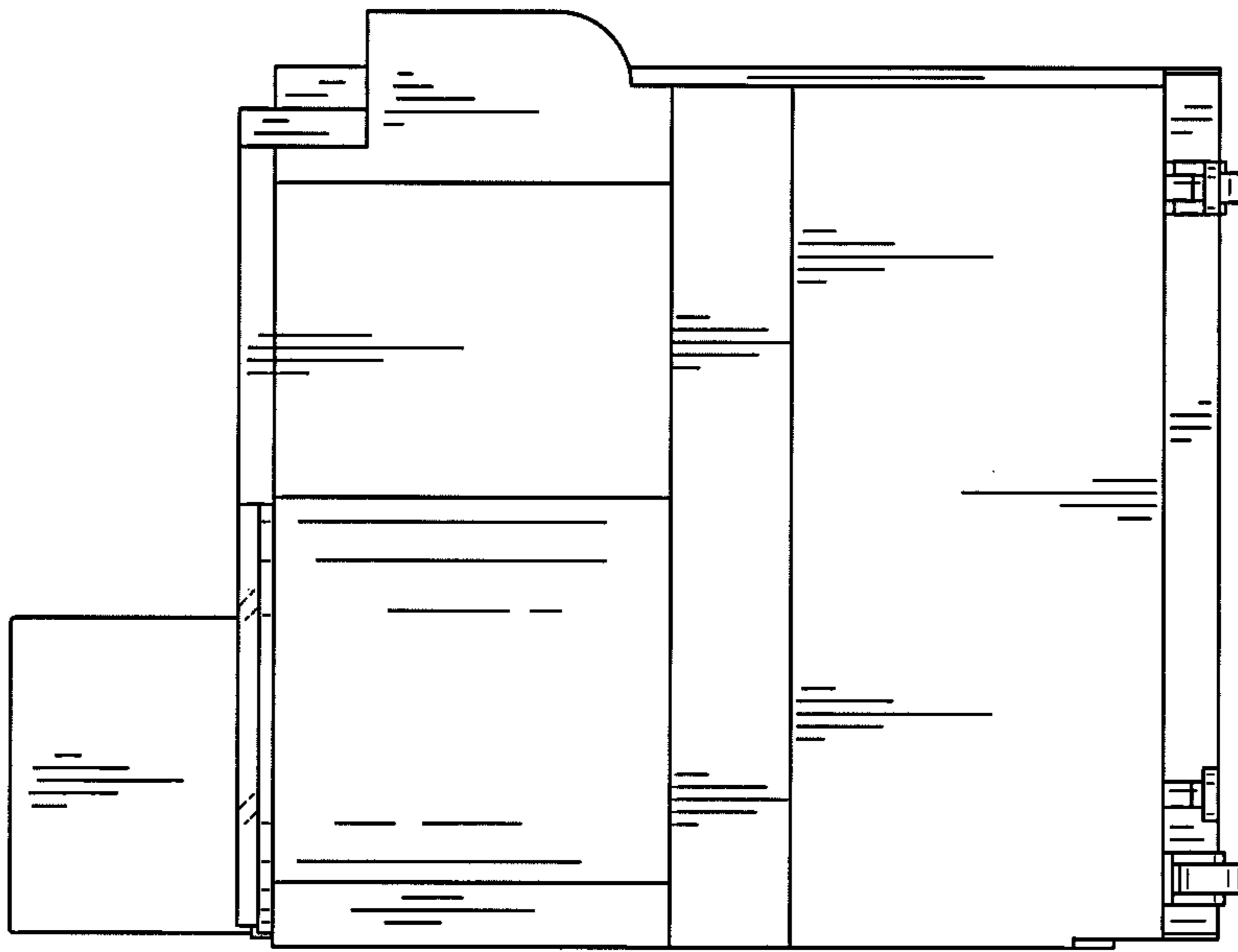


FIG. 3

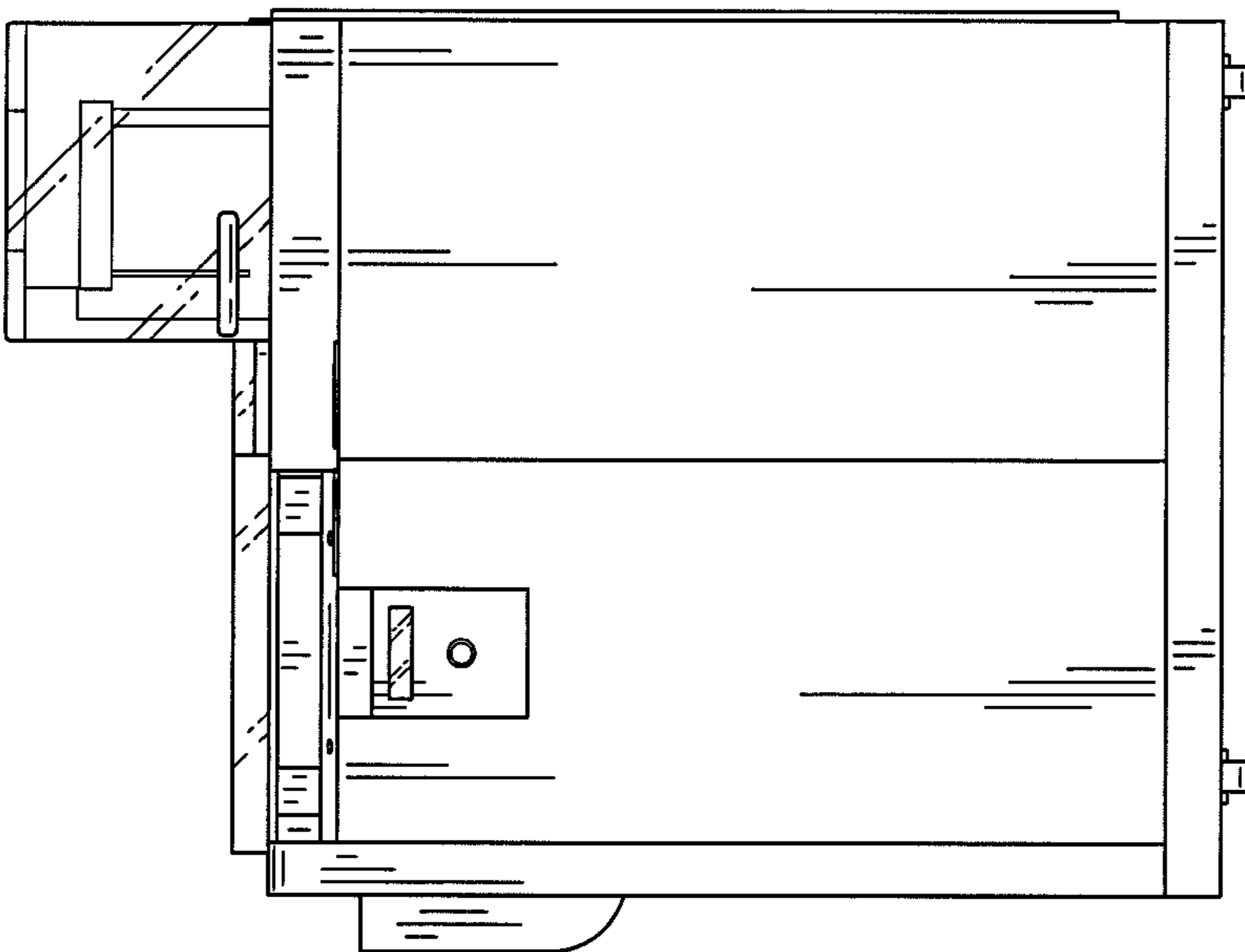


FIG. 2

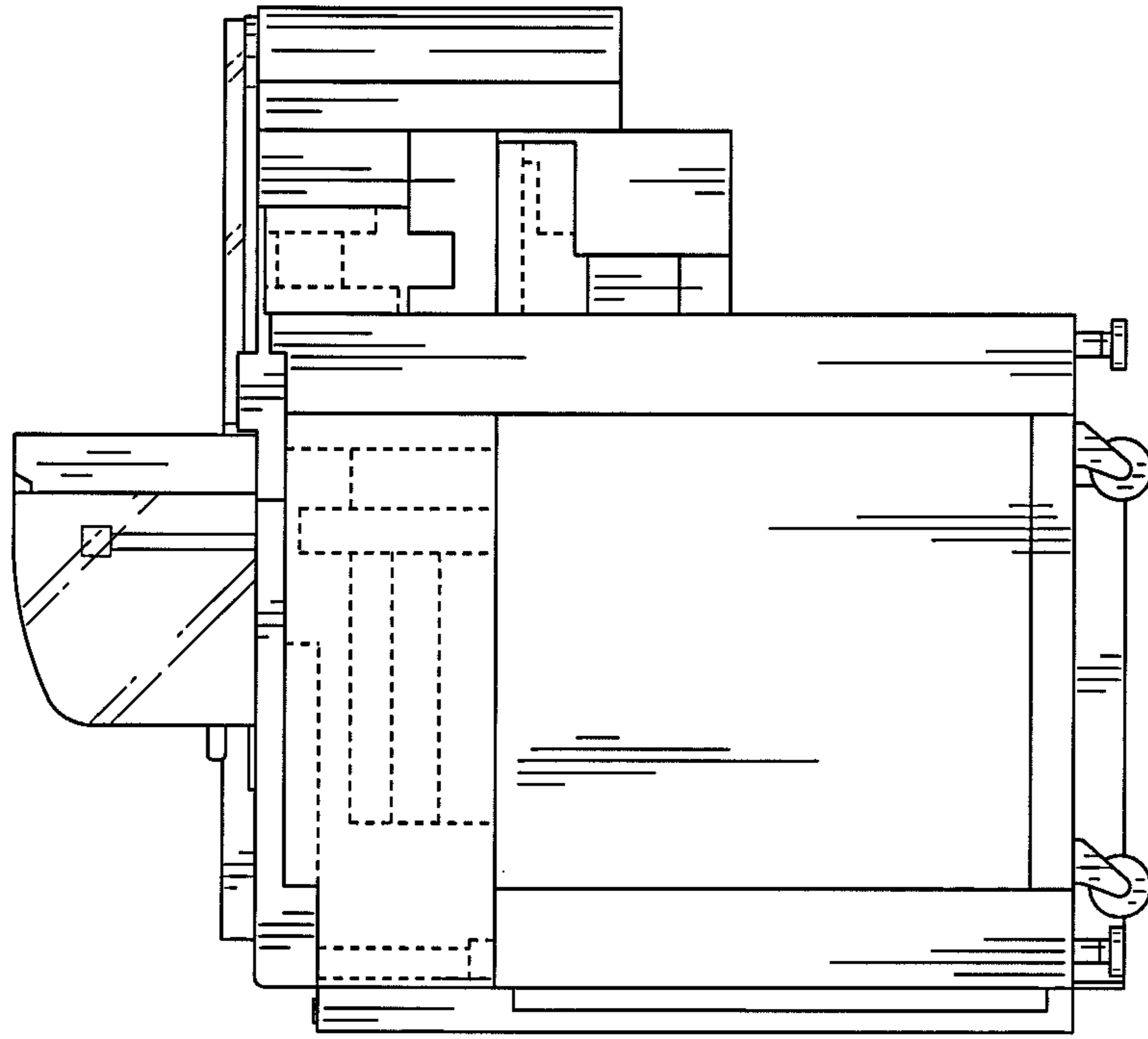


FIG. 4

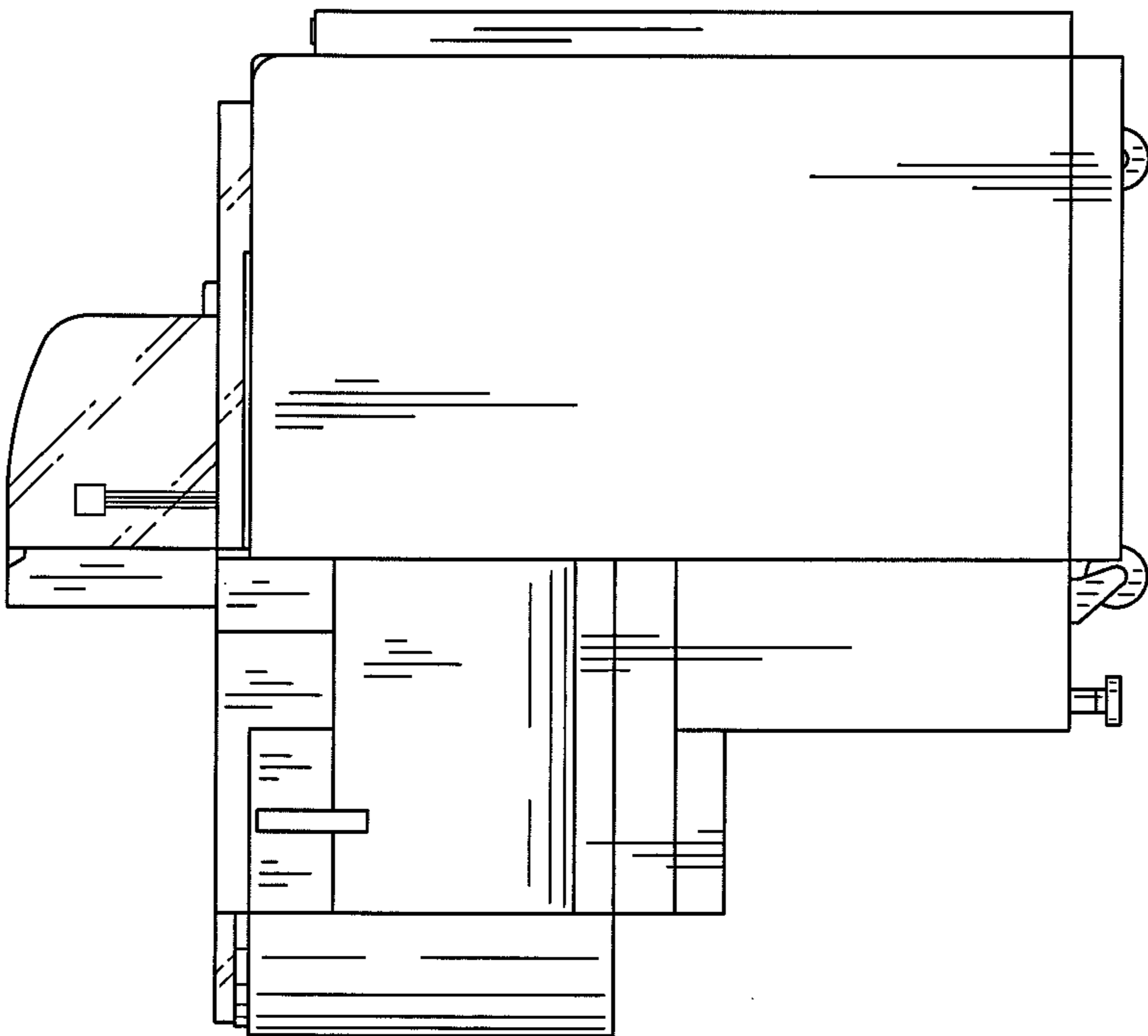


FIG. 5

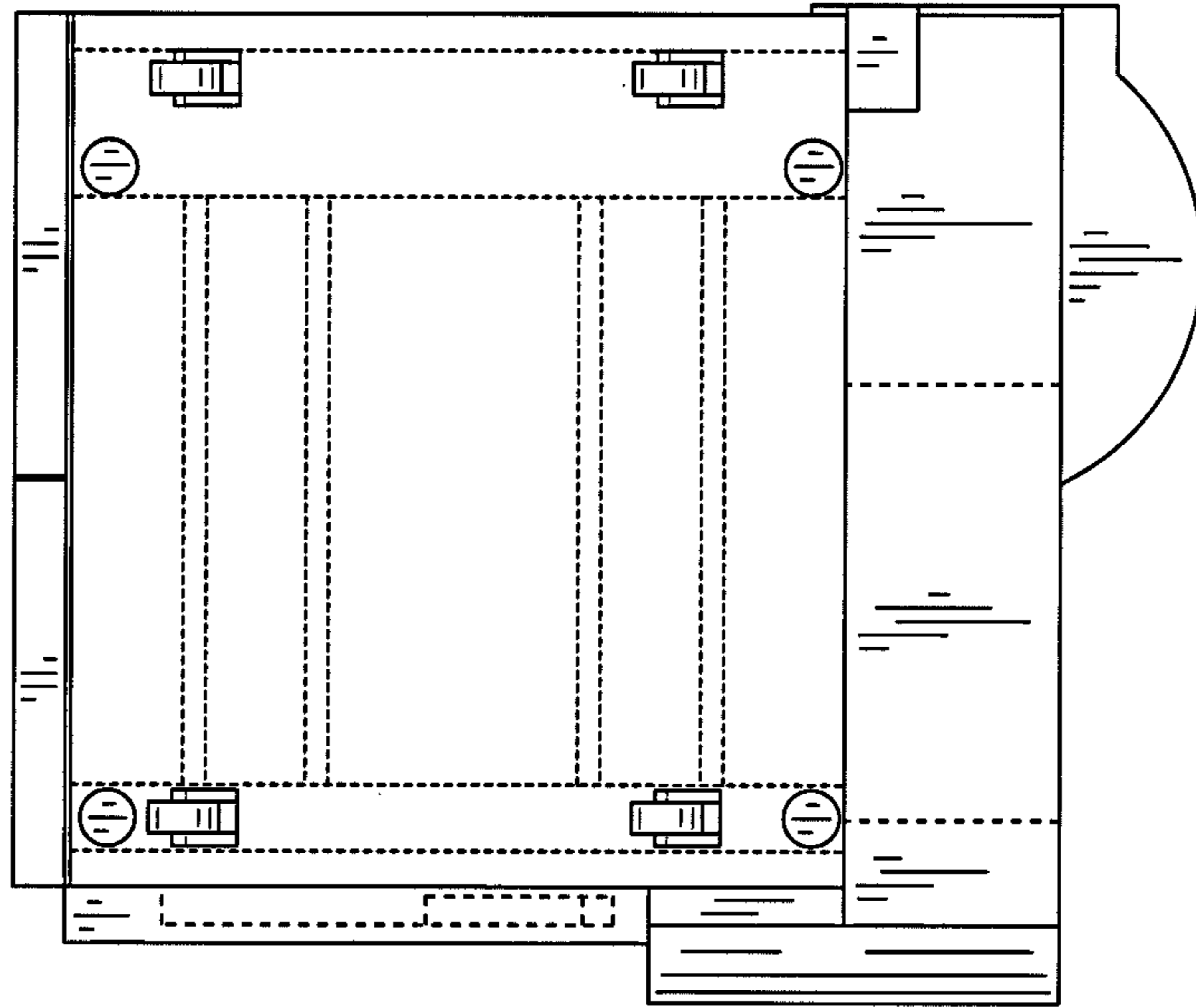


FIG. 7

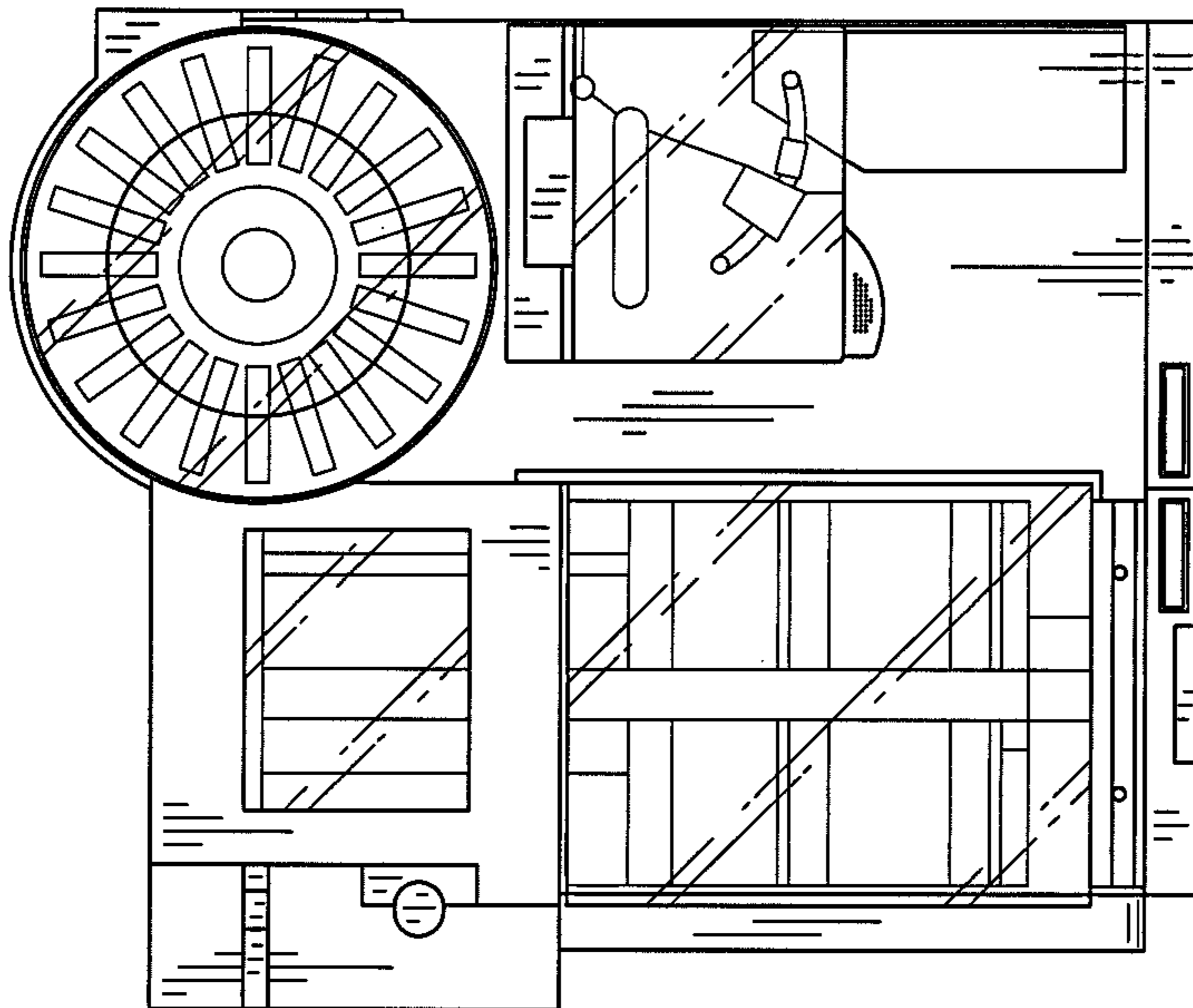


FIG. 6