



US00D681226S

(12) **United States Design Patent**
Oonuma et al.

(10) **Patent No.:** **US D681,226 S**
(45) **Date of Patent:** **** Apr. 30, 2013**

(54) **CLINICAL ANALYZER**

(75) Inventors: **Mitsuru Oonuma**, Tokyo (JP); **Hitoshi Tokieda**, Hitachinaka (JP); **Takenori Okusa**, Mito (JP); **Miki Taki**, Hitachinaka (JP); **Hiroyuki Noda**, Musashino (JP)

(73) Assignee: **Hitachi High-Technologies Corporation**, Tokyo (JP)

(**) Term: **14 Years**

(21) Appl. No.: **29/427,876**

(22) Filed: **Jul. 24, 2012**

(30) **Foreign Application Priority Data**

Mar. 23, 2012 (JP) 2012-006584

(51) **LOC (9) Cl.** **24-01**

(52) **U.S. Cl.**
USPC **D24/216**

(58) **Field of Classification Search** D24/216,
D24/217, 219, 231, 232, 107, 169, 186; D10/81;
422/62-65, 67; 436/43, 45, 47
See application file for complete search history.

(56) **References Cited**

U.S. PATENT DOCUMENTS

D399,964 S *	10/1998	Katayama et al.	D24/186
D474,416 S	5/2003	Oonuma et al.	
D645,367 S *	9/2011	Hayashi et al.	D10/81
D655,822 S *	3/2012	Oonuma et al.	D24/216
D663,040 S *	7/2012	Oonuma et al.	D24/216
D669,189 S *	10/2012	Liu et al.	D24/216
2007/0104614 A1 *	5/2007	Wang et al.	422/64

FOREIGN PATENT DOCUMENTS

JP	D1241032 S	5/2005
JP	D1241034 S	5/2005

OTHER PUBLICATIONS

Co-pending U.S. Appl. No. 29/427,877, filed Jul. 24, 2012, Oonuma et al.
Co-pending U.S. Appl. No. 29/427,878, filed Jul. 24, 2012, Oonuma et al.

* cited by examiner

Primary Examiner — Anhdao Doan

(74) *Attorney, Agent, or Firm* — Antonelli, Terry, Stout & Kraus, LLP.

(57) **CLAIM**

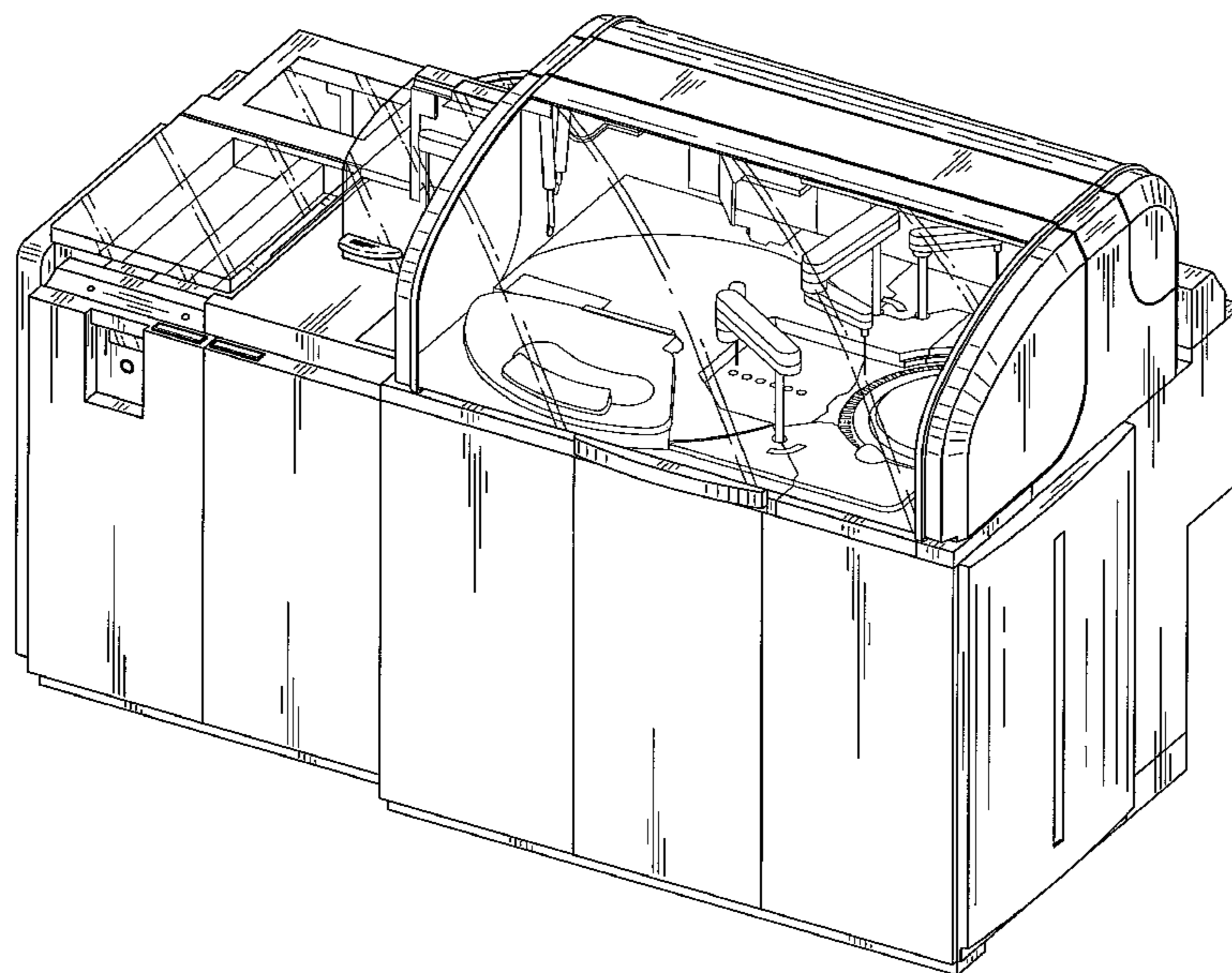
We claim the ornamental design for a clinical analyzer, as shown and described.

DESCRIPTION

FIG. 1 is a front, top and right side perspective view of a clinical analyzer showing our new design; FIG. 2 is a front elevational view thereof; FIG. 3 is a rear elevational view thereof; FIG. 4 is a left side elevational view thereof; FIG. 5 is a right side elevational view thereof; FIG. 6 is a top plan view thereof; FIG. 7 is a bottom plan view thereof; FIG. 8 is a front, top and right side perspective view thereof shown in an opened position; and, FIG. 9 is a right side elevational view thereof shown in another opened position.

The broken lines in the drawing views are included for the purpose of illustrating portions of the clinical analyzer that form no part of the claimed design.

1 Claim, 8 Drawing Sheets



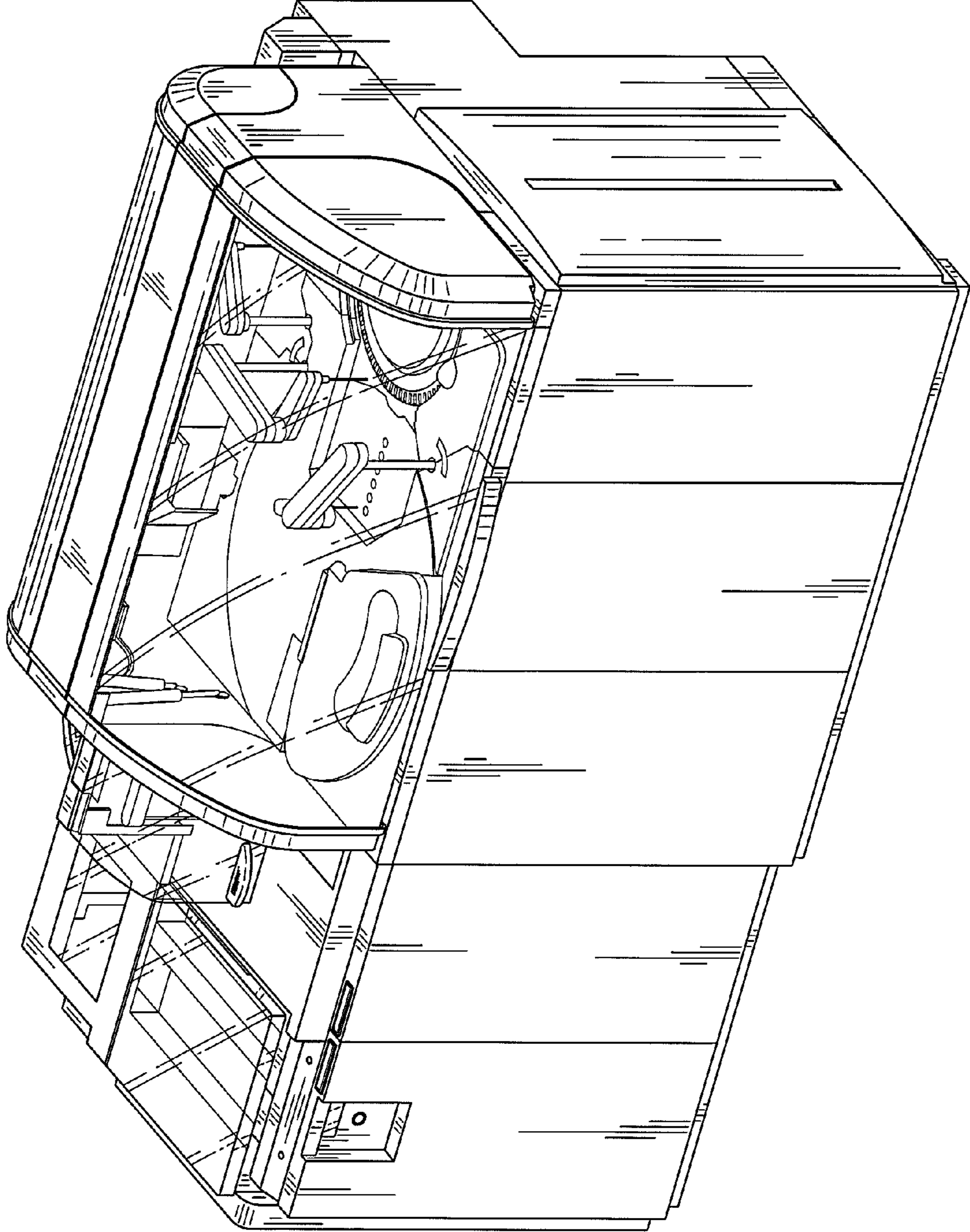


FIG. 1

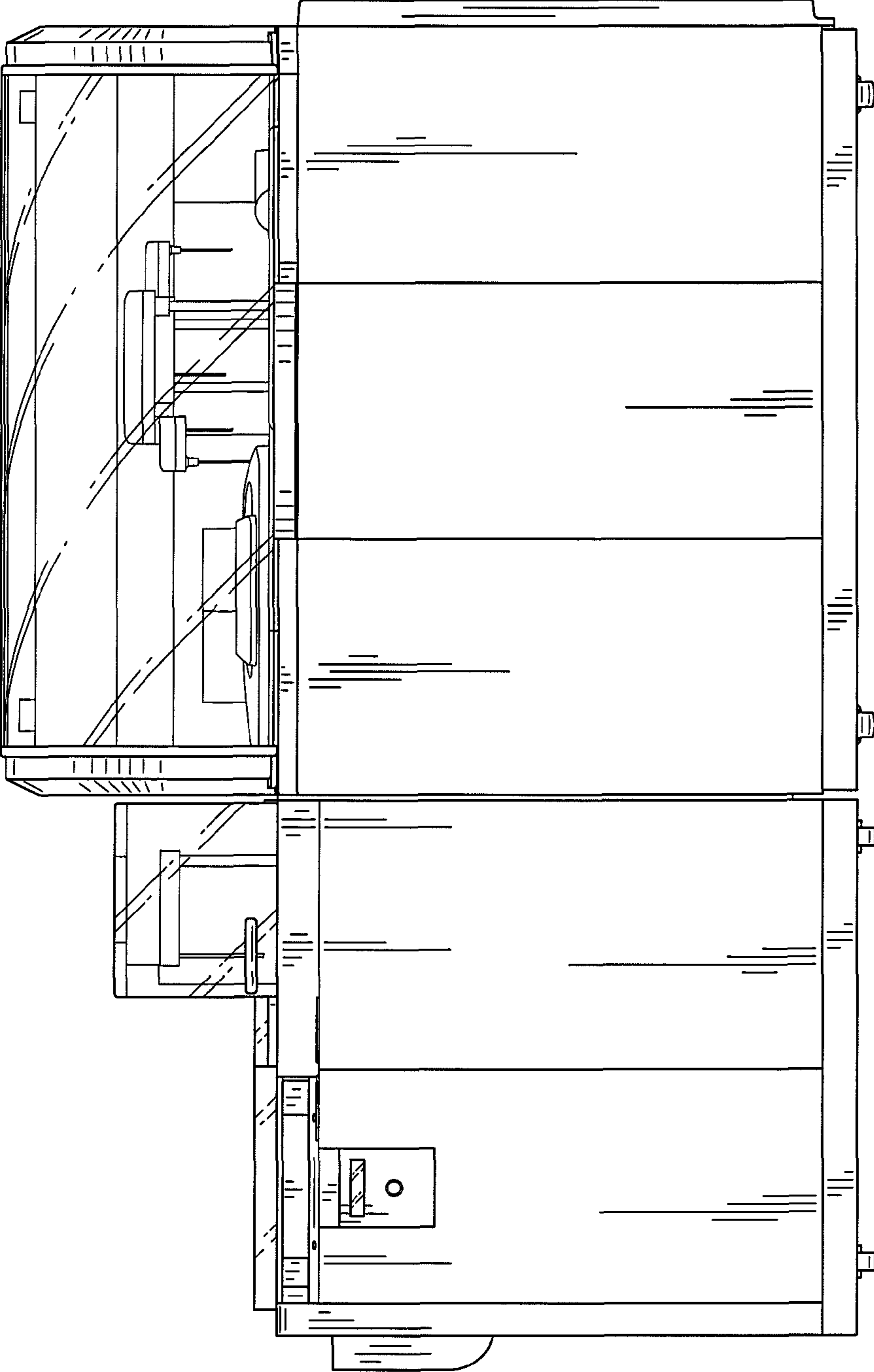


FIG. 2

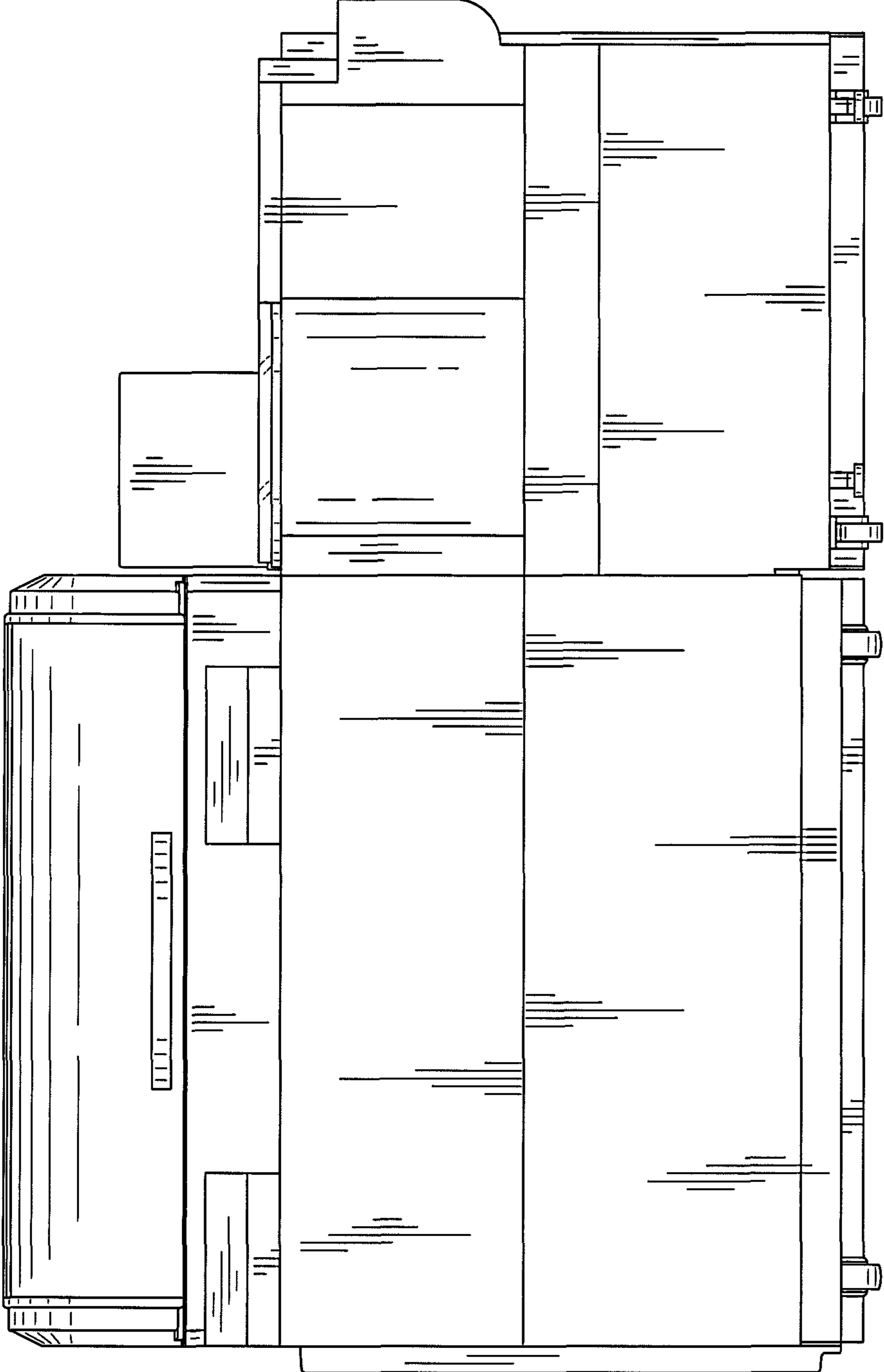


FIG. 3

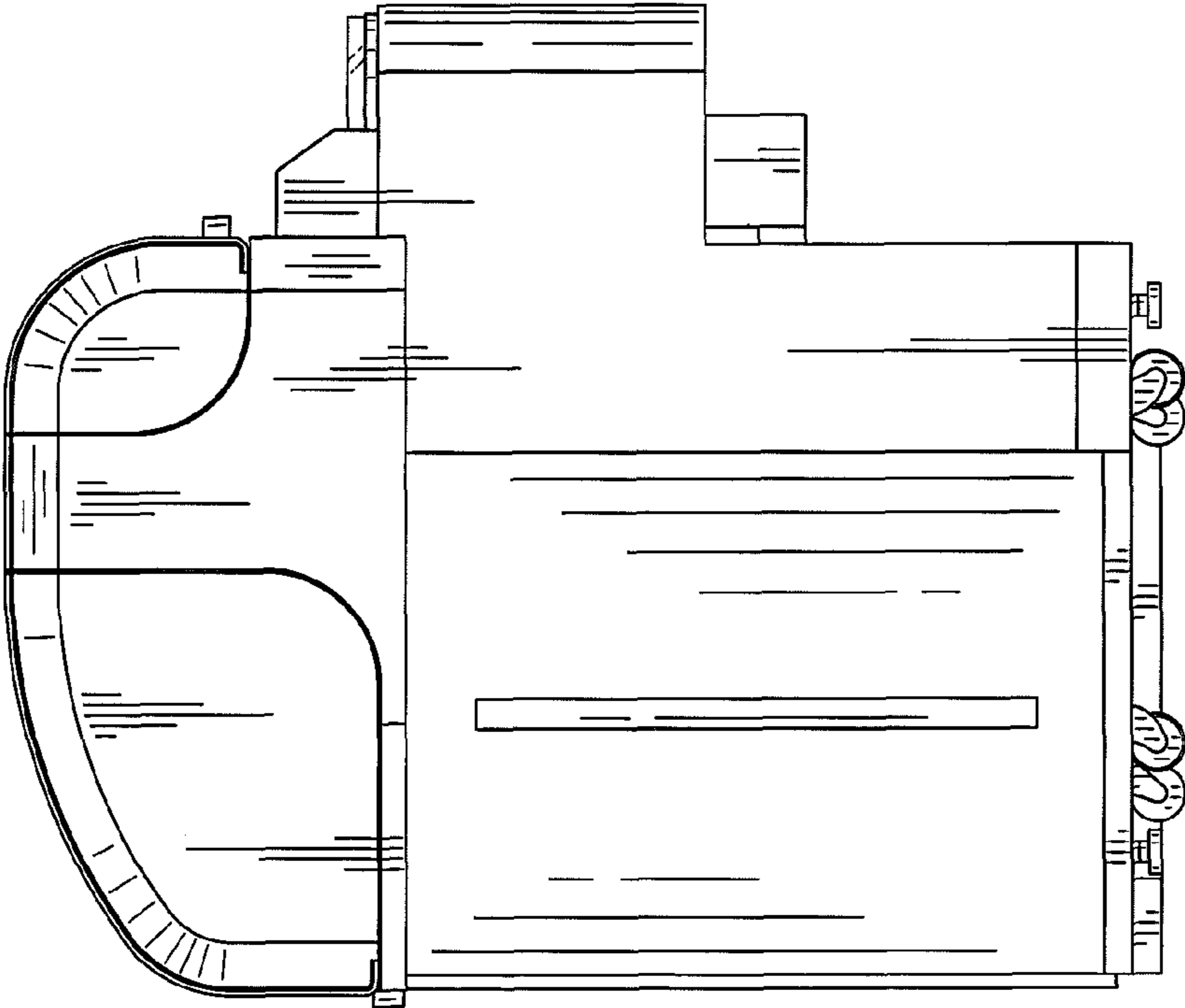


FIG. 5

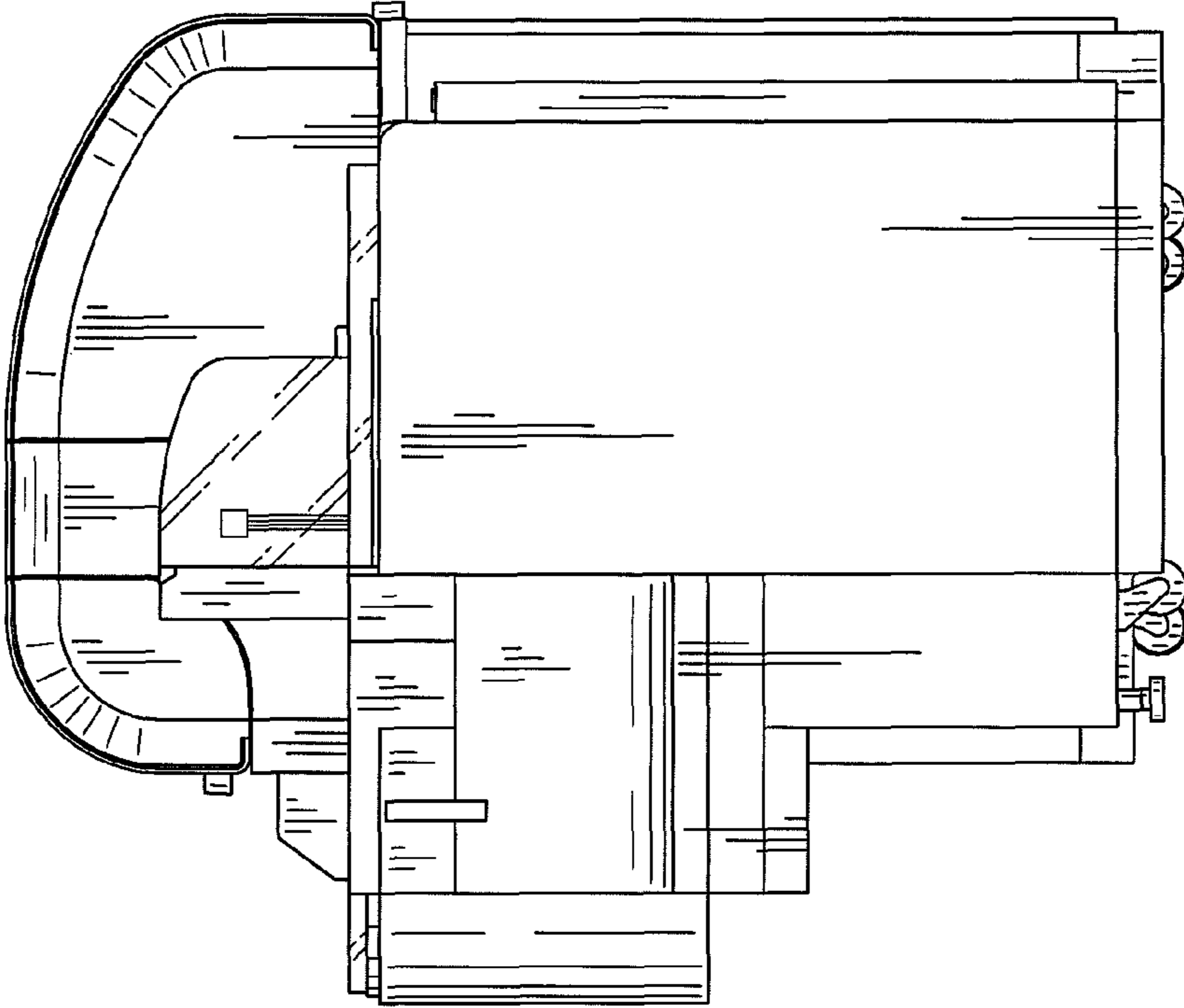


FIG. 4

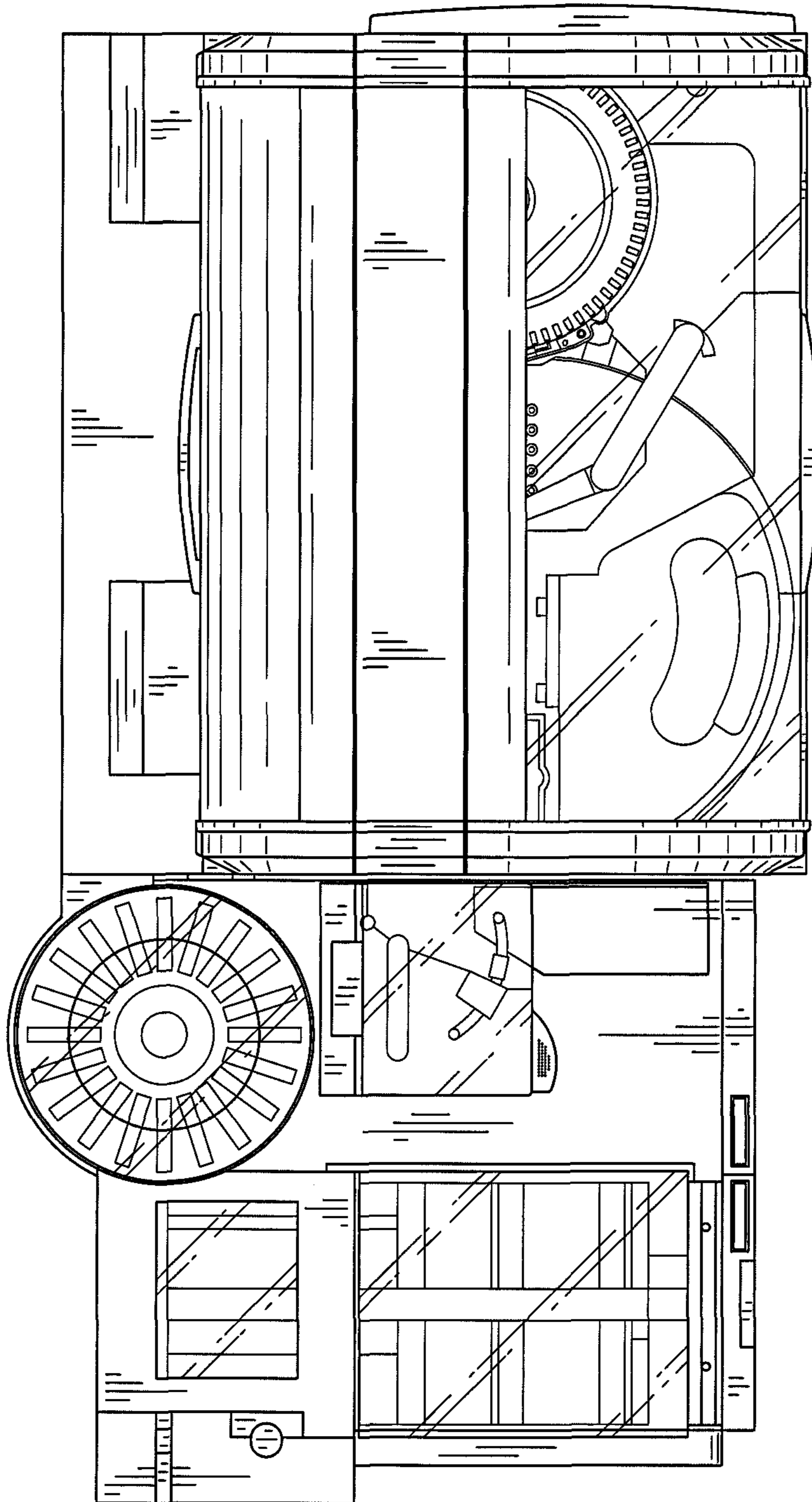


FIG. 6

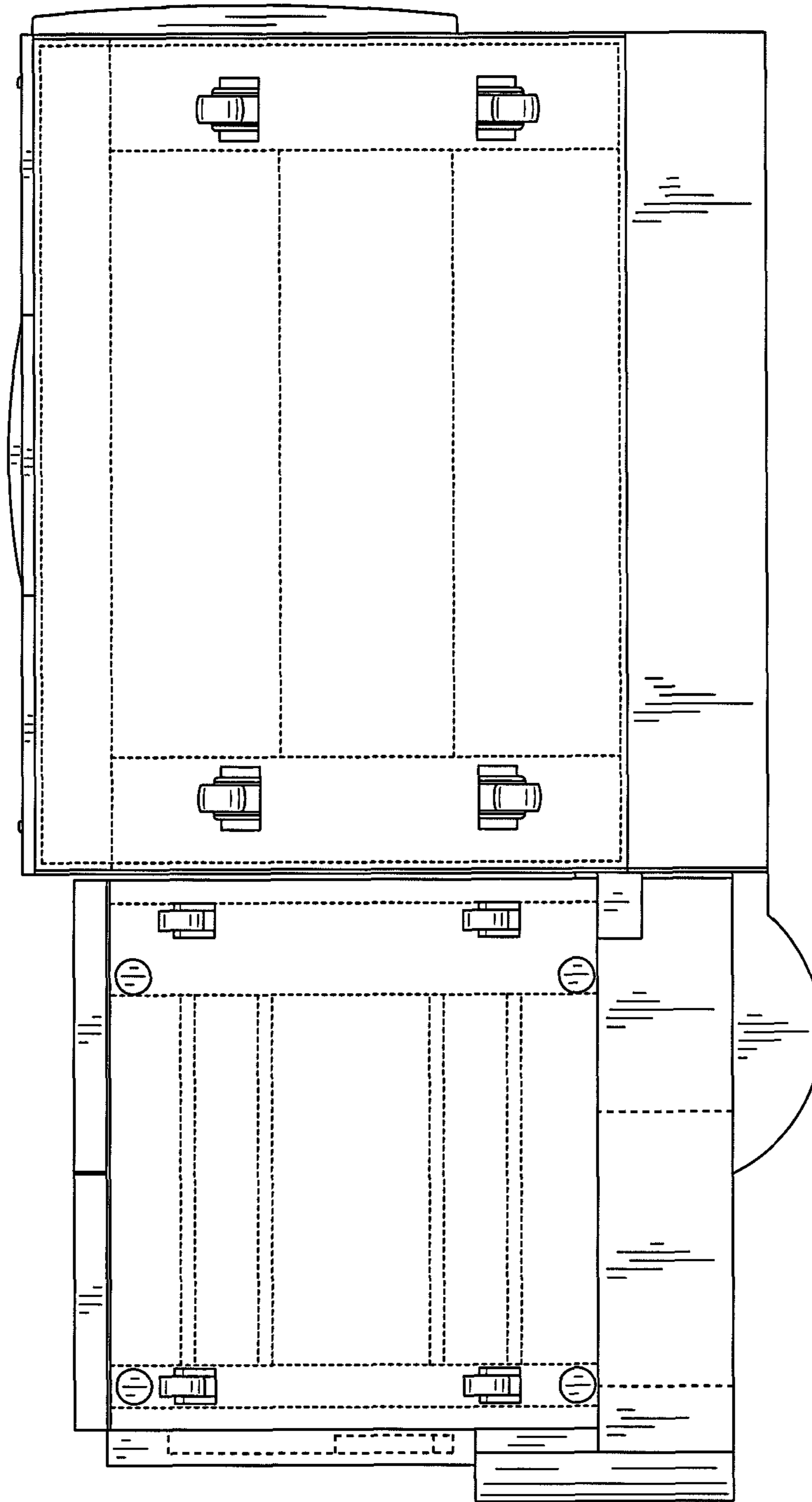


FIG. 7

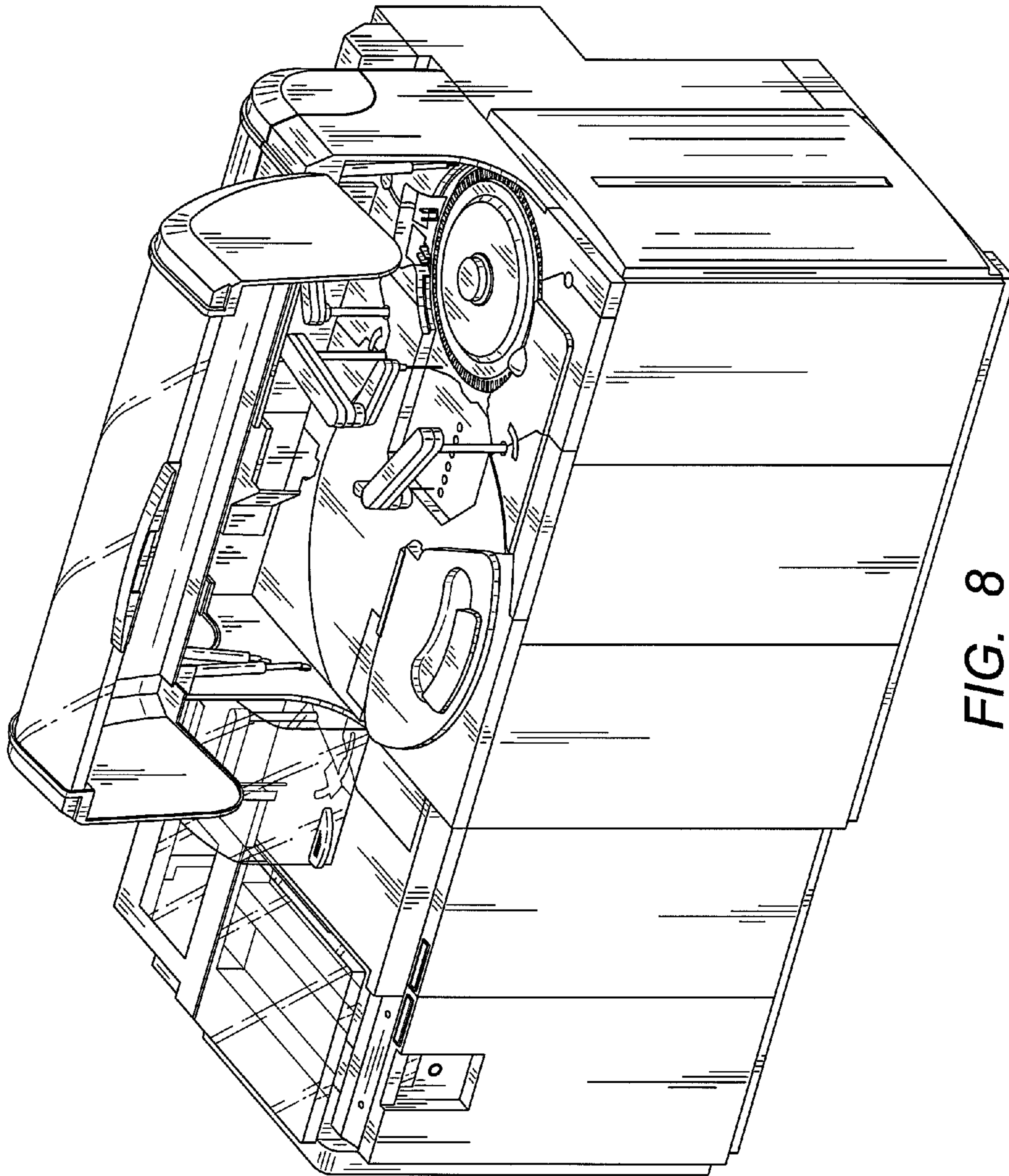


FIG. 8

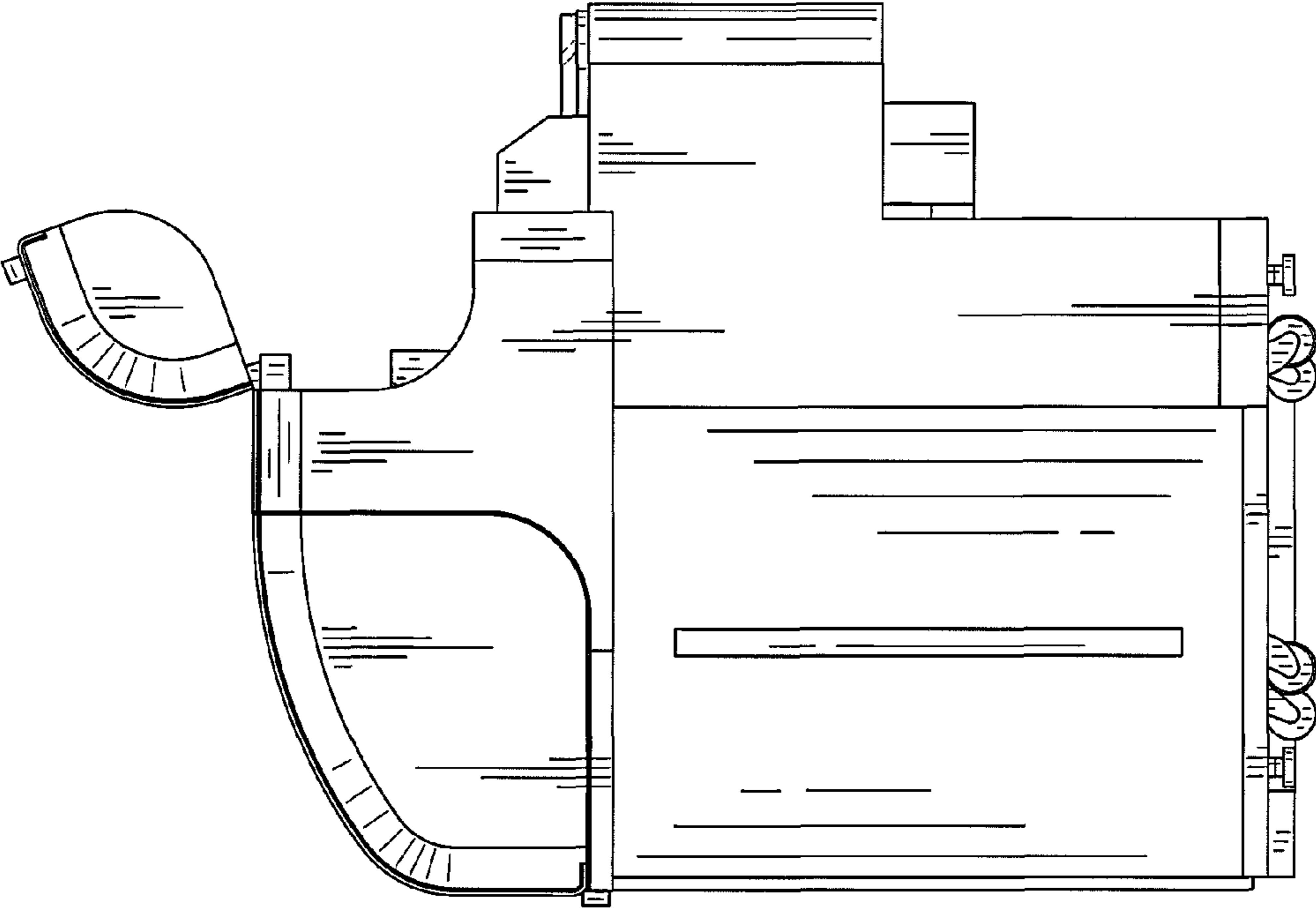


FIG. 9