



US00D681222S

(12) **United States Design Patent**
Chen

(10) **Patent No.:** **US D681,222 S**

(45) **Date of Patent:** **** Apr. 30, 2013**

(54) **VIBRATOR**

(76) Inventor: **Xueliang Chen**, Liaoyang (CN)

(**) Term: **14 Years**

(21) Appl. No.: **29/427,919**

(22) Filed: **Jul. 24, 2012**

(51) **LOC (9) Cl.** **28-03**

(52) **U.S. Cl.**
USPC **D24/215**

(58) **Field of Classification Search** D24/200,
D24/211, 212, 213, 214, 215; 601/118, 120,
601/121, 124, 125, 130, 131, 134, 135, 136,
601/137

See application file for complete search history.

(56) **References Cited**

U.S. PATENT DOCUMENTS

D273,132 S	3/1984	Moloff	
D376,650 S	12/1996	Kain	
D426,311 S	6/2000	Horowitz et al.	
D454,959 S	3/2002	Harris et al.	
D466,217 S *	11/2002	Harris et al.	D24/215
D476,087 S	6/2003	Dirks et al.	
D495,423 S	8/2004	Nan	
D495,424 S	8/2004	Nan	
D495,804 S	9/2004	Nan	
D499,811 S	12/2004	Nan	
6,887,211 B1 *	5/2005	Sevier et al.	601/135
D509,301 S	9/2005	Talbot et al.	

D518,576 S *	4/2006	Sevier et al.	D24/214
D521,648 S *	5/2006	Wang	D24/214
D523,562 S	6/2006	Telford	
D530,429 S *	10/2006	Sevier et al.	D24/214
D539,432 S	3/2007	Nan	
D586,469 S *	2/2009	Henry	D24/200
D610,695 S *	2/2010	Forte	D24/211
D620,601 S	7/2010	TerMeer	
D626,656 S *	11/2010	Jarry	D24/215
D630,761 S	1/2011	Marshall	
D631,973 S	2/2011	Imboden et al.	
D631,974 S	2/2011	Imboden et al.	
D637,305 S *	5/2011	Feuerabend et al.	D24/215

* cited by examiner

Primary Examiner — Sandra Snapp

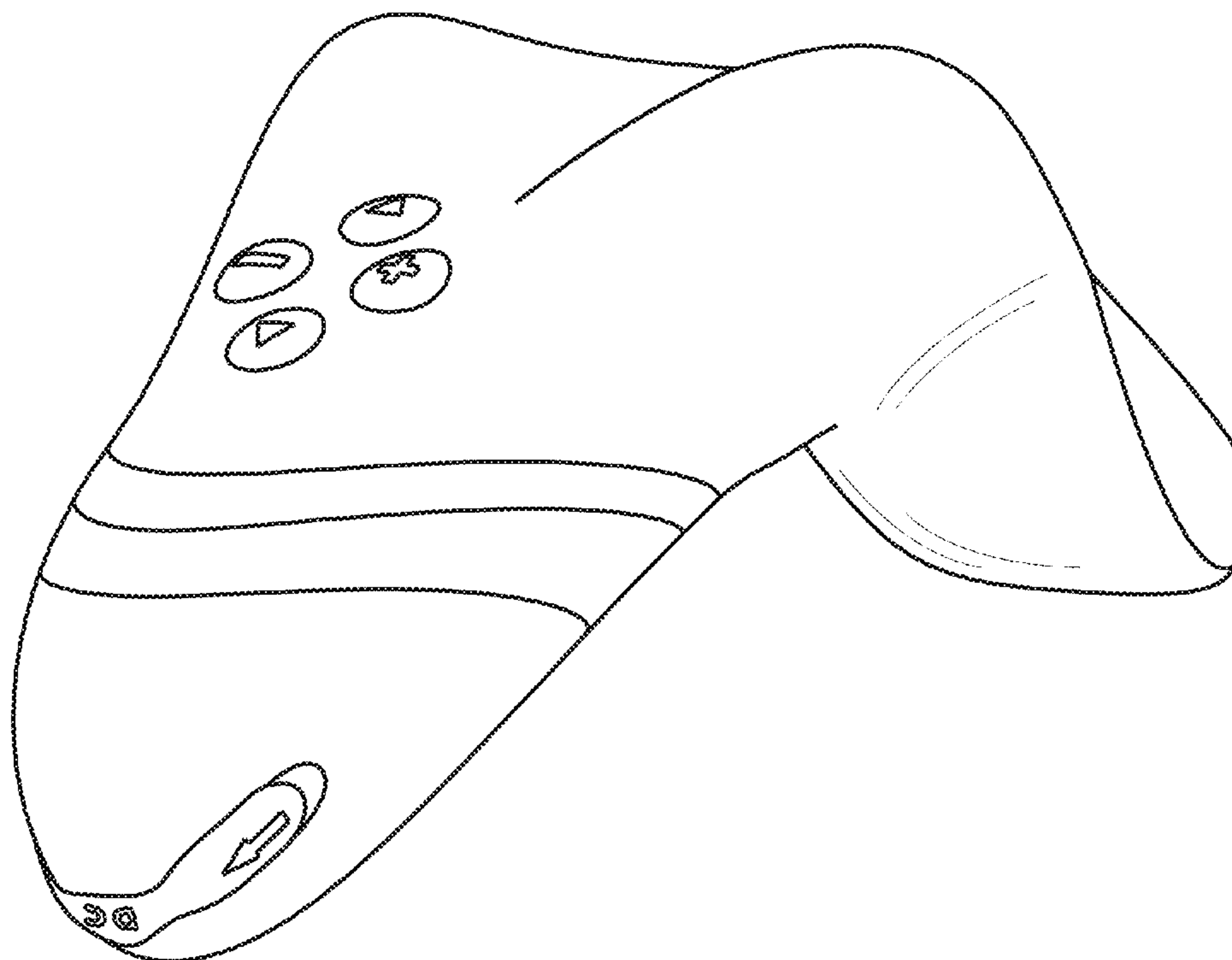
(57) **CLAIM**

We claim the ornamental design for a vibrator, as shown and described.

DESCRIPTION

FIG. 1 is a perspective view of the vibrator.
FIG. 2 is a front view thereof.
FIG. 3 is a right side view thereof.
FIG. 4 is a back view thereof.
FIG. 5 is a left side view thereof.
FIG. 6 is a top view thereof; and,
FIG. 7 is a bottom view thereof.

1 Claim, 7 Drawing Sheets



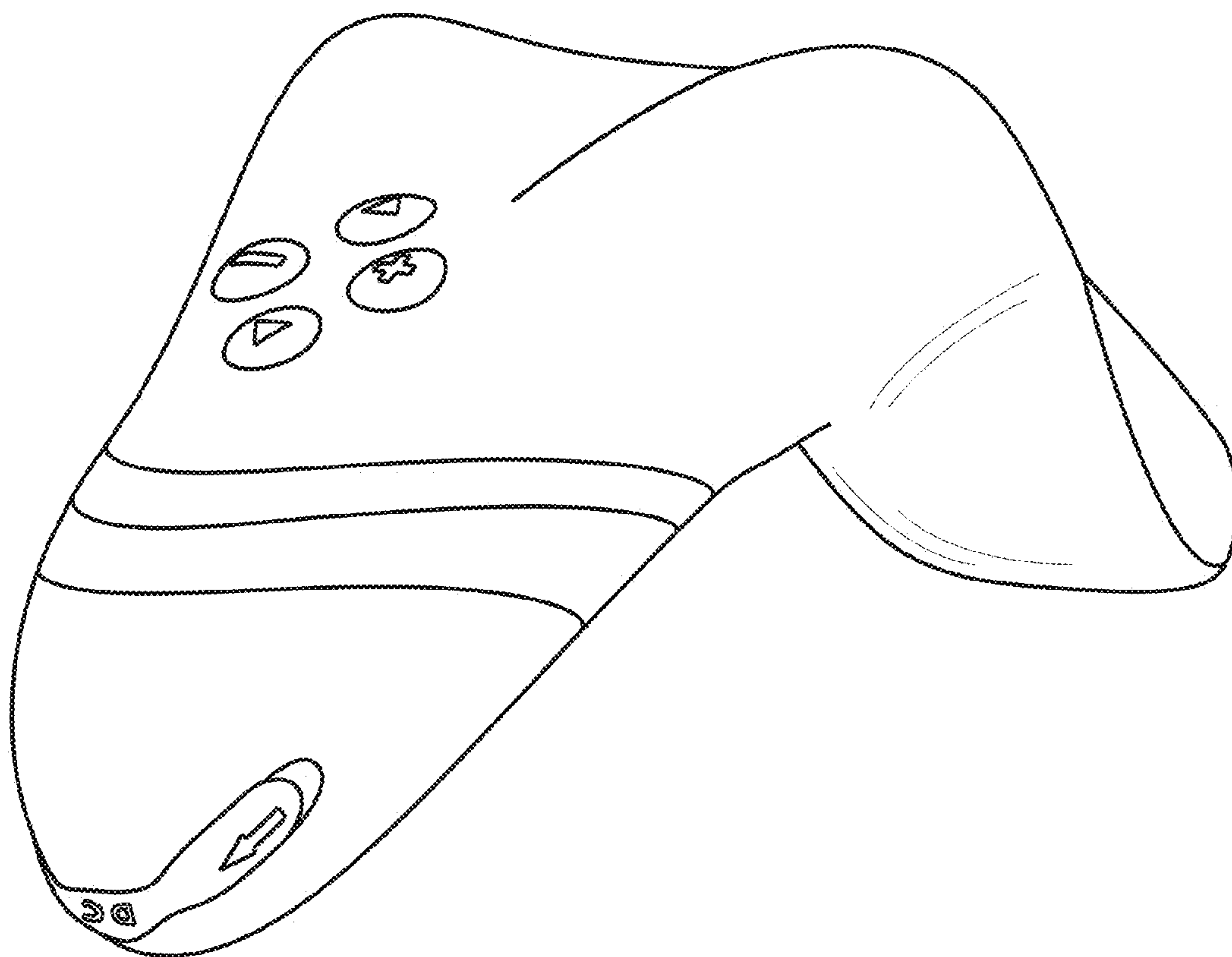


FIG. 1

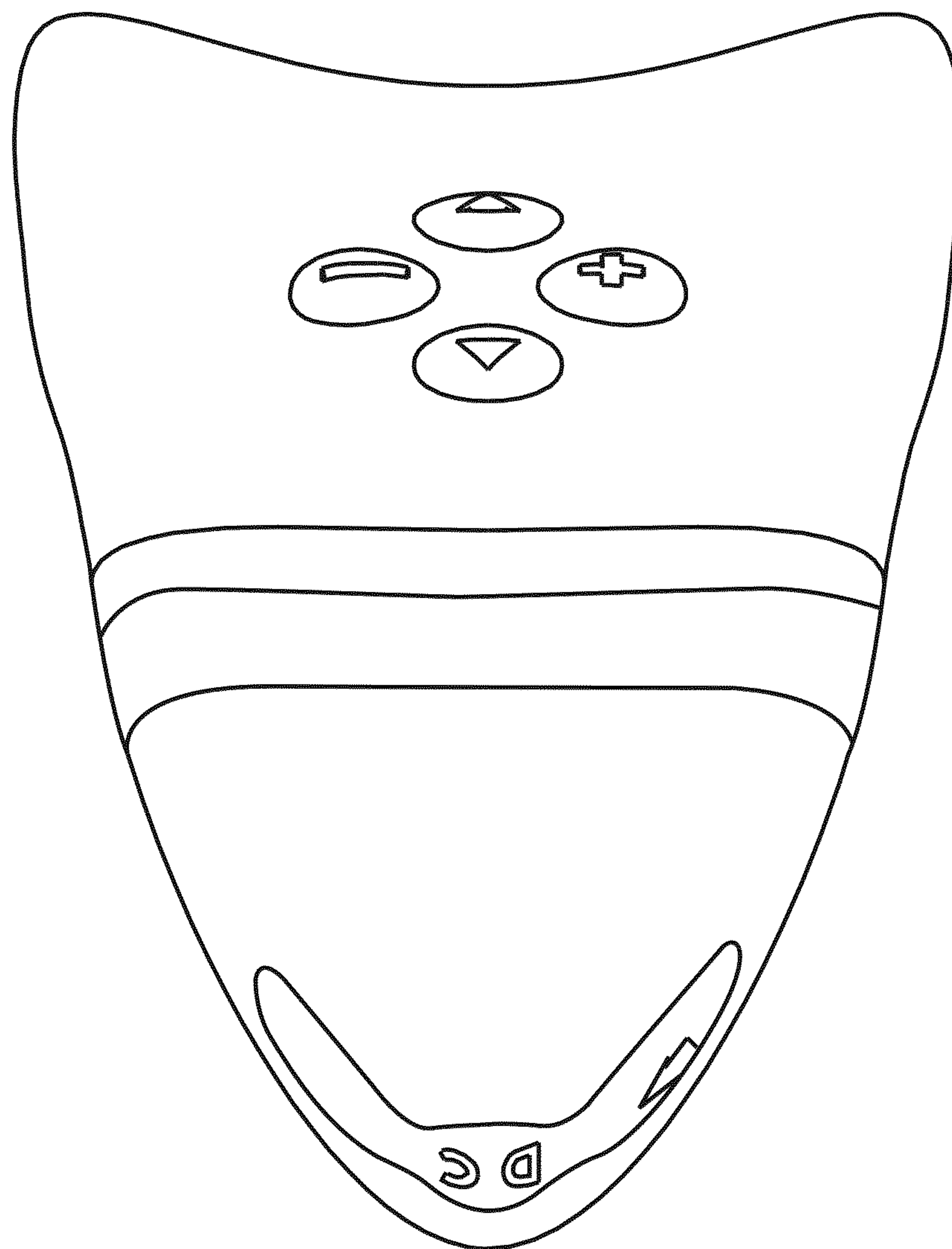


FIG. 2

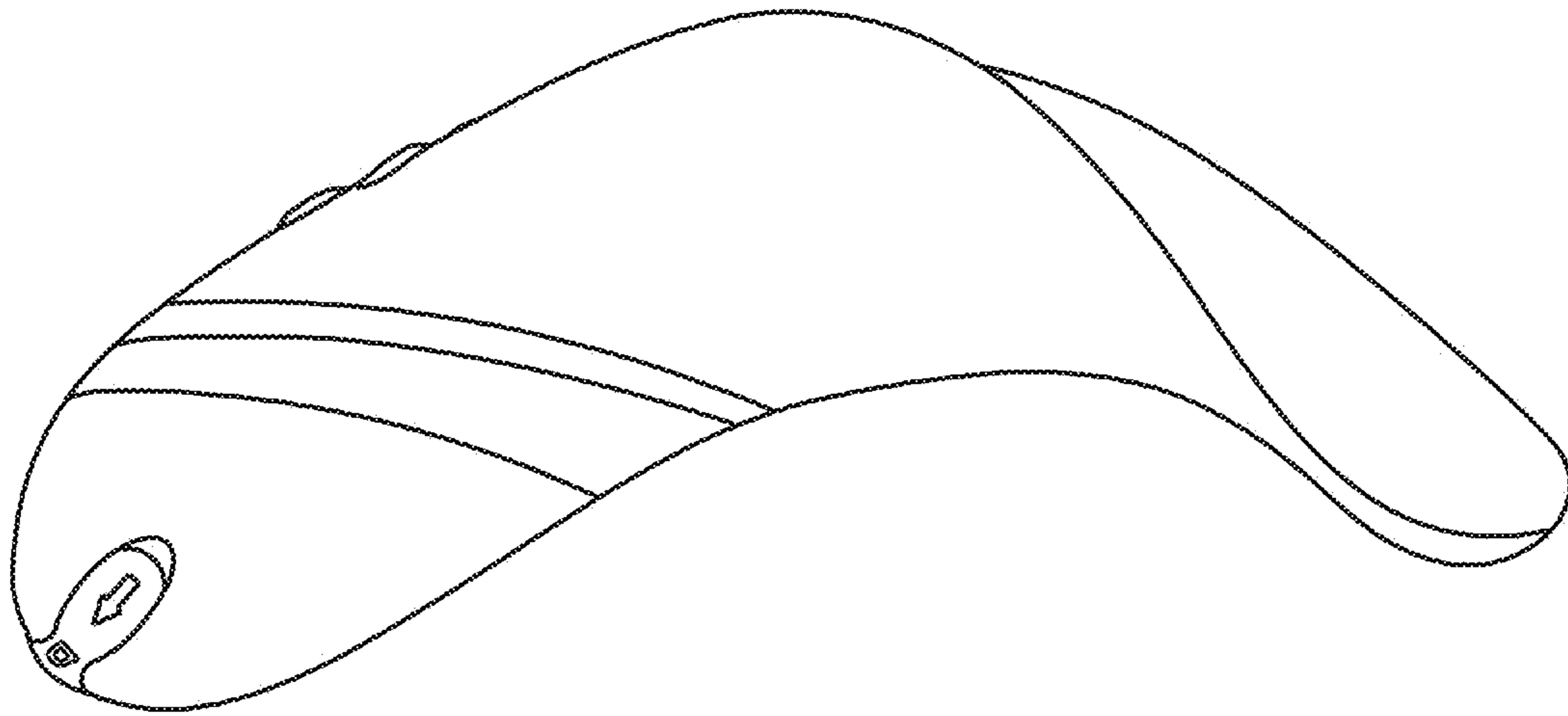


FIG. 3

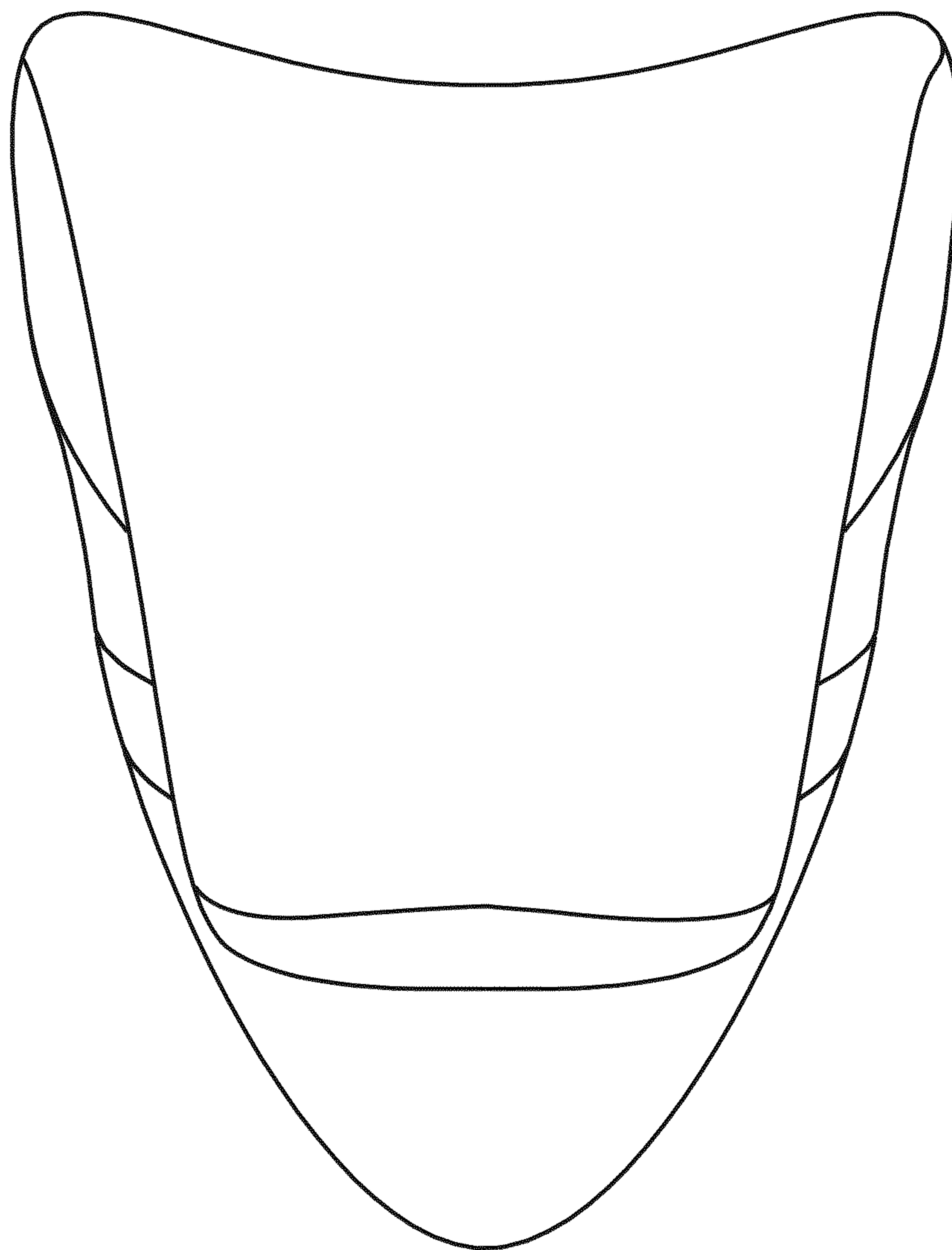


FIG. 4

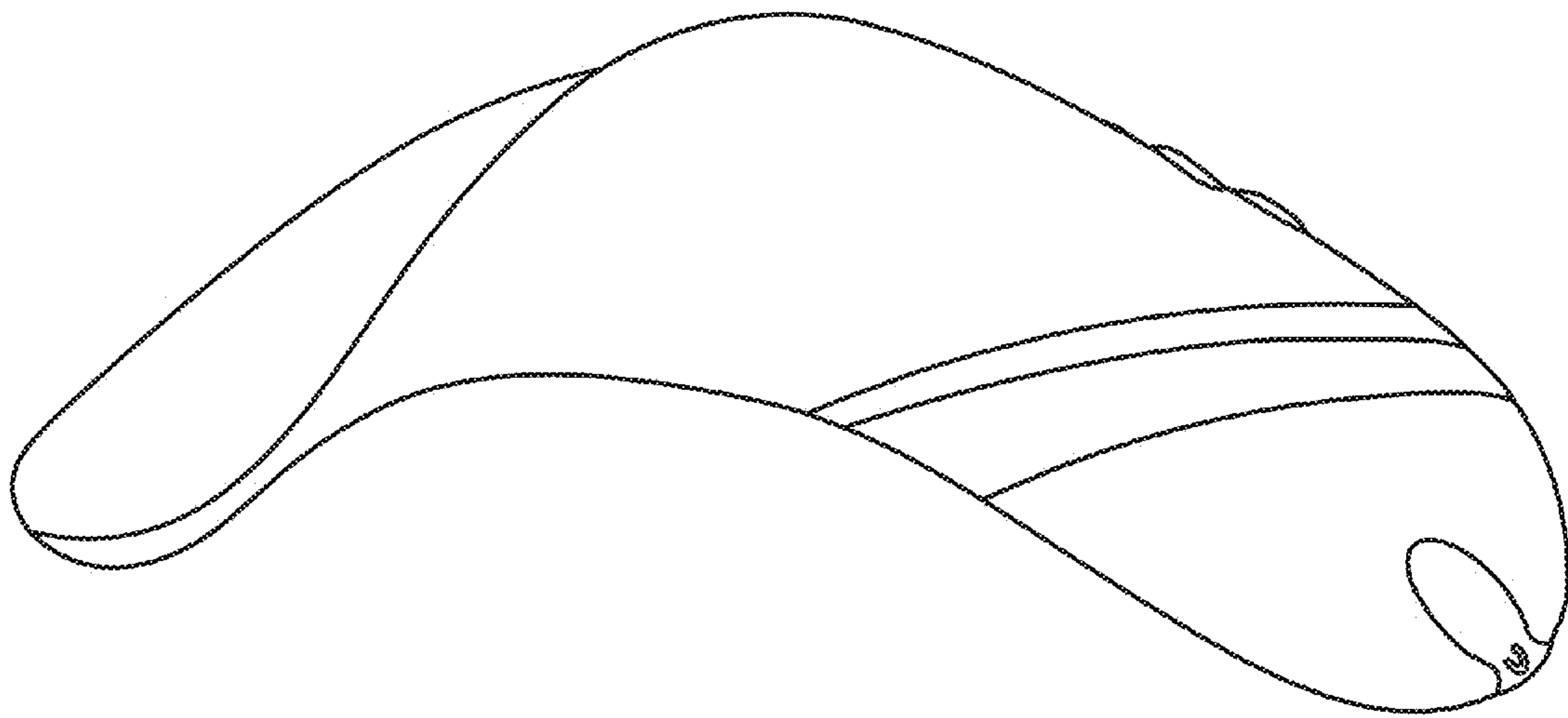


FIG. 5

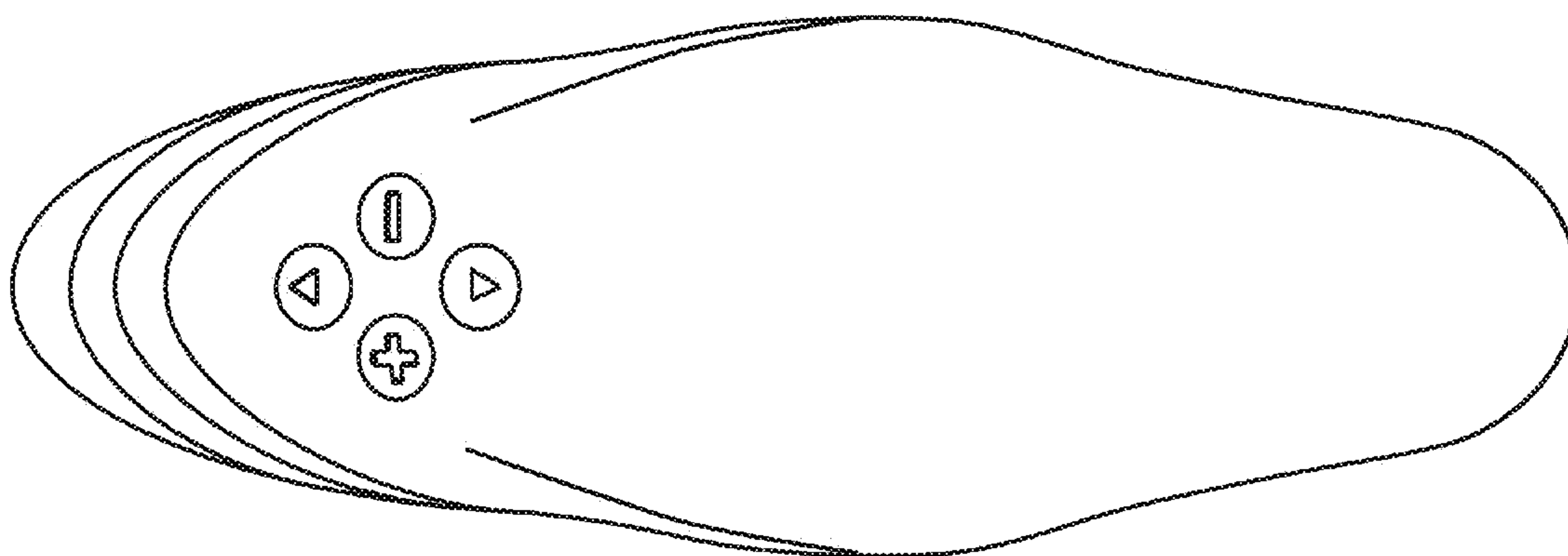


FIG. 6

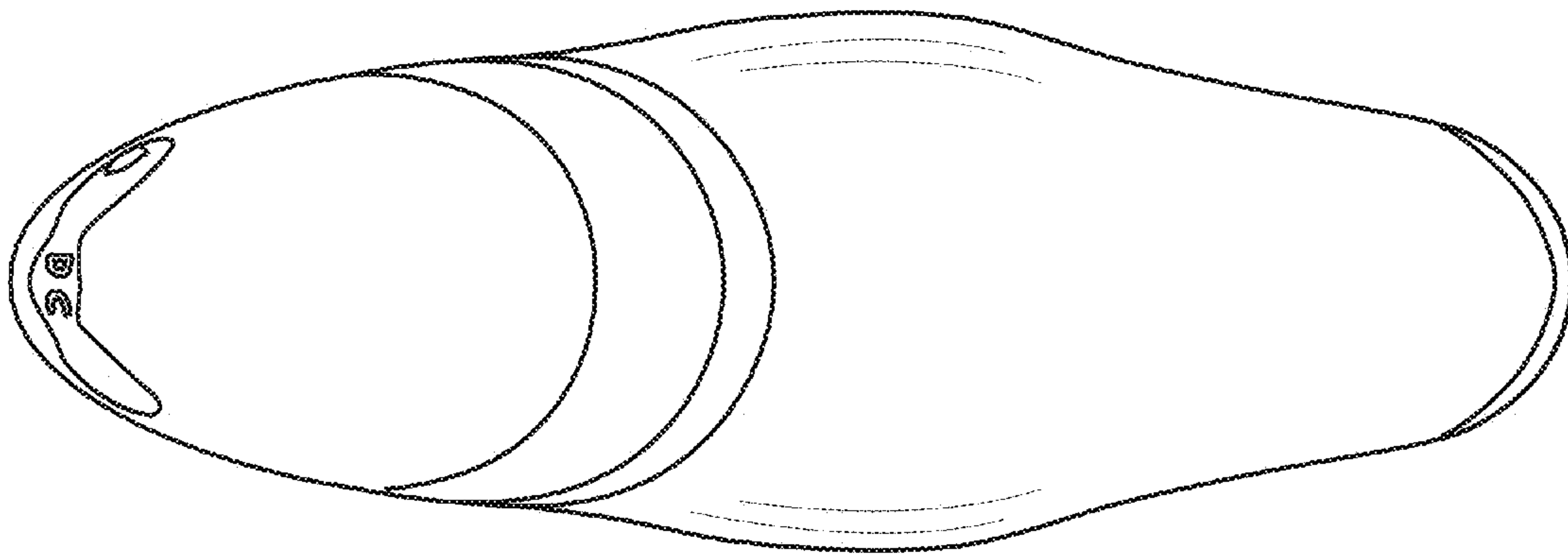


FIG. 7