



US00D681216S

(12) **United States Design Patent**
Smith

(10) **Patent No.:** **US D681,216 S**
(45) **Date of Patent:** **** Apr. 30, 2013**

(54) **TOP ASSEMBLY FOR A BABY BOTTLE**

(75) Inventor: **Peter Smith**, Amsterdam (NL)

(73) Assignee: **Koninklijke Philips Electronics N.V.**,
Eindhoven (NL)

(**) Term: **14 Years**

(21) Appl. No.: **29/409,165**

(22) Filed: **Dec. 21, 2011**

(30) **Foreign Application Priority Data**

Jun. 21, 2011 (EM) 001880774-0008

(51) **LOC (9) Cl.** **24-04**

(52) **U.S. Cl.**
USPC **D24/196**

(58) **Field of Classification Search** D24/193-198;
D9/500, 503-504, 547, 444-445, 454; D7/510-511,
D7/533-534; 215/6, 10, 11.1-11.6, 12.1,
215/13.1, 255-256, 378; 606/234-236
See application file for complete search history.

(56) **References Cited**

U.S. PATENT DOCUMENTS

2,822,102	A *	2/1958	Holland	215/11.1
2,989,961	A *	6/1961	Blanchett	215/11.5
3,650,271	A *	3/1972	Pelli	215/11.1
D262,576	S *	1/1982	Anderson-Shanklin	D24/196
			et al.	D24/196
D271,797	S *	12/1983	Chrones	D24/196
D330,938	S *	11/1992	Sakashita	D24/196

D384,748	S *	10/1997	Dunn	D24/196
5,687,861	A *	11/1997	Wiedemann	215/11.3
6,032,810	A *	3/2000	Meyers et al.	215/11.1
D463,567	S *	9/2002	Morano	D24/196
D465,028	S *	10/2002	Renz	D24/196
6,645,228	B2 *	11/2003	Renz	606/236
D488,560	S *	4/2004	Renz et al.	D24/196
2004/0256345	A1 *	12/2004	Lundquist	215/11.5
2007/0102388	A1 *	5/2007	Lewis et al.	215/11.1
2008/0251486	A1 *	10/2008	Housley et al.	215/11.5
2009/0261054	A1 *	10/2009	Shelby	215/11.3

* cited by examiner

Primary Examiner — Susan E Krakower

(57) **CLAIM**

The ornamental design for a top assembly for a baby bottle, as shown and described.

DESCRIPTION

FIG. 1 is a perspective view of a top assembly for a baby bottle showing my new design.

FIG. 2 is a front elevational view thereof;

FIG. 3 is a rear elevational view thereof;

FIG. 4 is a right side elevational view thereof;

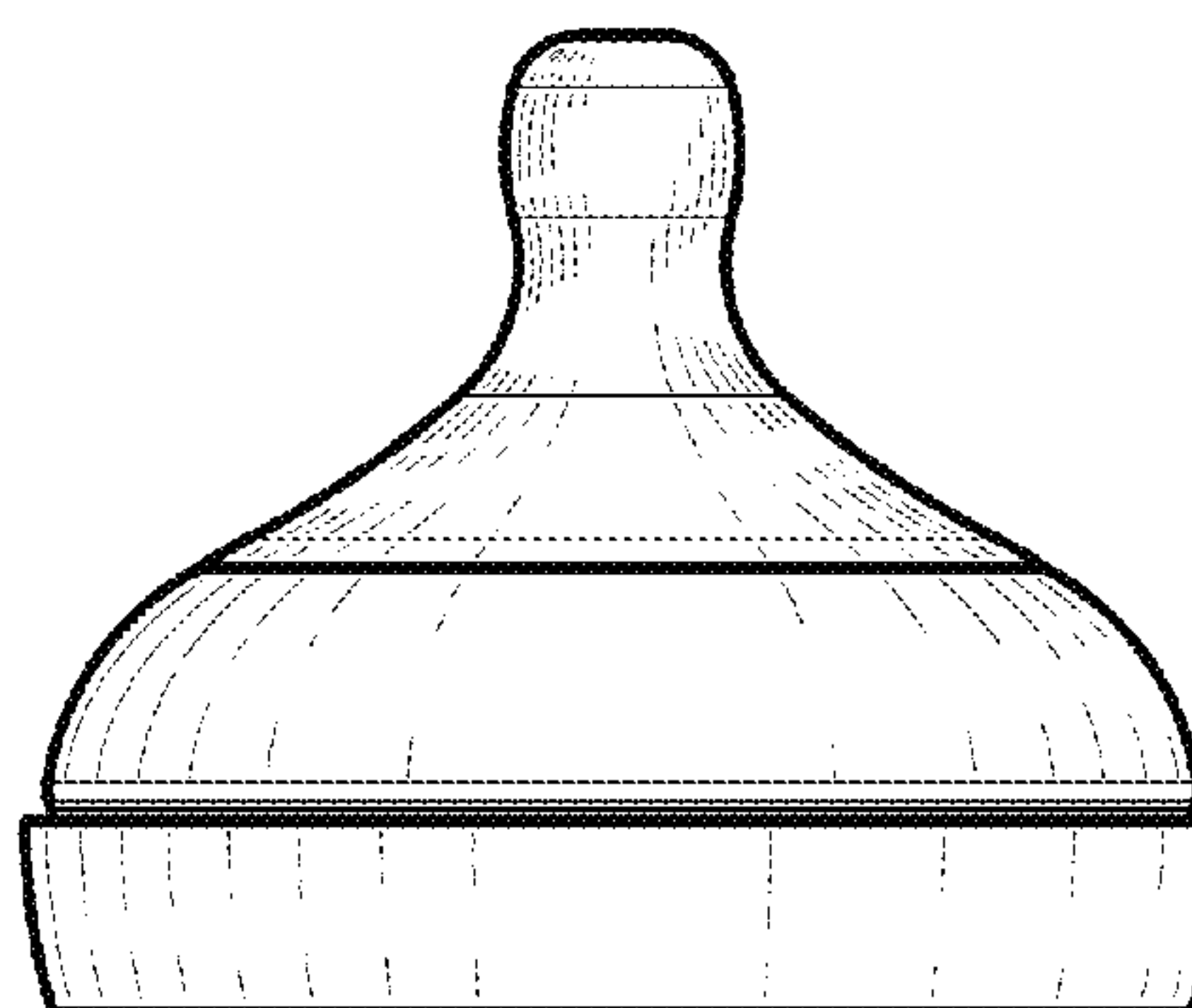
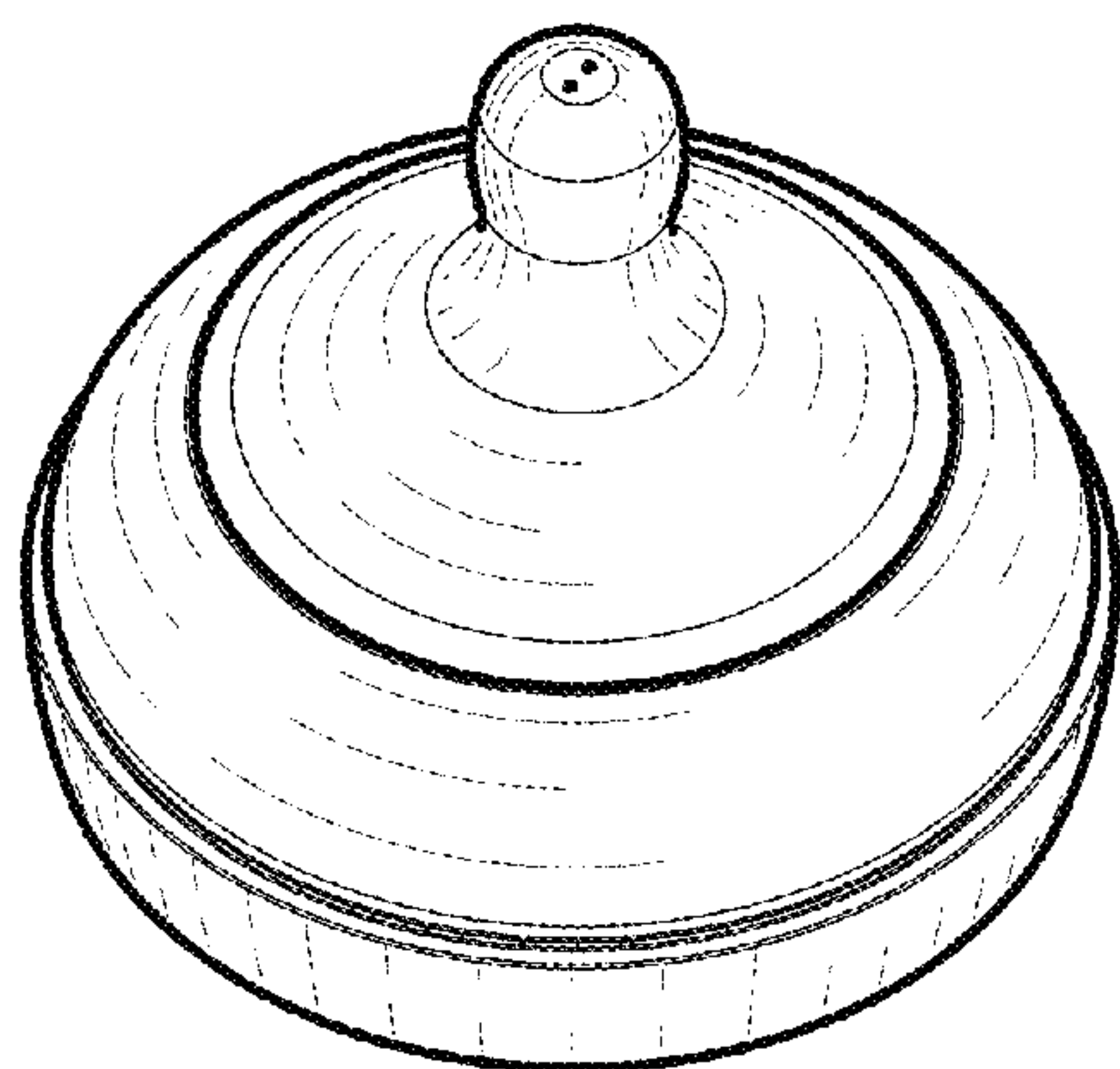
FIG. 5 is a left side elevational view thereof;

FIG. 6 is a top plan view thereof; and,

FIG. 7 is a bottom plan view thereof.

The broken lines illustrate portions of the top assembly for a baby bottle which form no part of the claimed design.

1 Claim, 3 Drawing Sheets



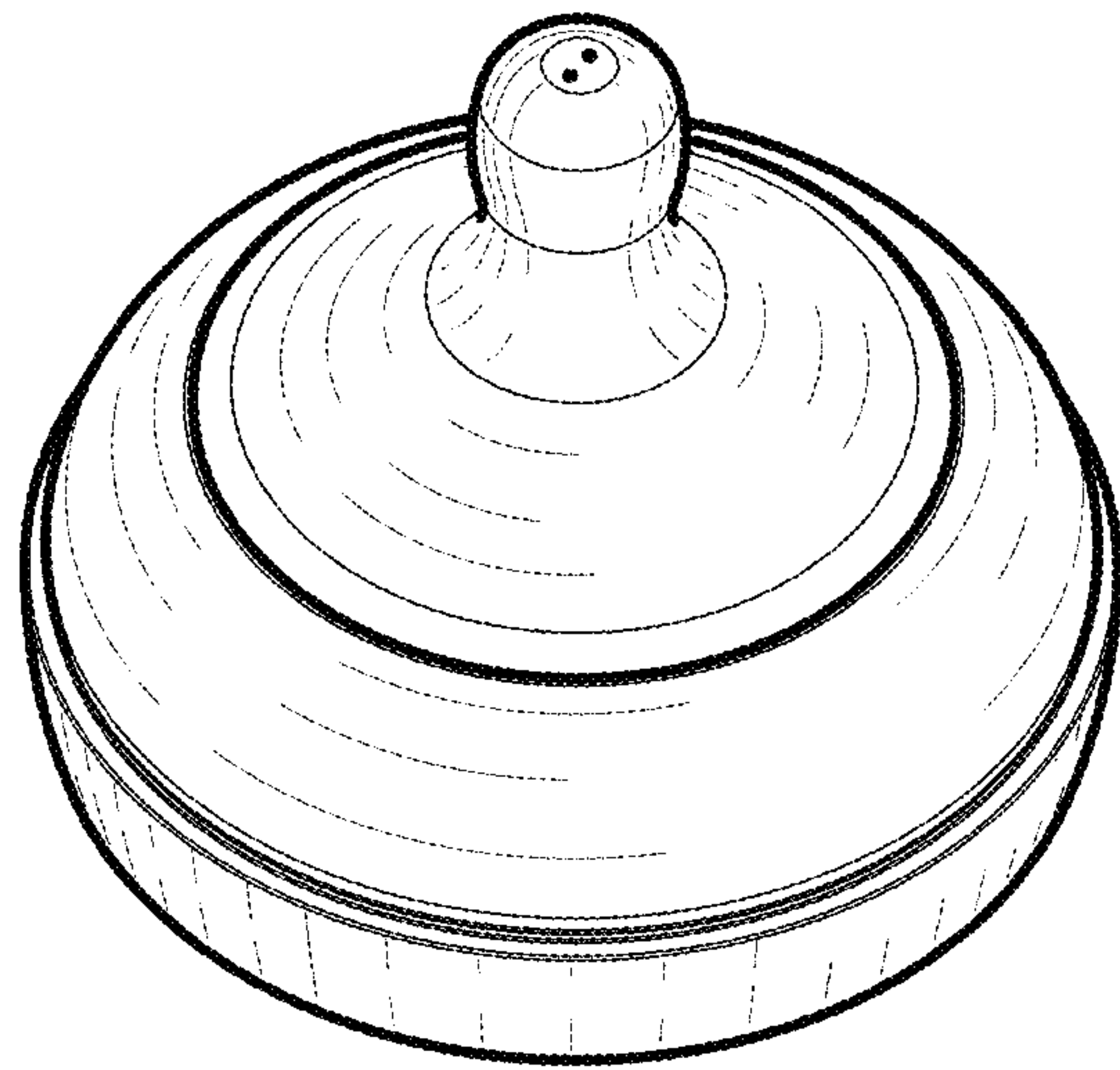


FIG. 1

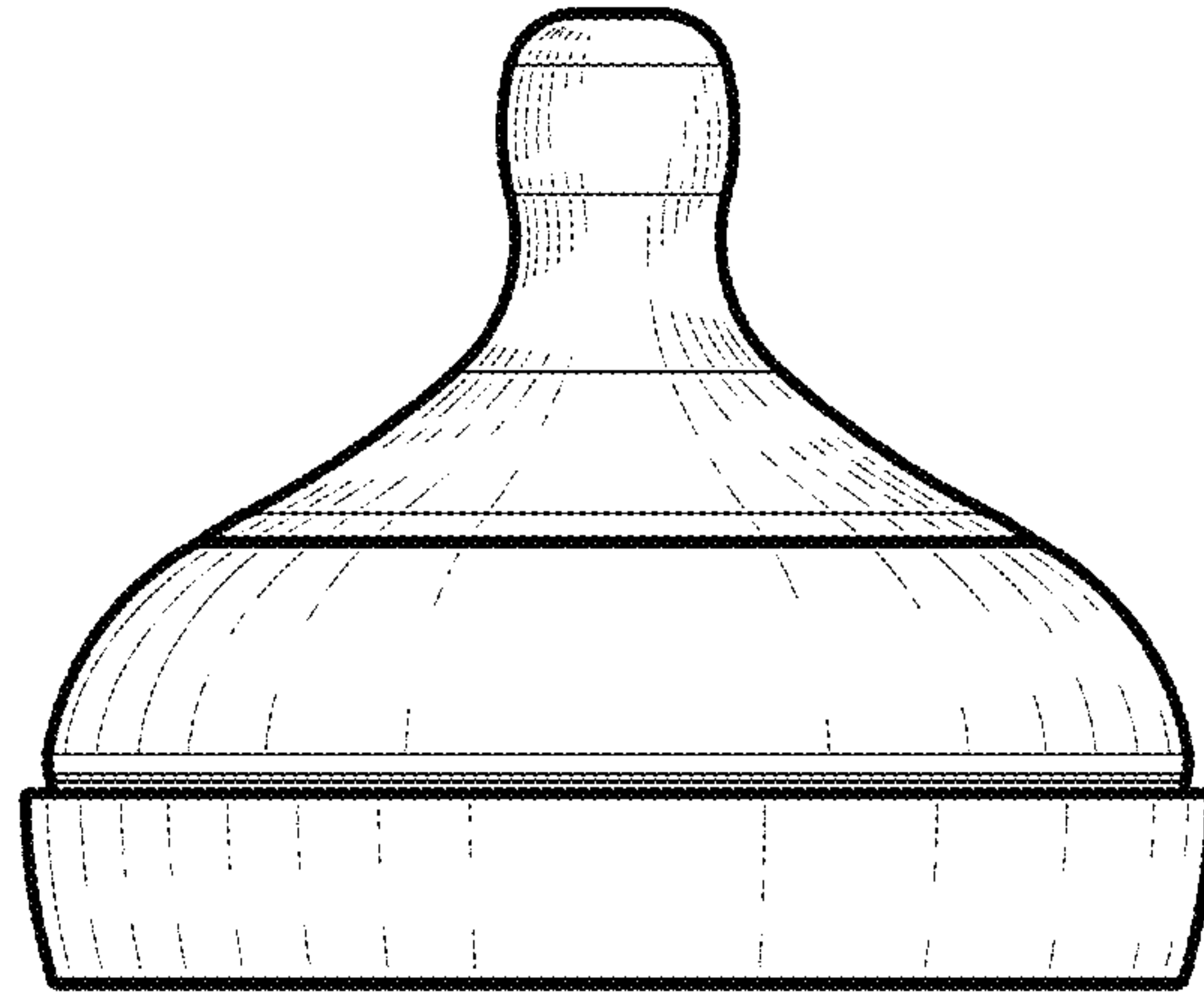


FIG. 2

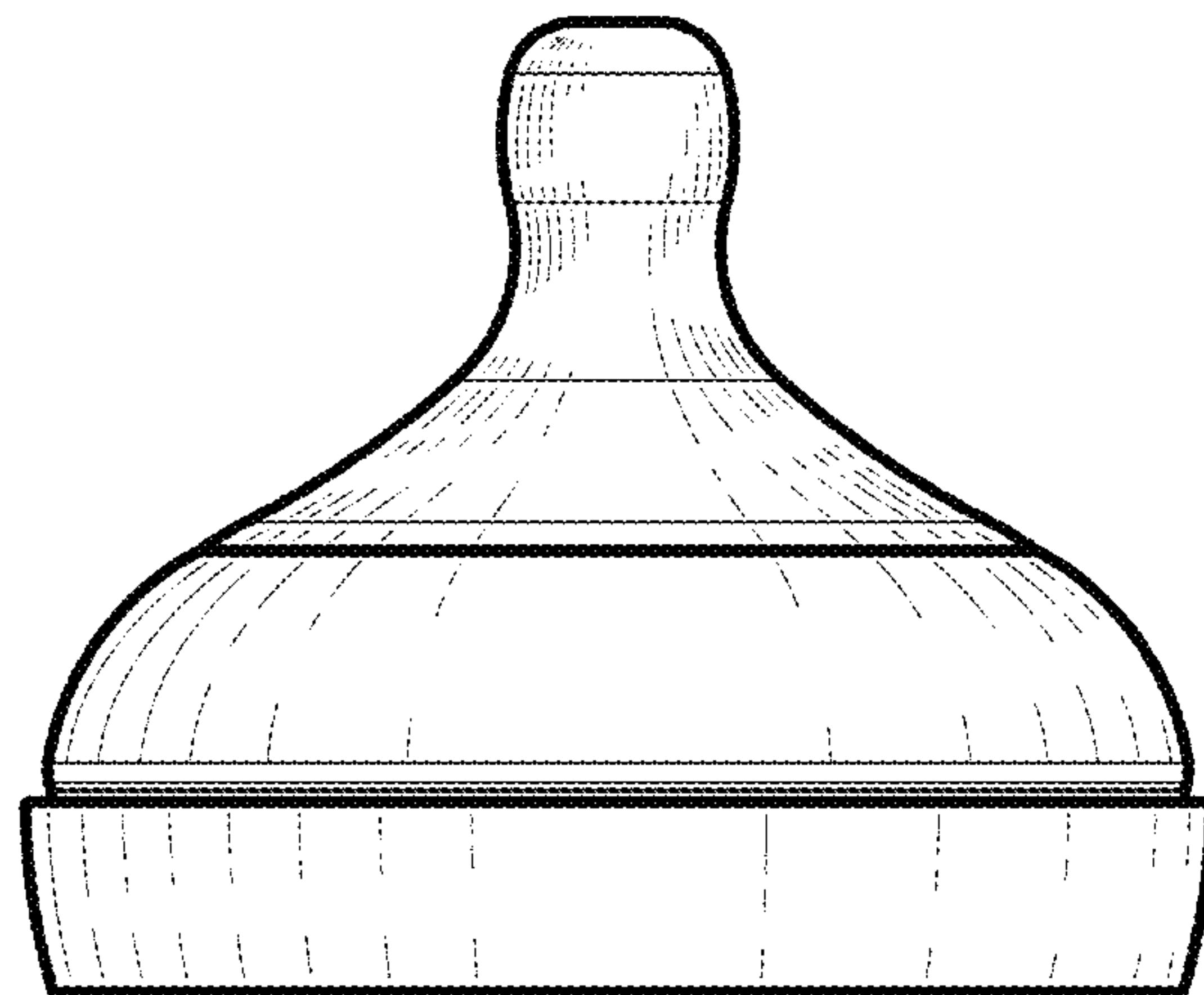


FIG. 3

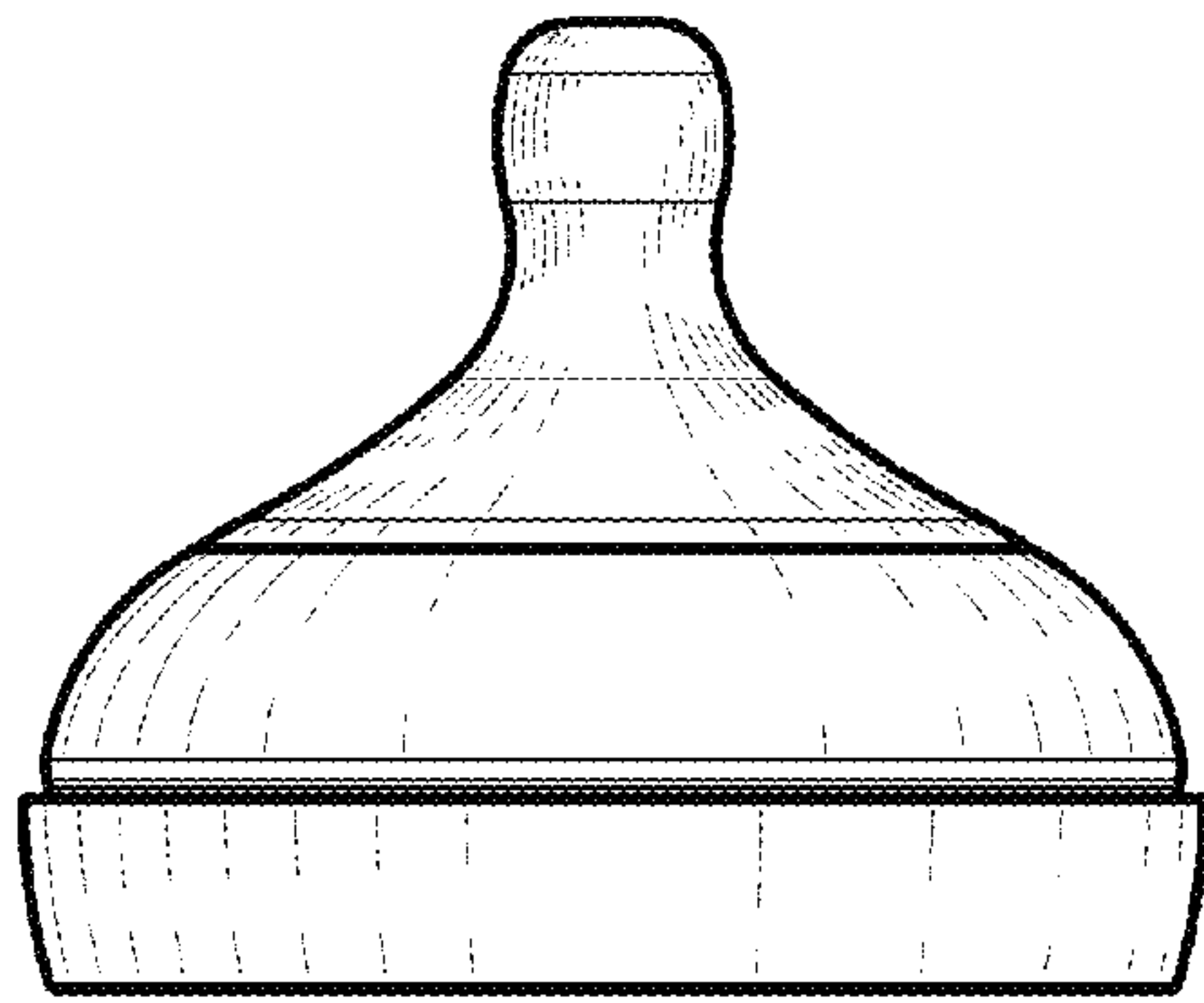


FIG. 4

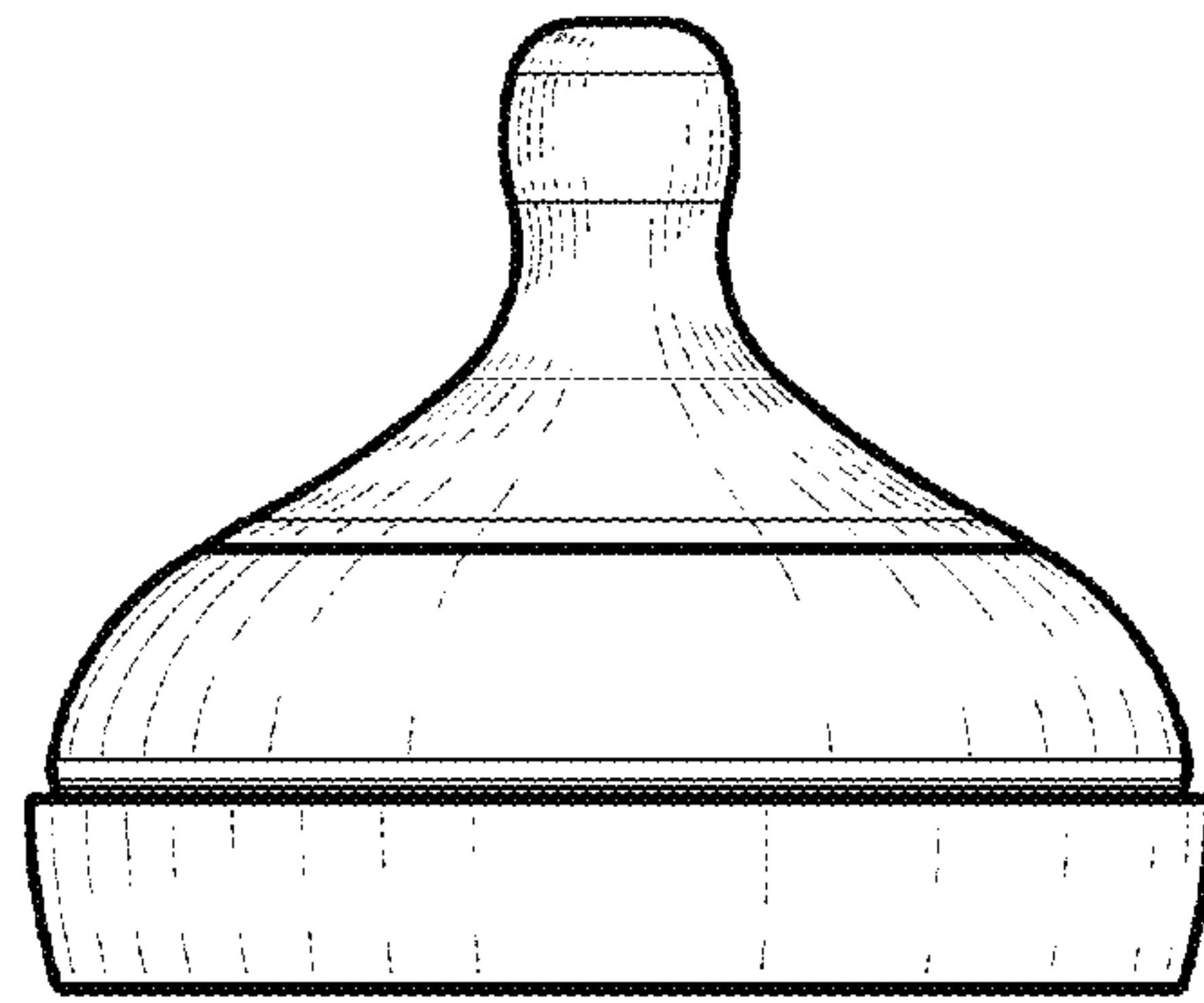


FIG. 5

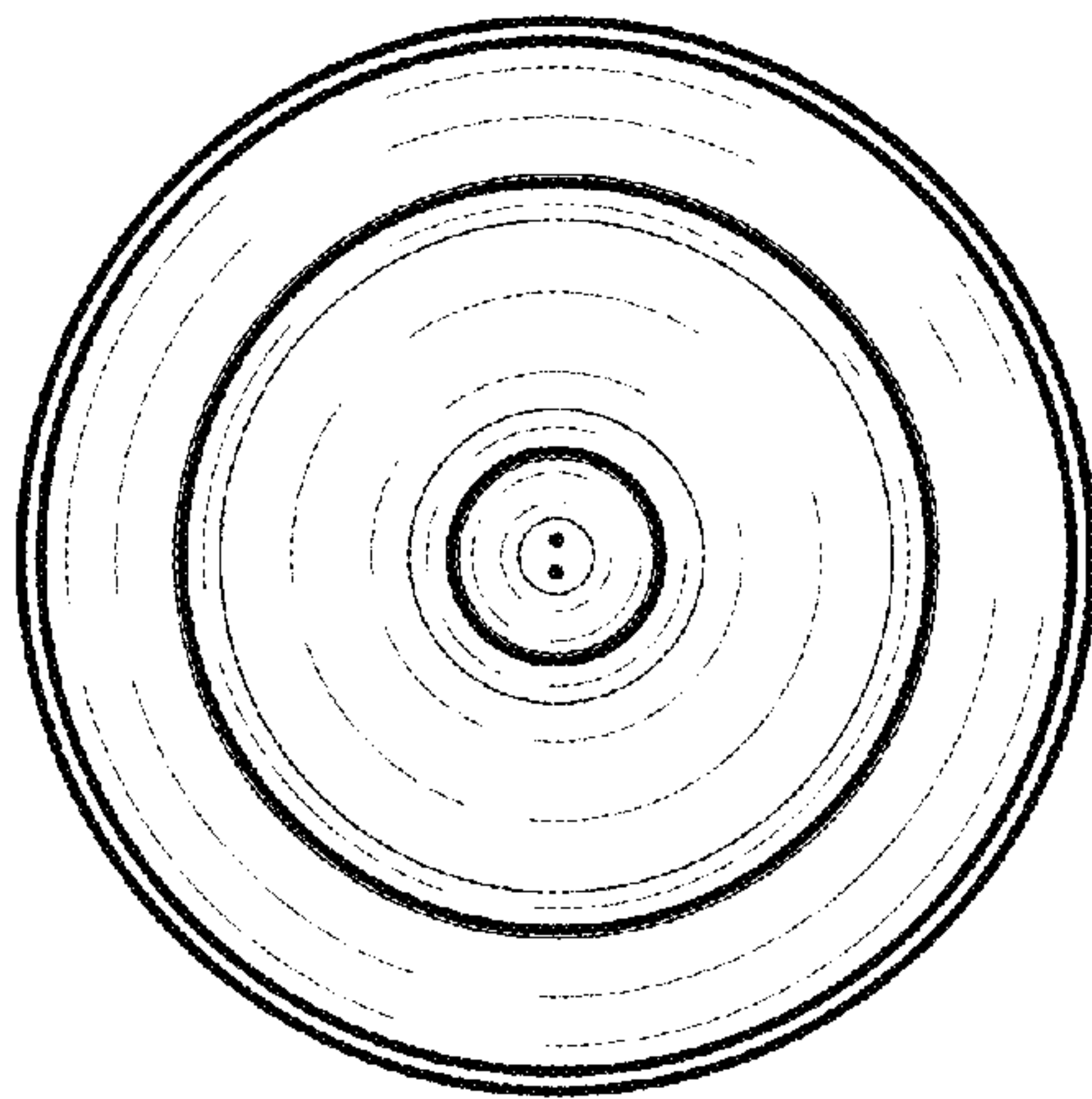


FIG. 6

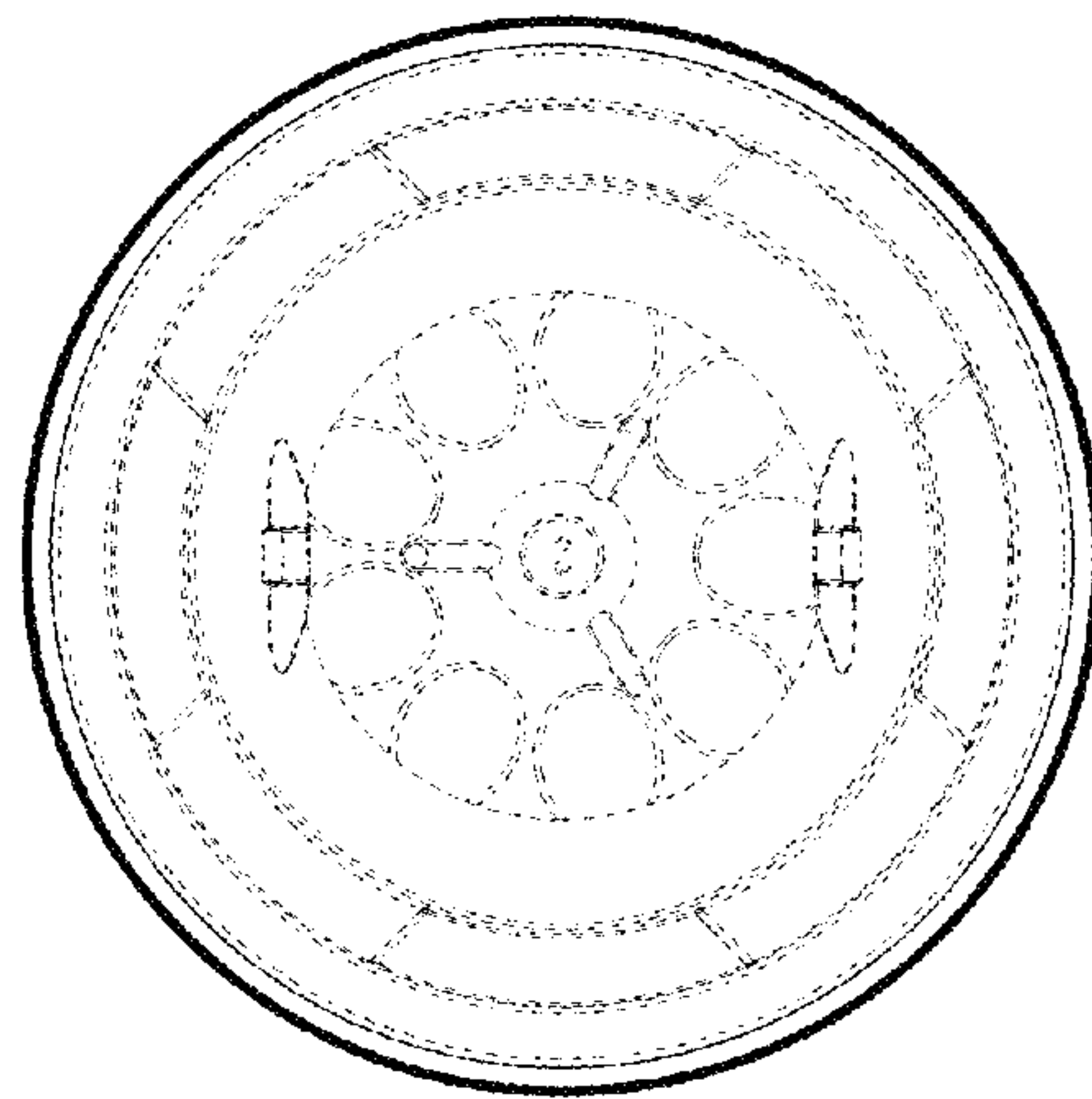


FIG. 7