



US00D681215S

(12) **United States Design Patent**
Kessler et al.

(10) **Patent No.:** **US D681,215 S**
(45) **Date of Patent:** **** Apr. 30, 2013**

(54) **PORTABLE SUSPENSION FRAME FOR THERAPEUTIC DEVICES**

(75) Inventors: **Jordan Kessler**, Westerville, OH (US); **Thomas R. Blurton**, Kettering, OH (US); **James Conkey**, Cleveland Hgts., OH (US); **Brad Ryczko**, Westerville, OH (US); **Rachael Johns**, Moraine, OH (US)

(73) Assignee: **Southpaw Enterprises, Inc.**, Dayton, OH (US)

(**) Term: **14 Years**

(21) Appl. No.: **29/424,545**

(22) Filed: **Jun. 13, 2012**

Related U.S. Application Data

(63) Continuation of application No. 29/405,203, filed on Oct. 31, 2011, now abandoned.

(51) **LOC (9) Cl.** **24-04**

(52) **U.S. Cl.**
USPC **D24/188**

(58) **Field of Classification Search** D24/188,
D24/183; 602/34, 38, 39, 40, 32; 128/25 R;
5/630, 662, 84.1, 83.1, 81.1; 606/241
See application file for complete search history.

(56) **References Cited**

U.S. PATENT DOCUMENTS

4,852,839	A *	8/1989	Winter et al.	248/220.42
D309,184	S *	7/1990	Sanderson et al.	D24/183
D328,350	S *	7/1992	Lossing	D24/188
D331,465	S *	12/1992	Lossing	D24/188
6,080,087	A *	6/2000	Bingham	482/69
D431,080	S *	9/2000	Anderson	D24/188
6,244,991	B1 *	6/2001	Bingham	482/69

6,273,844	B1 *	8/2001	Kelsey et al.	482/54
6,315,138	B1 *	11/2001	Dyson	212/336
6,890,288	B2 *	5/2005	Bingham	482/69
7,938,757	B1 *	5/2011	Cockrell	482/69
8,267,838	B2 *	9/2012	Rasmussen	482/69

OTHER PUBLICATIONS

Southpaw Enterprises, Inc. "Custom Support Structure", Sensory Integration and Developmental Products for Class, Clinic and Home, Spring/Summer 2010 Catalog, pp. 6-7, Jan. 18, 2010.

Southpaw Enterprises, Inc. "C-Stand and Linear Motion Bar", Sensory Integration and Developmental Products for Class, Clinic and Home, Spring/Summer 2010 Catalog, p. 10, Jan. 18, 2010.

Southpaw Enterprises, Inc. "Itinerant Support Frame", Sensory Integration and Developmental Products for Class, Clinic and Home, Spring/Summer 2010 Catalog, p. 11, Jan. 18, 2010.

* cited by examiner

Primary Examiner — T. Chase Nelson

Assistant Examiner — Michelle E Wilson

(74) *Attorney, Agent, or Firm* — Dinsmore & Shohl LLP

(57) **CLAIM**

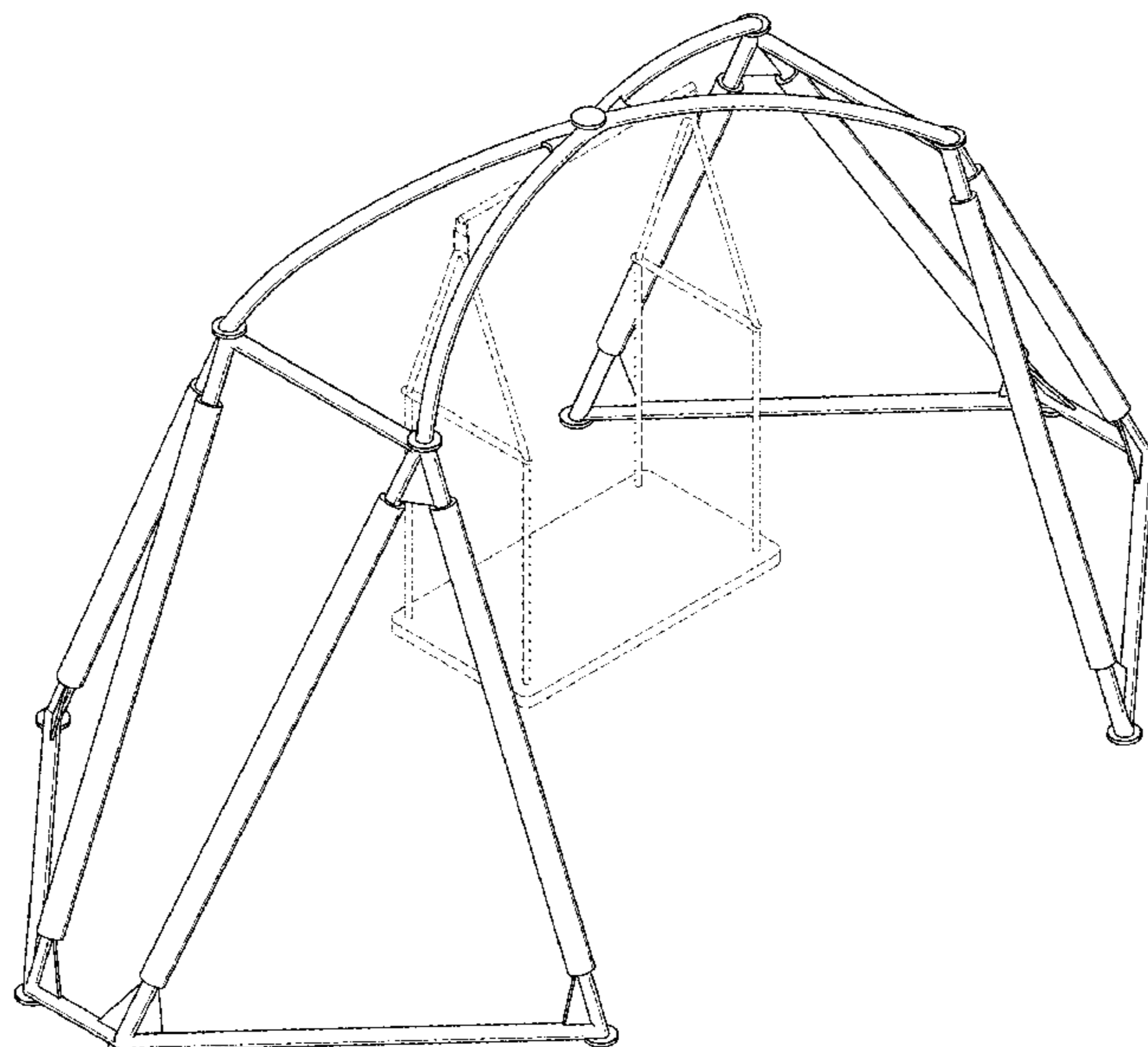
The ornamental design for a portable suspension frame for therapeutic devices, as shown and described.

DESCRIPTION

FIG. 1 is a perspective view of an embodiment of a portable suspension frame illustrating our new design; FIG. 2 is a front side elevational view thereof; FIG. 3 is a back side elevational view thereof; FIG. 4 is a left side elevational view thereof; FIG. 5 is a right side elevational view thereof; FIG. 6 is a top plan view thereof; and, FIG. 7 is a bottom plan view thereof.

The broken lines in the drawings represent portions of the therapeutic device that forms no part of the claimed design.

1 Claim, 7 Drawing Sheets



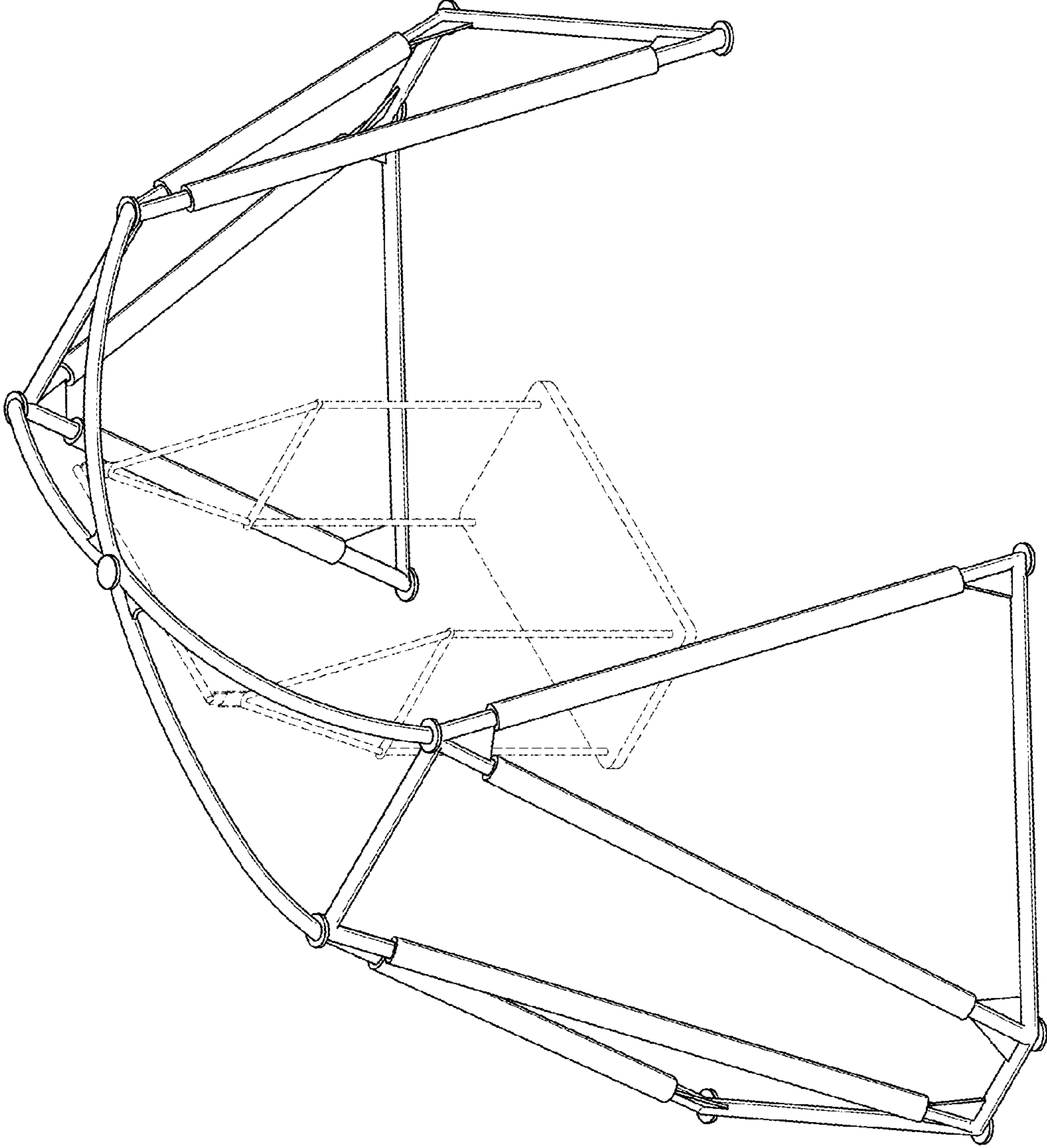


FIG. 1

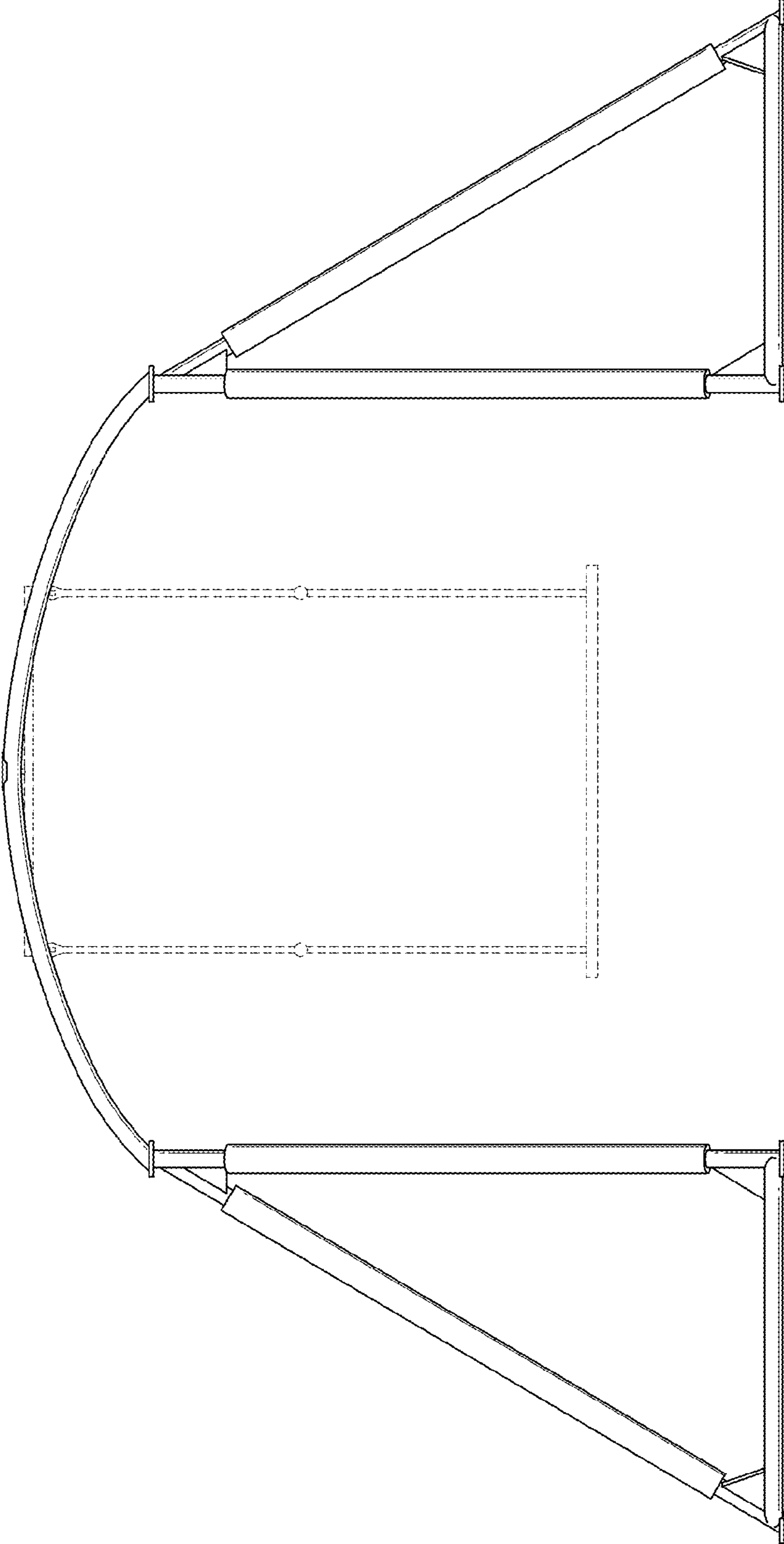


FIG. 2

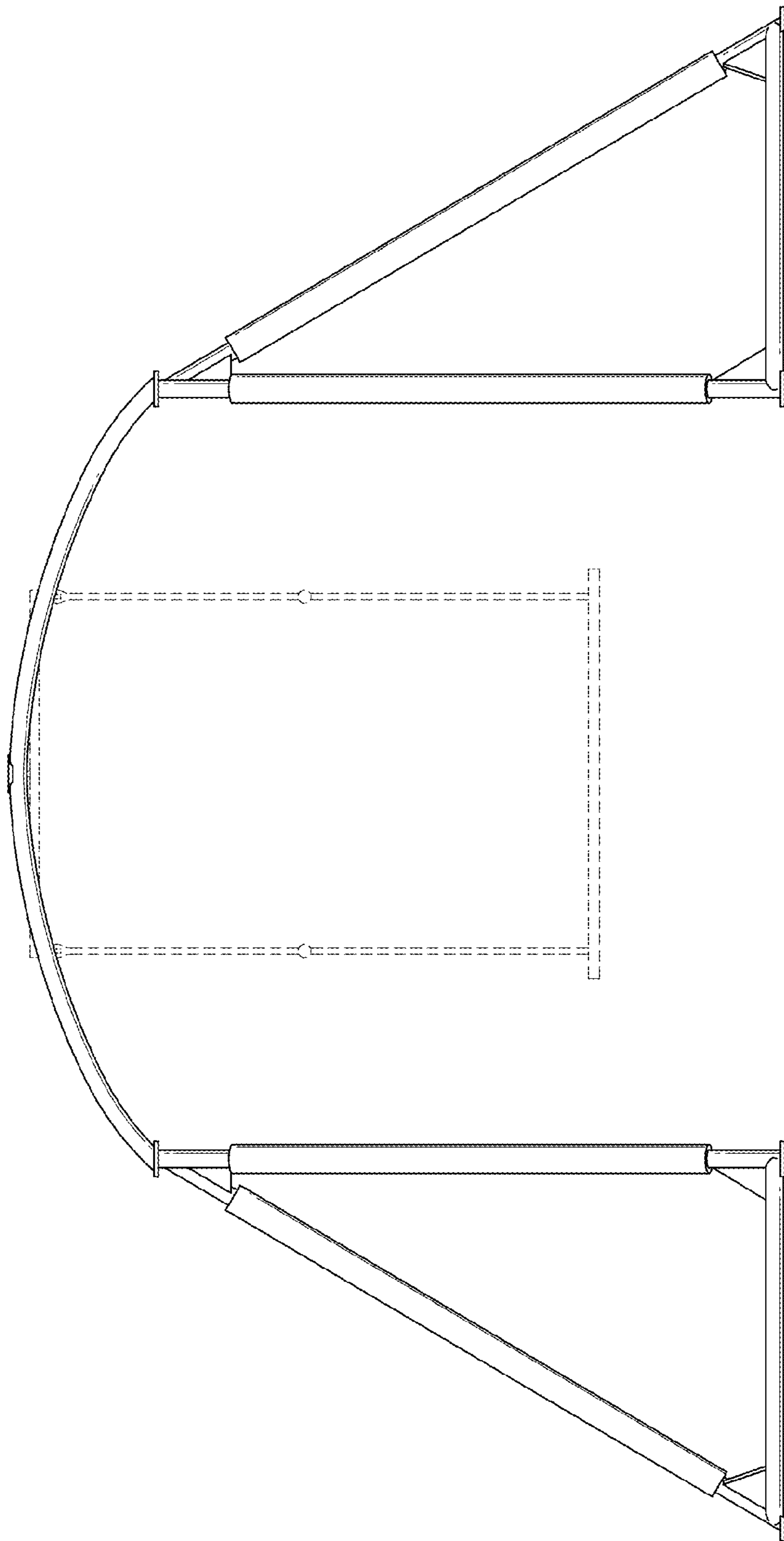


FIG. 3

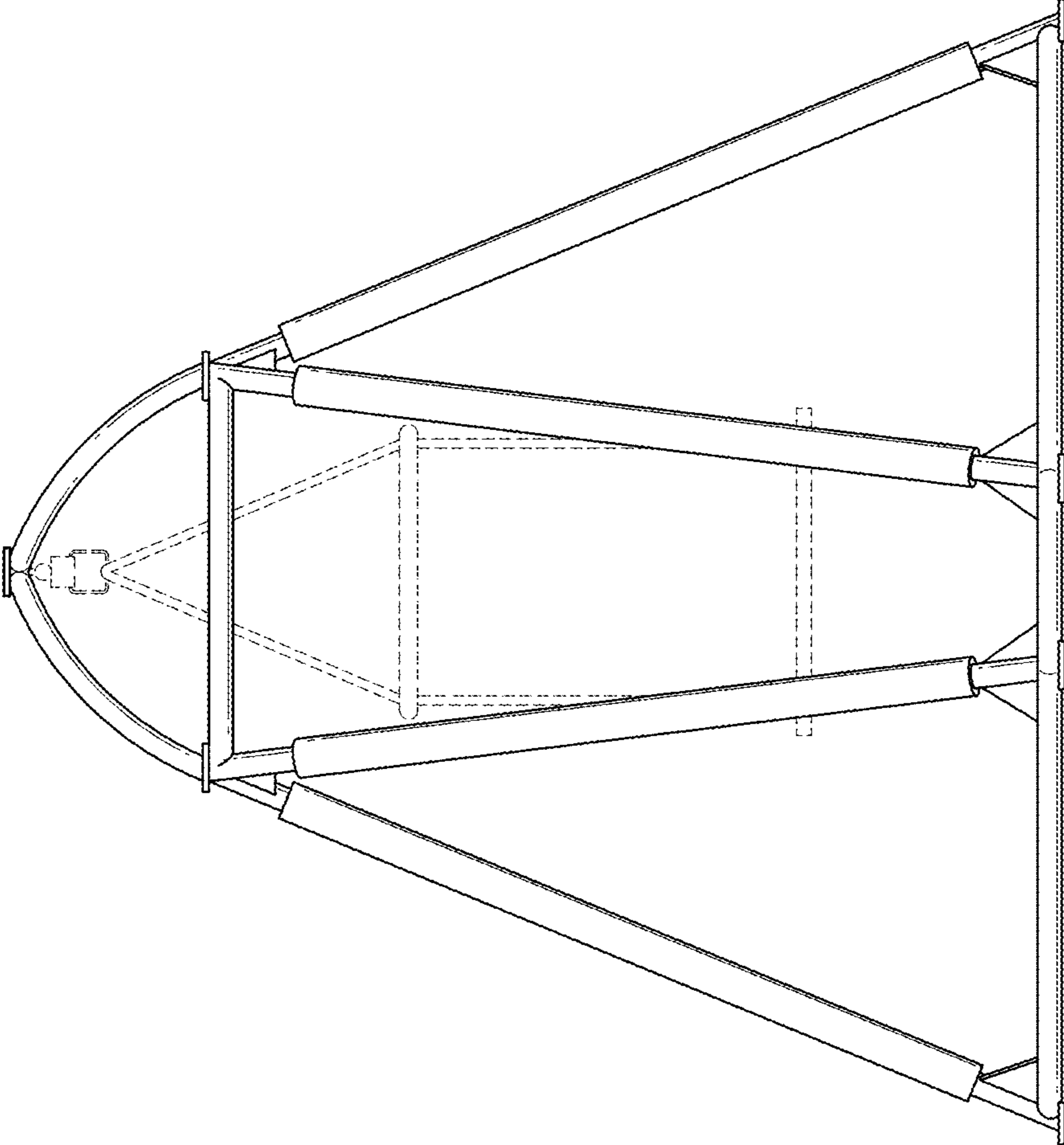


FIG. 4

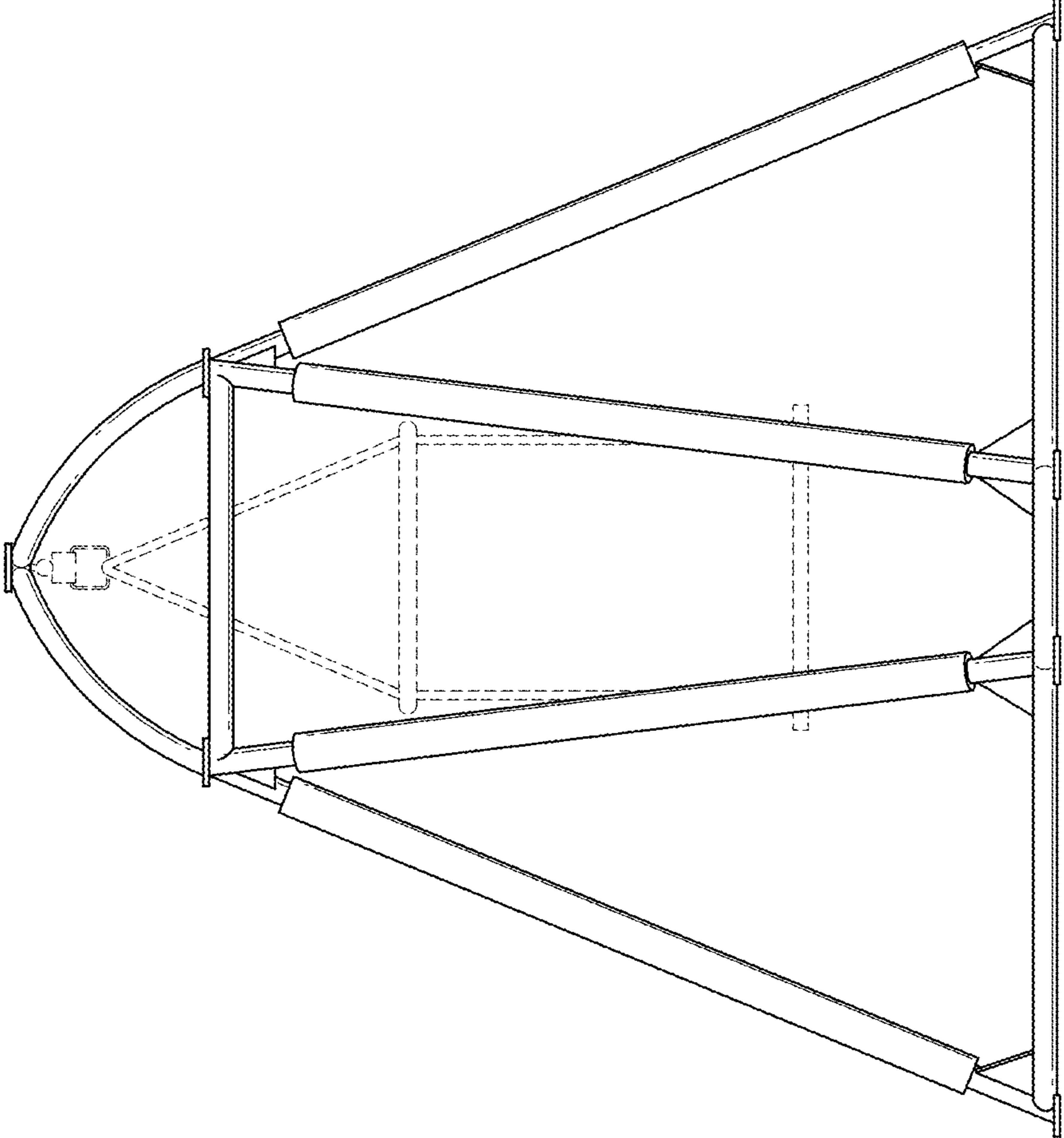


FIG. 5

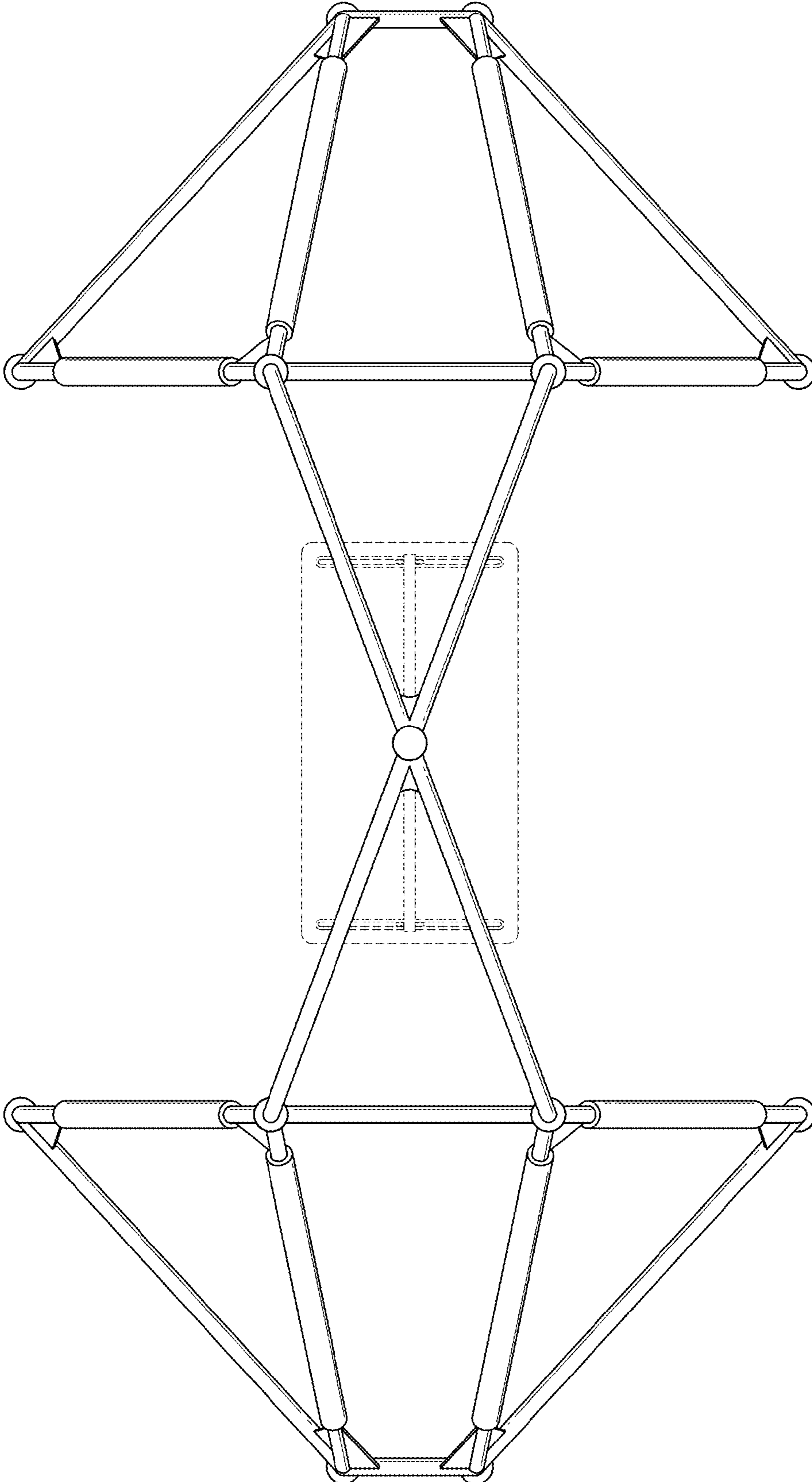


FIG. 6

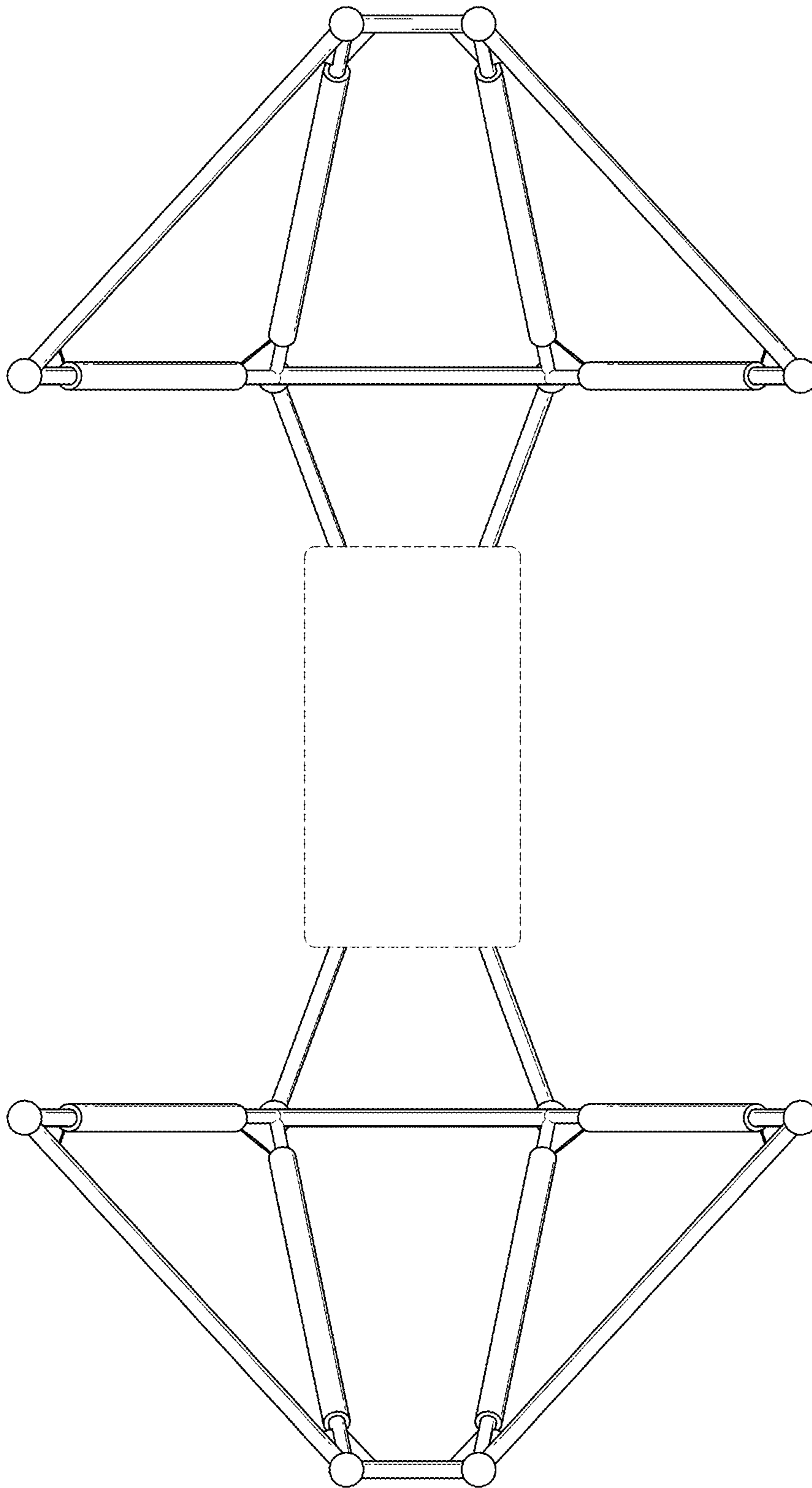


FIG. 7