



US00D681210S

(12) **United States Design Patent**
Beiriger et al.

(10) **Patent No.:** **US D681,210 S**
(45) **Date of Patent:** **** Apr. 30, 2013**

- (54) **DIALYSIS FLUID LINE CARRIER**
- (75) Inventors: **Michael James Beiriger**, Pittsburgh, PA (US); **Edward J. Bires**, McKees Rocks, PA (US); **Douglas Mark Zatezalo**, Allison Park, PA (US)
- (73) Assignee: **Fresenius Medical Care Holdings, Inc.**, Waltham, MA (US)
- (**) Term: **14 Years**
- (21) Appl. No.: **29/389,188**
- (22) Filed: **Apr. 7, 2011**
- (51) **LOC (9) Cl.** **24-01**
- (52) **U.S. Cl.**
USPC **D24/169**
- (58) **Field of Classification Search** D24/169,
D24/232, 107; 604/29, 30, 27
See application file for complete search history.

(56) **References Cited**

U.S. PATENT DOCUMENTS

3,946,731 A	3/1976	Lichtenstein
3,985,135 A	10/1976	Carpenter et al.

(Continued)

FOREIGN PATENT DOCUMENTS

EM	0458041	11/1991
EM	0887100	12/1998

(Continued)

OTHER PUBLICATIONS

Acumen, Acute Dialysis Machine Operating Instructions, Software Version 1.0, Fresenius MT acumen, 1/05.96 (OP), 146 pages.

(Continued)

Primary Examiner — T. Chase Nelson

Assistant Examiner — Ania Aman

(74) *Attorney, Agent, or Firm* — Fish & Richardson P.C.

(57) **CLAIM**

The ornamental design for a dialysis fluid line carrier, substantially as shown and described.

DESCRIPTION

FIG. 1 is a perspective view of a dialysis fluid line carrier to which various dialysis fluid lines and related components can be secured.

FIG. 2 is a front plan view of the dialysis fluid line carrier of FIG. 1.

FIG. 3 is a rear plan view of the dialysis fluid line carrier of FIG. 1.

FIG. 4 is a first side view of the dialysis fluid line carrier of FIG. 1.

FIG. 5 is an opposite, second side view of the dialysis fluid line carrier of FIG. 1.

FIG. 6 is a top view of the dialysis fluid line carrier of FIG. 1.

FIG. 7 is a bottom view of the dialysis fluid line carrier of FIG. 1.

FIG. 8 is a perspective view of a dialysis fluid line set that includes various dialysis fluid lines and components secured to the dialysis fluid line carrier of FIG. 1. The various fluid lines and components are shown in dashed lines as a representation of environment and are not elements of the claimed design.

FIG. 9 is a front plan view of the dialysis fluid line set of FIG. 8.

FIG. 10 is a rear plan view of the dialysis fluid line set of FIG. 8.

FIG. 11 is a first side view of the dialysis fluid line set of FIG. 8.

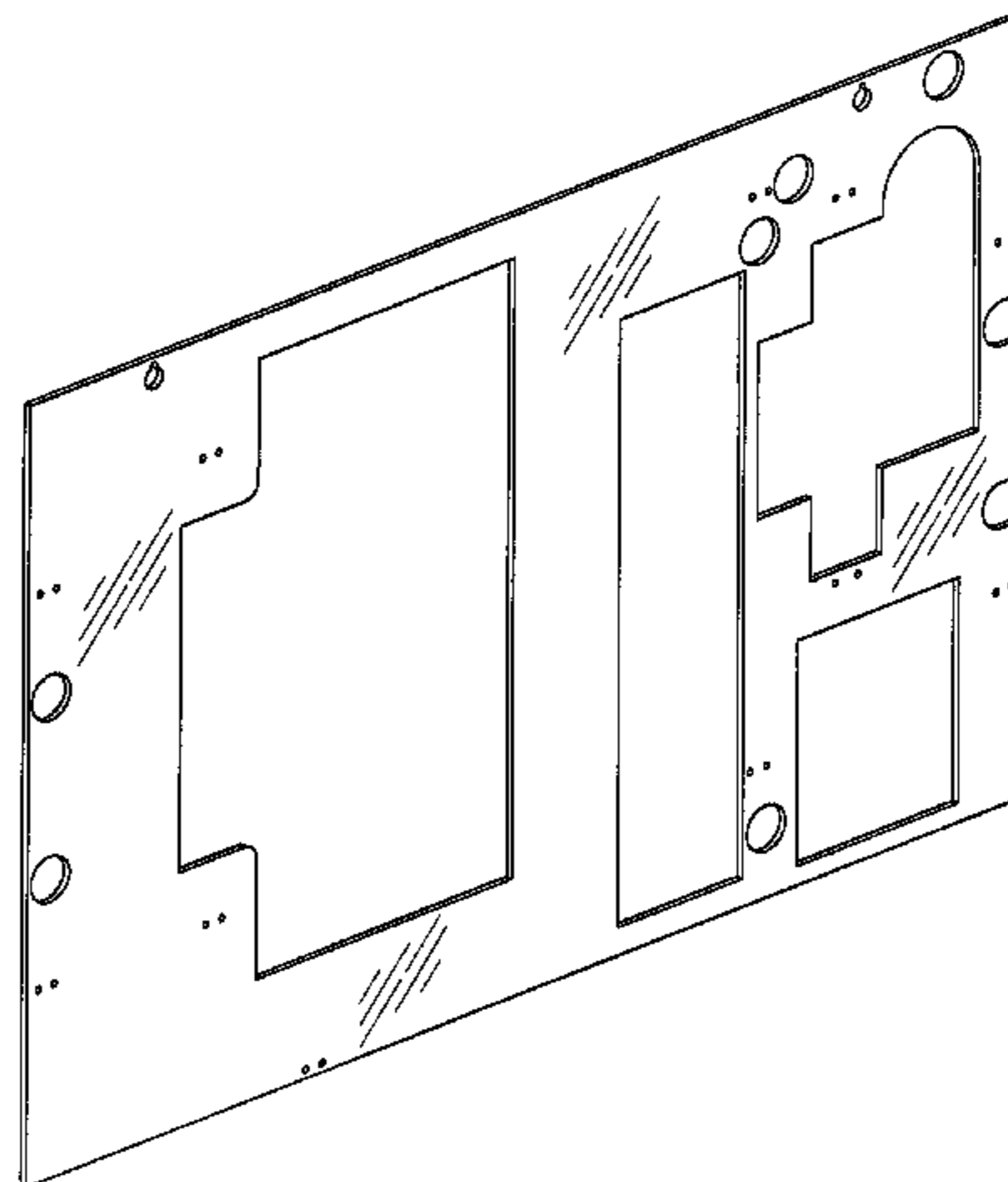
FIG. 12 is an opposite, second side view of the dialysis fluid line set of FIG. 8.

FIG. 13 is a top view of the dialysis fluid line set of FIG. 8.

FIG. 14 is a bottom view of the dialysis fluid line set of FIG. 8; and,

FIG. 15 is a front plan view of the dialysis fluid line set of FIG. 8 secured to a dialysis machine during use. The dialysis machine, like the various dialysis fluid lines and components, is shown in dashed lines as a representation of environment and is not an element of the claimed design.

1 Claim, 11 Drawing Sheets



US D681,210 S

Page 2

U.S. PATENT DOCUMENTS

4,026,669	A	5/1977	Leonard et al.
4,187,057	A	2/1980	Xanthopoulos
4,370,983	A	2/1983	Lichtenstein
4,643,713	A	2/1987	Viitala
4,662,906	A	5/1987	Matkovich et al.
4,702,675	A	10/1987	Aldrovandi et al.
4,997,464	A	3/1991	Kopf
5,061,236	A	10/1991	Sutherland et al.
5,330,425	A	7/1994	Utterberg
5,425,173	A	6/1995	Moss et al.
5,441,636	A	8/1995	Chevallet et al.
5,460,490	A	10/1995	Carr et al.
5,578,070	A	11/1996	Utterberg
5,614,677	A	3/1997	Wamsiedler et al.
5,643,205	A	7/1997	Utterberg
5,788,671	A	8/1998	Johnson
5,849,065	A	12/1998	Wojke
5,928,177	A	7/1999	Brugger et al.
5,938,634	A	8/1999	Packard
5,989,423	A	11/1999	Kamen et al.
6,179,801	B1	1/2001	Holmes et al.
6,196,987	B1	3/2001	Holmes et al.
6,200,287	B1	3/2001	Keller et al.
6,231,537	B1	5/2001	Holmes et al.
6,234,989	B1	5/2001	Brierton et al.
6,280,406	B1	8/2001	Dolecek et al.
6,337,049	B1	1/2002	Tamari
6,361,518	B1	3/2002	Brierton et al.
6,409,696	B1	6/2002	Toavs et al.
6,497,674	B1	12/2002	Steele et al.
6,514,225	B1	2/2003	Utterberg et al.
6,695,803	B1	2/2004	Robinson et al.
6,725,726	B1	4/2004	Adolfs et al.
6,730,055	B2	5/2004	Bainbridge et al.
6,743,201	B1	6/2004	Donig et al.
6,755,801	B2	6/2004	Utterberg et al.
6,764,460	B2	7/2004	Dolecek et al.
6,790,195	B2	9/2004	Steele et al.
6,852,090	B2	2/2005	Burbank et al.

6,887,214	B1	5/2005	Levin et al.
7,021,148	B2	4/2006	Kuhn et al.
7,115,107	B2	10/2006	Delnevo et al.
7,238,164	B2	7/2007	Childers et al.
7,476,209	B2	1/2009	Gara et al.
7,517,387	B2	4/2009	Chevallet et al.
2002/0014462	A1	2/2002	Muller
2002/0072718	A1	6/2002	Brugger et al.
2004/0238416	A1	12/2004	Burbank et al.
2005/0054968	A1	3/2005	Giannella
2005/0131332	A1	6/2005	Kelly et al.
2005/0230292	A1	10/2005	Beden et al.
2007/0106198	A1	5/2007	Folden et al.
2007/0193940	A1	8/2007	Duchamp et al.
2007/0269340	A1	11/2007	Dannenmaier et al.
2008/0033346	A1*	2/2008	Childers et al. 604/29
2008/0058711	A1*	3/2008	Neftel et al. 604/29
2008/0132828	A1*	6/2008	Howard 604/29
2009/0010566	A1	1/2009	Meijers
2010/0222735	A1	9/2010	Plahey et al.
2012/0031502	A1*	2/2012	Randall et al. 137/15.01
2012/0091053	A1*	4/2012	Crnkovich et al. 210/236
2012/0248017	A1*	10/2012	Beiriger et al. 210/143

FOREIGN PATENT DOCUMENTS

EP	0728509	8/1996
EP	1529545	5/2005
WO	WO 96/40322	12/1996
WO	WO 9702056	1/1997
WO	WO 0108722	2/2001
WO	WO 0164312	9/2001
WO	WO 2005/044341	5/2005
WO	WO 2005077490	8/2005

OTHER PUBLICATIONS

Manns, Markus et al., "The acu-men: A new device for continuous renal replacement therapy in acute renal failure," *Kidney International*, vol. 54, pp. 268-274, 1998.

* cited by examiner

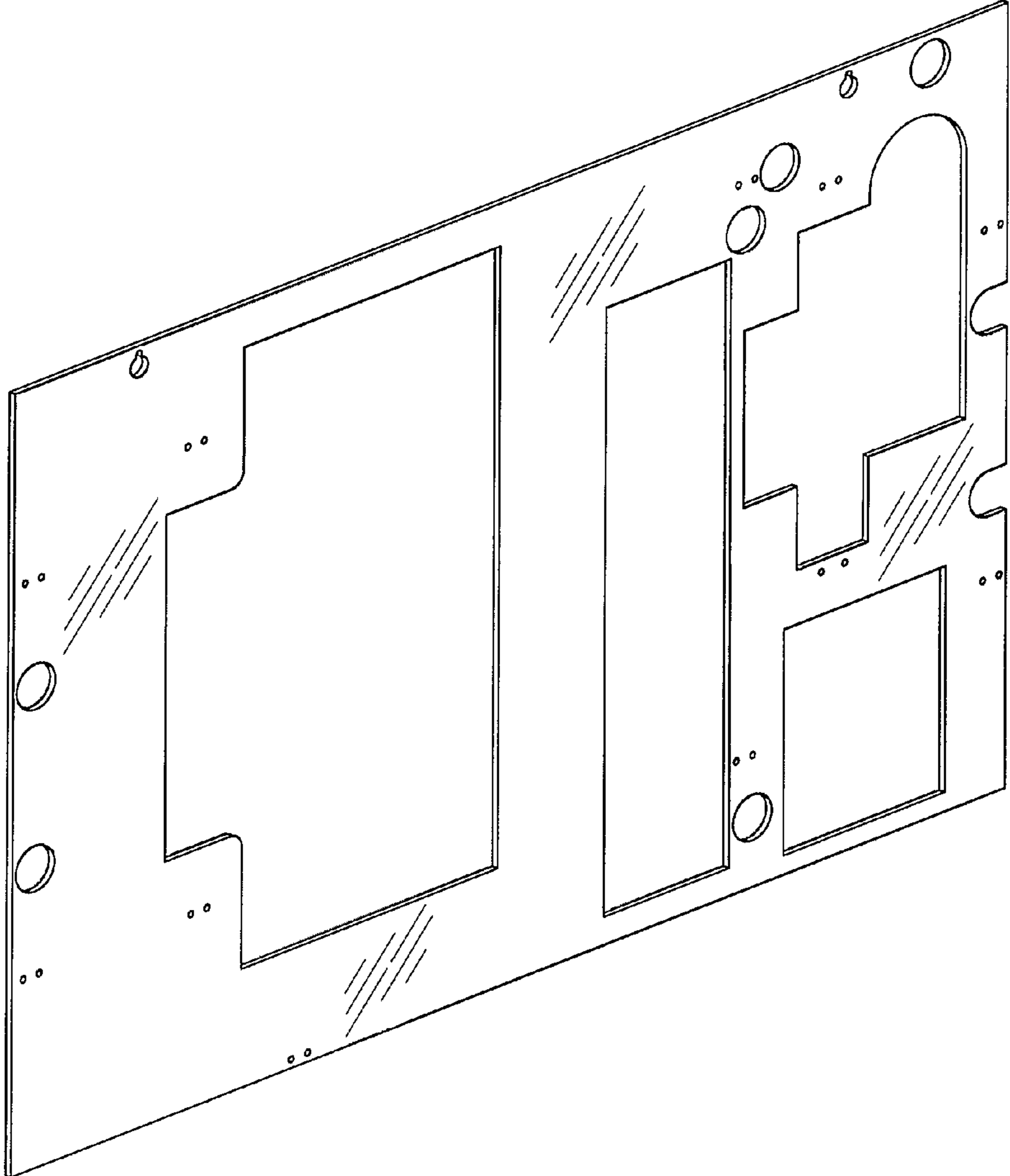


FIG. 1

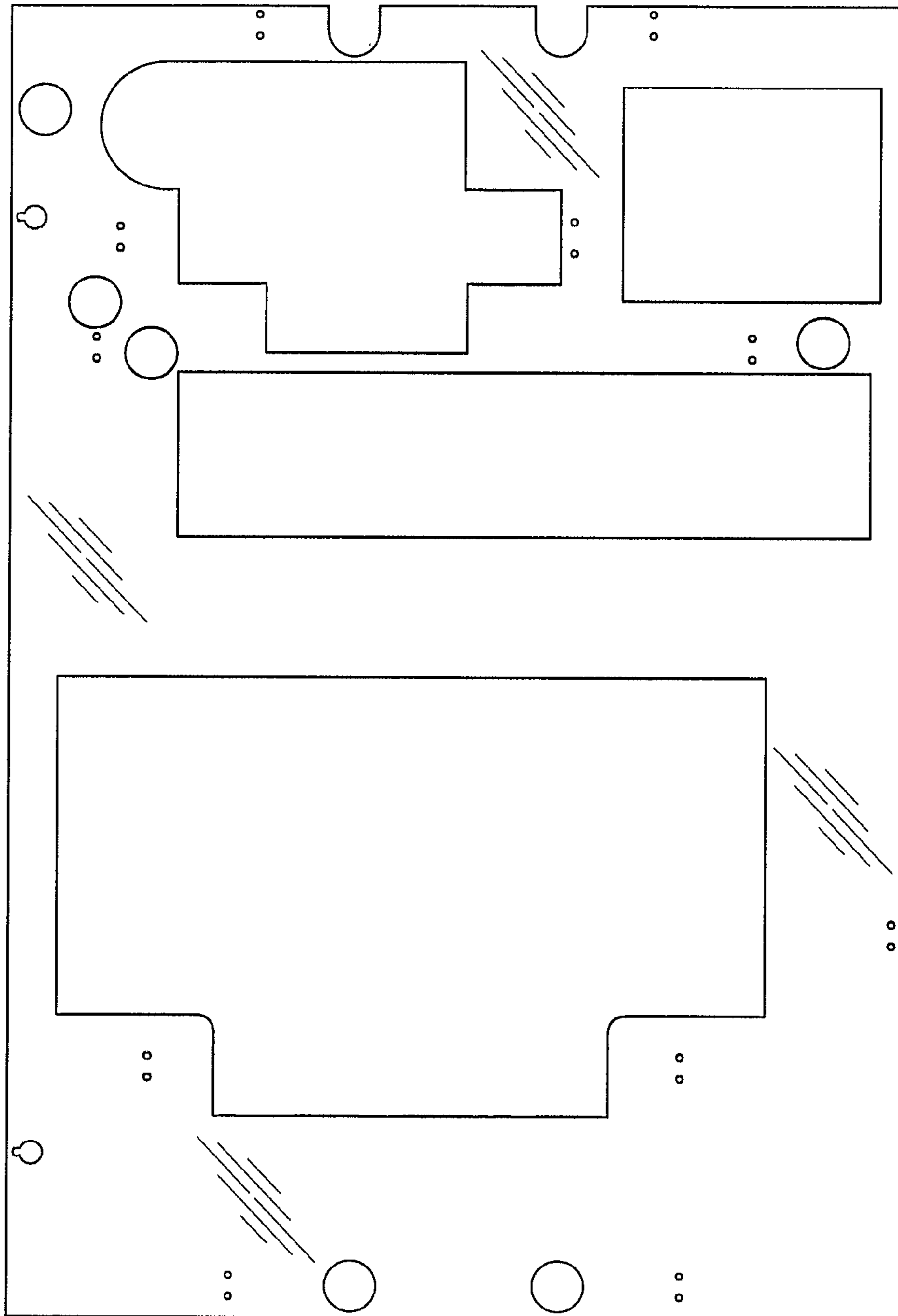


FIG. 2

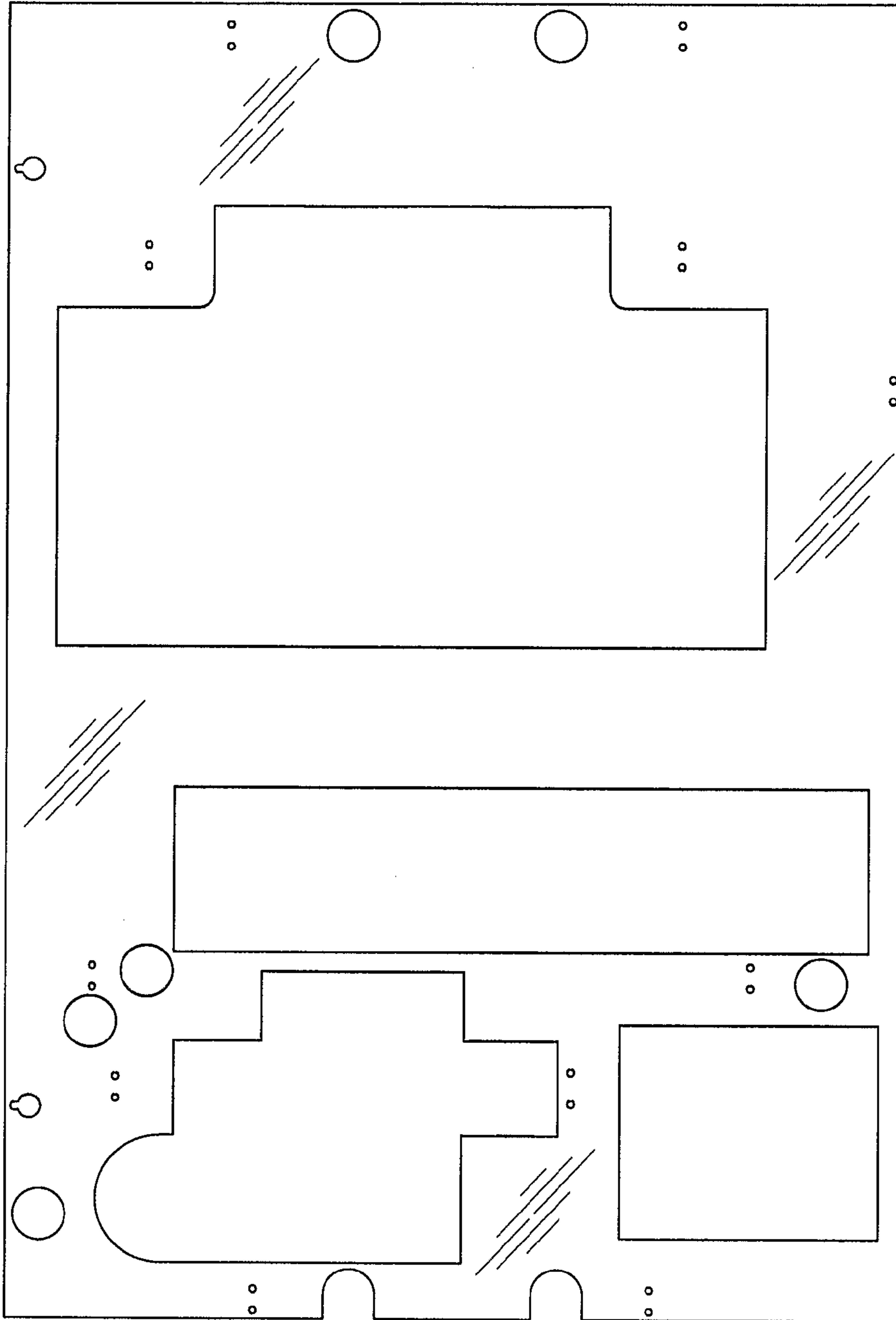


FIG. 3



FIG. 4



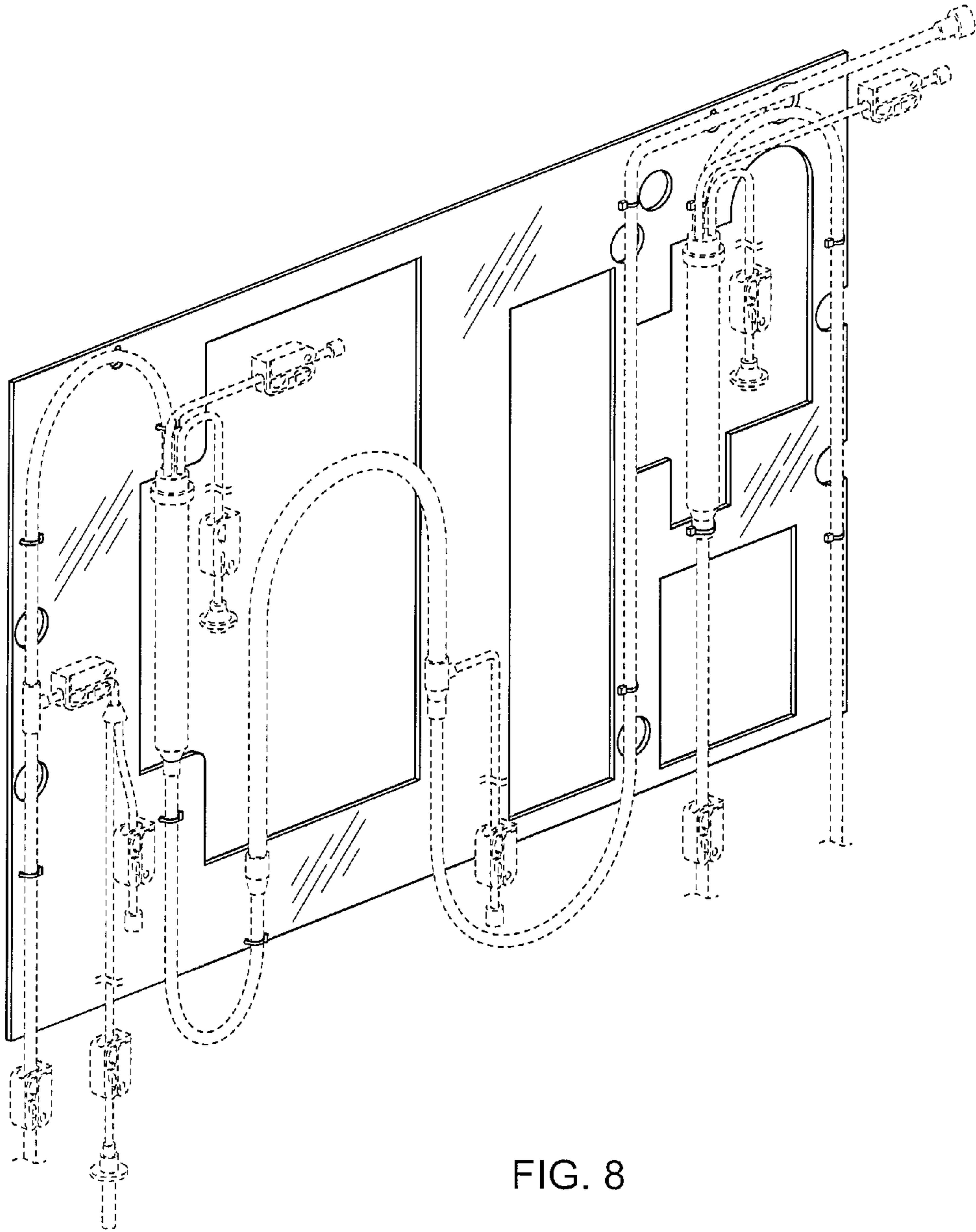
FIG. 5



FIG. 6



FIG. 7



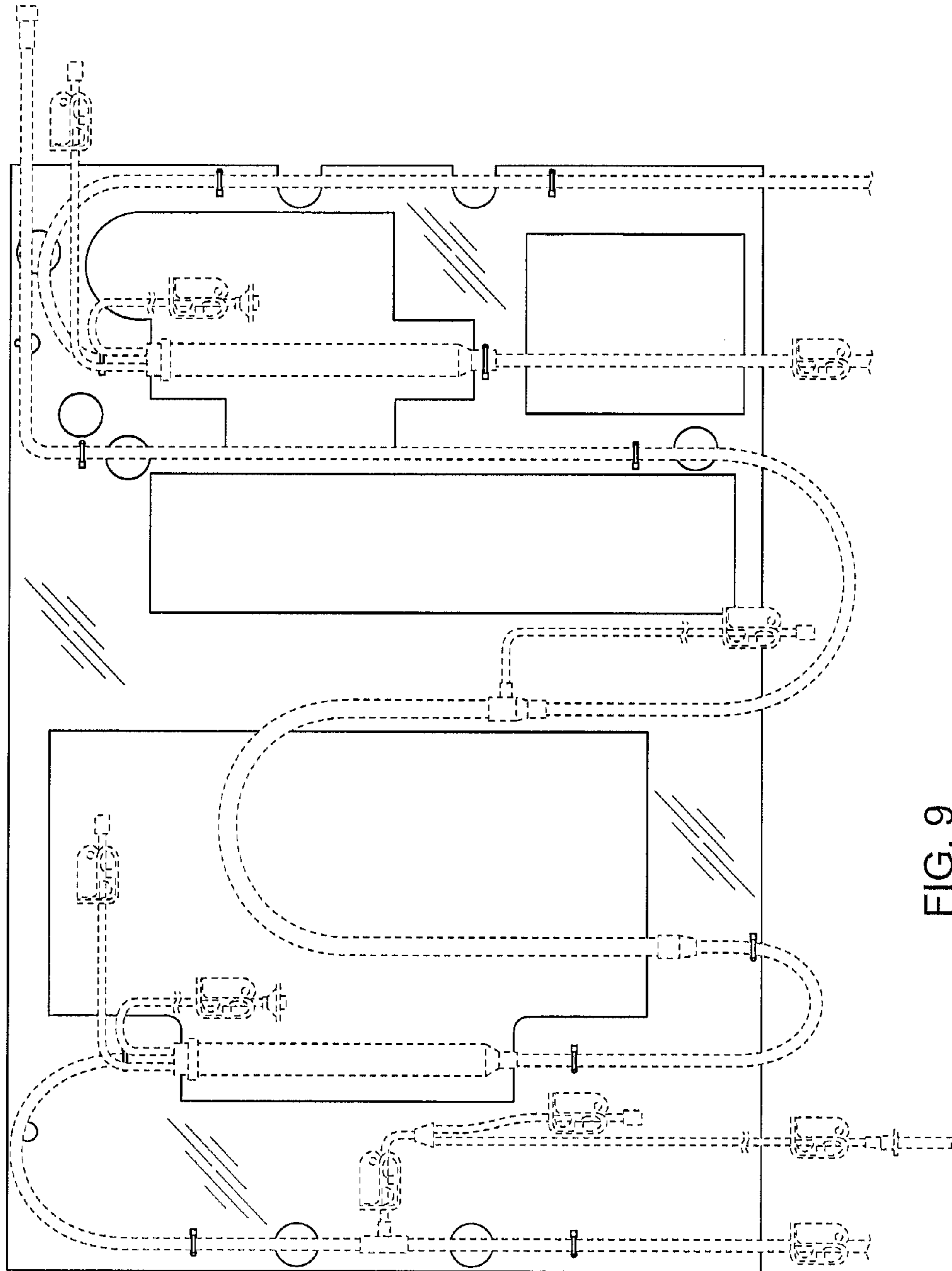


FIG. 9

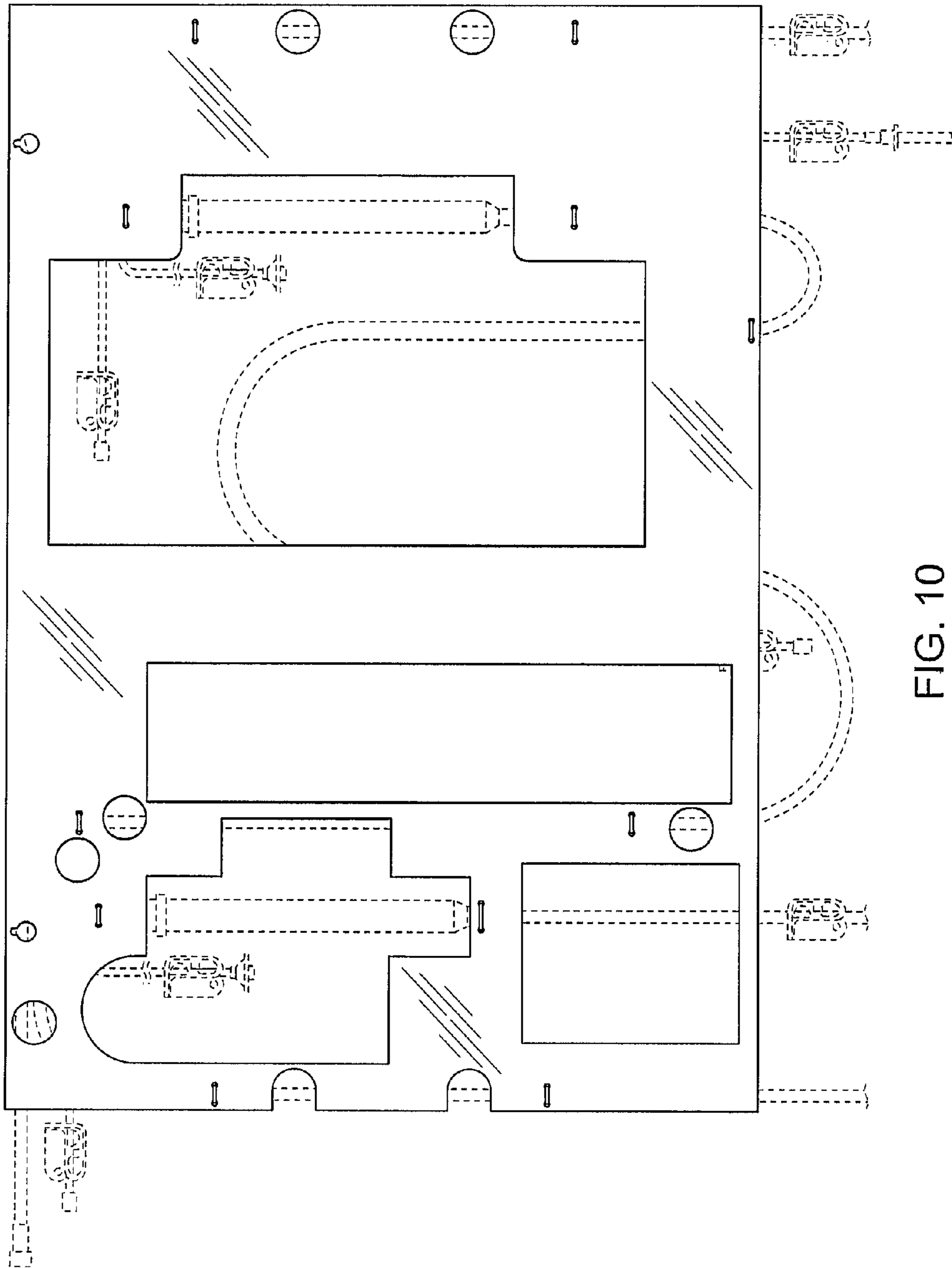


FIG. 10



FIG. 11

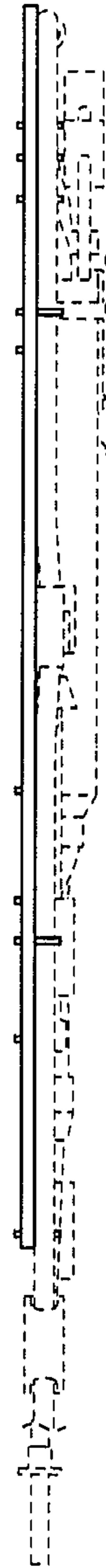


FIG. 12

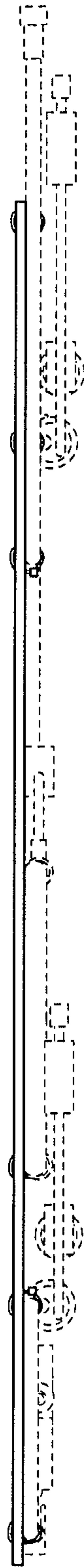


FIG. 13

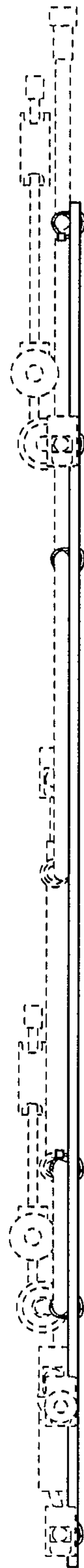


FIG. 14

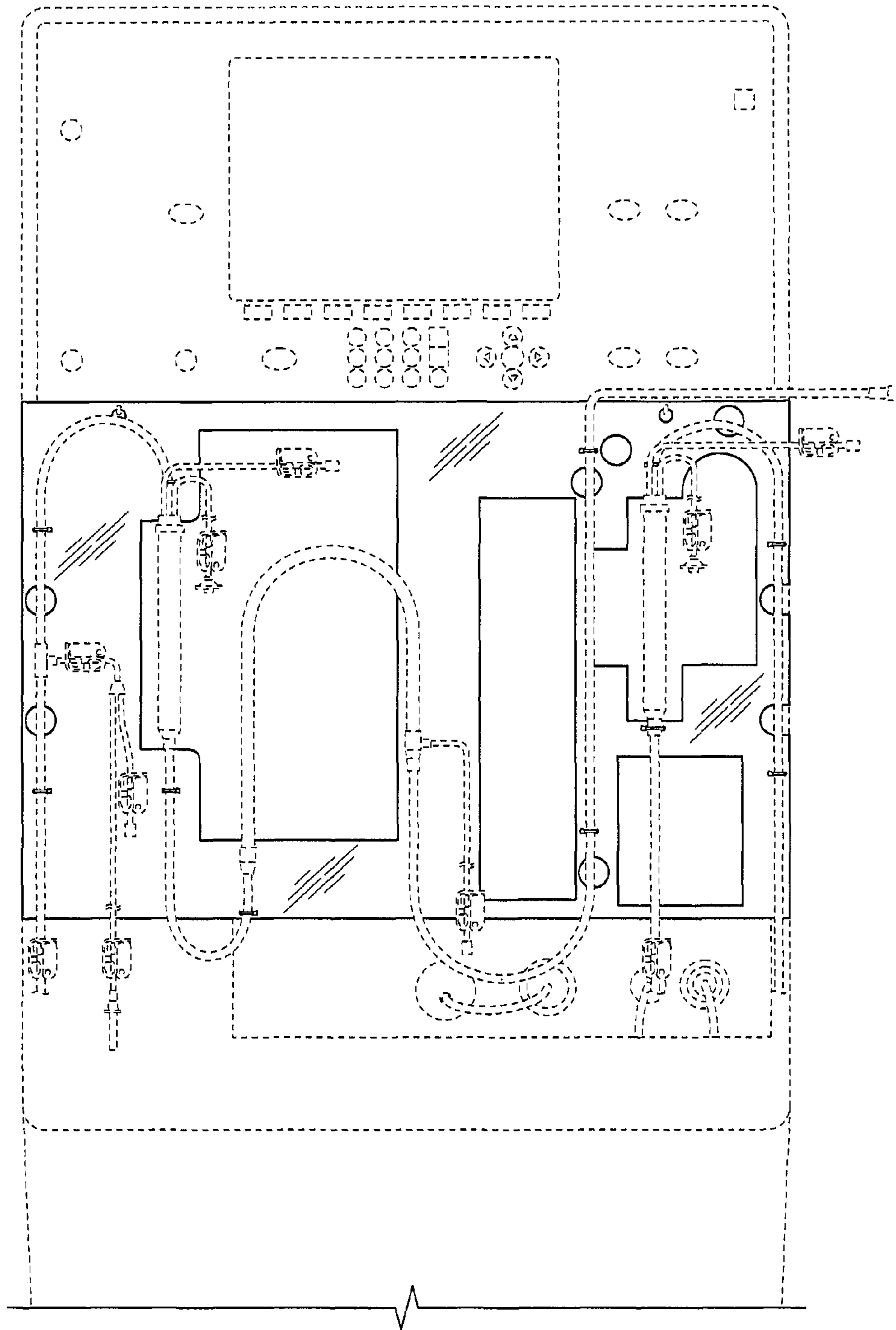


FIG. 15