



US00D681209S

(12) **United States Design Patent**
Kawamura et al.

(10) **Patent No.:** **US D681,209 S**
(45) **Date of Patent:** **** Apr. 30, 2013**

(54) **OXYGENATOR**

(75) Inventors: **Shin-ichi Kawamura**, Osaka (JP);
Kazuhisa Ishihara, Osaka (JP); **Naoaki Yasumura**, Osaka (JP)

(73) Assignee: **Nipro Corporation**, Osaka-shi (JP)

(**) Term: **14 Years**

(21) Appl. No.: **29/385,478**

(22) Filed: **Feb. 15, 2011**

(30) **Foreign Application Priority Data**

Aug. 17, 2010 (JP) D2010-019869

(51) **LOC (9) Cl.** **24-01**

(52) **U.S. Cl.**
USPC **D24/169**

(58) **Field of Classification Search** 210/321.6,
210/321.89, 500.23, 500.26; 604/6.14, 4,
604/5, 406; 422/44, 45, 46, 47, 48; D24/169
See application file for complete search history.

(56) **References Cited**

U.S. PATENT DOCUMENTS

D290,875 S * 7/1987 Badolato et al. D24/169
D320,661 S * 10/1991 Sone D24/169

5,762,875 A * 6/1998 Gremel et al. 422/45
2010/0272606 A1 * 10/2010 Carpenter et al. 422/46
2010/0274170 A1 * 10/2010 Carpenter et al. 604/6.09

FOREIGN PATENT DOCUMENTS

WO WO 97/33636 A1 9/1997

* cited by examiner

Primary Examiner — T. Chase Nelson
Assistant Examiner — Ania Aman

(74) *Attorney, Agent, or Firm* — Birch, Stewart, Kolasch & Birch, LLP

(57) **CLAIM**

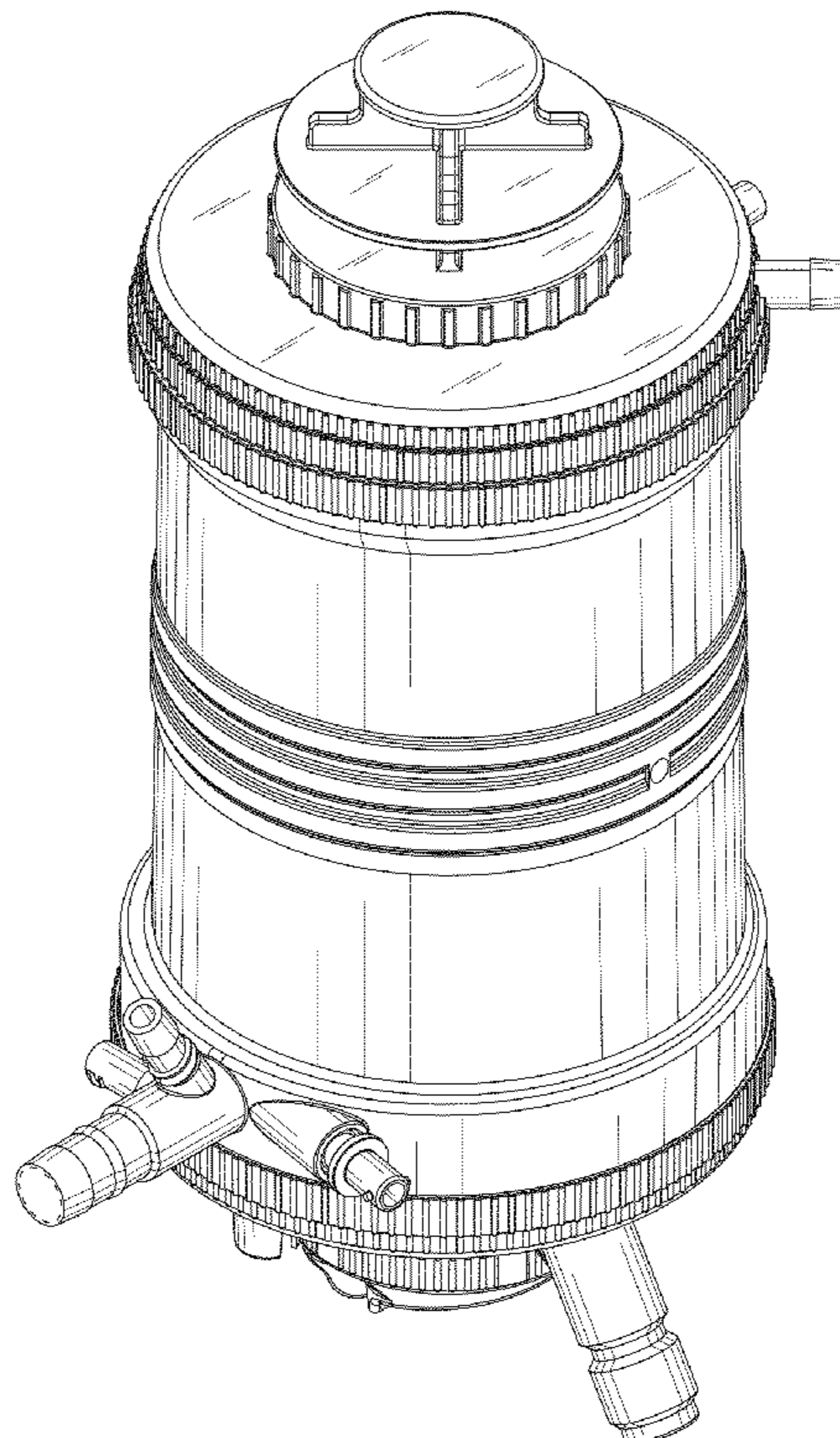
The ornamental design for an oxygenator, as shown and described.

DESCRIPTION

FIG. 1 is a first perspective view of an oxygenator;
FIG. 2 is a second perspective view thereof;
FIG. 3 is a front view thereof;
FIG. 4 is a rear view thereof;
FIG. 5 is a left side view thereof;
FIG. 6 is a right side view thereof;
FIG. 7 is a top view thereof; and,
FIG. 8 is a bottom view thereof.

The broken line showing in the figures illustrates the environment and forms no part of the claimed design.

1 Claim, 8 Drawing Sheets



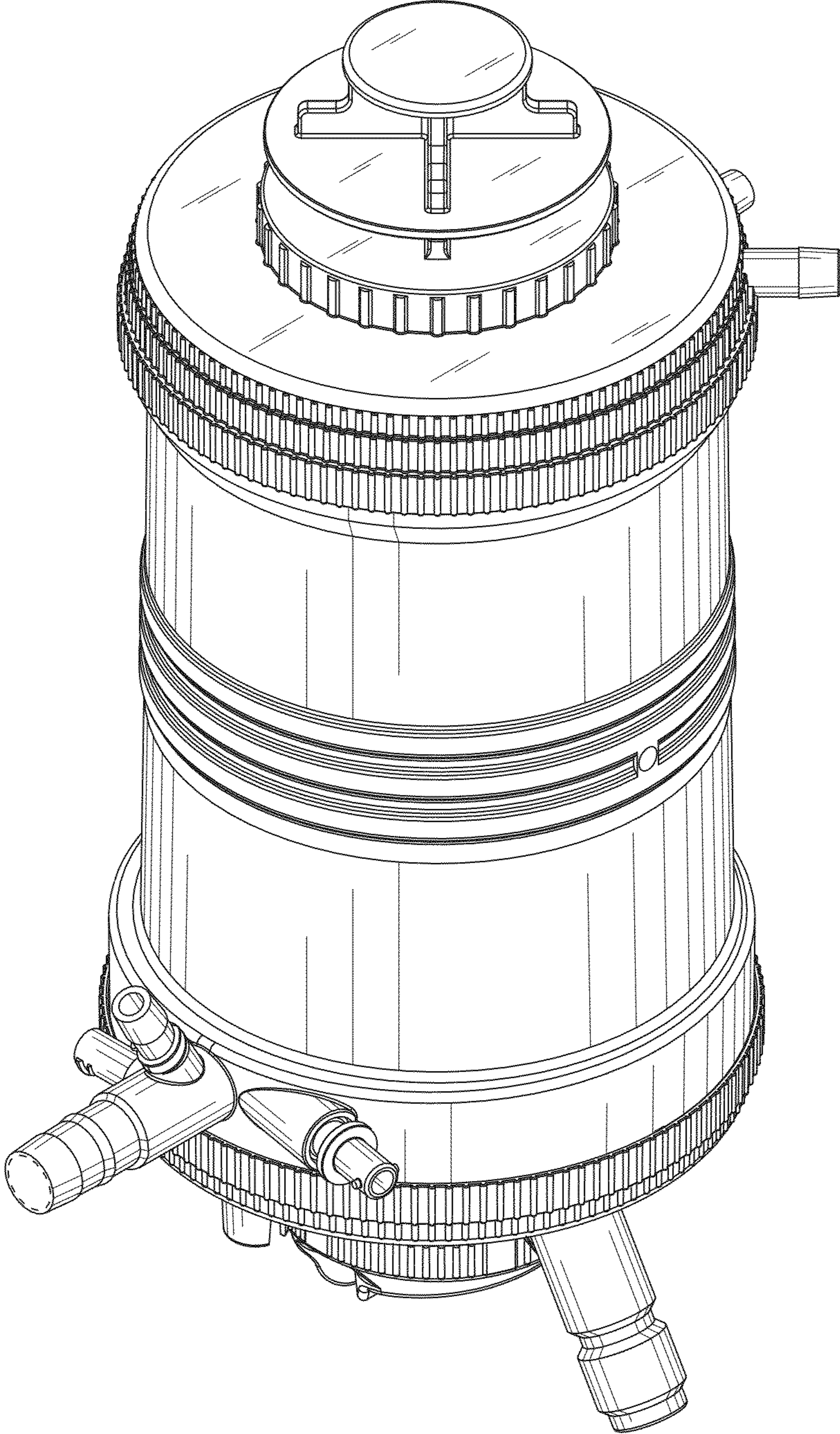


Fig. 1

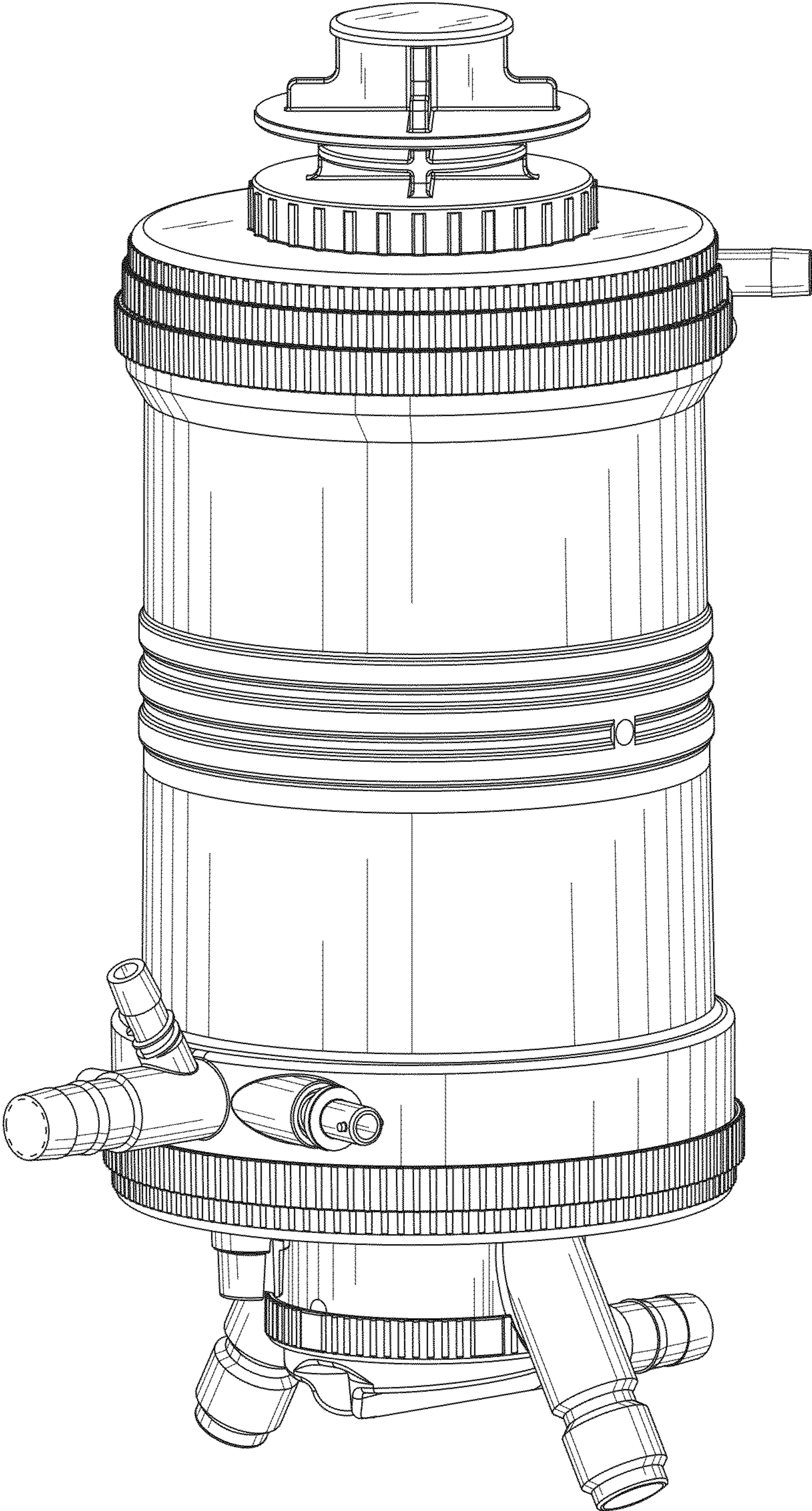


Fig.2

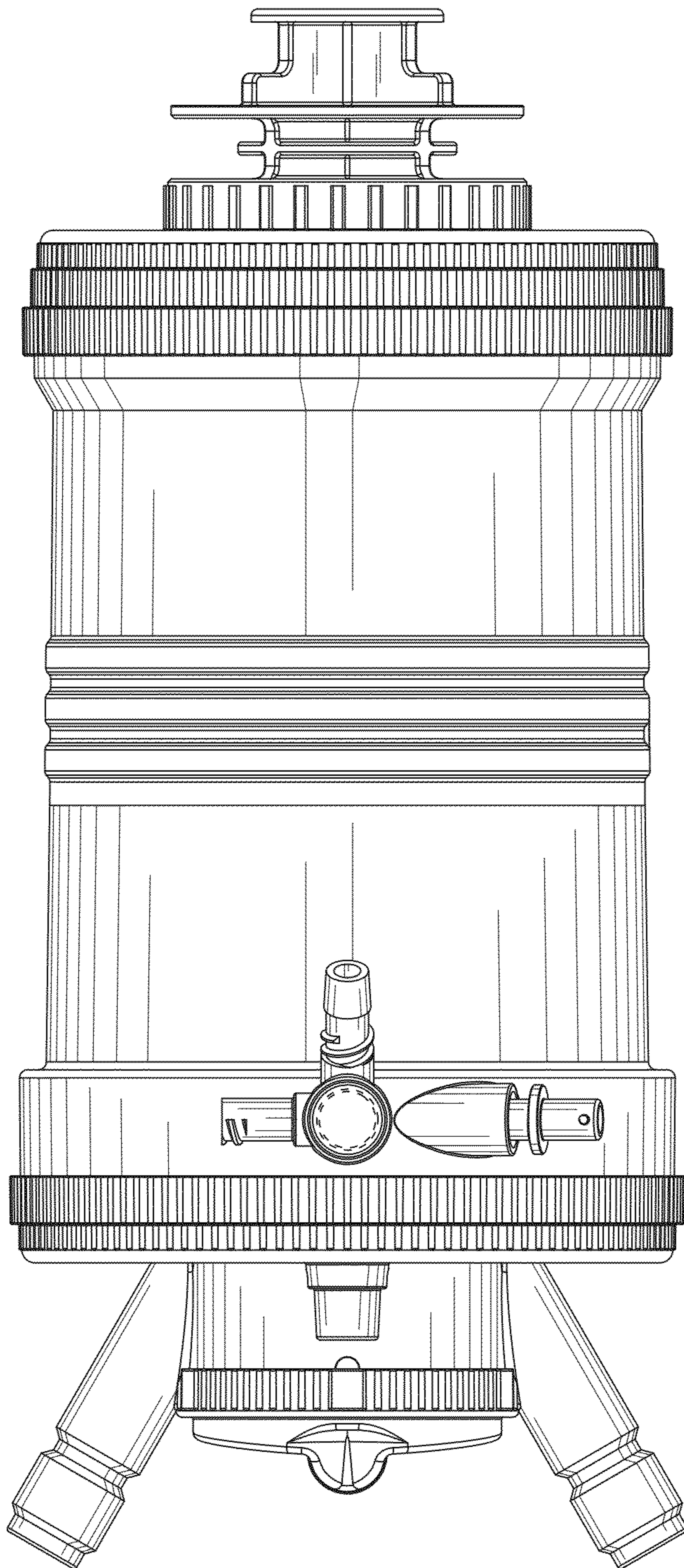


Fig.3

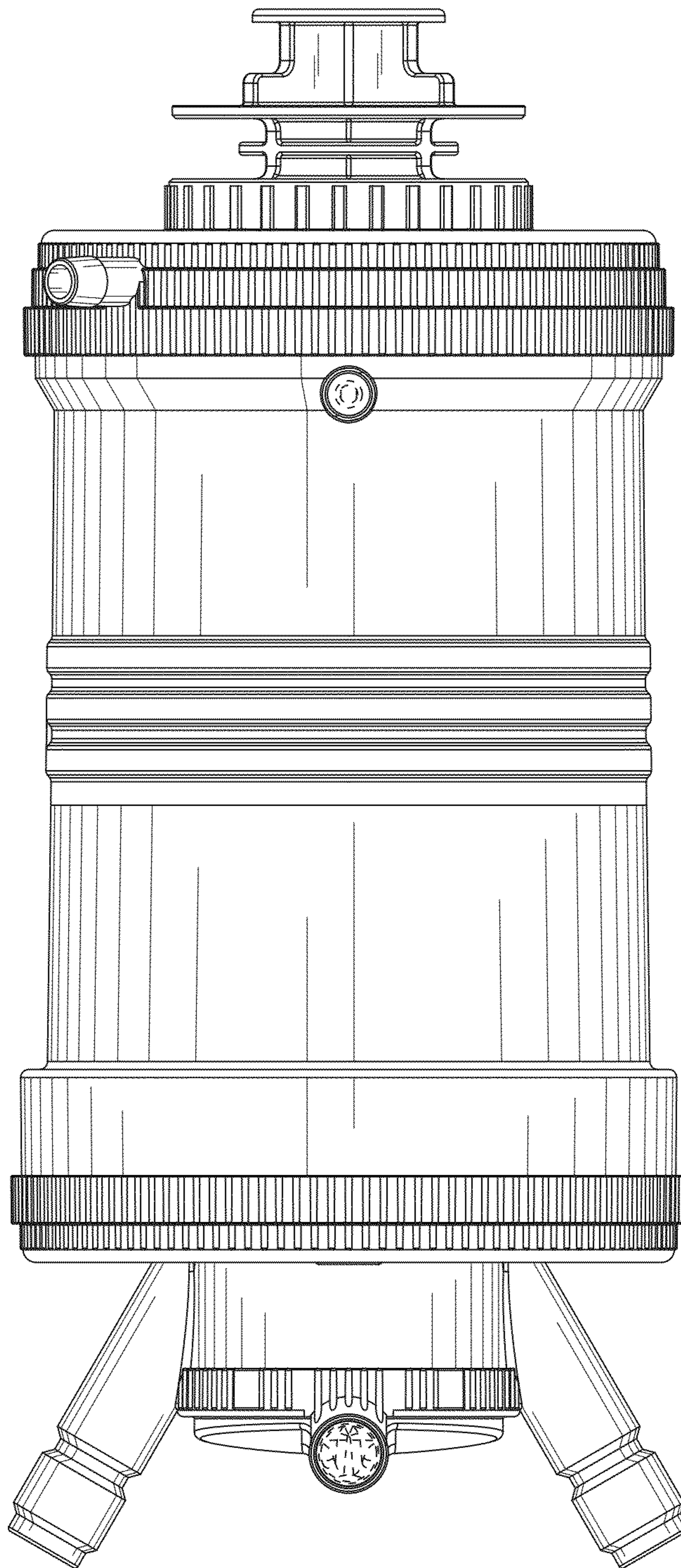


Fig.4

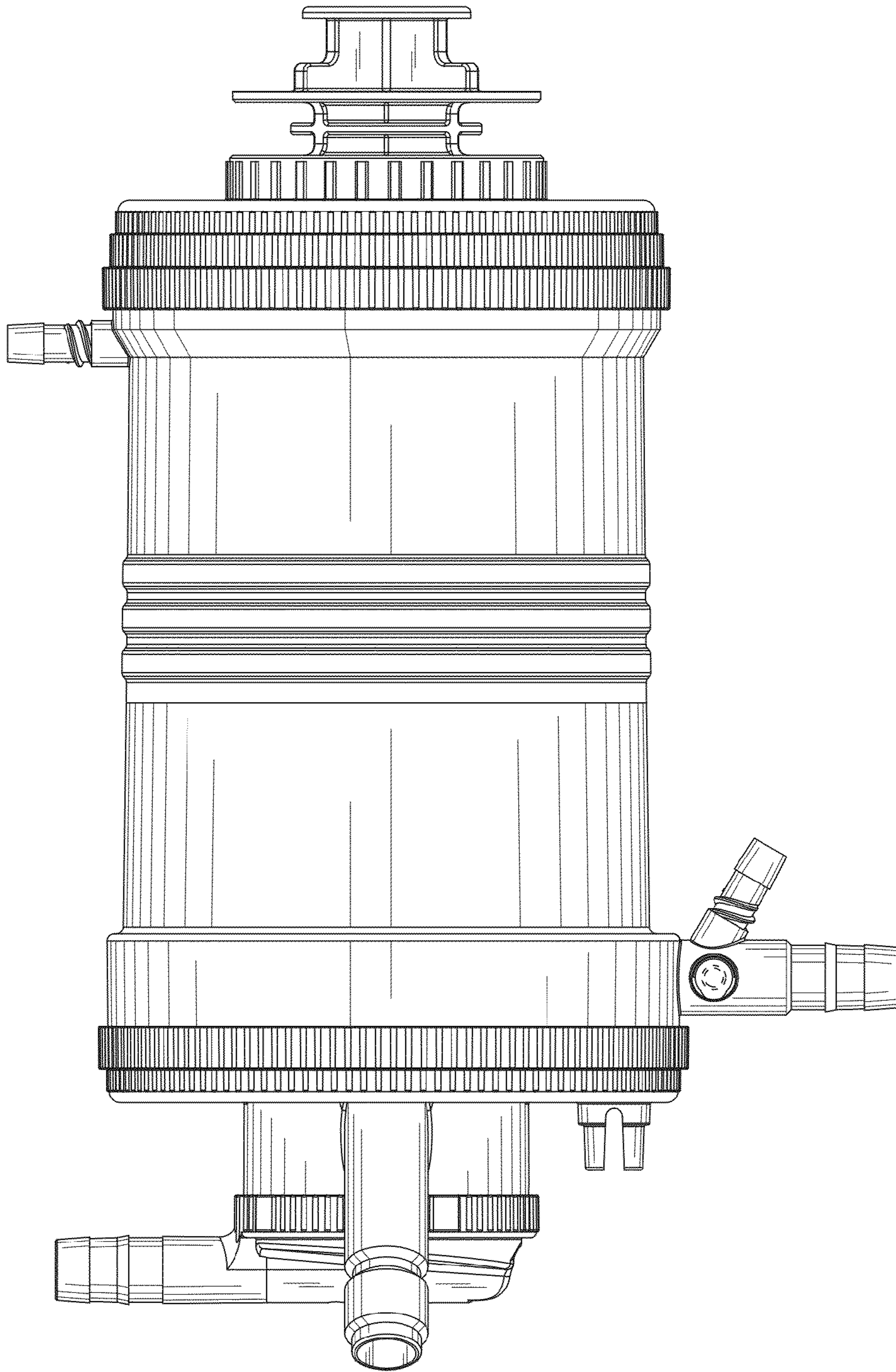


Fig.5

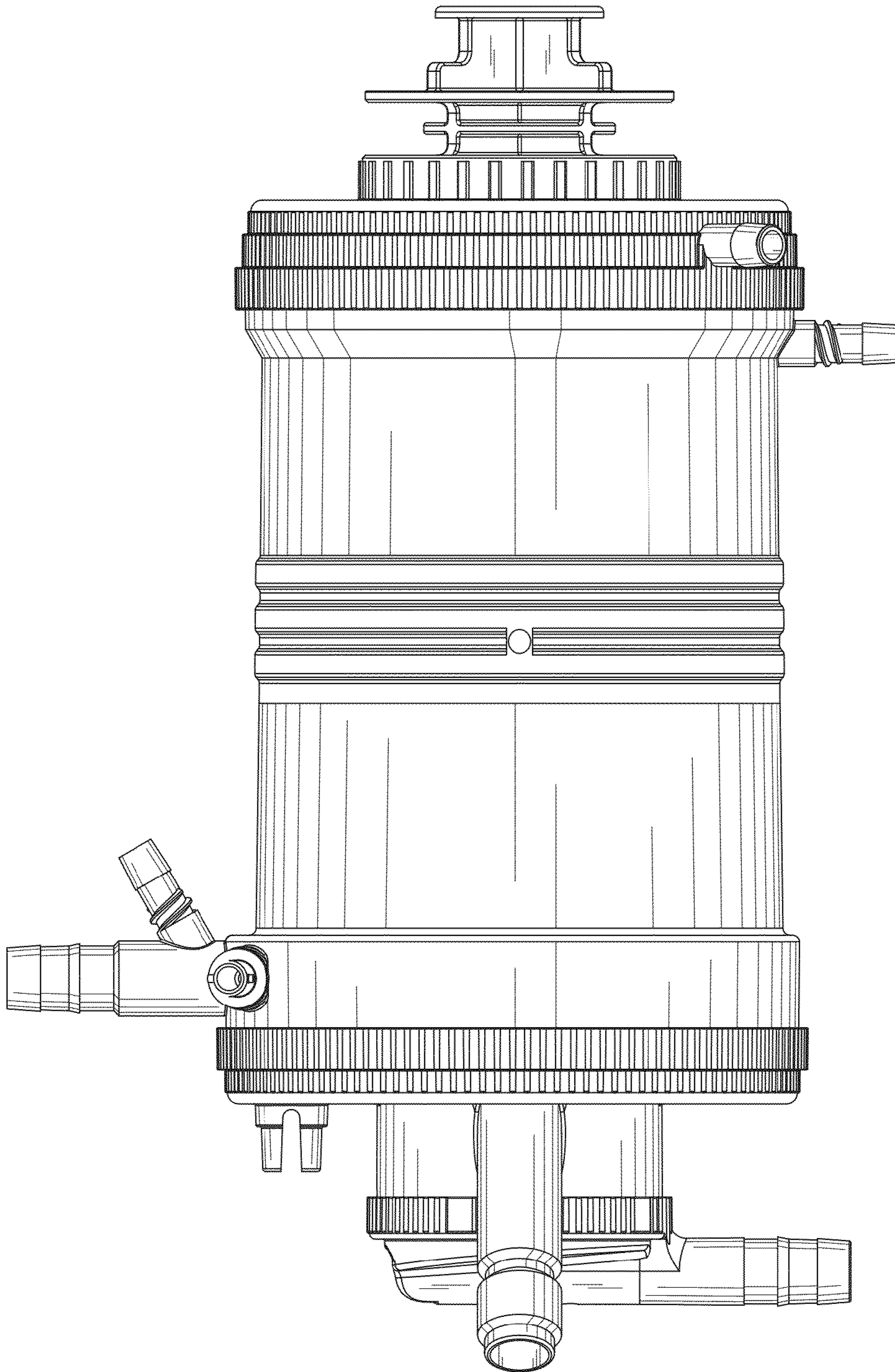


Fig.6

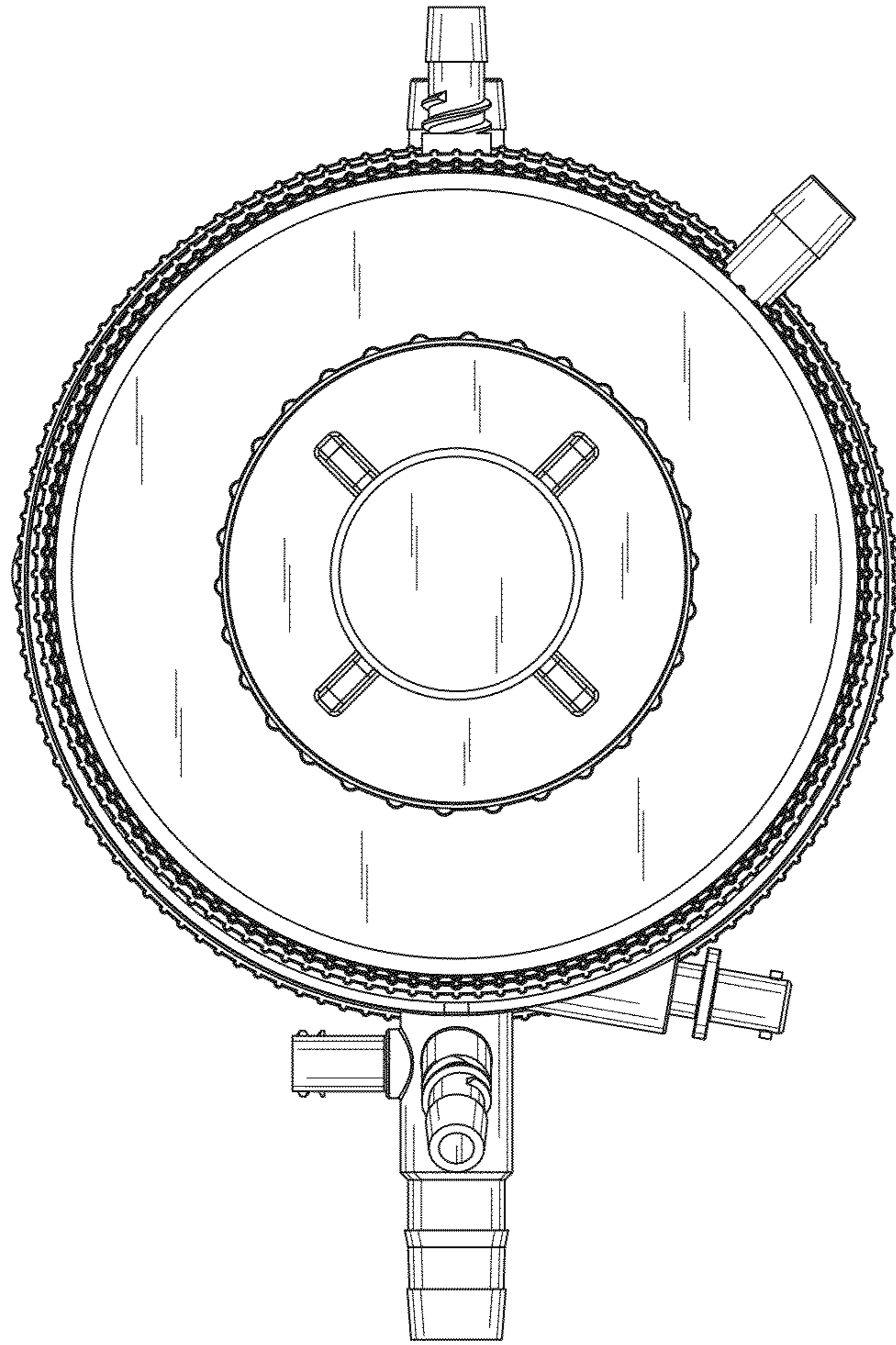


Fig.7

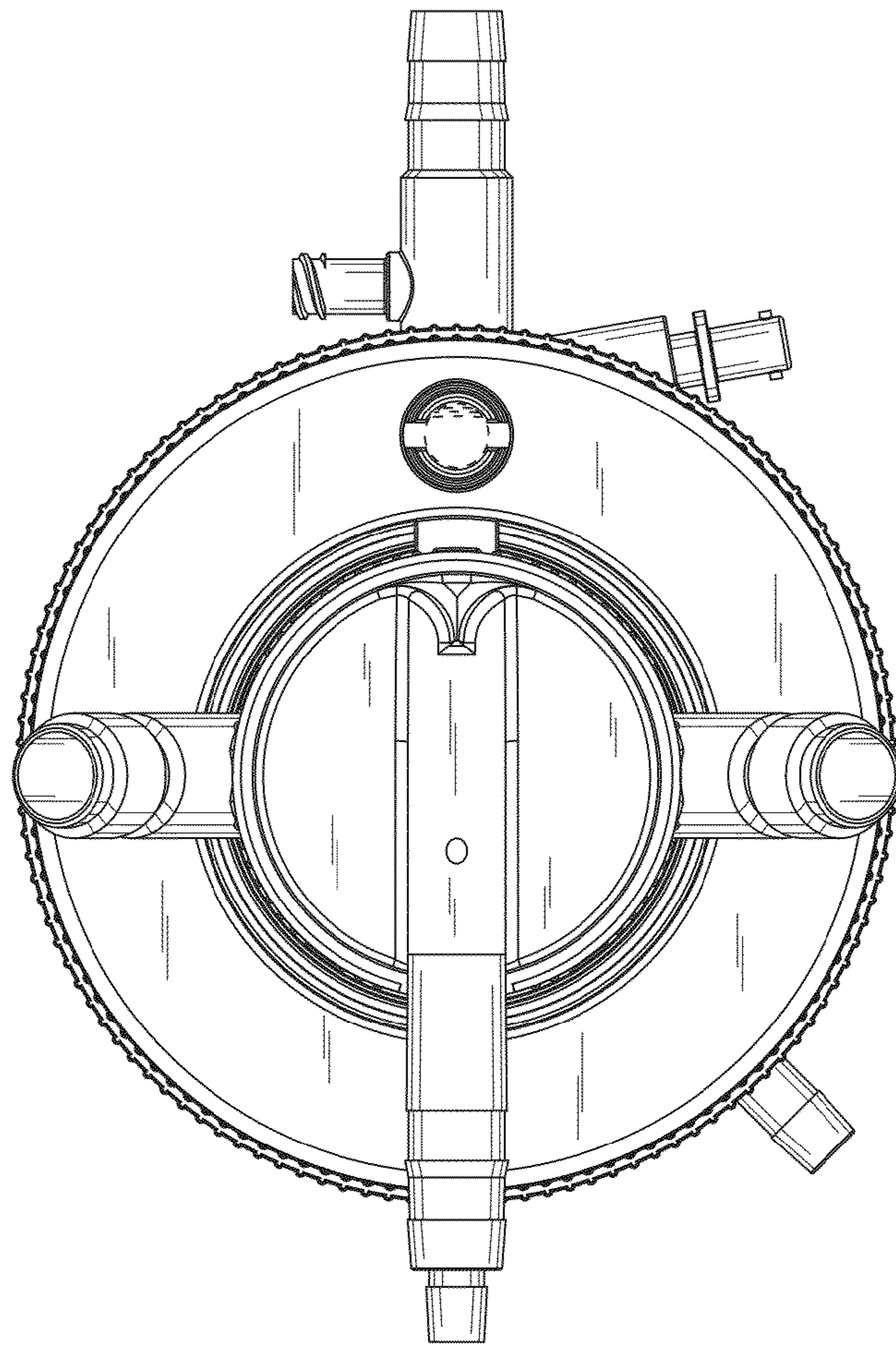


Fig.8