



US00D681208S

(12) **United States Design Patent**
Ninomiya et al.

(10) **Patent No.:** **US D681,208 S**
(45) **Date of Patent:** **** Apr. 30, 2013**

(54) **BED FOR MAGNETIC RESONANCE
IMAGING APPARATUS**

(75) Inventors: **Atsushi Ninomiya**, Tokyo (JP); **Masaru
Yokoyama**, Tokyo (JP); **Kazuyuki
Yanase**, Tokyo (JP); **Manabu
Yanagimoto**, Tokyo (JP); **Satoshi
Yamashita**, Tokyo (JP); **Satoshi Iizuka**,
Tokyo (JP)

(73) Assignee: **Hitachi Medical Corporation**, Tokyo
(JP)

(**) Term: **14 Years**

(21) Appl. No.: **29/420,402**

(22) Filed: **May 9, 2012**

(30) **Foreign Application Priority Data**

Nov. 18, 2011 (JP) 2011-26690

(51) **LOC (9) Cl.** **24-01**

(52) **U.S. Cl.**
USPC **D24/159**

(58) **Field of Classification Search** D24/158-161,
D24/185, 186, 183, 184; 378/4, 15, 17, 20,
378/21, 23-27, 62, 68, 146, 195-198

See application file for complete search history.

(56) **References Cited**

U.S. PATENT DOCUMENTS

D441,868 S *	5/2001	Rodenas Santiago et al.	D24/183
D462,445 S *	9/2002	Barde et al.	D24/183
D527,459 S *	8/2006	Gireesh	D24/183
D553,246 S *	10/2007	Banryu	D24/183
7,378,660 B2 *	5/2008	Case et al.	378/4
D630,330 S *	1/2011	Baba	D24/159
D659,248 S *	5/2012	Ramos	D24/159

* cited by examiner

Primary Examiner — Anhdao Doan

(74) *Attorney, Agent, or Firm* — Antonelli, Terry, Stout &
Kraus, LLP.

(57) **CLAIM**

The ornamental design for a bed for magnetic resonance
imaging apparatus, as shown.

DESCRIPTION

FIG. 1 is a front, top and right side perspective view of a bed
for magnetic resonance imaging apparatus showing our new
design;

FIG. 2 is a front elevational view thereof;

FIG. 3 is a rear side elevational view thereof;

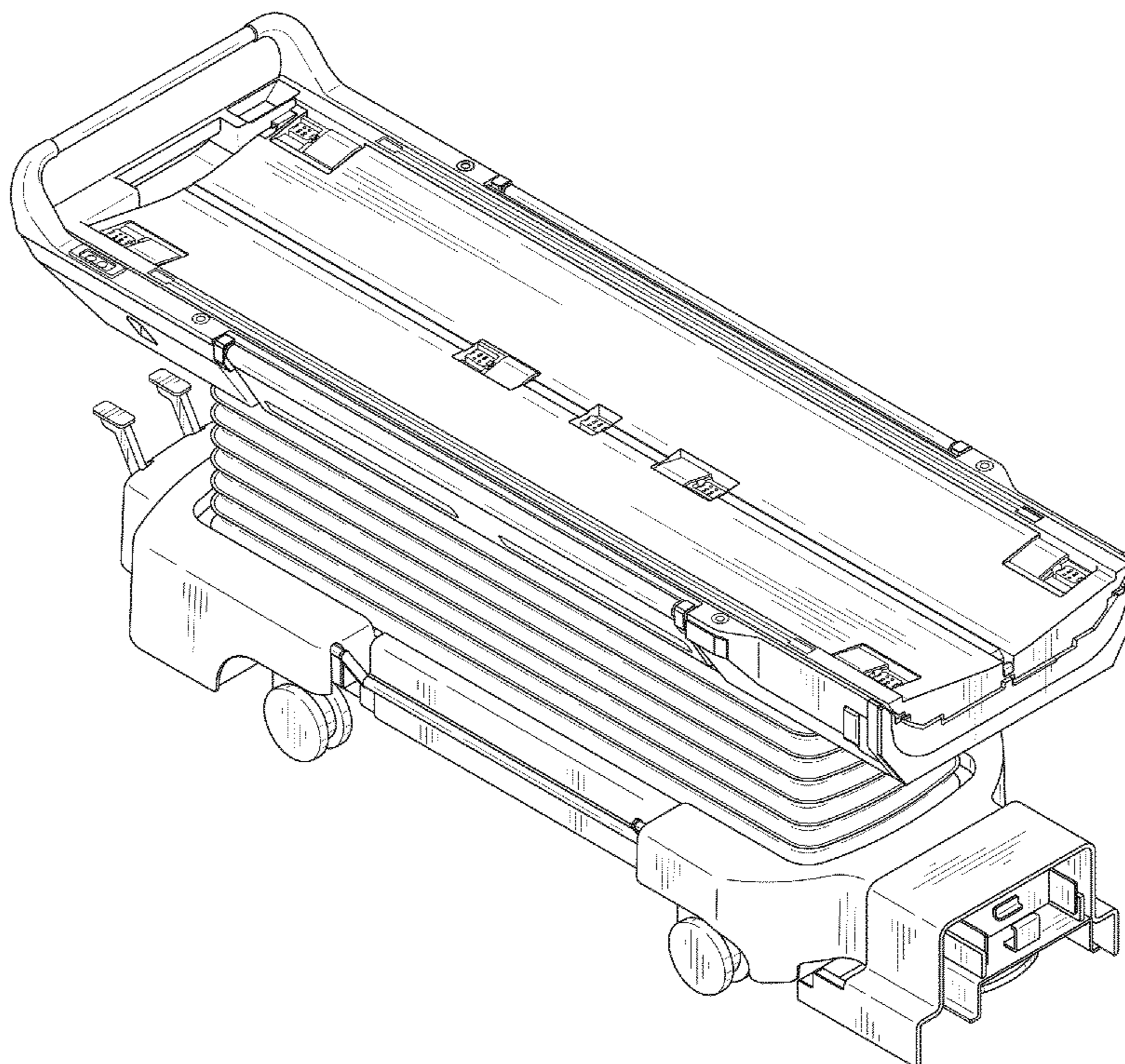
FIG. 4 is a left side elevational view thereof;

FIG. 5 is a right side elevational view thereof;

FIG. 6 is a top plan view thereof; and,

FIG. 7 is a bottom plan view thereof.

1 Claim, 6 Drawing Sheets



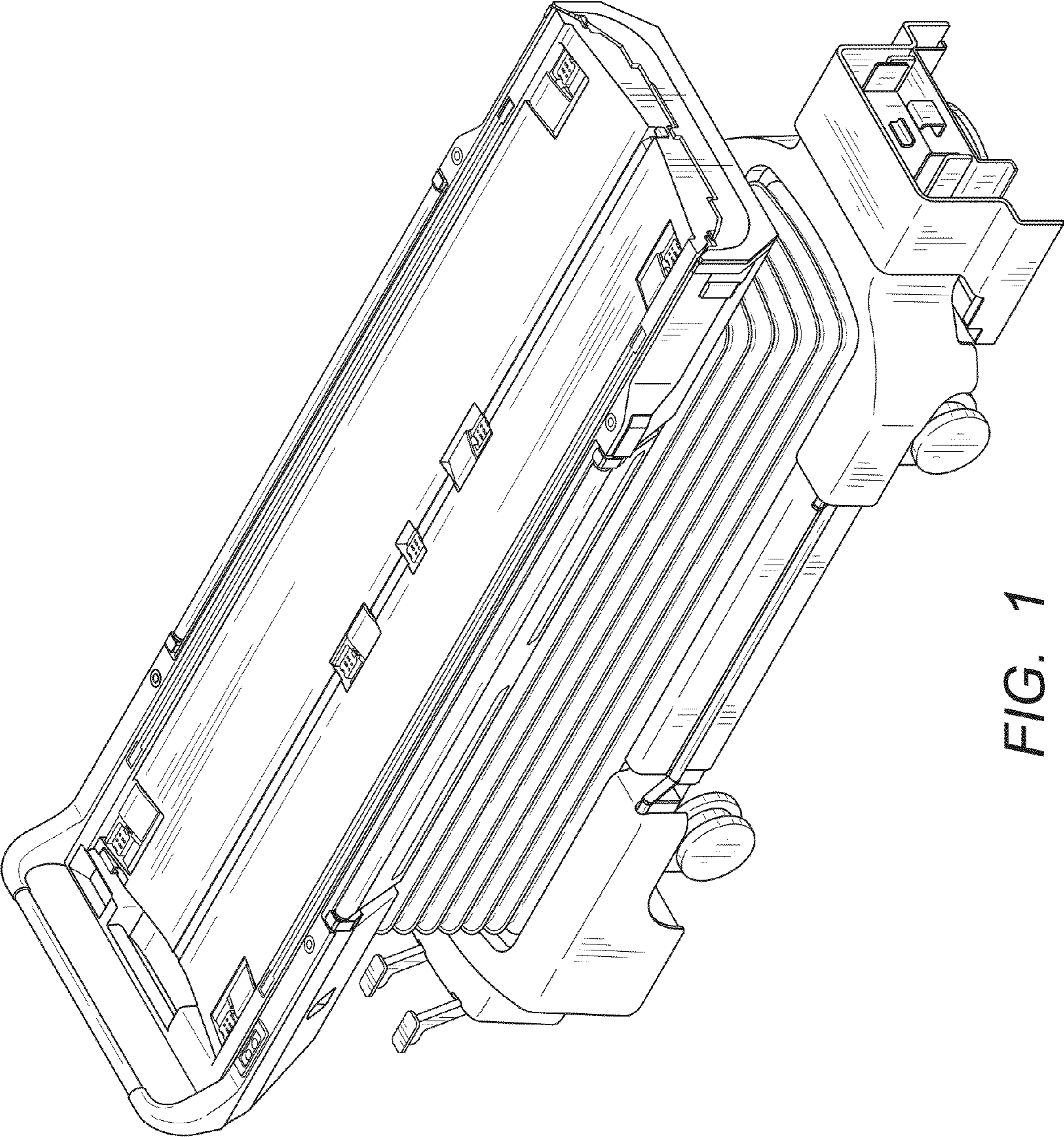


FIG. 1

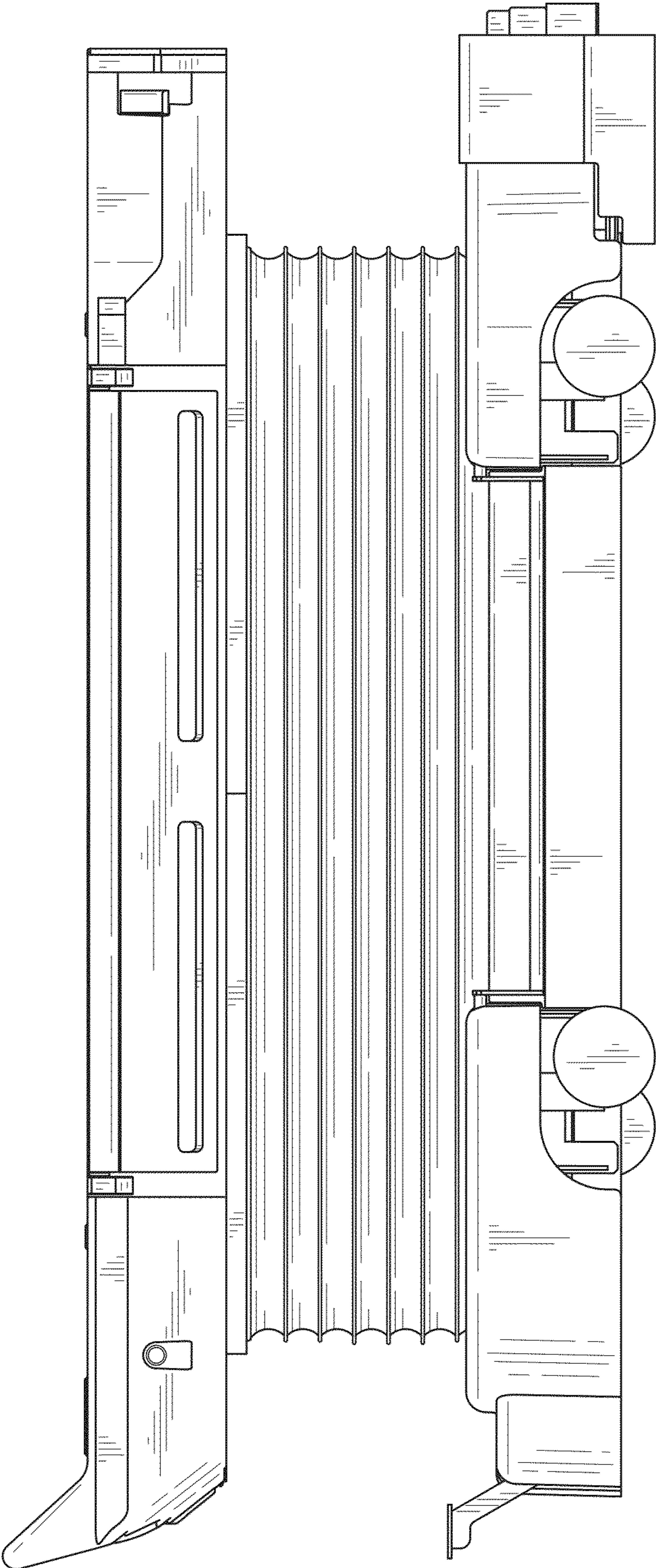


FIG. 2

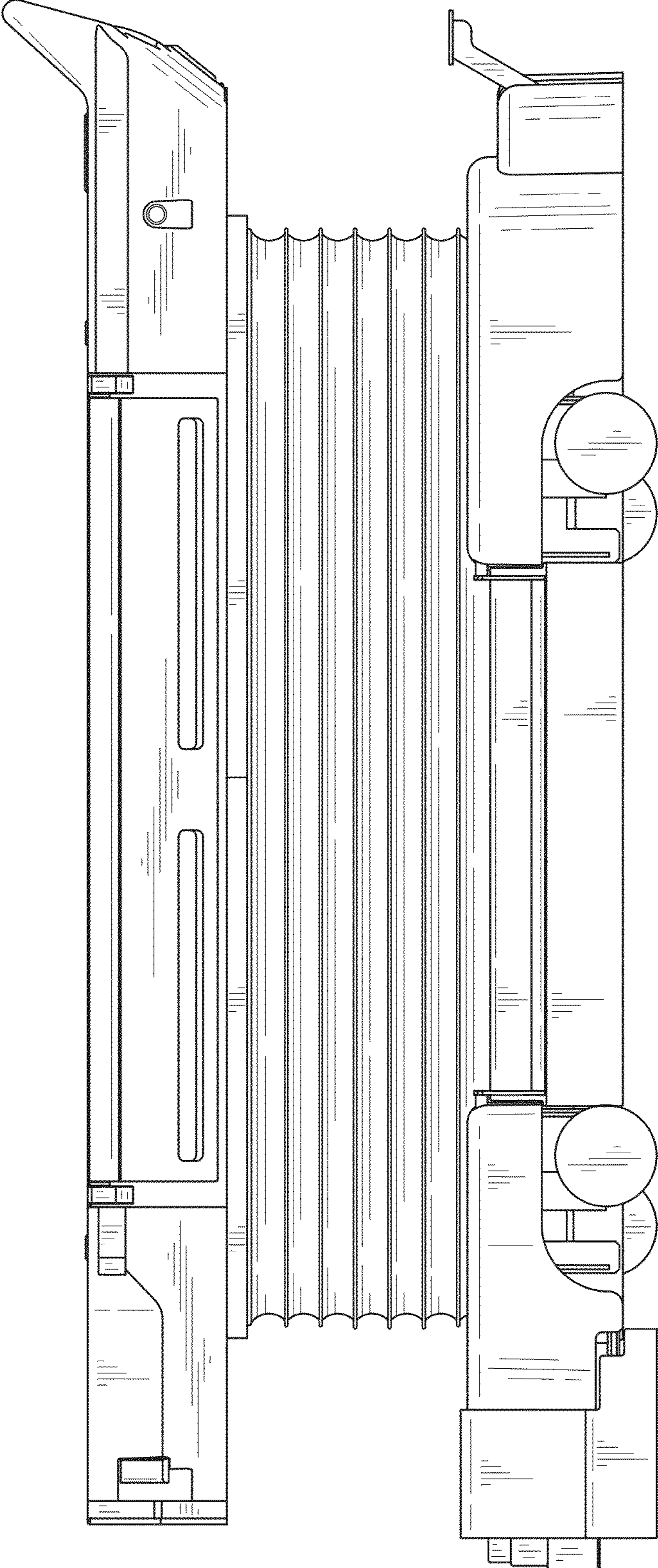


FIG. 3

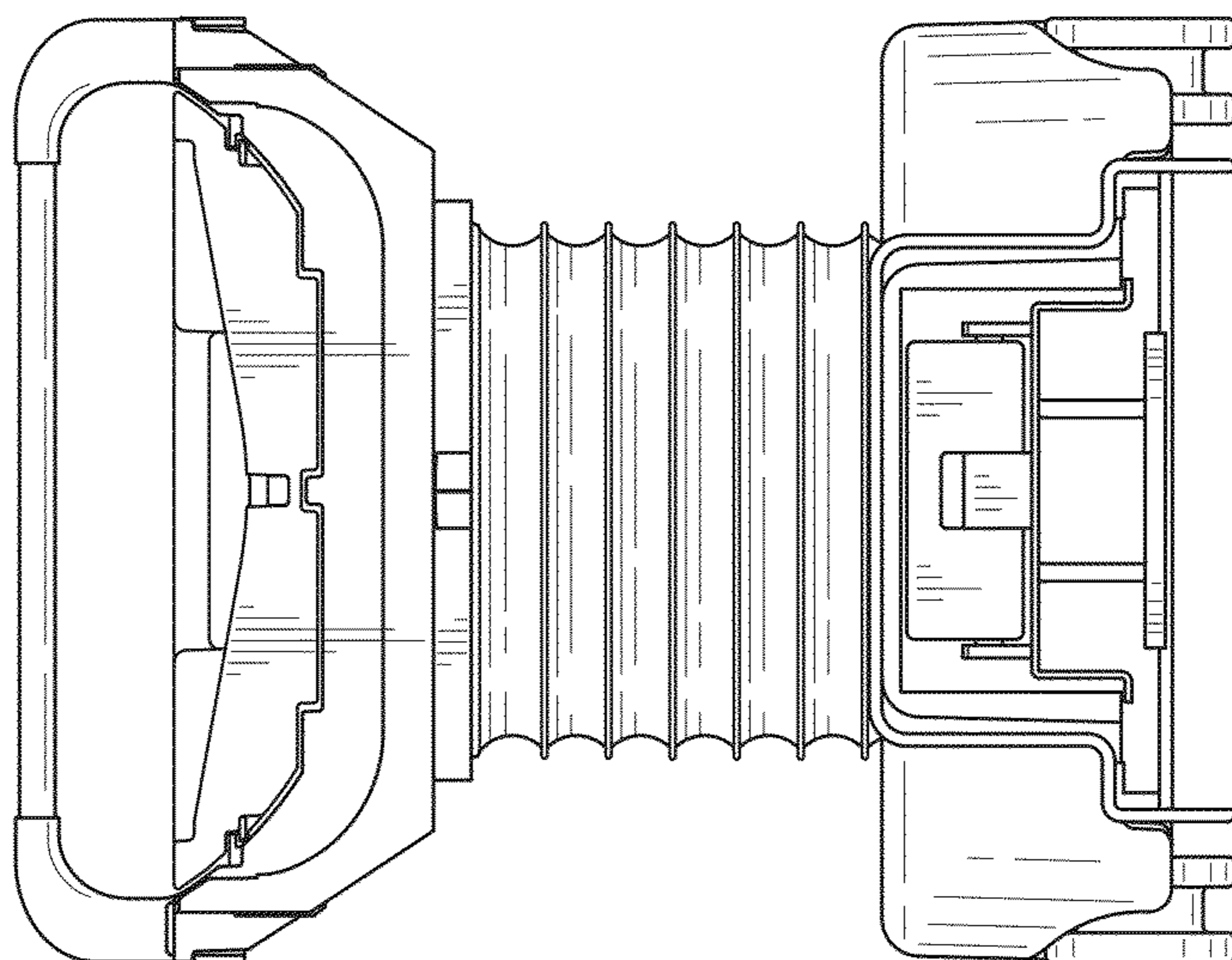


FIG. 5

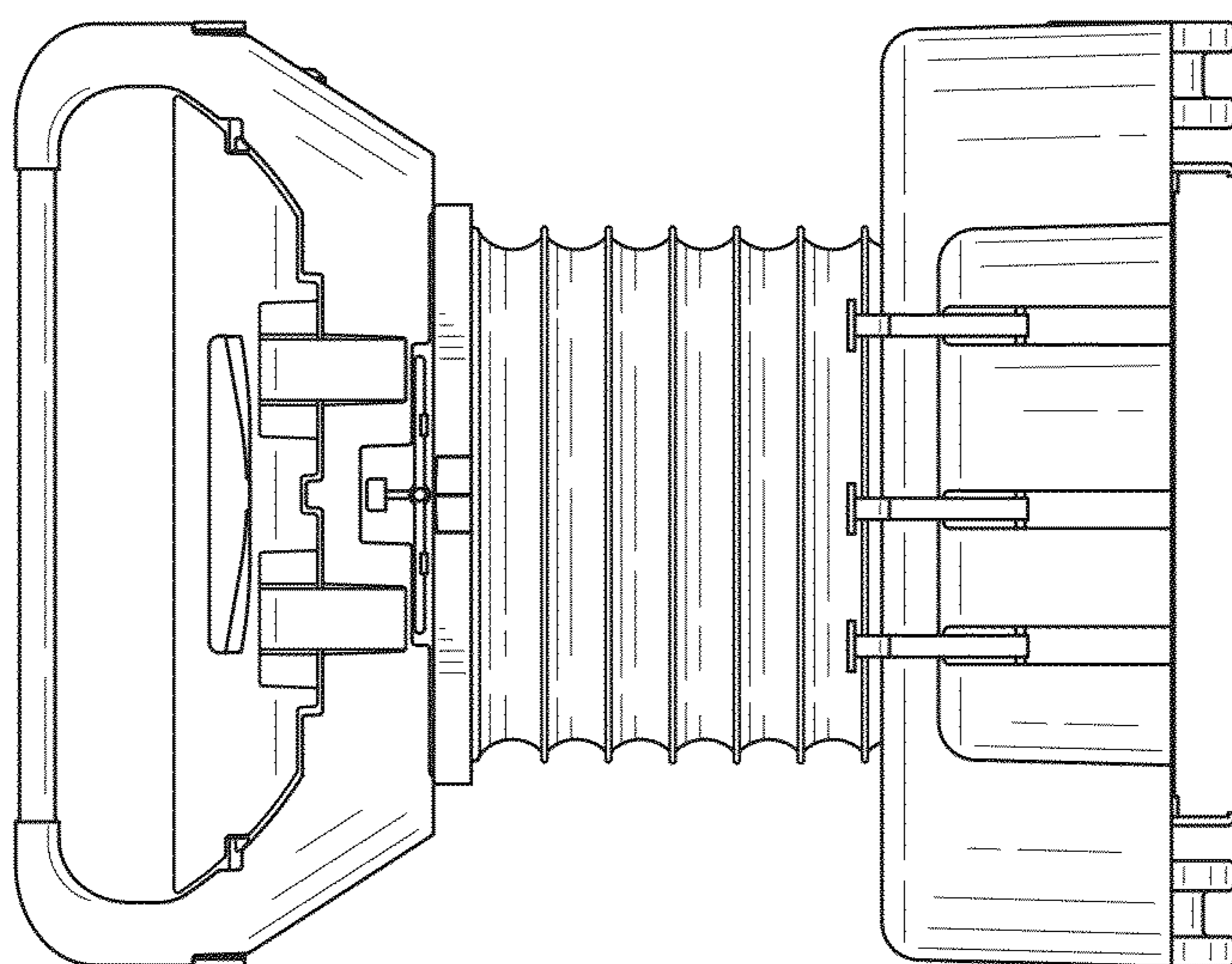


FIG. 4

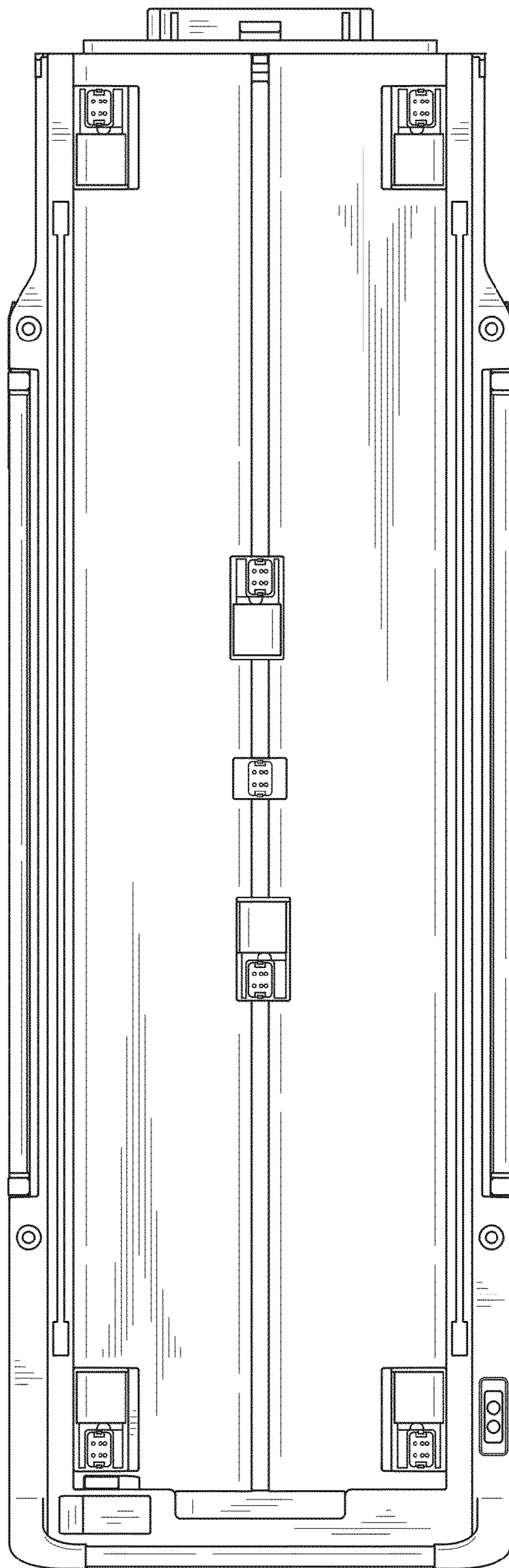


FIG. 6

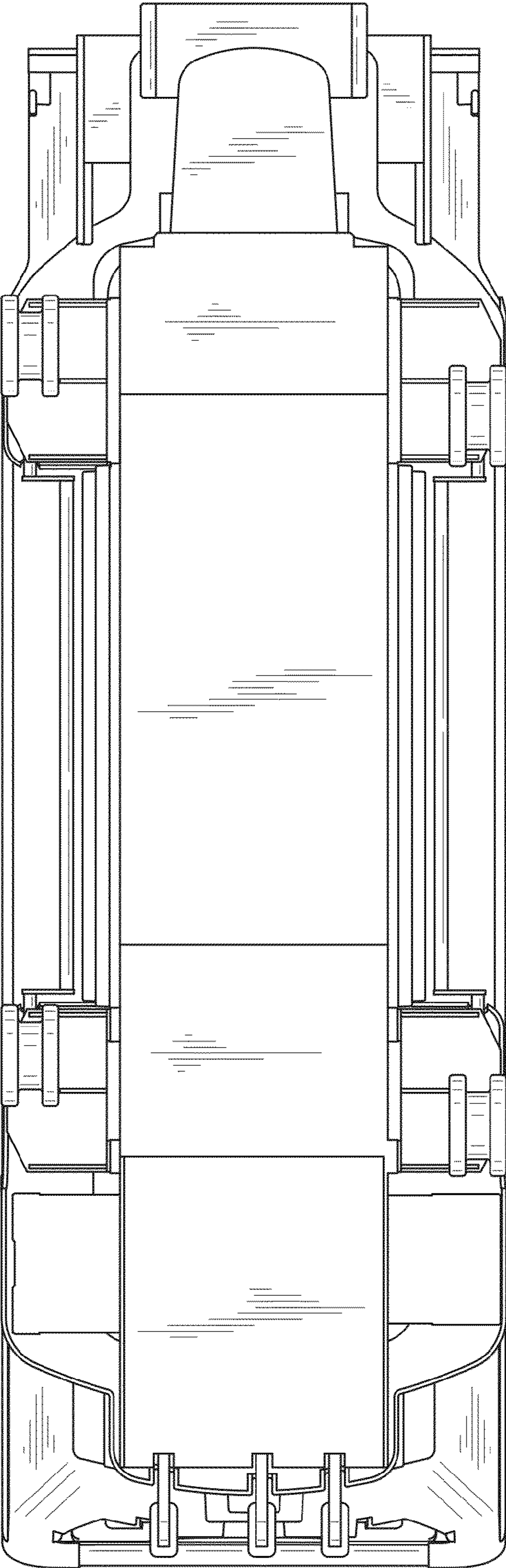


FIG. 7