



US00D681201S

(12) **United States Design Patent**  
**McFarland et al.**

(10) **Patent No.:** **US D681,201 S**  
(45) **Date of Patent:** **\*\* Apr. 30, 2013**

(54) **SUCTION COAGULATOR**

(75) Inventors: **Renee B. McFarland**, Pleasant Prairie, WI (US); **Tim Knebel**, Pleasant Prairie, WI (US)

(73) Assignee: **Medline Industries, Inc.**, Mundelein, IL (US)

(\*\*) Term: **14 Years**

(21) Appl. No.: **29/423,268**

(22) Filed: **May 30, 2012**

(51) **LOC (9) Cl.** ..... **24-02**

(52) **U.S. Cl.**  
USPC ..... **D24/144**

(58) **Field of Classification Search** ..... D24/144,  
D24/108, 112, 113, 170, 111; 604/19, 27,  
604/34-35, 43, 250, 270; 606/41-42, 45,  
606/49

See application file for complete search history.

(56) **References Cited**

**U.S. PATENT DOCUMENTS**

4,932,952	A *	6/1990	Wojciechowicz, Jr. ....	606/49
5,520,685	A *	5/1996	Wojciechowicz .....	606/49
D378,939	S *	4/1997	Smith et al. ....	D24/144
5,730,742	A *	3/1998	Wojciechowicz .....	606/49
6,117,134	A *	9/2000	Cunningham et al. ....	606/49
6,458,126	B1 *	10/2002	Doyle .....	606/49
6,616,658	B2 *	9/2003	Ineson .....	606/42
7,169,148	B2 *	1/2007	O'Halloran .....	606/49
8,328,804	B2 *	12/2012	Heard et al. ....	606/49
2012/0150165	A1 *	6/2012	Conley et al. ....	606/41

**OTHER PUBLICATIONS**

Suction Coagulators. [Retrieved on Feb. 26, 2013]. Retrieved from the Internet: <<http://www.toffeln.com/theatre-consumables/suction-coagulators/>>.\*

"Publication", *ConMed Suction Coagulators Publication*; Published Oct. 2010; pp. 1-2, (Oct. 1, 2010).

"Publication", *Covidien; Valleylab Suction Coagulators*; Published May 2010; pp. 1-2, (May 1, 2010).

\* cited by examiner

*Primary Examiner* — Wan Laymon

(74) *Attorney, Agent, or Firm* — David Noskowicz; Philip H. Burrus, IV

(57) **CLAIM**

The ornamental design for a suction coagulator, as shown and described.

**DESCRIPTION**

FIG. 1 is a first perspective view of a suction coagulator showing our new design;

FIG. 2 is a rear elevation view of the suction coagulator;

FIG. 3 is a front elevation view of the suction coagulator;

FIG. 4 is a right elevation view of the suction coagulator;

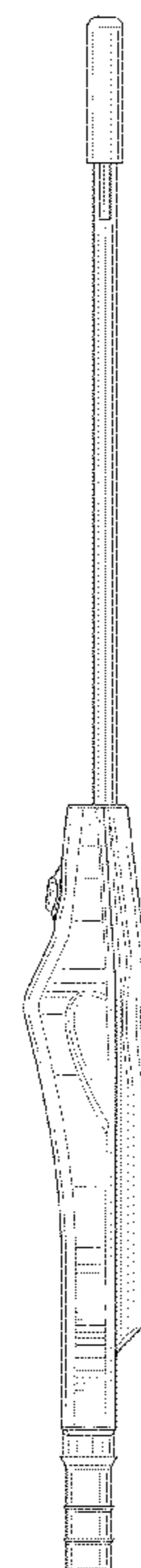
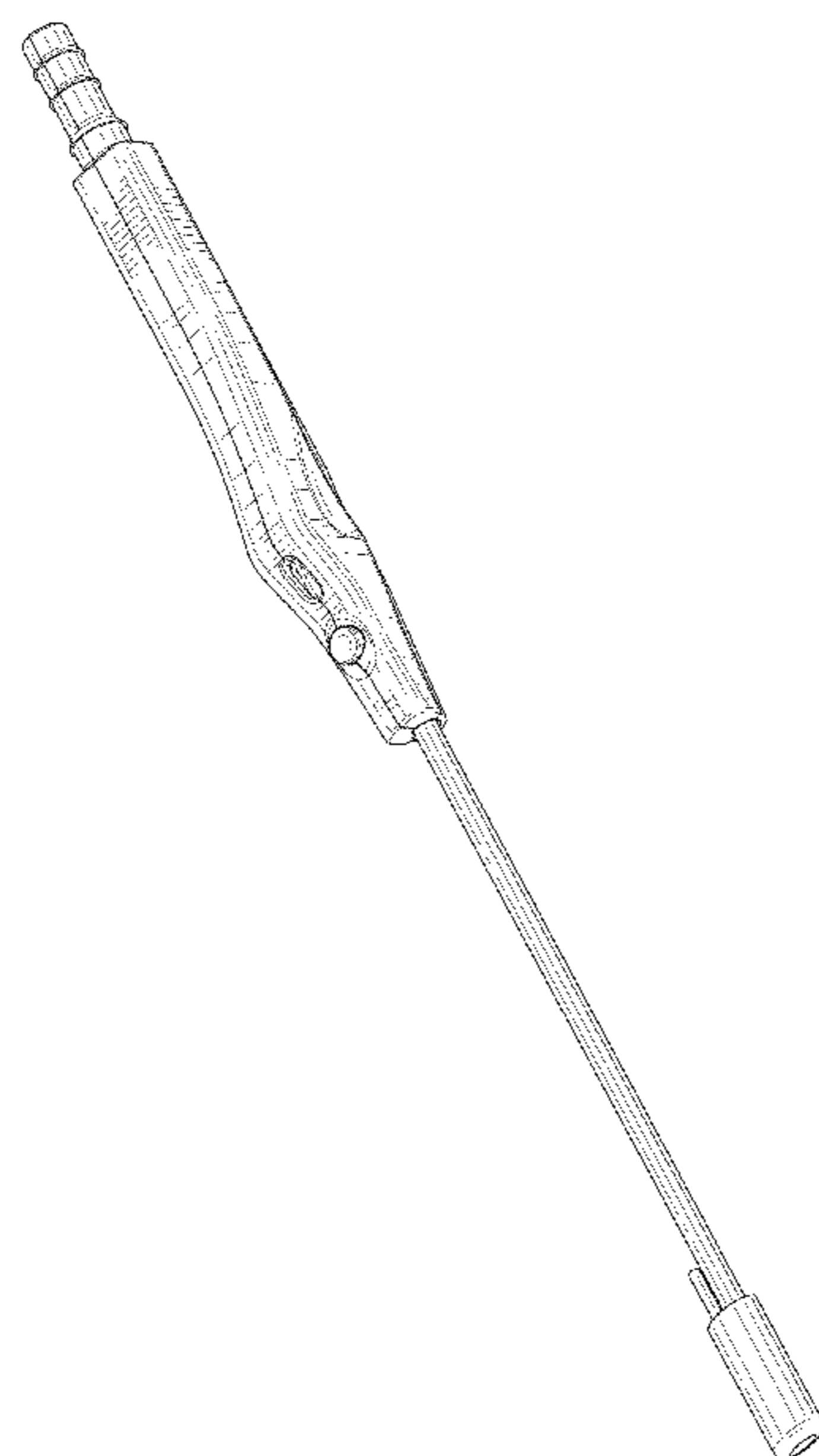
FIG. 5 is a left elevation view of the suction coagulator;

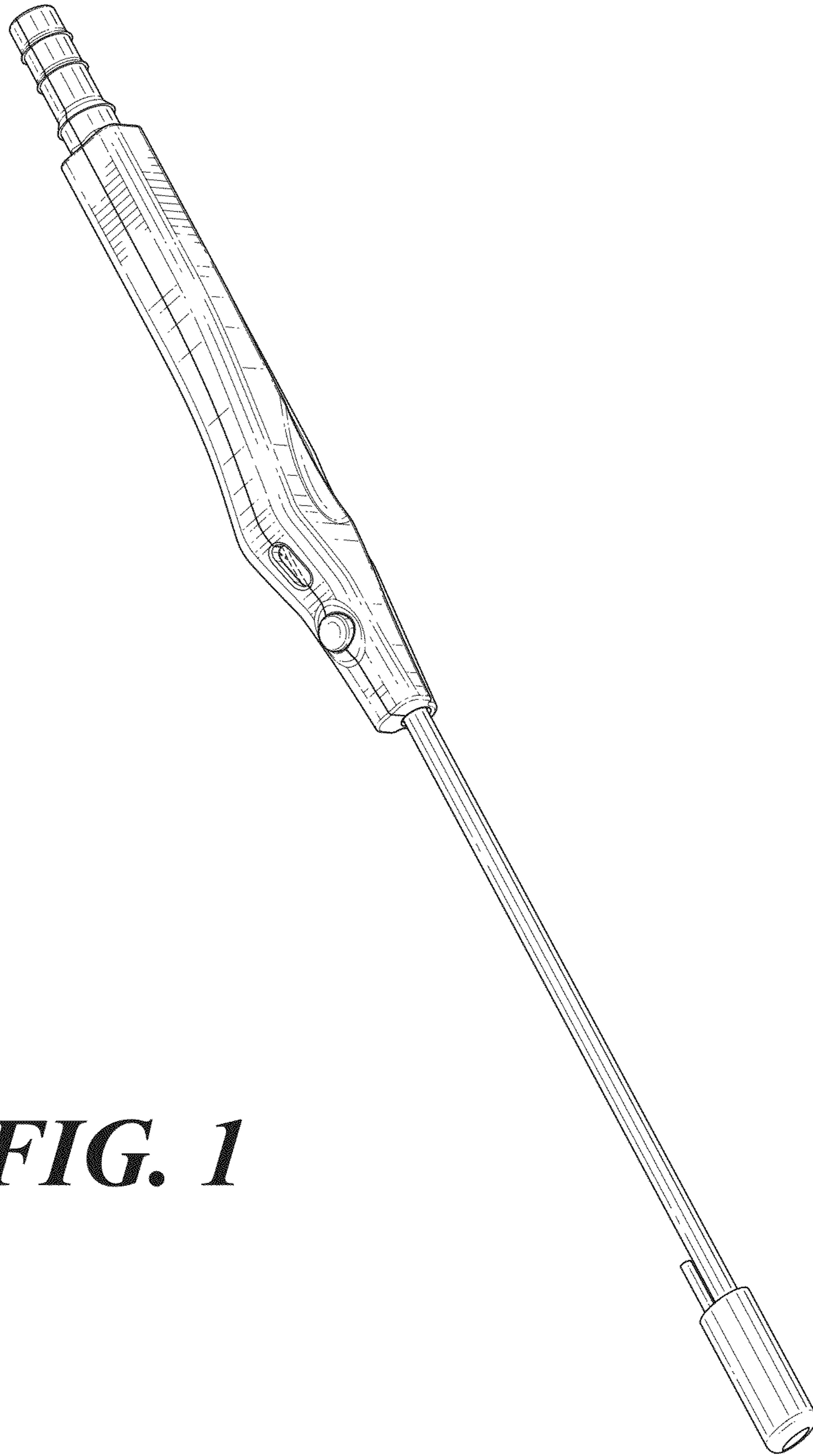
FIG. 6 is a top plan view of the suction coagulator; and,

FIG. 7 is a bottom plan view of the suction coagulator.

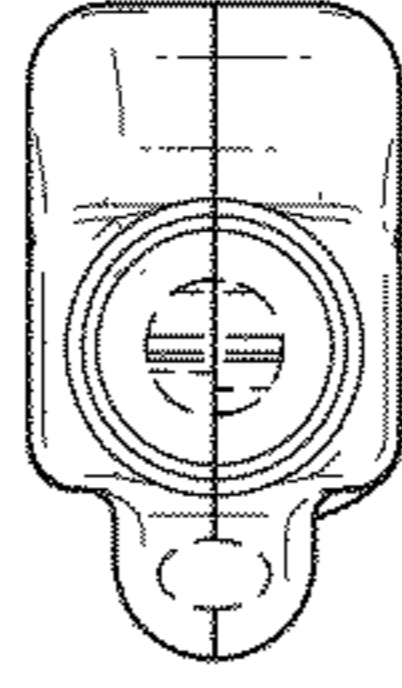
The broken lines shown in the figures represent portions of the suction coagulator that form no part of the claimed design.

**1 Claim, 4 Drawing Sheets**

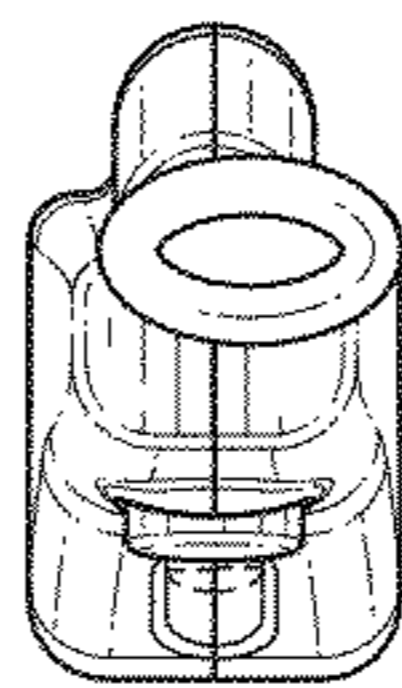




***FIG. 1***

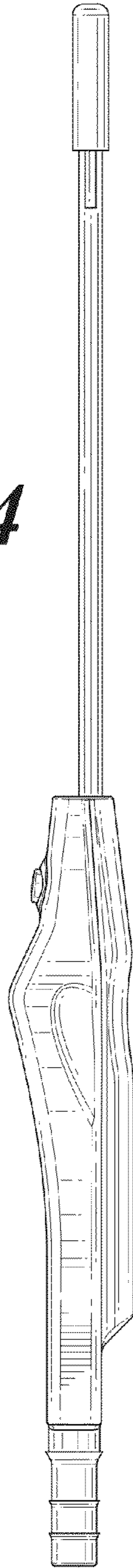


***FIG. 2***

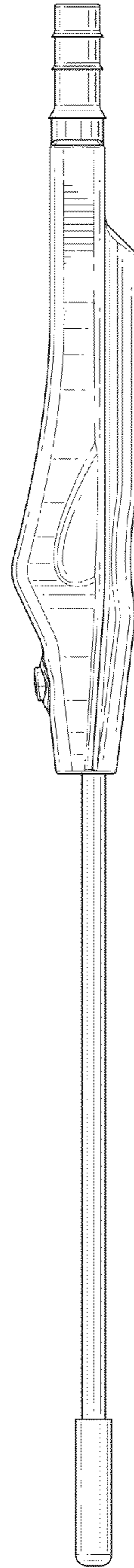


***FIG. 3***

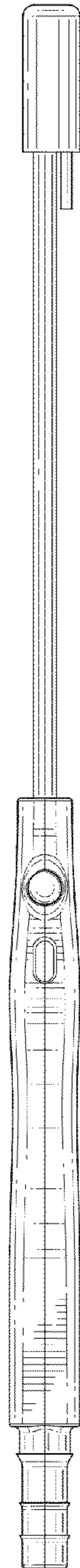
**FIG. 4**



**FIG. 5**



***FIG. 6***



***FIG. 7***

