



US00D681200S

(12) **United States Design Patent**
Cutshaw et al.

(10) **Patent No.:** **US D681,200 S**
(45) **Date of Patent:** **** Apr. 30, 2013**

(54) **ABSORBENT ARTICLE WITH A PATTERN**

(71) Applicant: **The Procter & Gamble Company,**
Cincinnati, OH (US)

(72) Inventors: **Jenny Sauer Cutshaw,** Georgetown, KY
(US); **Emily Renee Worstell,** Cincinnati,
OH (US)

(73) Assignee: **The Procter & Gamble Company,**
Cincinnati, OH (US)

(**) Term: **14 Years**

(21) Appl. No.: **29/440,252**

(22) Filed: **Dec. 20, 2012**

Related U.S. Application Data

(62) Division of application No. 29/365,667, filed on Jul.
13, 2010, now Pat. No. Des. 676,132.

(51) **LOC (9) Cl.** **24-04**

(52) **U.S. Cl.**
USPC **D24/126**

(58) **Field of Classification Search** D24/124-126;
D5/4, 7, 47, 53, 56-59, 61-63, 99, 20, 60;
D6/582, 585, 586, 612, 622; D11/165; D19/5;
4/581; 5/490, 495; 15/208, 215; 112/401,
112/402; 139/383 B, 383 R, 420 R; 162/134;
428/57, 66.5, 187, 221, 542.2, 542.6; 604/385.01
See application file for complete search history.

(56) **References Cited**

U.S. PATENT DOCUMENTS

D168,388 S 12/1952 Yohey
3,888,009 A 6/1975 White et al.
4,649,573 A 3/1987 Yen
D309,020 S 7/1990 Coates et al.

D310,880 S 9/1990 Majewski
D325,256 S 4/1992 Landsman et al.
D331,969 S 12/1992 Hunt
D406,436 S 3/1999 Roszell
D414,262 S 9/1999 Ashton et al.
D525,706 S 7/2006 Pargass
D579,560 S * 10/2008 Rinaldi et al. D24/126
7,520,873 B2 4/2009 Sosalla et al.

(Continued)

FOREIGN PATENT DOCUMENTS

EP 1552802 A1 7/2005
WO WO 03-032884 A1 4/2003
WO WO 2005-065620 A1 7/2005
WO WO 2008-056315 A1 5/2008

OTHER PUBLICATIONS

U.S. Appl. No. 29/440,247, filed Dec. 20, 2012, Jenny Sauer
Cutshaw.

(Continued)

Primary Examiner — T. Chase Nelson

Assistant Examiner — Michelle E Wilson

(74) *Attorney, Agent, or Firm* — Andrew A Paul; Laura L.
Whitmer

(57) **CLAIM**

The ornamental design for an absorbent article with a pattern,
as shown and described.

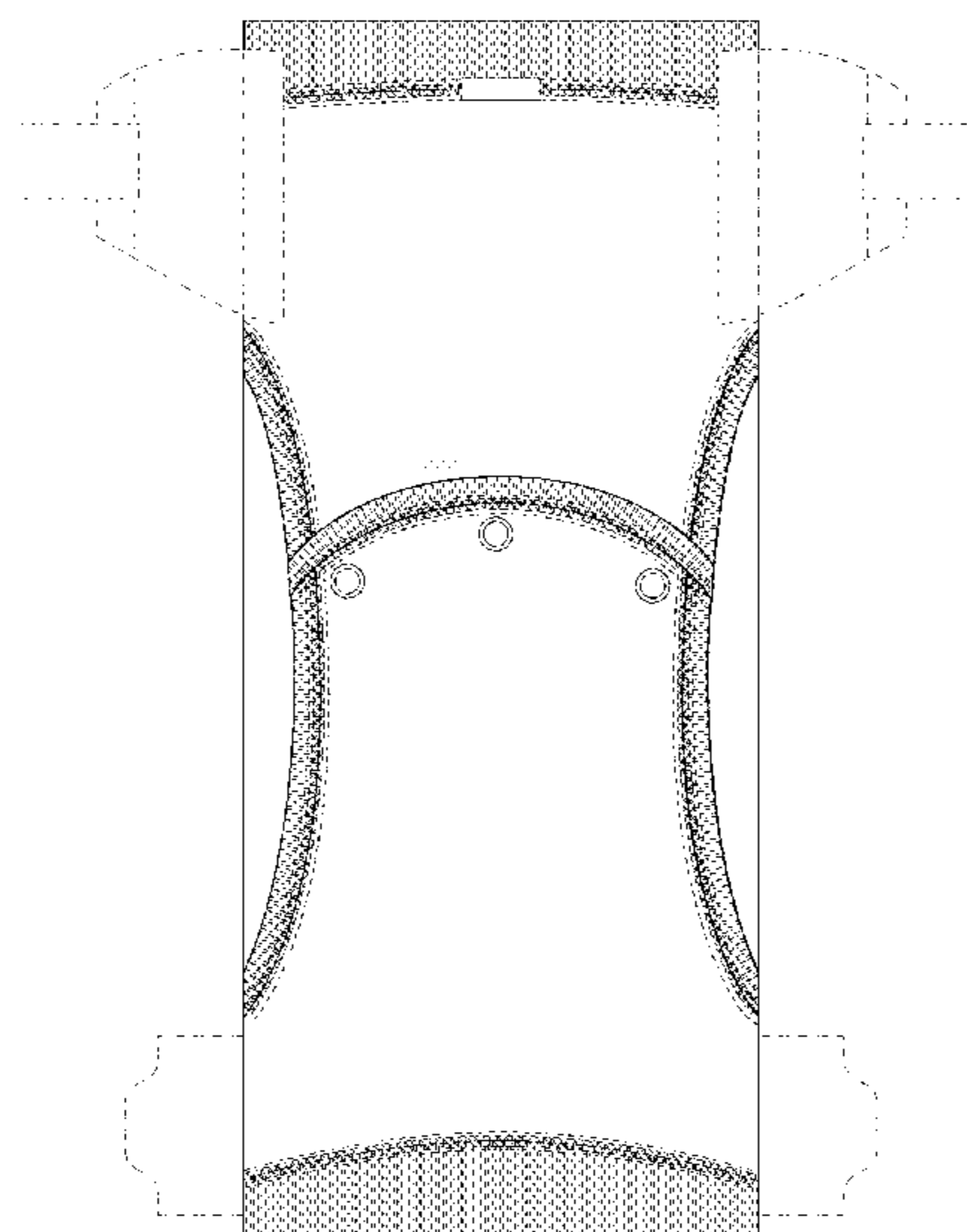
DESCRIPTION

The sole FIGURE is a development view of an absorbent
article with a pattern, showing our new design.

The broken line showing of the diaper tabs and ears are
included for the purpose of illustrating environment and
forms no part of the claimed design.

The broken lines on the absorbent article itself with the
appearance of stitching form a part of the claimed design.

1 Claim, 1 Drawing Sheet



US D681,200 S

Page 2

U.S. PATENT DOCUMENTS

D601,246 S * 9/2009 Stonebraker D24/126
7,682,350 B2 3/2010 Langdon et al.
D628,100 S 11/2010 Homer
D633,197 S * 2/2011 Boyd D24/126
D633,198 S * 2/2011 Boyd D24/126
7,896,858 B2 3/2011 Trennepohl et al.
D638,119 S * 5/2011 Mateo D24/126
D638,535 S * 5/2011 Stonebraker D24/126
D639,423 S * 6/2011 Boyd D24/126
D639,936 S 6/2011 Faulks et al.
D647,200 S * 10/2011 Slaughter D24/126
D657,455 S * 4/2012 Gehrke et al. D24/126

D657,456 S * 4/2012 Gehrke et al. D24/126
D657,457 S * 4/2012 Gehrke et al. D24/126
D657,458 S * 4/2012 Gehrke et al. D24/126
D657,459 S * 4/2012 Gehrke et al. D24/126
D657,868 S * 4/2012 Gehrke et al. D24/126
2009/0247979 A1 10/2009 Sosalla et al.
2009/0287173 A1 11/2009 Sosalla et al.

OTHER PUBLICATIONS

U.S. Appl. No. 29/440,249, filed Dec. 20, 2012, Jenny Sauer
Cutshaw.

* cited by examiner

