



US00D681194S

(12) **United States Design Patent**  
**Koschany**

(10) **Patent No.:** **US D681,194 S**

(45) **Date of Patent:** **\*\* Apr. 30, 2013**

- (54) **RESPIRATION MASK PÄDIFLOW**
- (75) Inventor: **Angelika Koschany**, Munich (DE)
- (73) Assignee: **medin Medical Innovations GmbH**,  
Puchheim (DE)
- (\*\*) Term: **14 Years**
- (21) Appl. No.: **29/391,229**
- (22) Filed: **May 5, 2011**
- (51) **LOC (9) Cl.** ..... **29-03**
- (52) **U.S. Cl.**  
USPC ..... **D24/110.5**
- (58) **Field of Classification Search** ..... D24/110–110.5,  
D24/190; 128/206.12–207.17; D16/339;  
D2/877, 881; D6/601; D29/108  
See application file for complete search history.

- 6,012,455 A \* 1/2000 Goldstein ..... 128/207.18
- 6,082,360 A \* 7/2000 Rudolph et al. .... 128/206.25
- D507,831 S \* 7/2005 Rosenkranz et al. .... D24/110.1
- D518,570 S \* 4/2006 Filgueiras ..... D24/110
- D618,788 S \* 6/2010 Dubach ..... D24/110.5
- D644,727 S \* 9/2011 Salus ..... D24/110
- D656,231 S \* 3/2012 Henry et al. .... D24/110.1

\* cited by examiner

*Primary Examiner* — Richard E Chilcot

(74) *Attorney, Agent, or Firm* — Jenkins, Wilson, Taylor & Hunt, P.A.

(57) **CLAIM**

The ornamental design for a respiration mask pädiflow, as shown and described.

**DESCRIPTION**

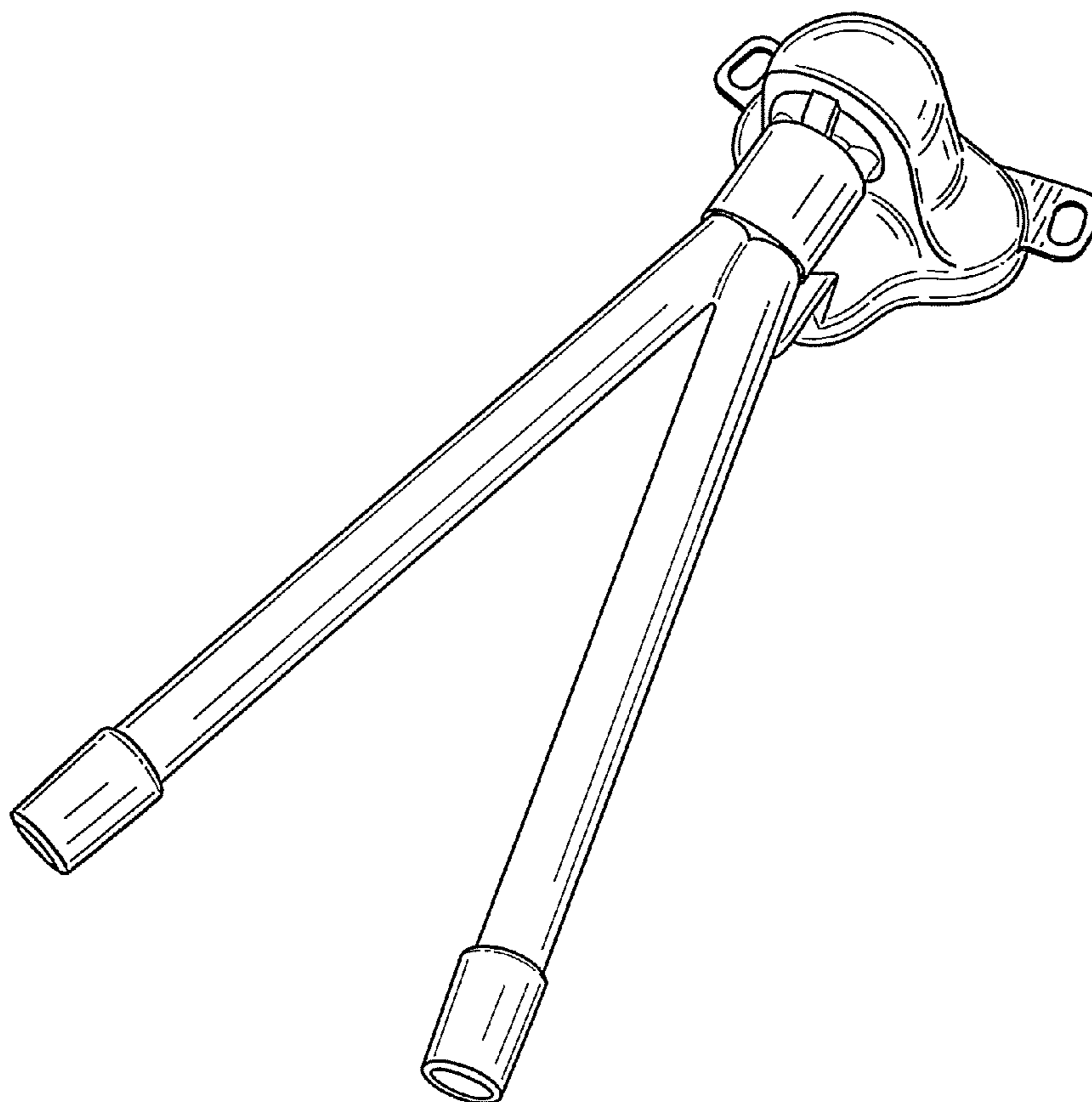
FIG. 1 is a side view thereof;  
 FIG. 2 is a front view thereof;  
 FIG. 3 is a rear view thereof;  
 FIG. 4 is a top view thereof;  
 FIG. 5 is a bottom view thereof;  
 FIG. 6 is a front perspective view thereof; and,  
 FIG. 7 is a rear perspective view thereof.  
 The illustrated design is not limited to the scale shown.

**1 Claim, 7 Drawing Sheets**

(56) **References Cited**

U.S. PATENT DOCUMENTS

- 4,226,234 A \* 10/1980 Gunderson ..... 128/205.24
- D301,774 S \* 6/1989 Rudolph et al. .... D24/110.4
- D304,384 S \* 10/1989 Derobert ..... D24/110.2
- 5,265,595 A \* 11/1993 Rudolph ..... 128/204.18
- 5,921,239 A \* 7/1999 McCall et al. .... 128/205.25



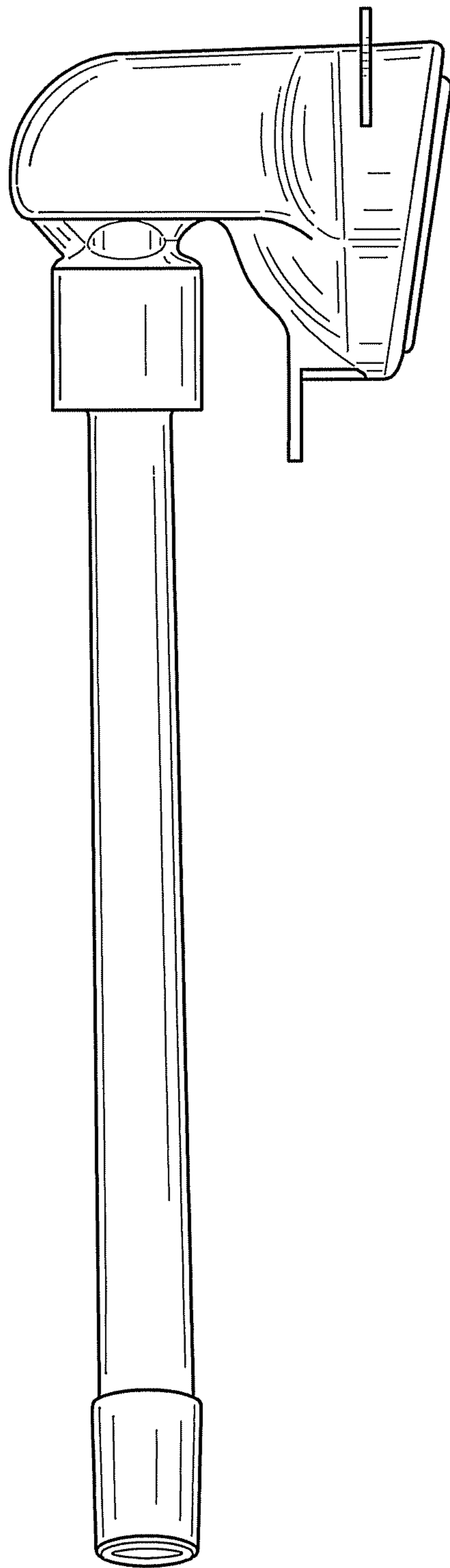


FIG. 1

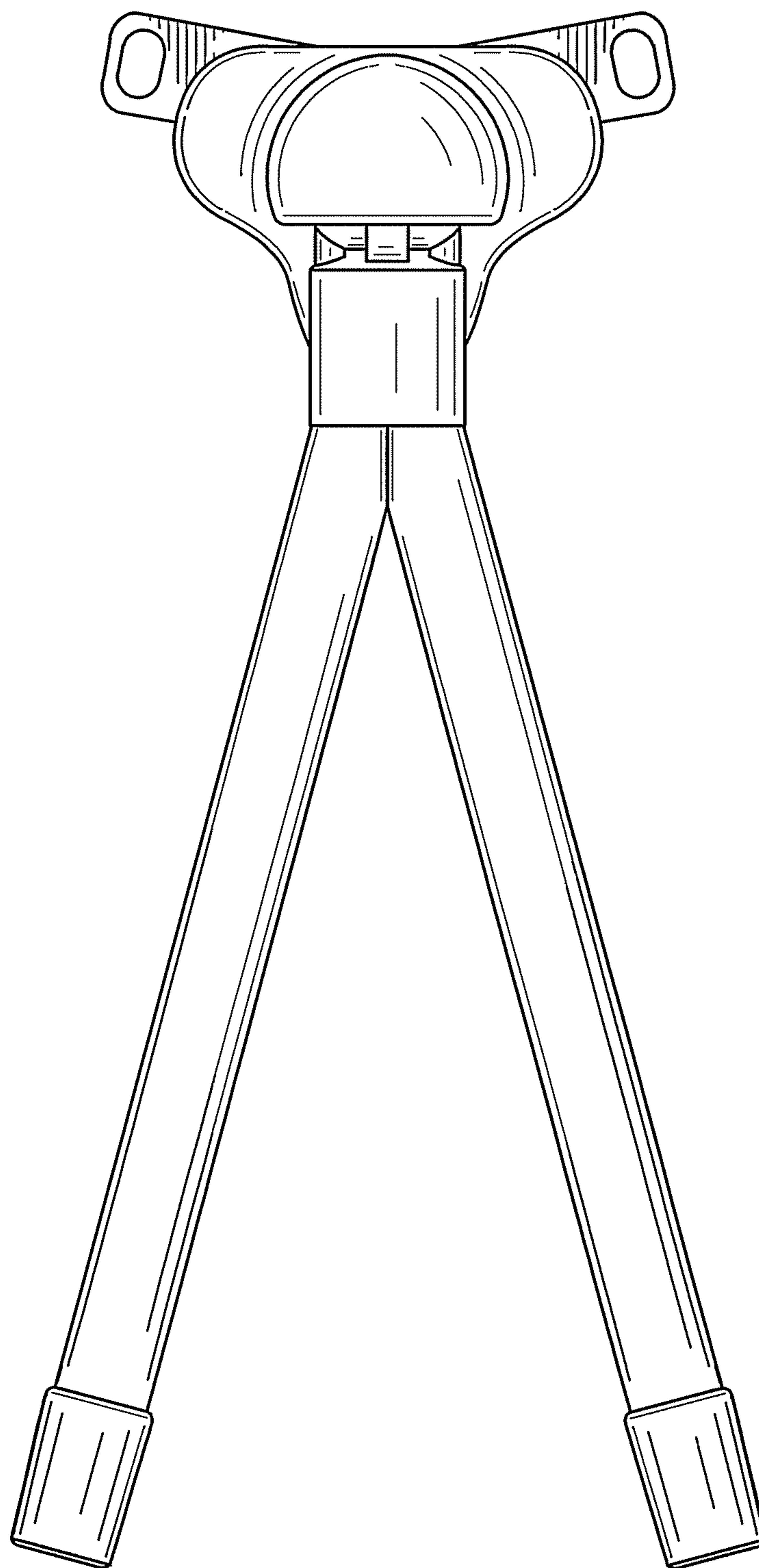


FIG. 2

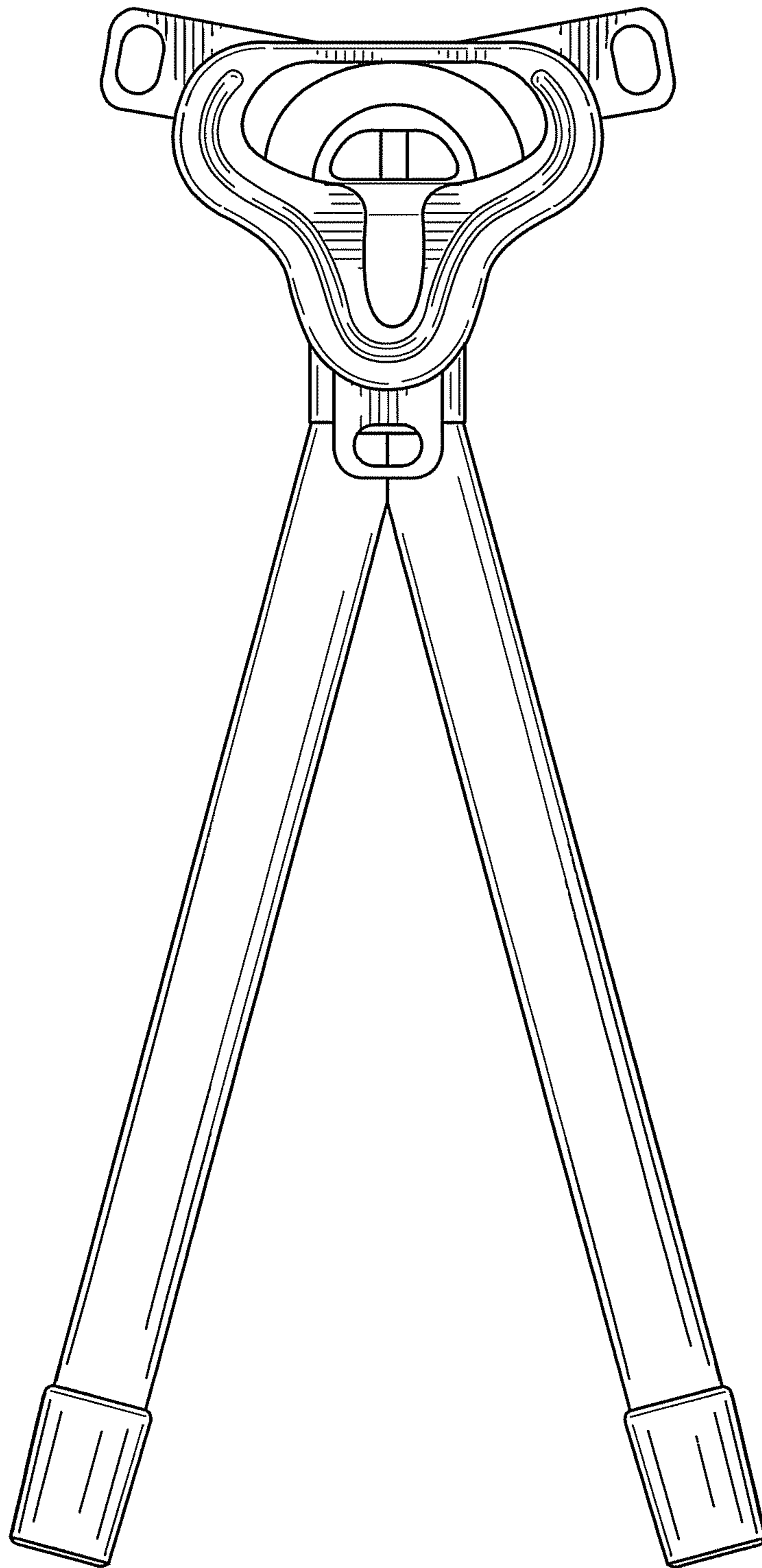
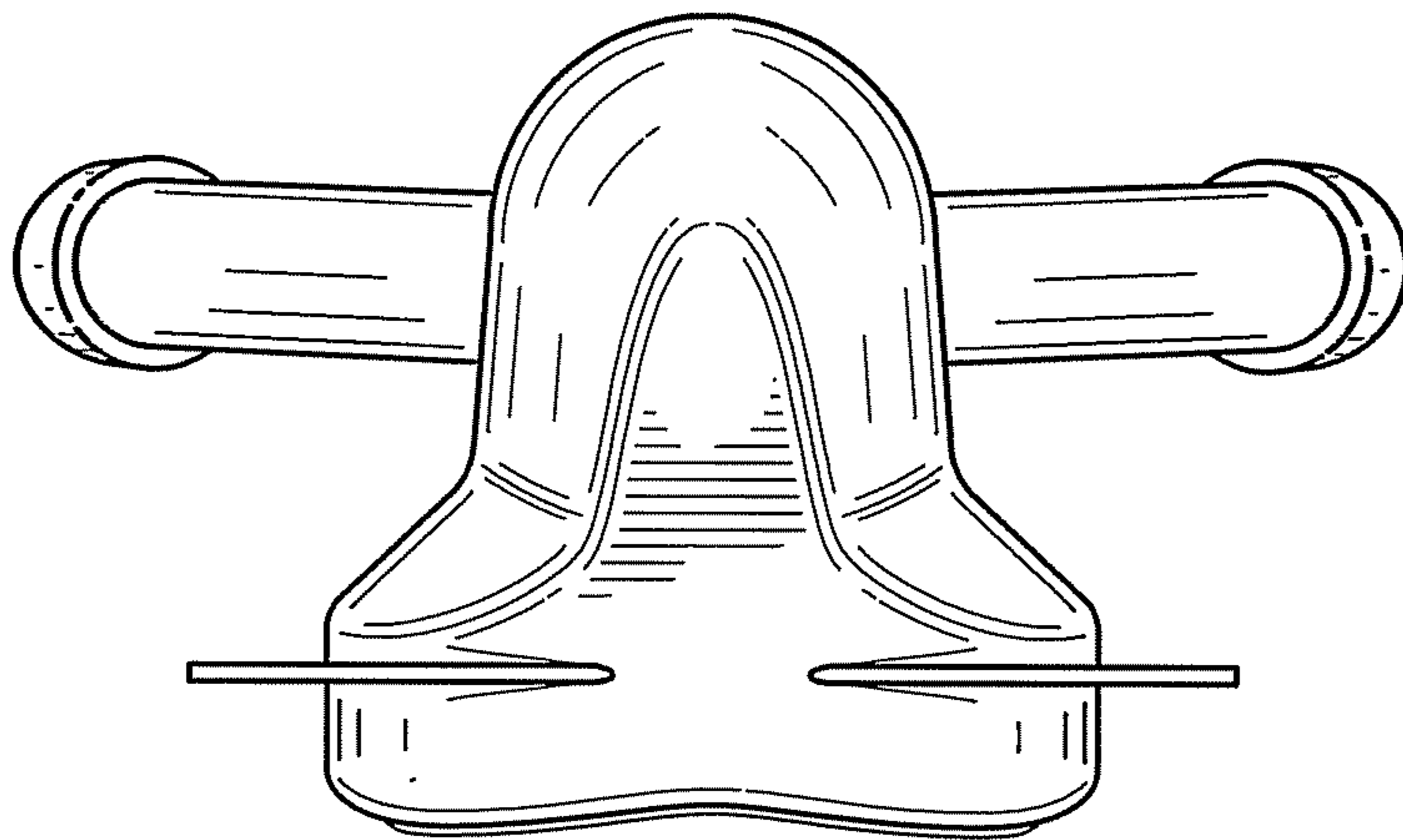
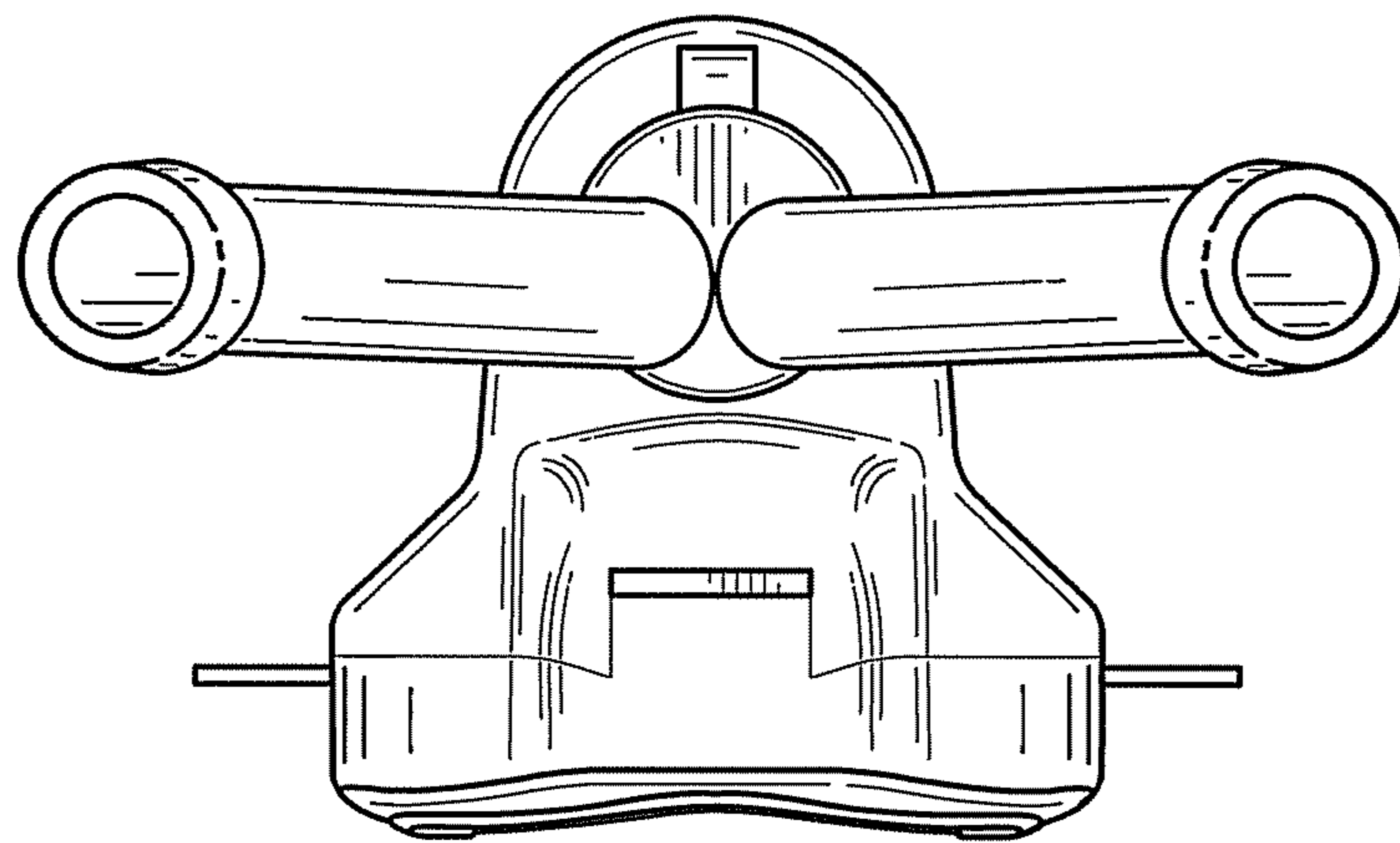


FIG. 3



**FIG. 4**



**FIG. 5**

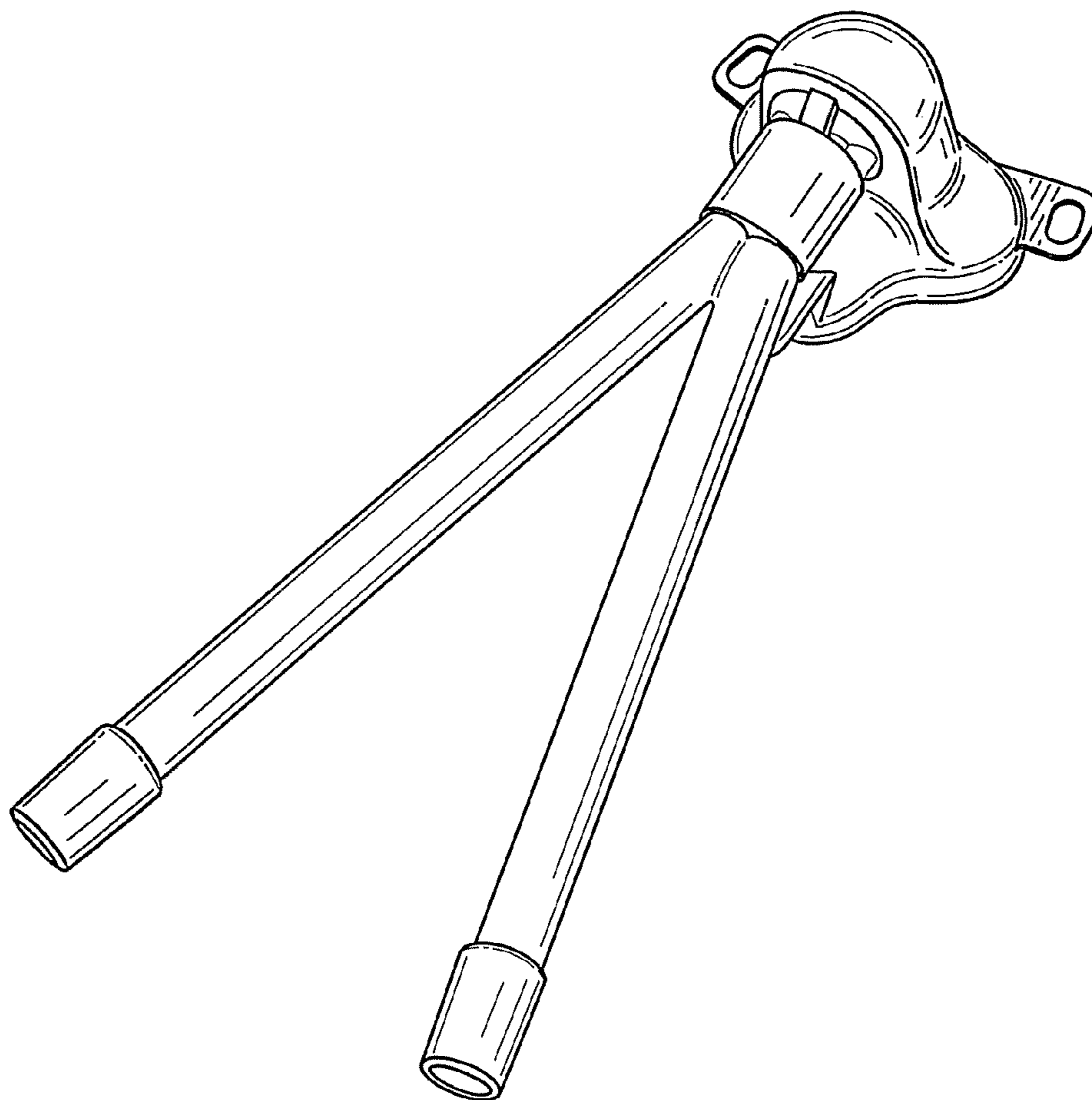


FIG. 6

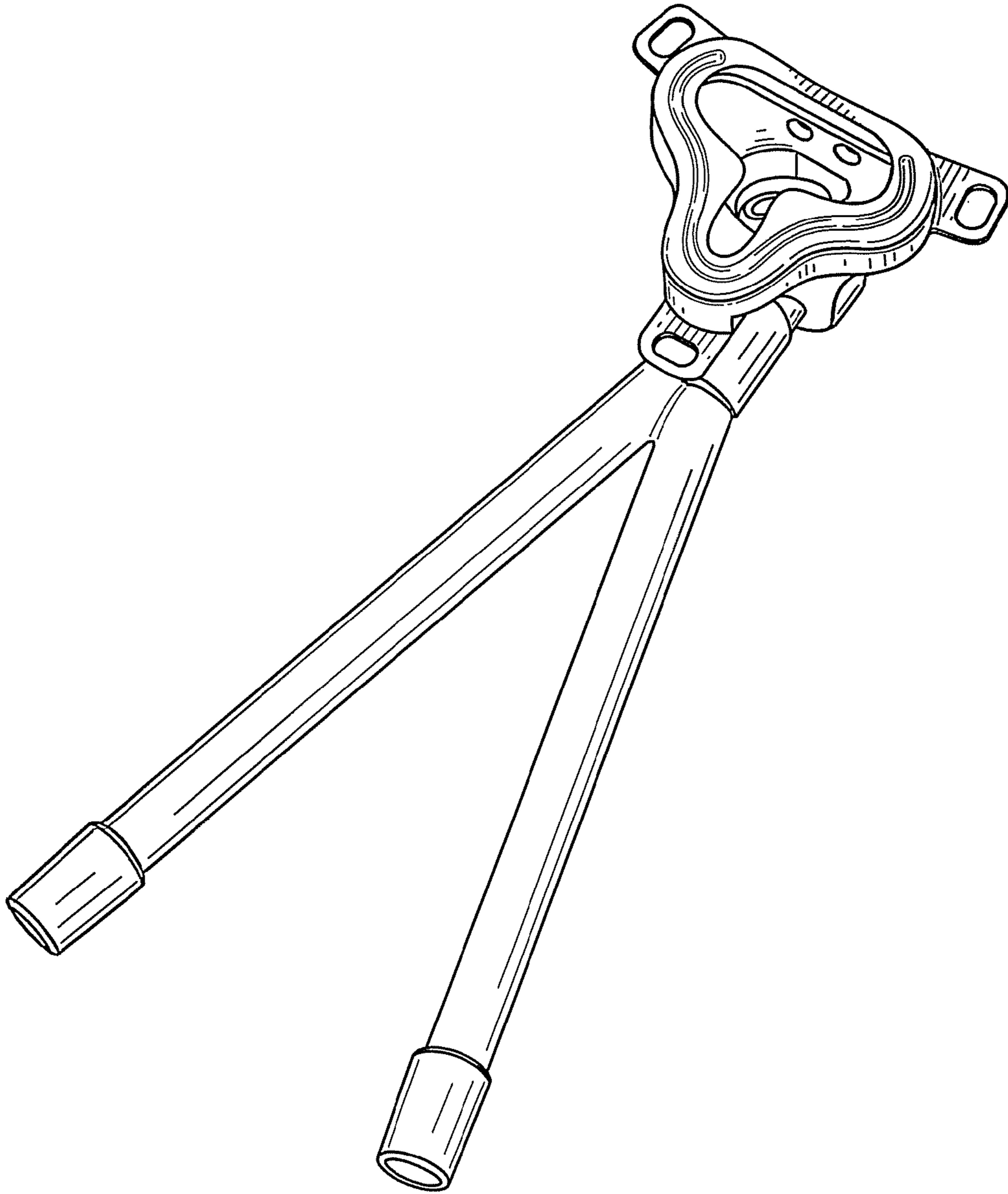


FIG. 7