



US00D681187S

(12) **United States Design Patent**  
**Hu et al.**

(10) **Patent No.:** **US D681,187 S**

(45) **Date of Patent:** **\*\* Apr. 30, 2013**

(54) **FAN**

(71) Applicants: **Kai-Hsiang Hu**, New Taipei (TW);  
**Shi-Man Xu**, New Taipei (TW);  
**Jia-Sheng Lai**, New Taipei (TW);  
**Hai-Jun He**, New Taipei (TW)

(72) Inventors: **Kai-Hsiang Hu**, New Taipei (TW);  
**Shi-Man Xu**, New Taipei (TW);  
**Jia-Sheng Lai**, New Taipei (TW);  
**Hai-Jun He**, New Taipei (TW)

(73) Assignee: **Cooler Master Co., Ltd.**, New Taipei (TW)

(\*\*) Term: **14 Years**

(21) Appl. No.: **29/436,136**

(22) Filed: **Nov. 1, 2012**

(51) **LOC (9) Cl.** ..... **23-04**

(52) **U.S. Cl.**  
USPC ..... **D23/413**

(58) **Field of Classification Search** ..... D23/381-383,  
D23/370-379, 385-388, 393, 394, 399, 411-414,  
D23/355, 356, 336; 454/237-253, 186, 228-236;  
52/302.1; 417/423.1, 423.14; 415/182.1,  
415/200, 90; 416/244 R, 246, 247 R; D6/309;  
D21/430, 436, 442, 447, 450, 453, 458  
See application file for complete search history.

(56) **References Cited**

U.S. PATENT DOCUMENTS

D438,609	S	*	3/2001	Colliver	.....	D23/411
D453,827	S	*	2/2002	Kuo et al.	.....	D23/413
D485,904	S	*	1/2004	Tsai et al.	.....	D23/413
D486,572	S	*	2/2004	Chen et al.	.....	D23/413
6,877,958	B2	*	4/2005	Lin et al.	.....	416/228
D509,584	S	*	9/2005	Li et al.	.....	D23/413
D511,824	S	*	11/2005	Chen et al.	.....	D23/370
D558,324	S	*	12/2007	Hong	.....	D23/379
D561,888	S	*	2/2008	Yang et al.	.....	D23/379
D571,000	S	*	6/2008	Bei et al.	.....	D23/413
D594,955	S	*	6/2009	Noda	.....	D23/370
D645,134	S	*	9/2011	Lee et al.	.....	D23/411
D670,803	S	*	11/2012	Spaggiari	.....	D23/413

\* cited by examiner

*Primary Examiner* — George D Kirschbaum

*Assistant Examiner* — Janice Hallmark

(74) *Attorney, Agent, or Firm* — Chun-Ming Shih; HDLS IPR Services

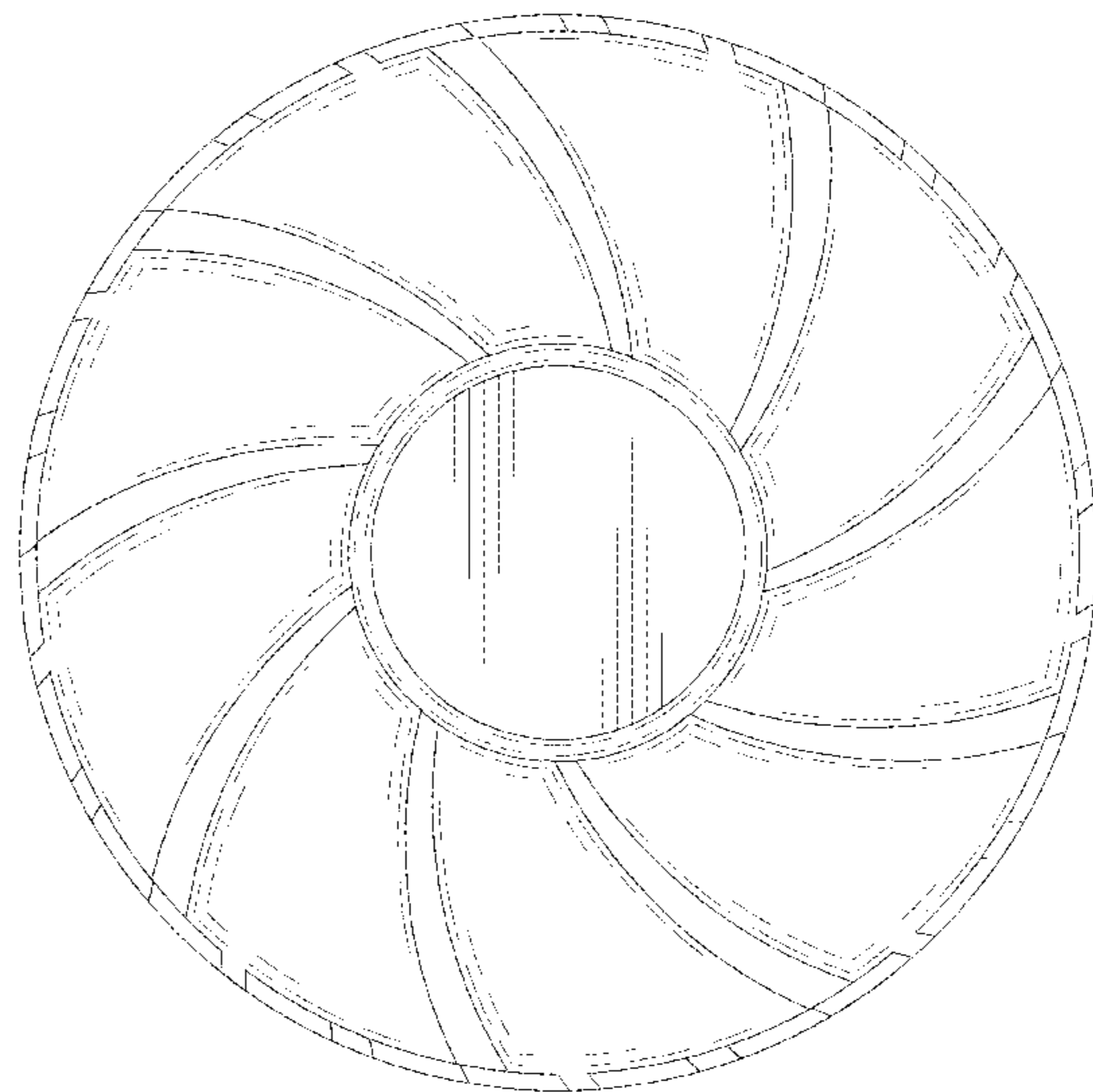
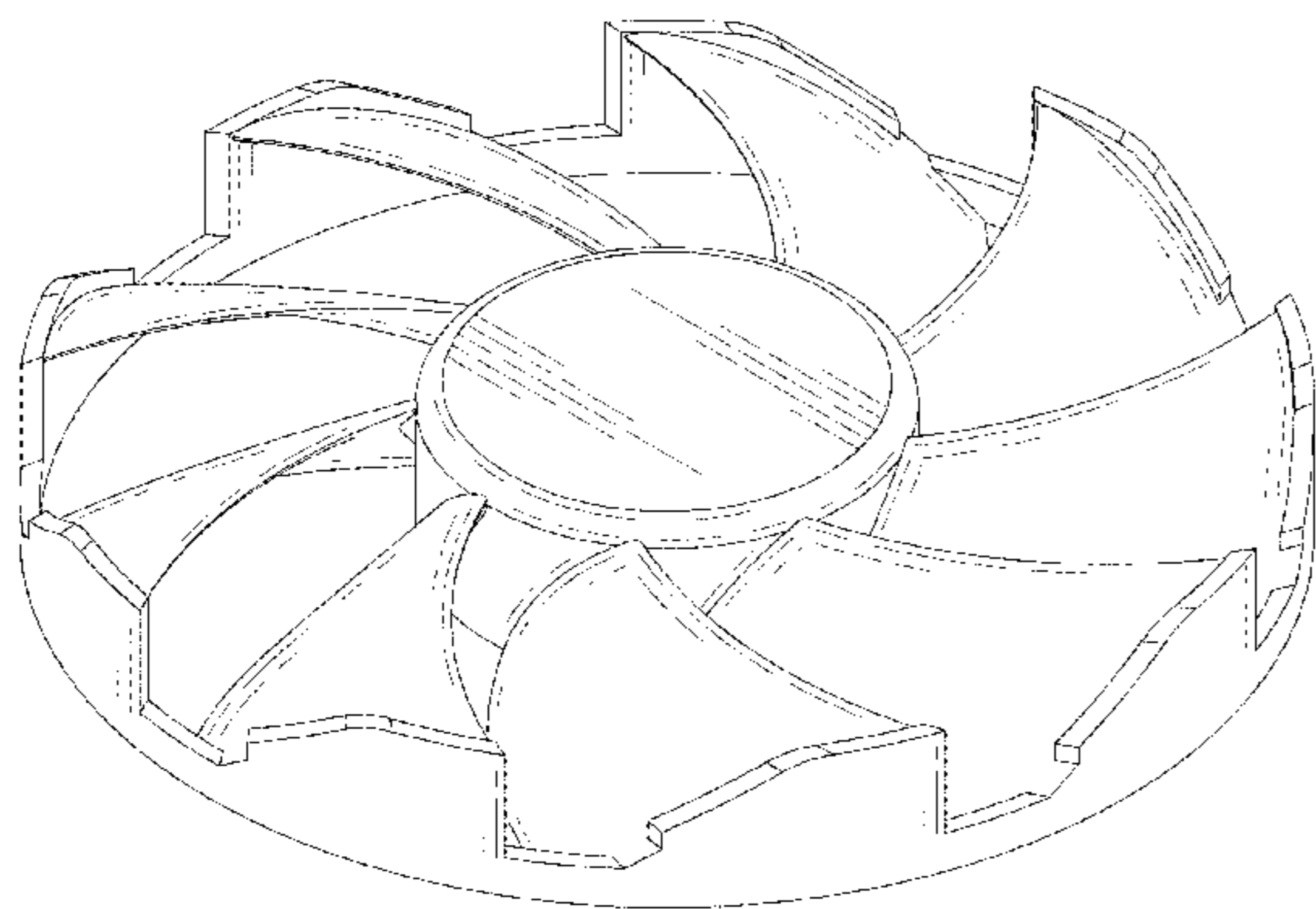
(57) **CLAIM**

The ornamental design for a fan, as shown and described.

**DESCRIPTION**

FIG. 1 is a perspective view of a fan showing my new design;  
FIG. 2 is a front view thereof;  
FIG. 3 is a rear view thereof;  
FIG. 4 is a left side view thereof;  
FIG. 5 is a right side view thereof;  
FIG. 6 is a top view thereof;  
FIG. 7 is a bottom view thereof; and,  
FIG. 8 is another perspective view showing the fan.

**1 Claim, 6 Drawing Sheets**



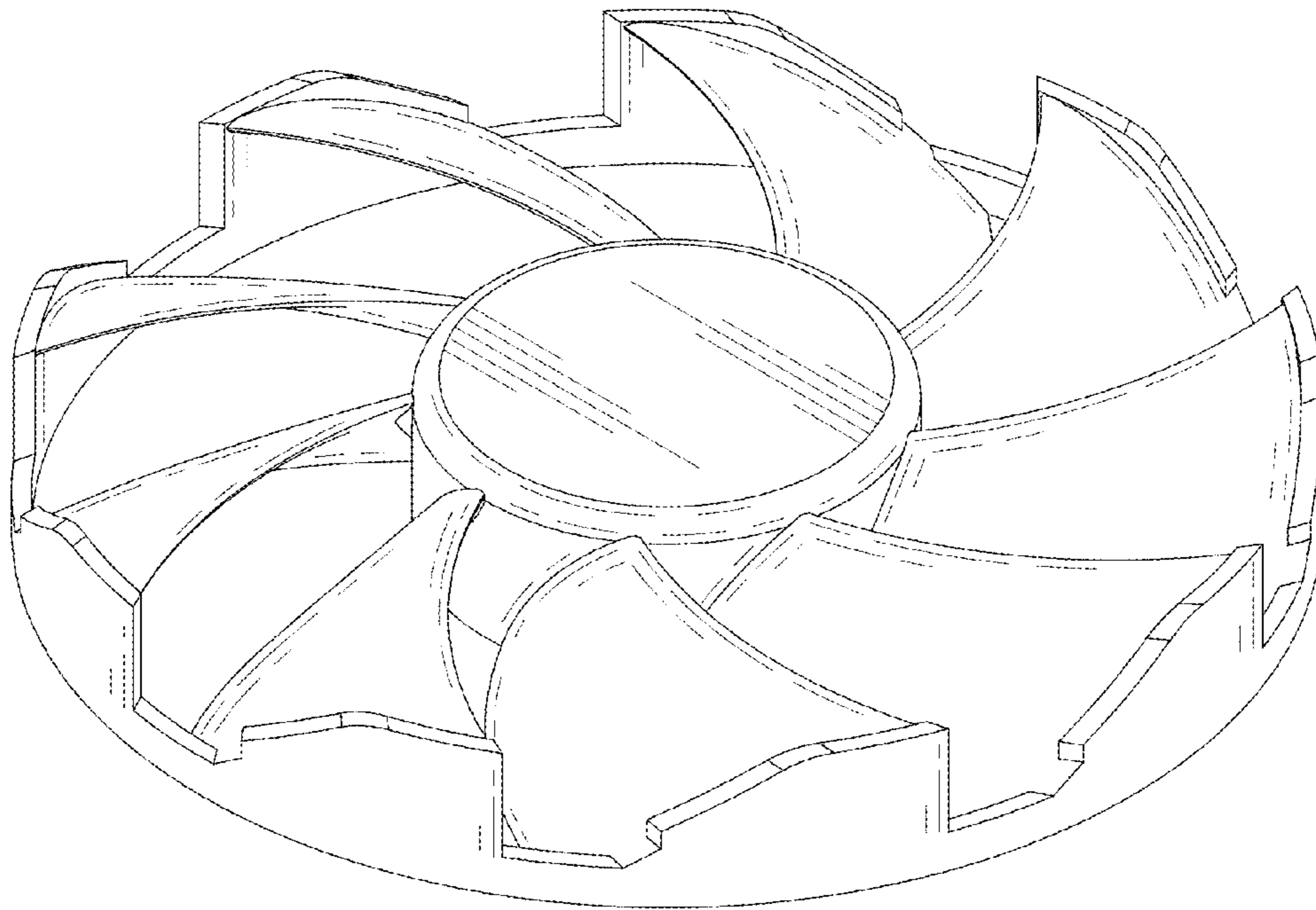


FIG.1

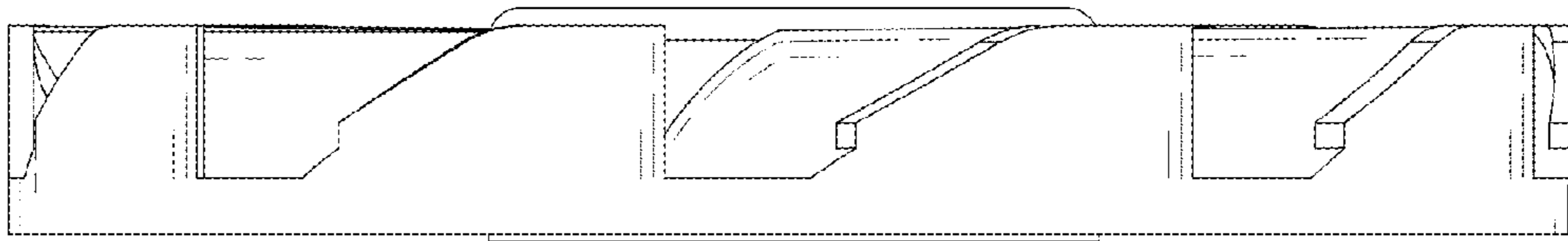


FIG. 2

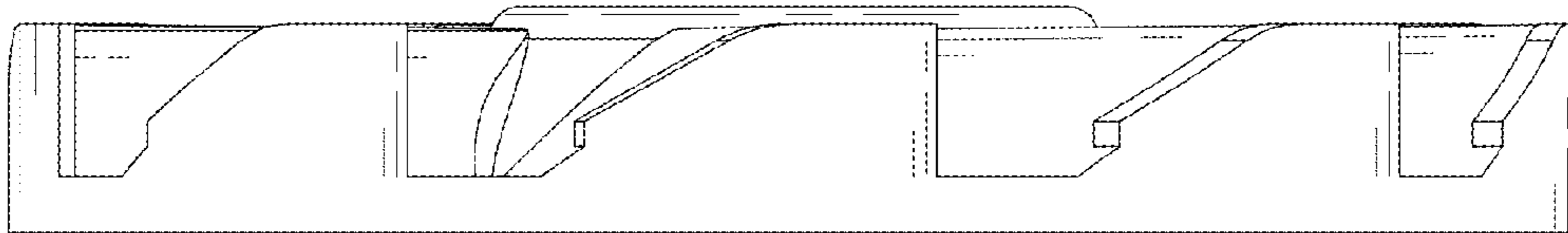


FIG. 3

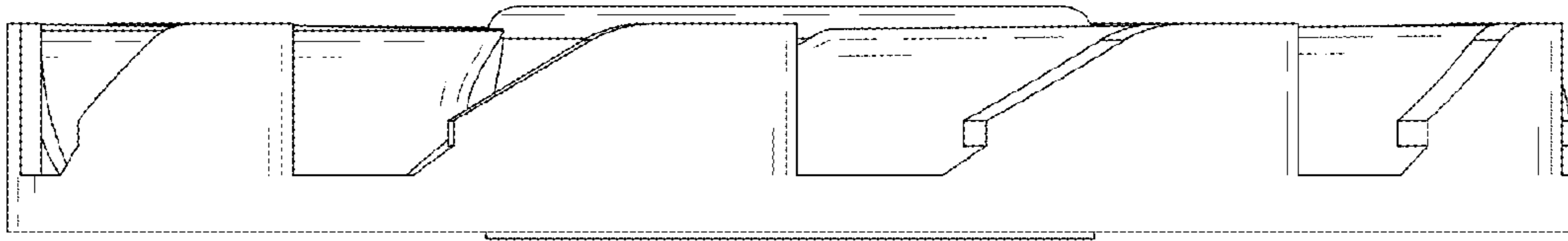


FIG.4

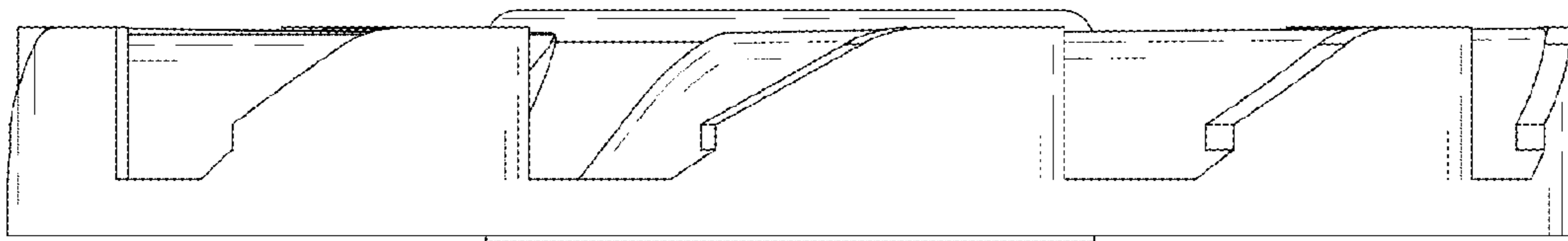


FIG.5

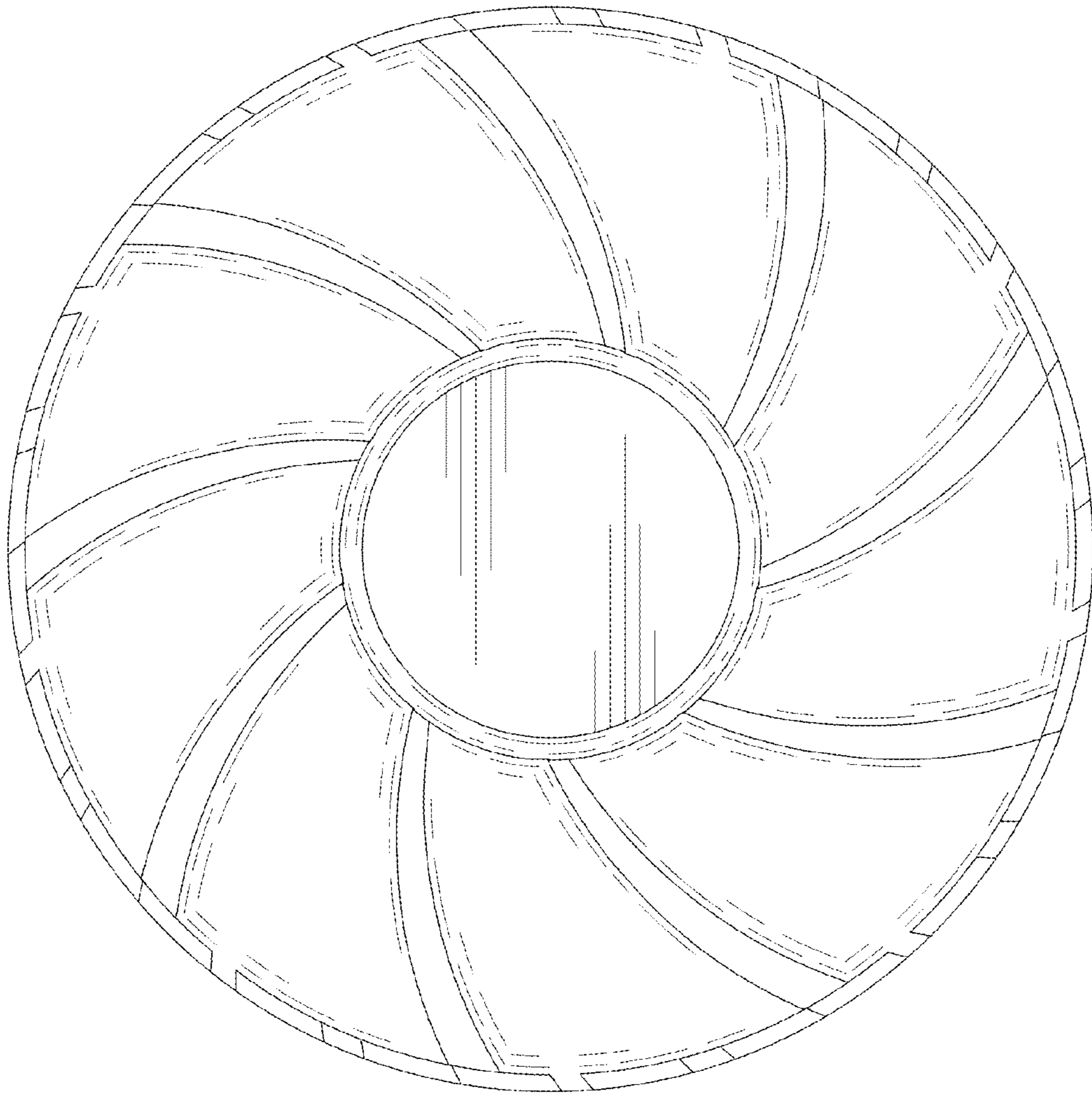


FIG.6

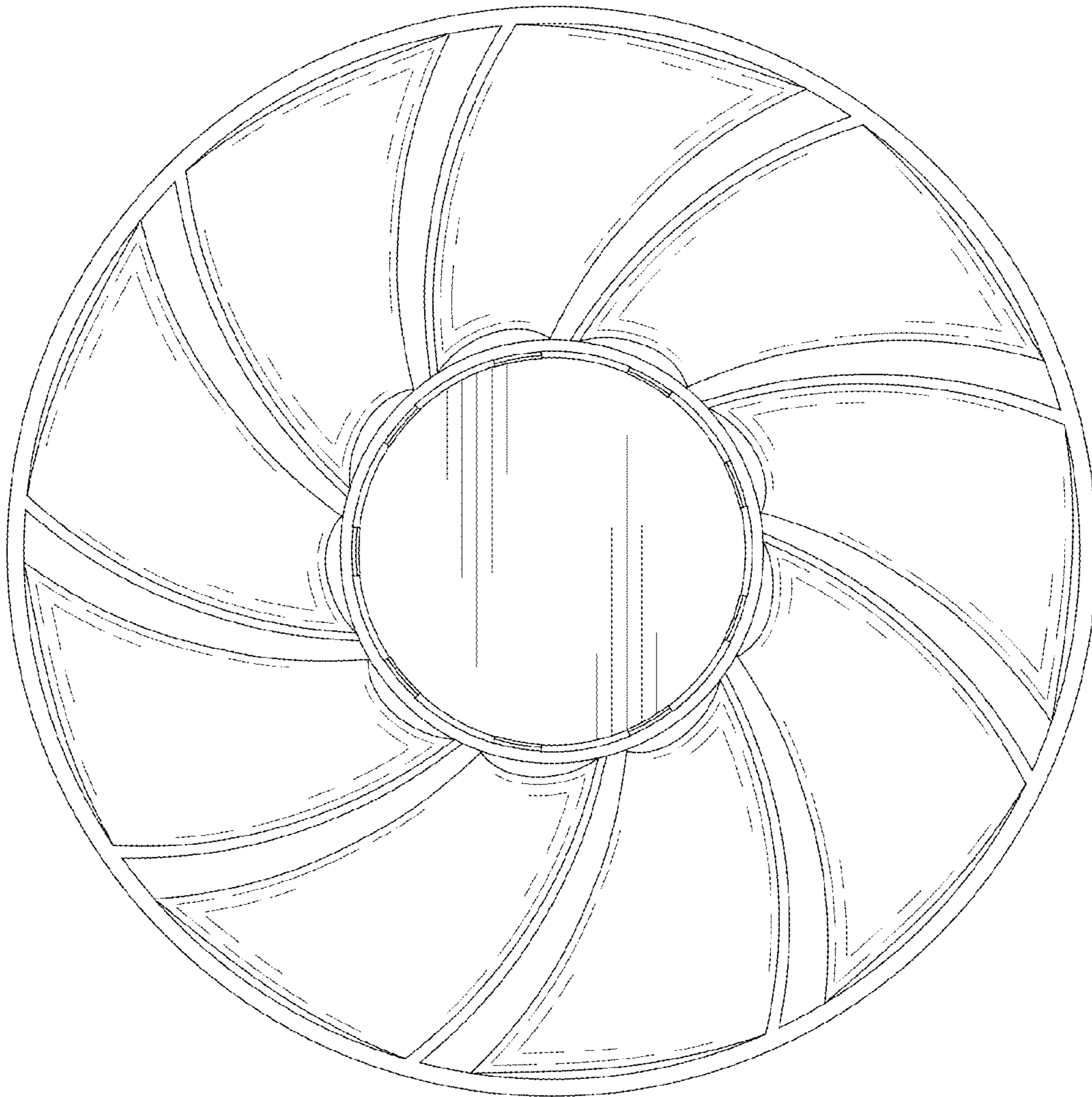


FIG. 7

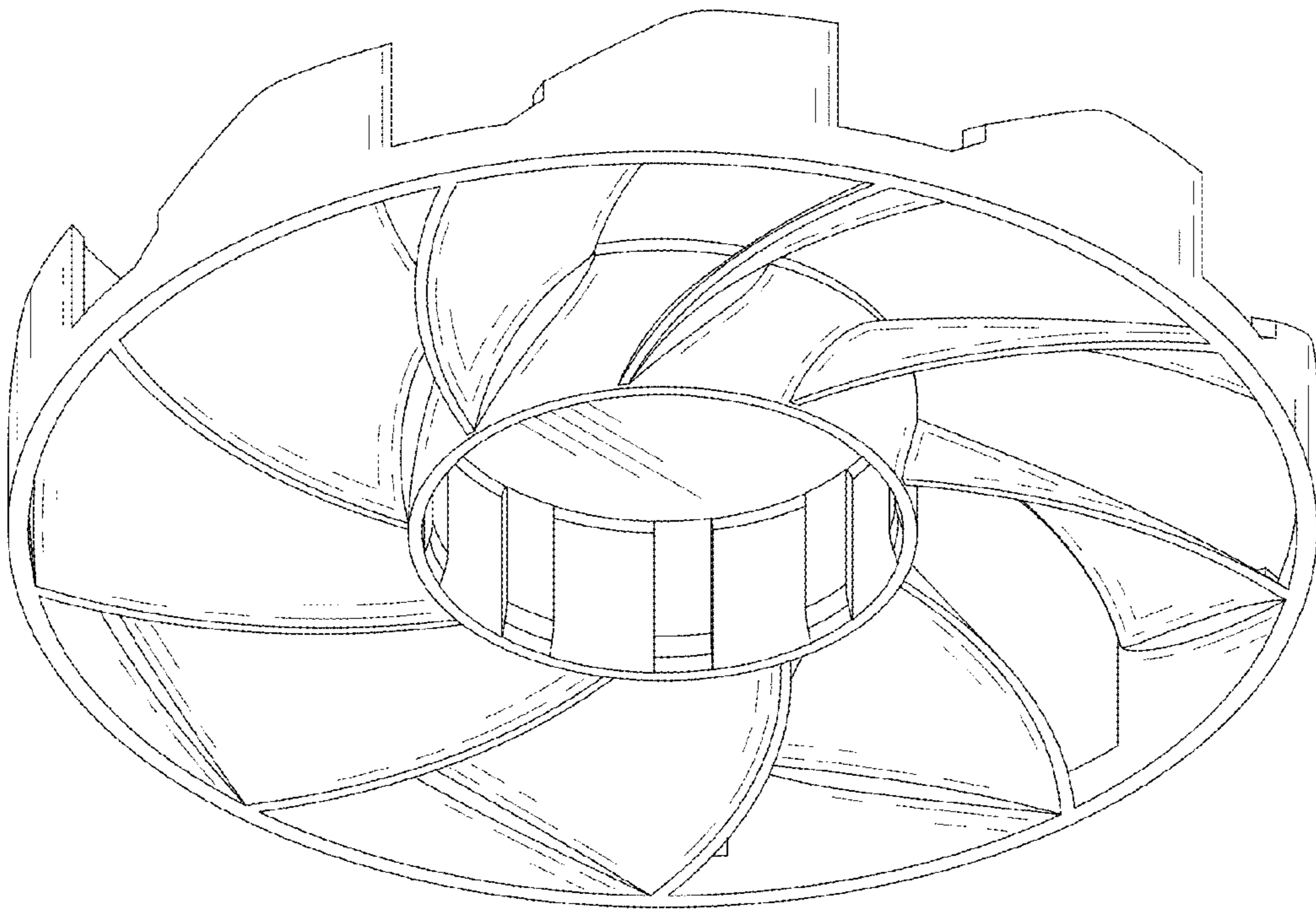


FIG.8