



US00D681186S

(12) **United States Design Patent**  
**Pan**

(10) **Patent No.:** **US D681,186 S**

(45) **Date of Patent:** **\*\* Apr. 30, 2013**

(54) **FAN HOUSING**

(71) Applicant: **Jye Liang Pan**, Taipei (TW)

(72) Inventor: **Jye Liang Pan**, Taipei (TW)

(\*\*) Term: **14 Years**

(21) Appl. No.: **29/433,205**

(22) Filed: **Sep. 27, 2012**

(51) **LOC (9) Cl.** ..... **23-04**

(52) **U.S. Cl.**  
USPC ..... **D23/411**; D23/370; D23/382

(58) **Field of Classification Search** ..... D23/381–383,  
D23/370–379, 385–388, 393, 394, 399, 411–414;  
454/237–253, 186, 228–236; 52/302.1; 417/423.1,  
417/423.14; 415/182.1, 200, 90; 416/244 R,  
416/246, 247 R; D6/309; D21/430, 436,  
D21/442, 447, 450, 453, 458

See application file for complete search history.

(56) **References Cited**

**U.S. PATENT DOCUMENTS**

D346,019 S *	4/1994	Cheslock et al.	.....	D23/382
D398,983 S *	9/1998	Keller et al.	.....	D23/382
D421,114 S *	2/2000	Lozzio et al.	.....	D23/382
D427,674 S *	7/2000	Moreno	.....	D23/412
D429,808 S *	8/2000	Krauss et al.	.....	D23/411

D597,195 S *	7/2009	Zhuang	.....	D23/411
D620,100 S *	7/2010	Peterson et al.	.....	D23/411
D630,723 S *	1/2011	Ediger et al.	.....	D23/411
D645,952 S *	9/2011	Peterson et al.	.....	D23/411
D645,953 S *	9/2011	Peterson et al.	.....	D23/411
D673,256 S *	12/2012	Shapiro	.....	D23/411

\* cited by examiner

*Primary Examiner* — Robert M Spear

*Assistant Examiner* — Janice Hallmark

(74) *Attorney, Agent, or Firm* — Frank Marino

(57) **CLAIM**

The ornamental design for a fan housing, as shown and described.

**DESCRIPTION**

FIG. 1 is a front perspective of a fan housing according to my new design;

FIG. 2 is a right side view of the fan housing of FIG. 1;

FIG. 3 is a front view of the fan housing of FIG. 1;

FIG. 4 is a left side view of the fan housing of FIG. 1;

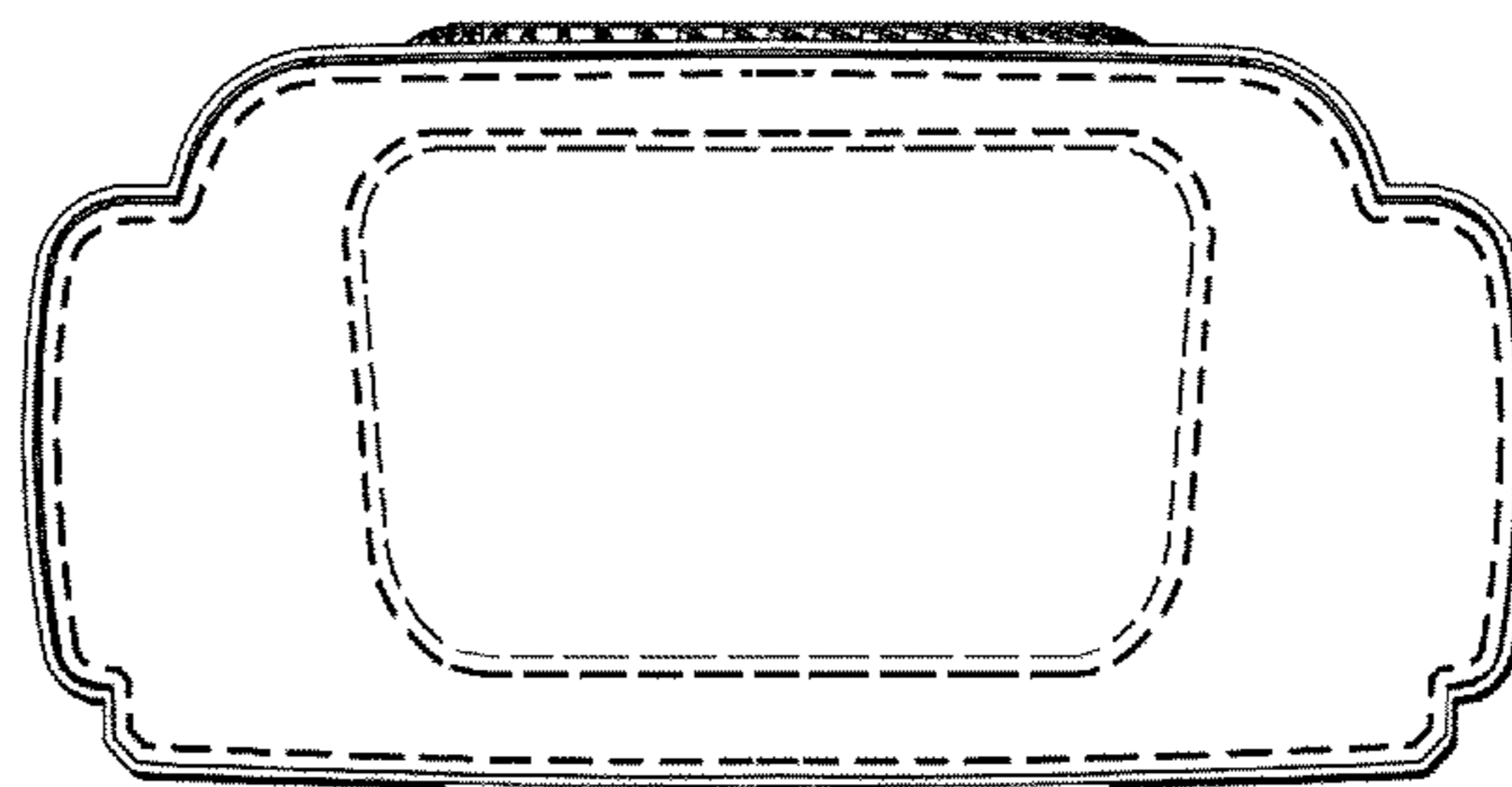
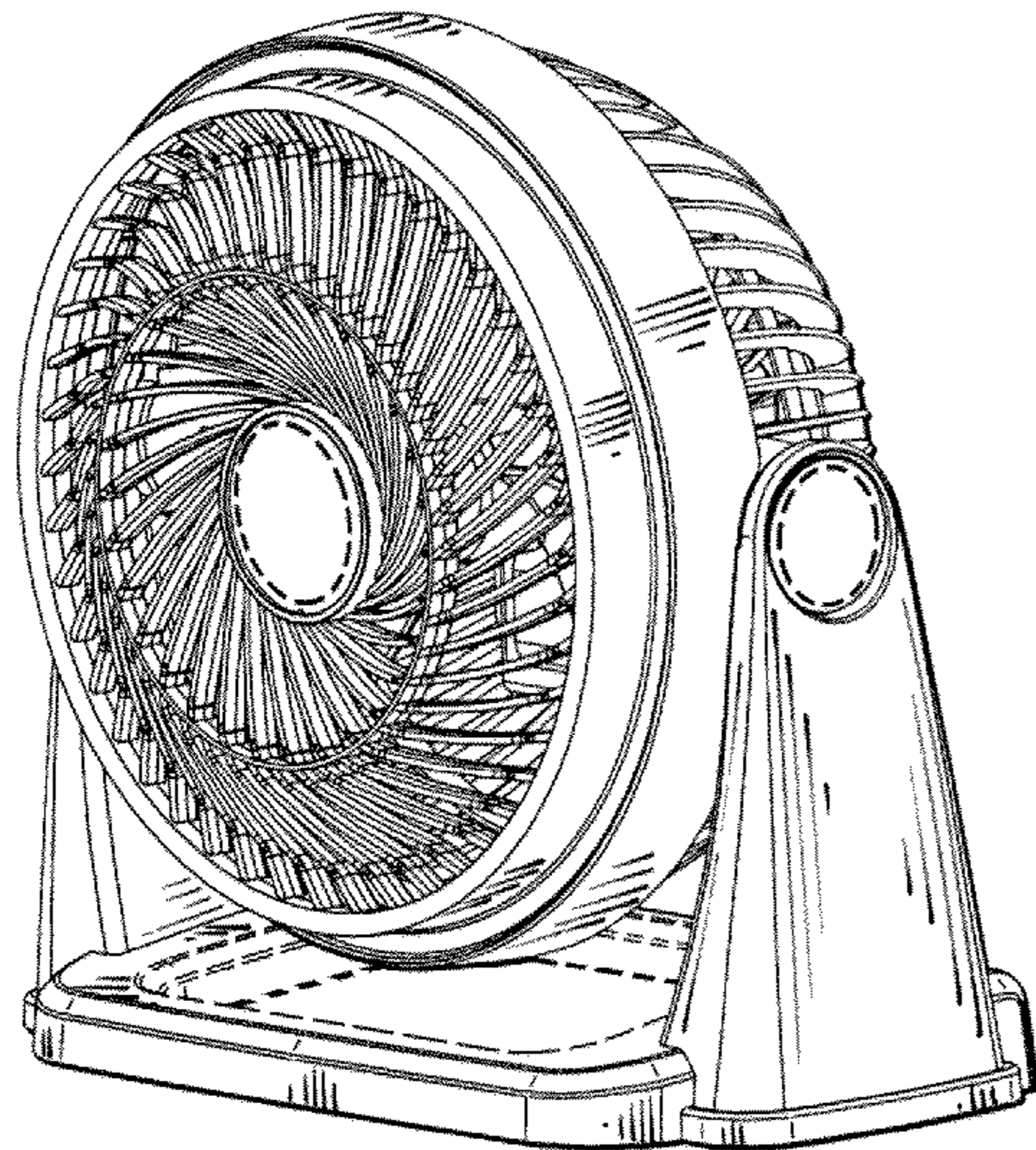
FIG. 5 is a rear view of the fan housing of FIG. 1;

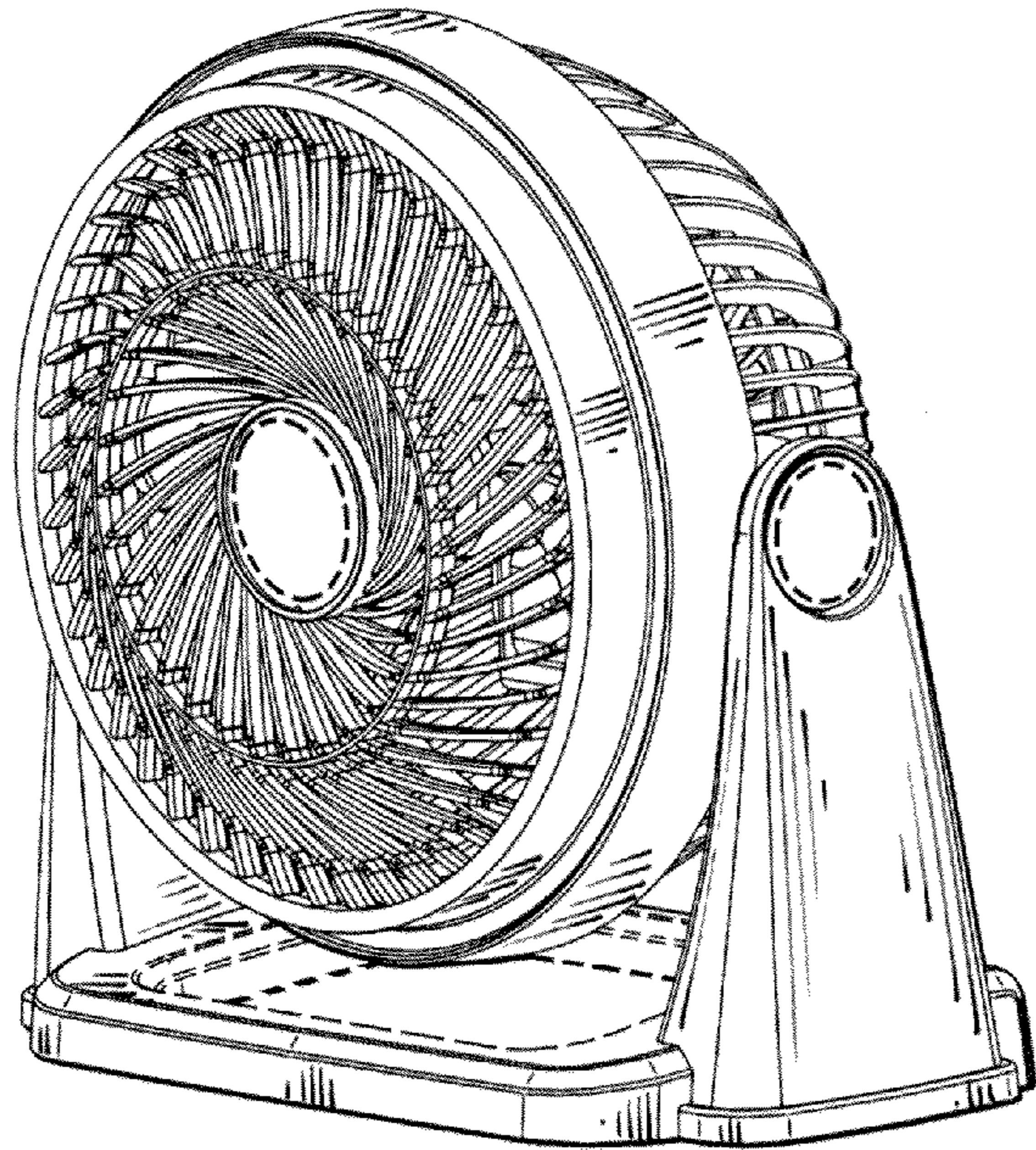
FIG. 6 is a top view of the fan housing of FIG. 1; and,

FIG. 7 is a bottom view of the fan housing of FIG. 1.

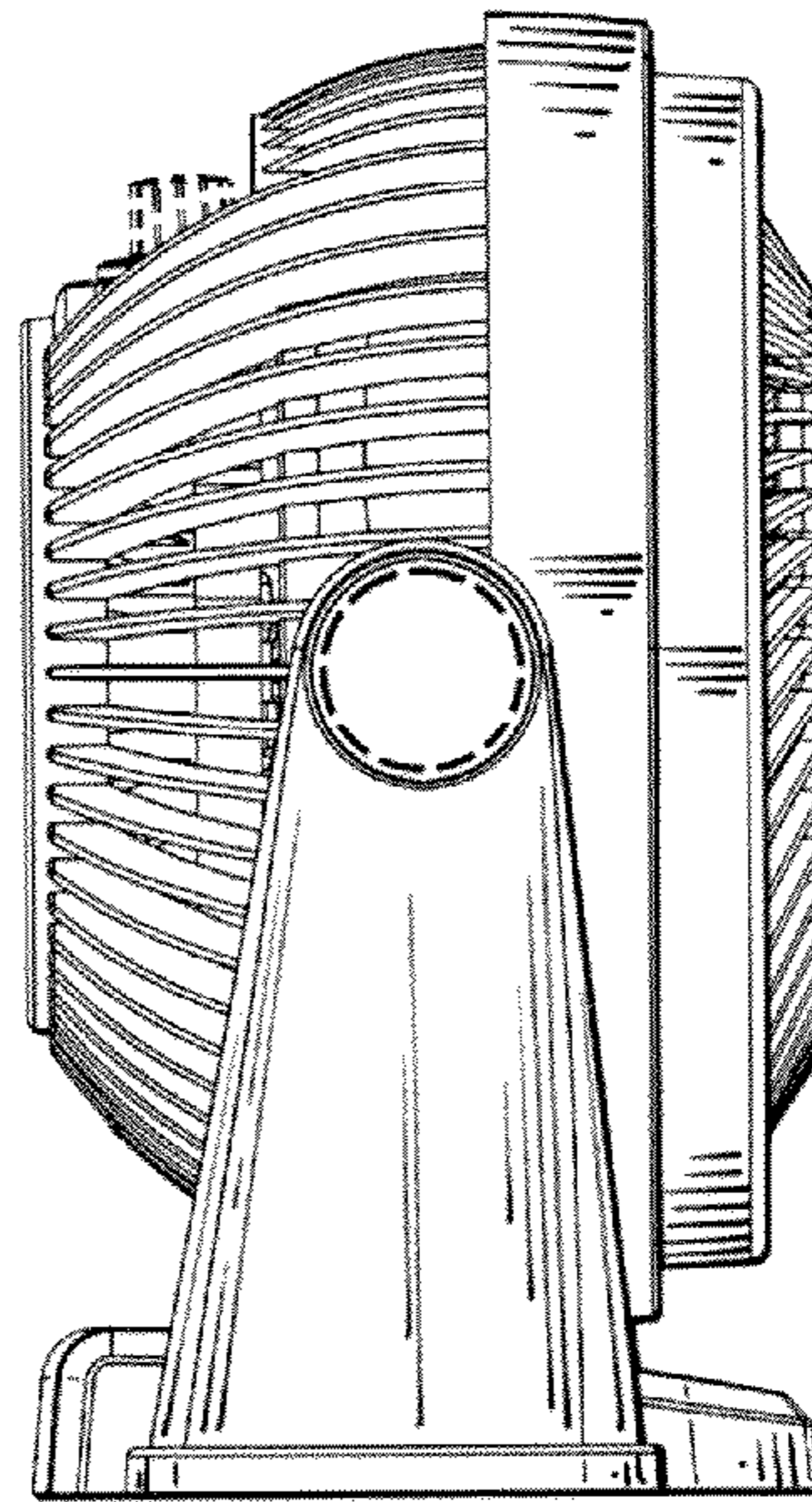
Those features shown in broken lines are included for providing environment only, and form no part of the claimed design.

**1 Claim, 2 Drawing Sheets**

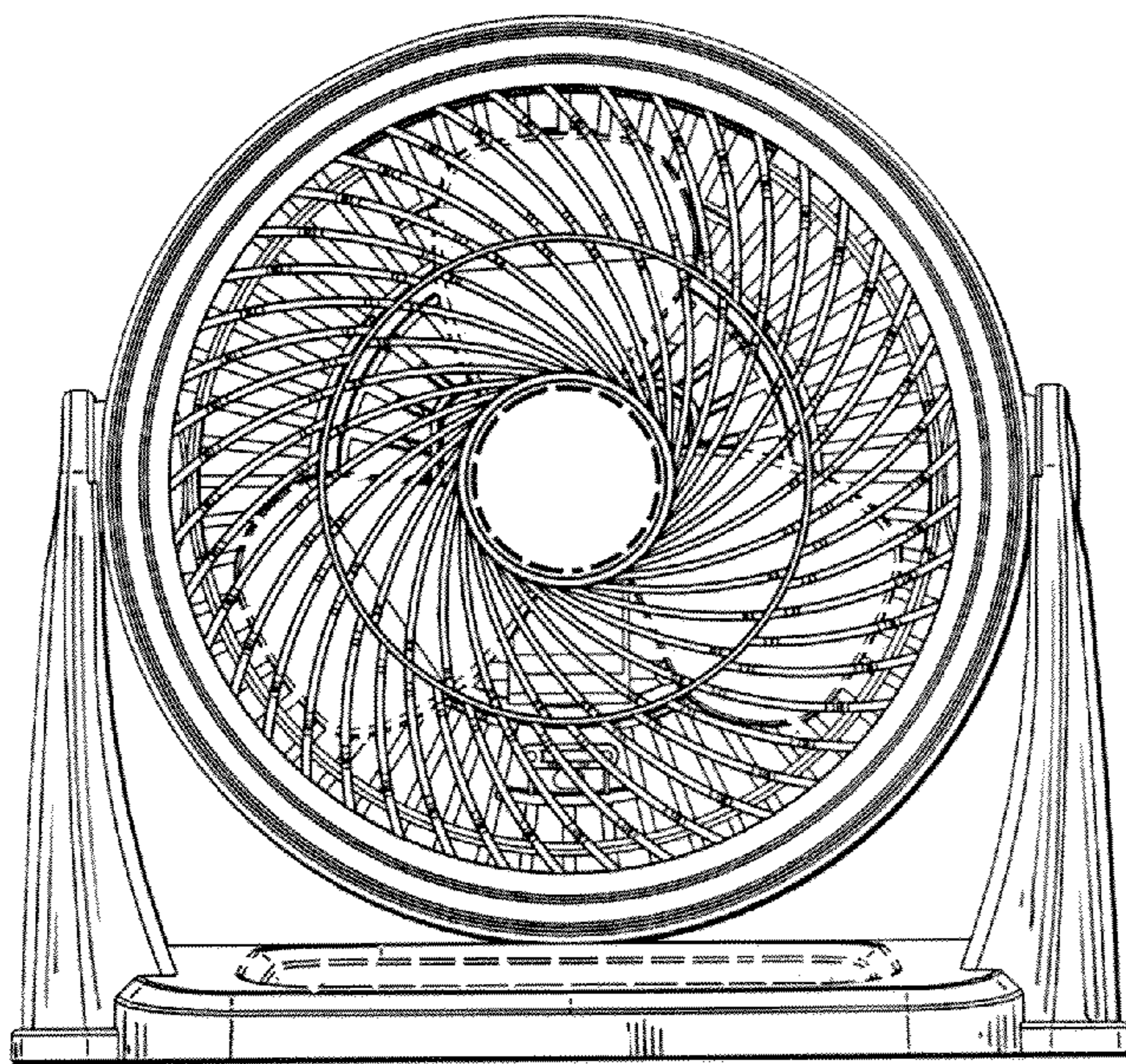




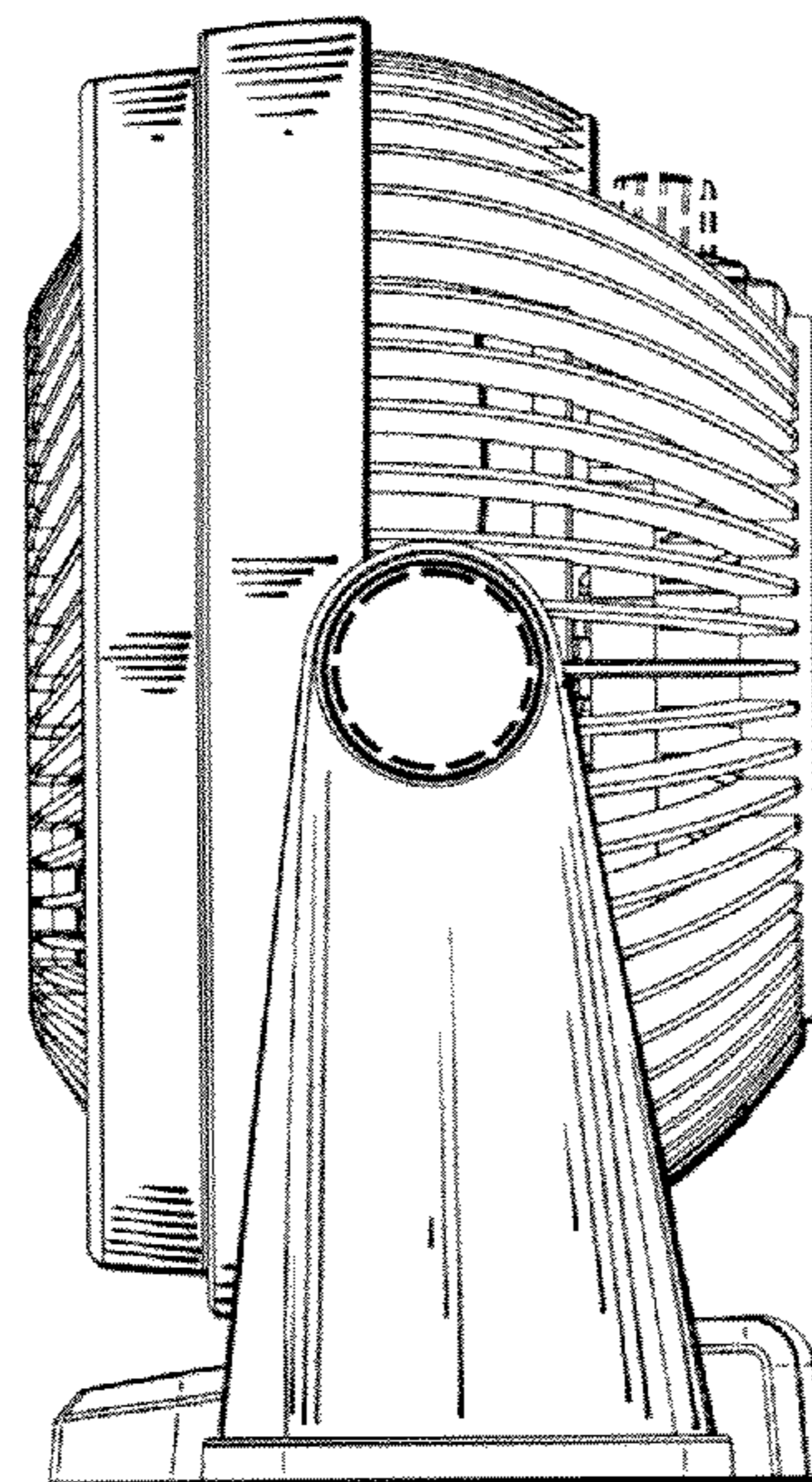
*Fig. 1*



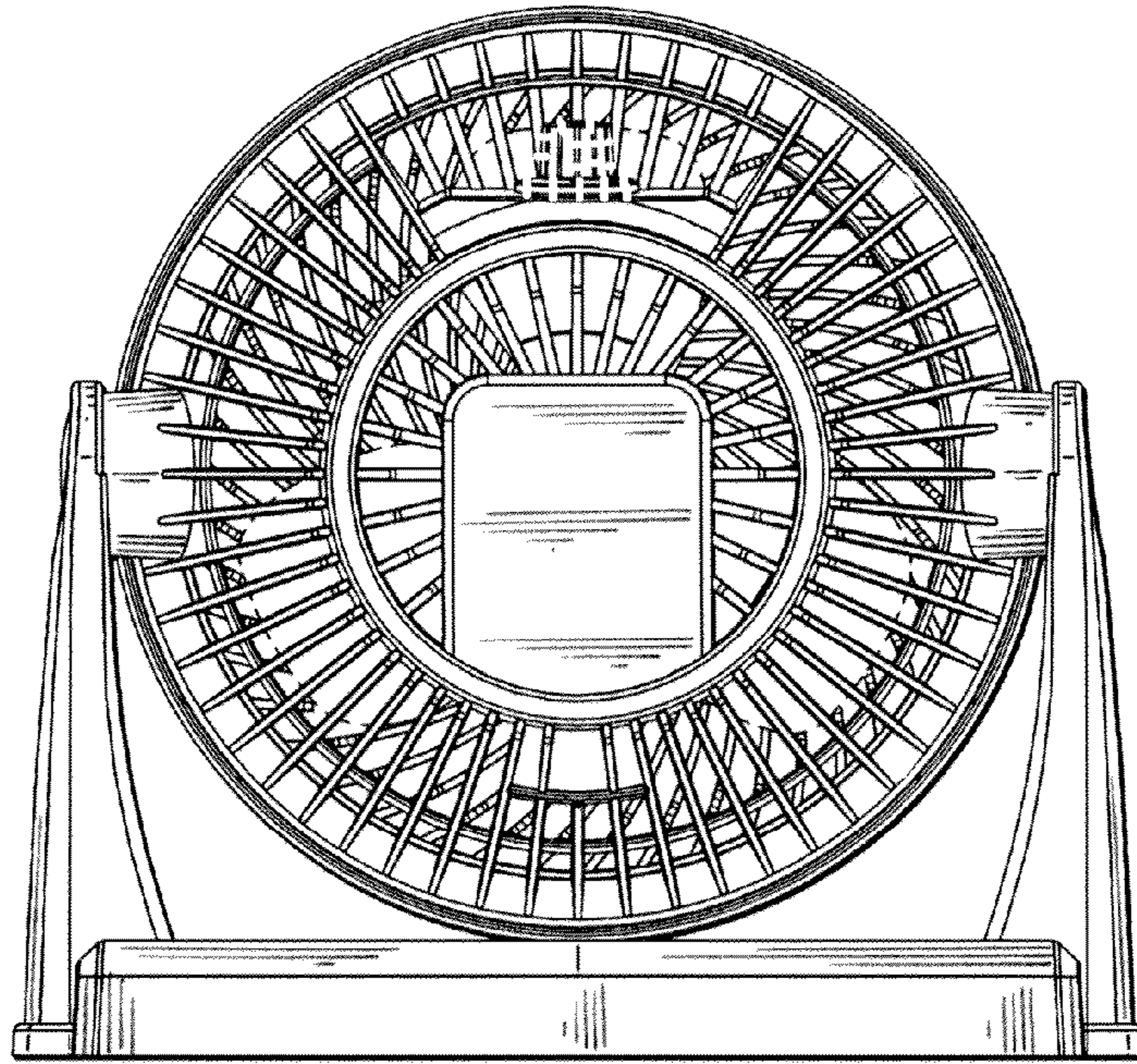
*Fig. 2*



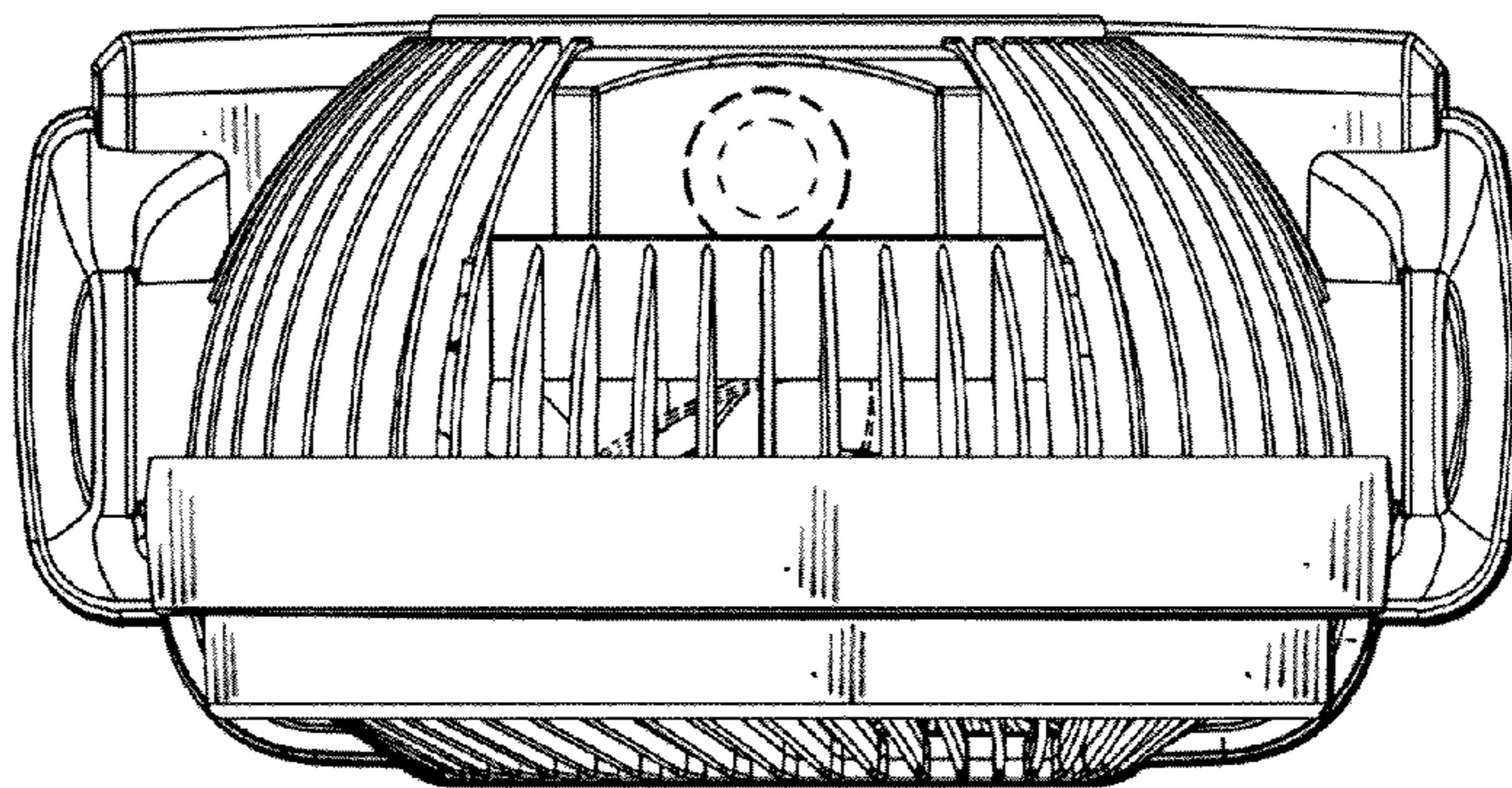
*Fig. 3*



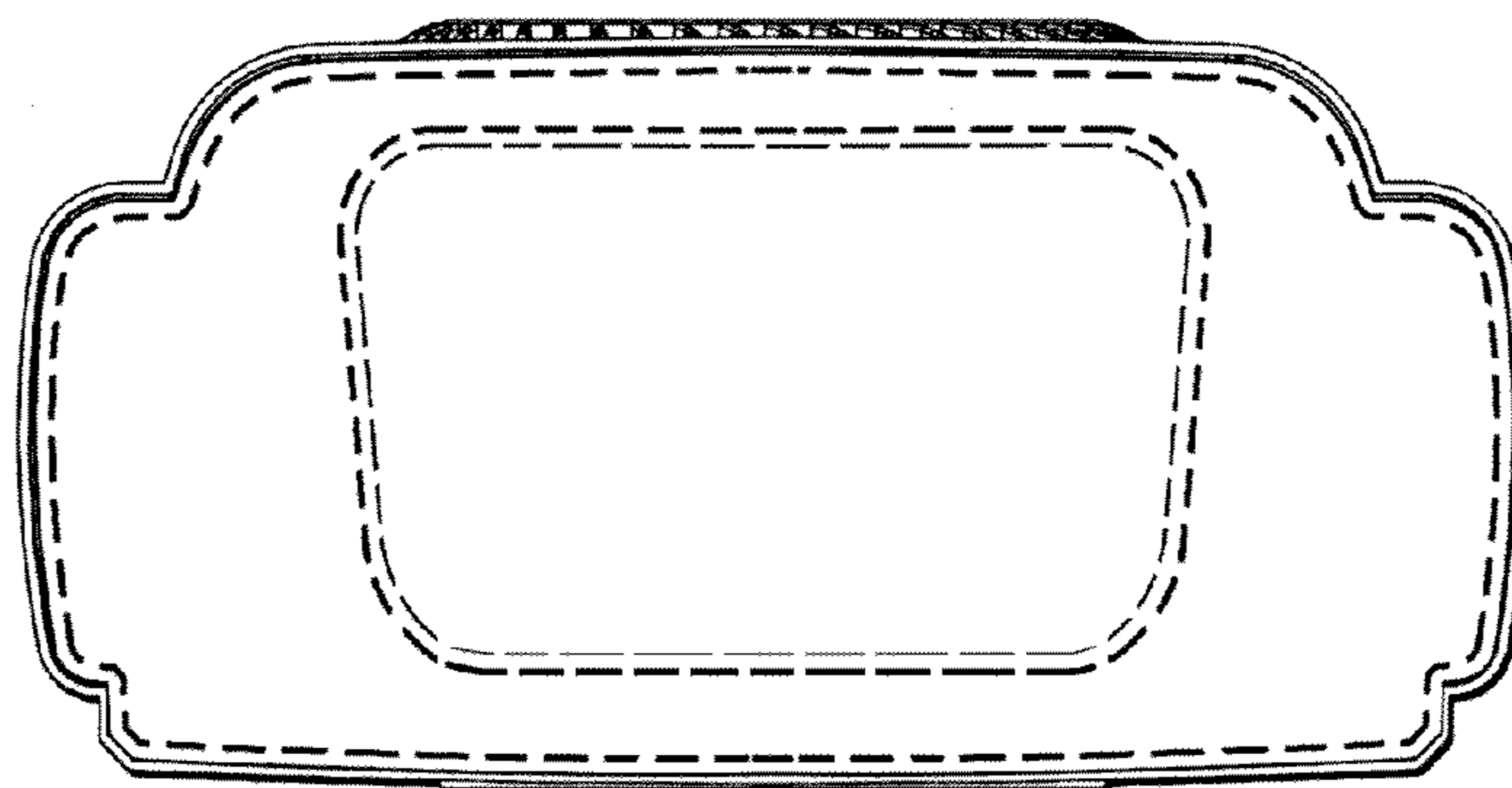
*Fig. 4*



*Fig. 5*



*Fig. 6*



*Fig. 7*