



US00D681181S

(12) **United States Design Patent**
Iovanel

(10) **Patent No.:** **US D681,181 S**
(45) **Date of Patent:** **** Apr. 30, 2013**

(54) **MODULAR CHILLER SYSTEM**

(76) Inventor: **Flavian Iovanel**, Plainville, MA (US)

(**) Term: **14 Years**

(21) Appl. No.: **29/421,701**

(22) Filed: **Sep. 4, 2012**

(51) **LOC (9) Cl.** **23-04**

(52) **U.S. Cl.**
USPC **D23/351**

(58) **Field of Classification Search** D6/314,
D6/317, 332-333, 351; 312/236; 62/259.1,
62/259.3, 259.4, 262-263, 304, 401, 515-516;
454/330-331, 349-350, 354

See application file for complete search history.

(56) **References Cited**

U.S. PATENT DOCUMENTS

D435,095	S	*	12/2000	Nanjo	D23/351
D562,954	S	*	2/2008	Brenneke et al.	D23/351
D605,271	S	*	12/2009	Sata et al.	D23/351
D617,887	S	*	6/2010	Sata et al.	D23/351
D628,685	S	*	12/2010	Aoyama et al.	D23/351
D629,878	S	*	12/2010	Kaiser et al.	D23/351
D649,234	S	*	11/2011	Iovanel	D23/351

* cited by examiner

Primary Examiner — Brian N Vinson

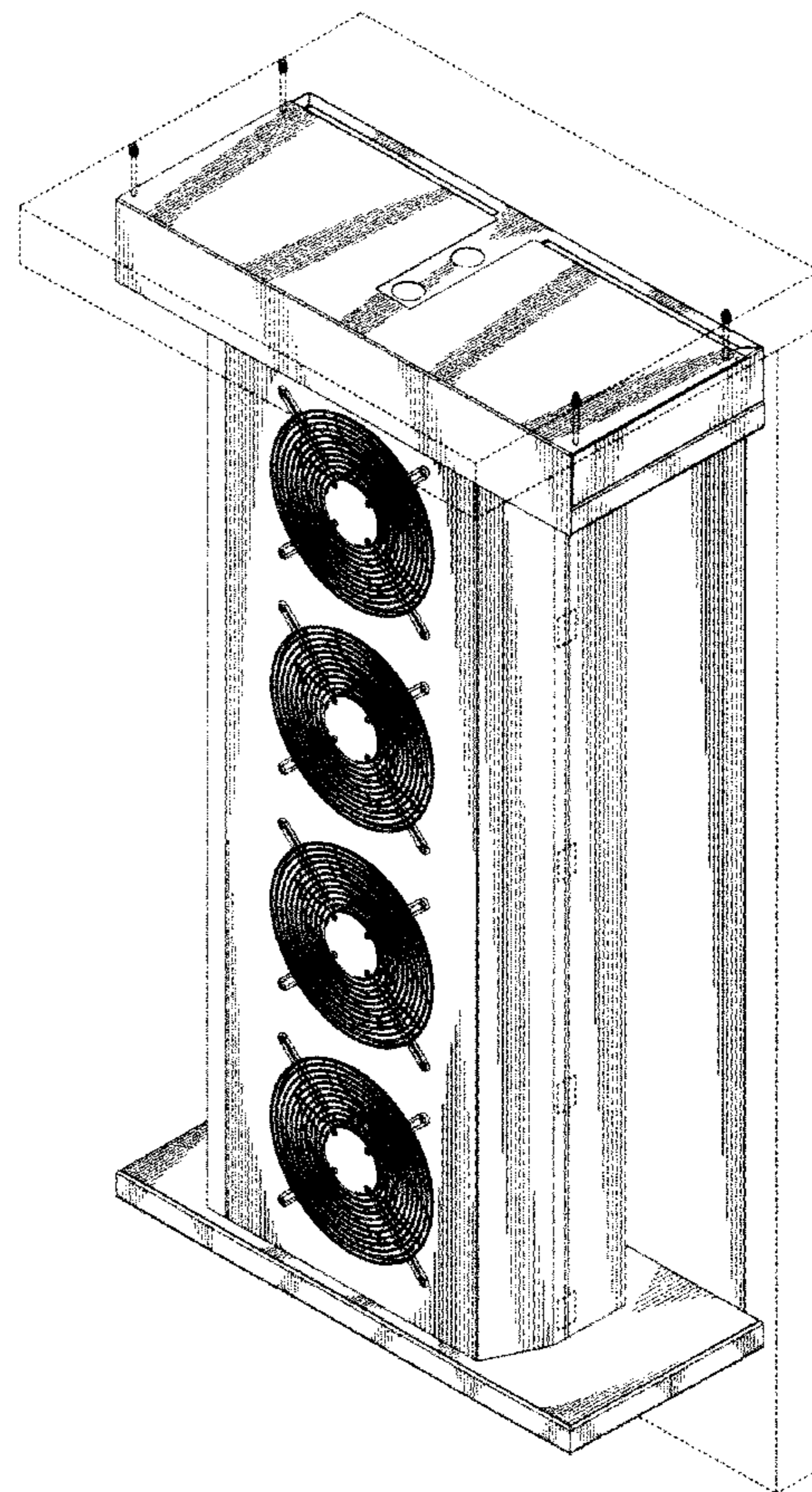
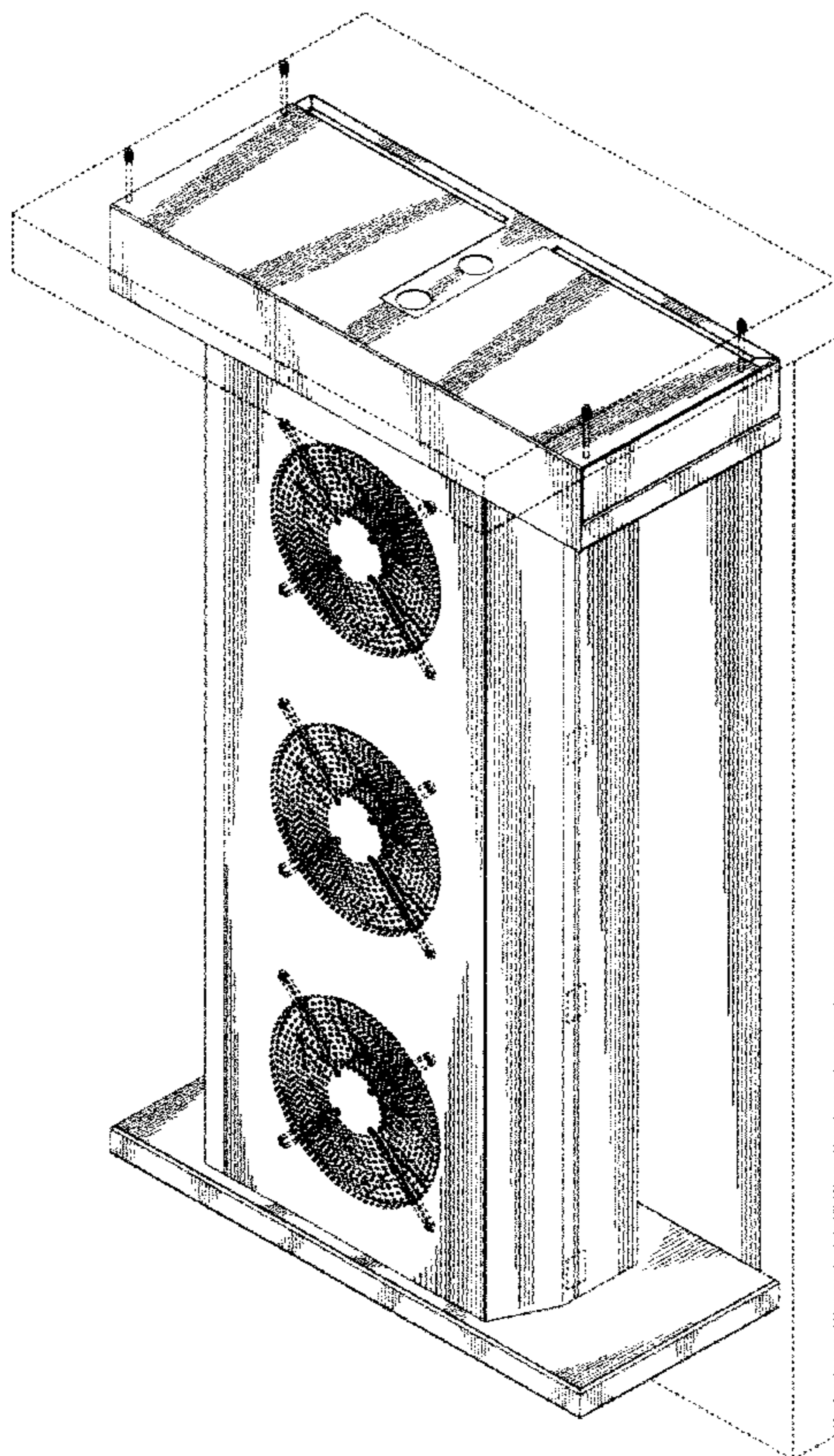
(57) **CLAIM**

The ornamental design for a modular chiller system, as shown and described.

DESCRIPTION

FIG. 1 is a front perspective view of the modular chiller system employing my new design;
 FIG. 2 is a front view of FIG. 1;
 FIG. 3 is a rear view of FIG. 2;
 FIG. 4 is a right side view of FIG. 2;
 FIG. 5 is a left side view of FIG. 2;
 FIG. 6 is a top view of FIG. 2;
 FIG. 7 is a bottom view of FIG. 2;
 FIG. 8 is a front perspective view of an alternate embodiment of FIG. 1;
 FIG. 9 is a front view of FIG. 8;
 FIG. 10 is a rear view of FIG. 8;
 FIG. 11 is a right side view of FIG. 8;
 FIG. 12 is a left side view of FIG. 8;
 FIG. 13 is a top view of FIG. 8; and,
 FIG. 14 is a bottom view of FIG. 8.
 The broken lines are for illustrative purposes only and form no part of the claimed design.

1 Claim, 12 Drawing Sheets



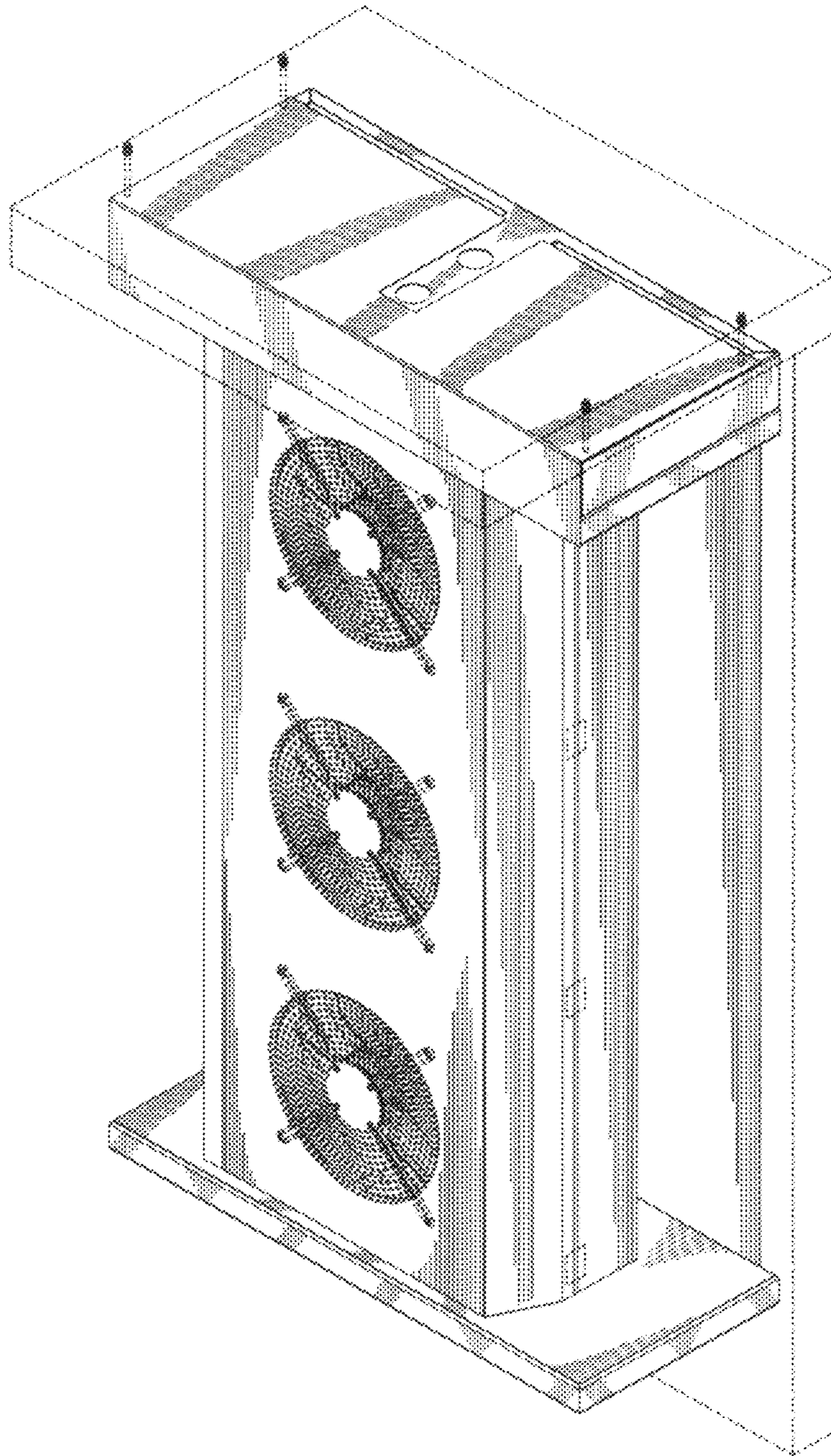


FIG. 1

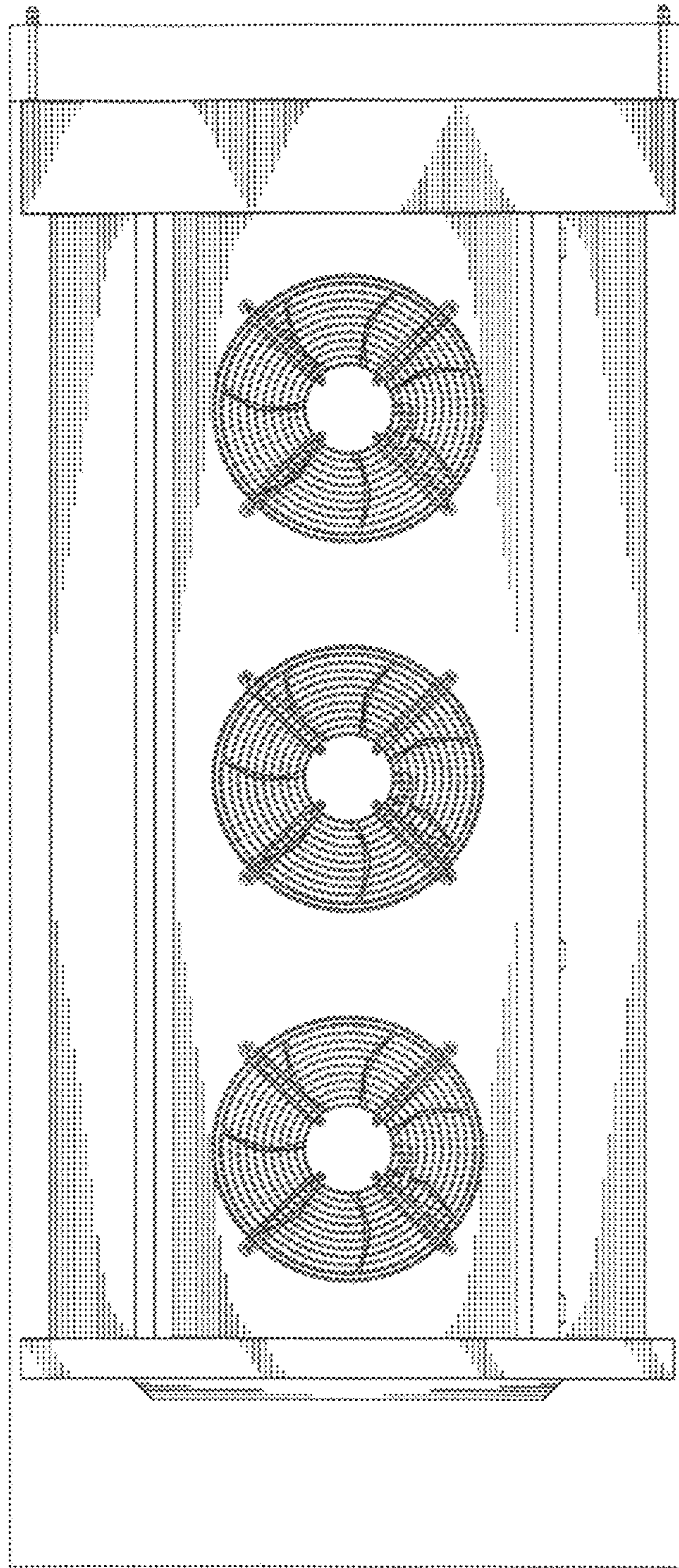


FIG. 2

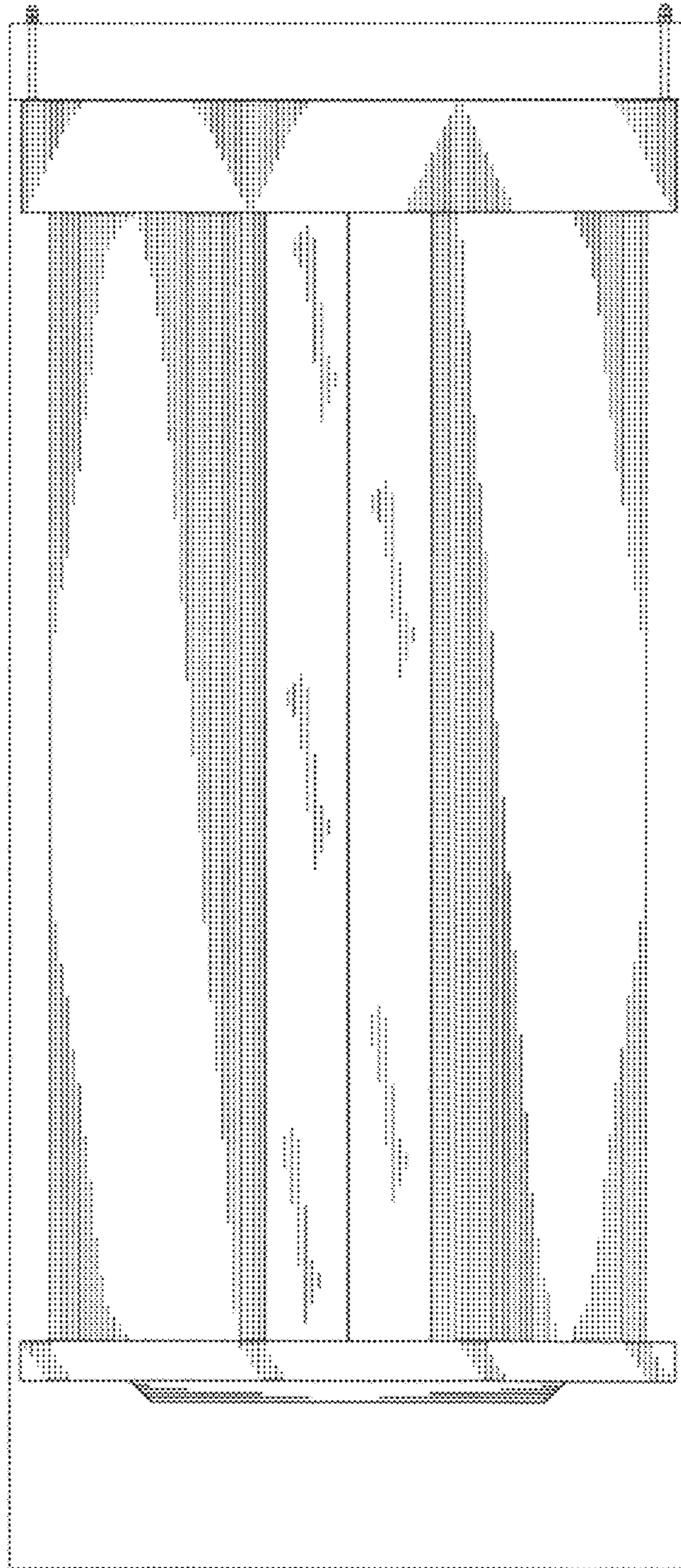


FIG. 3

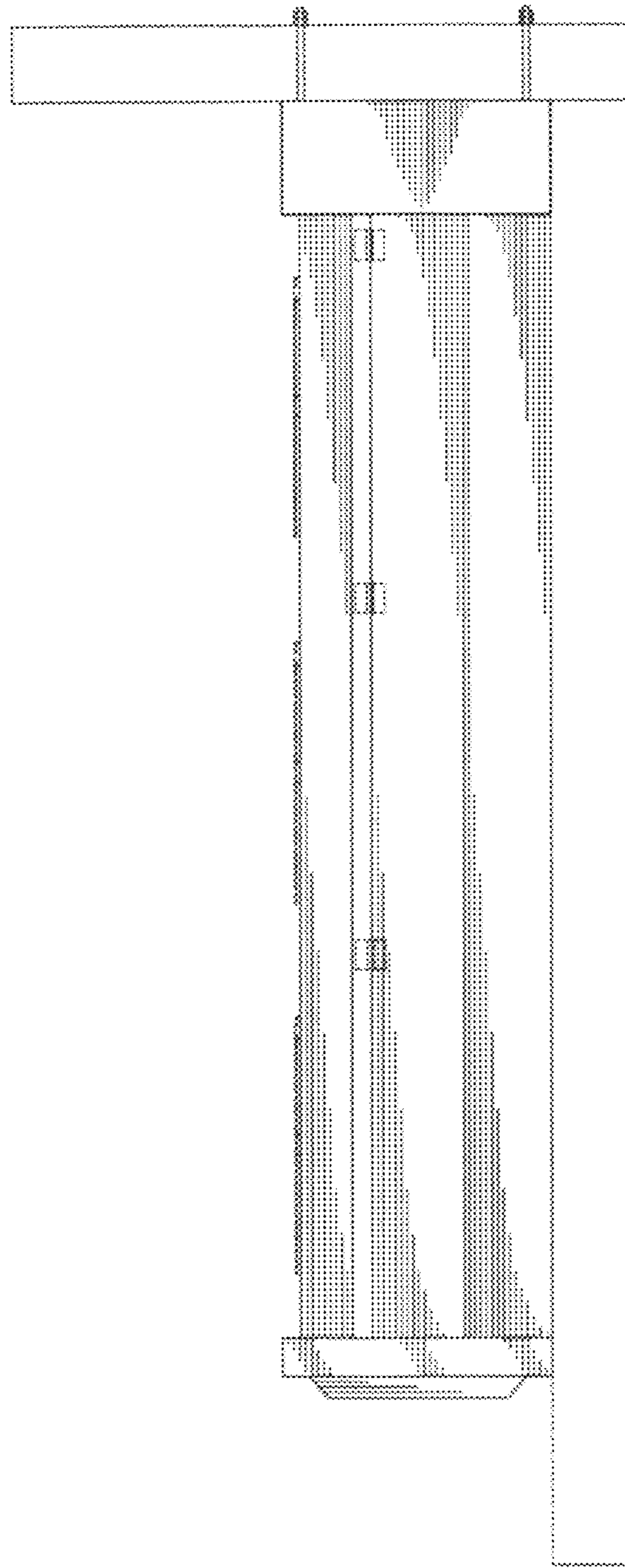


FIG. 4

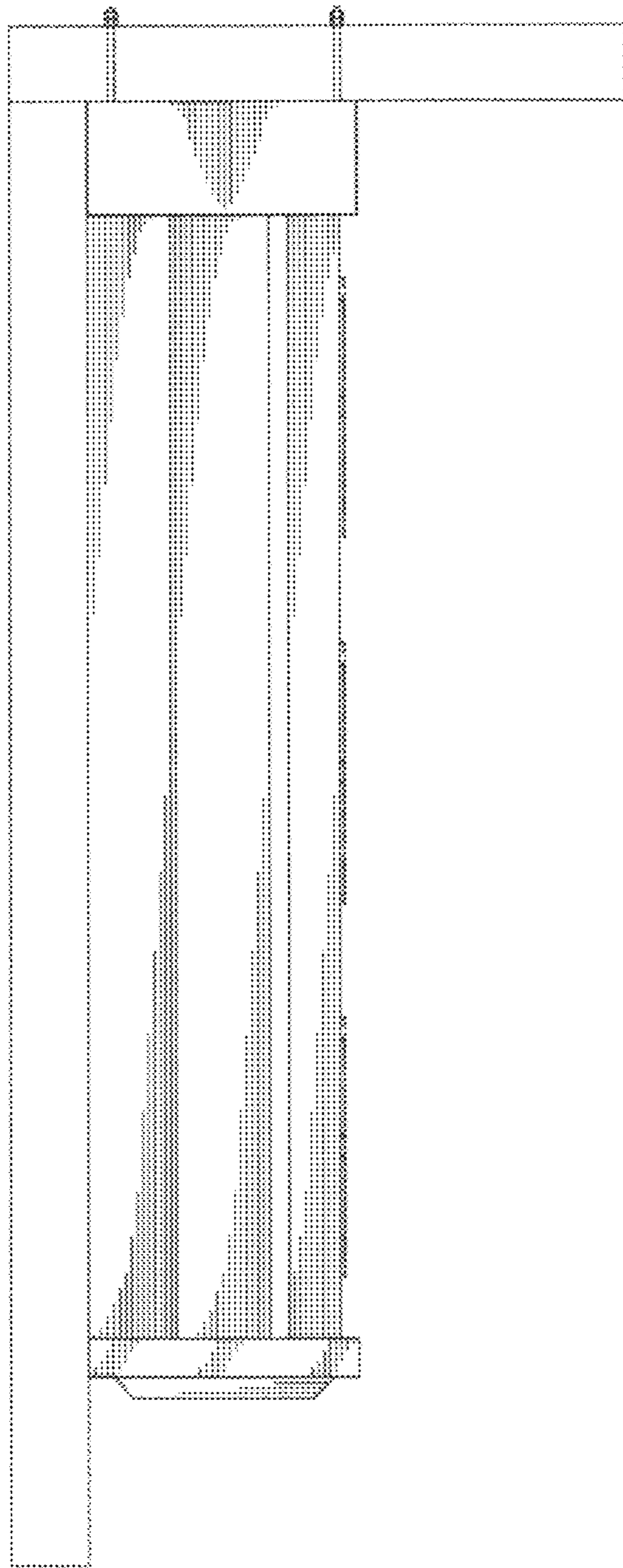


FIG. 5

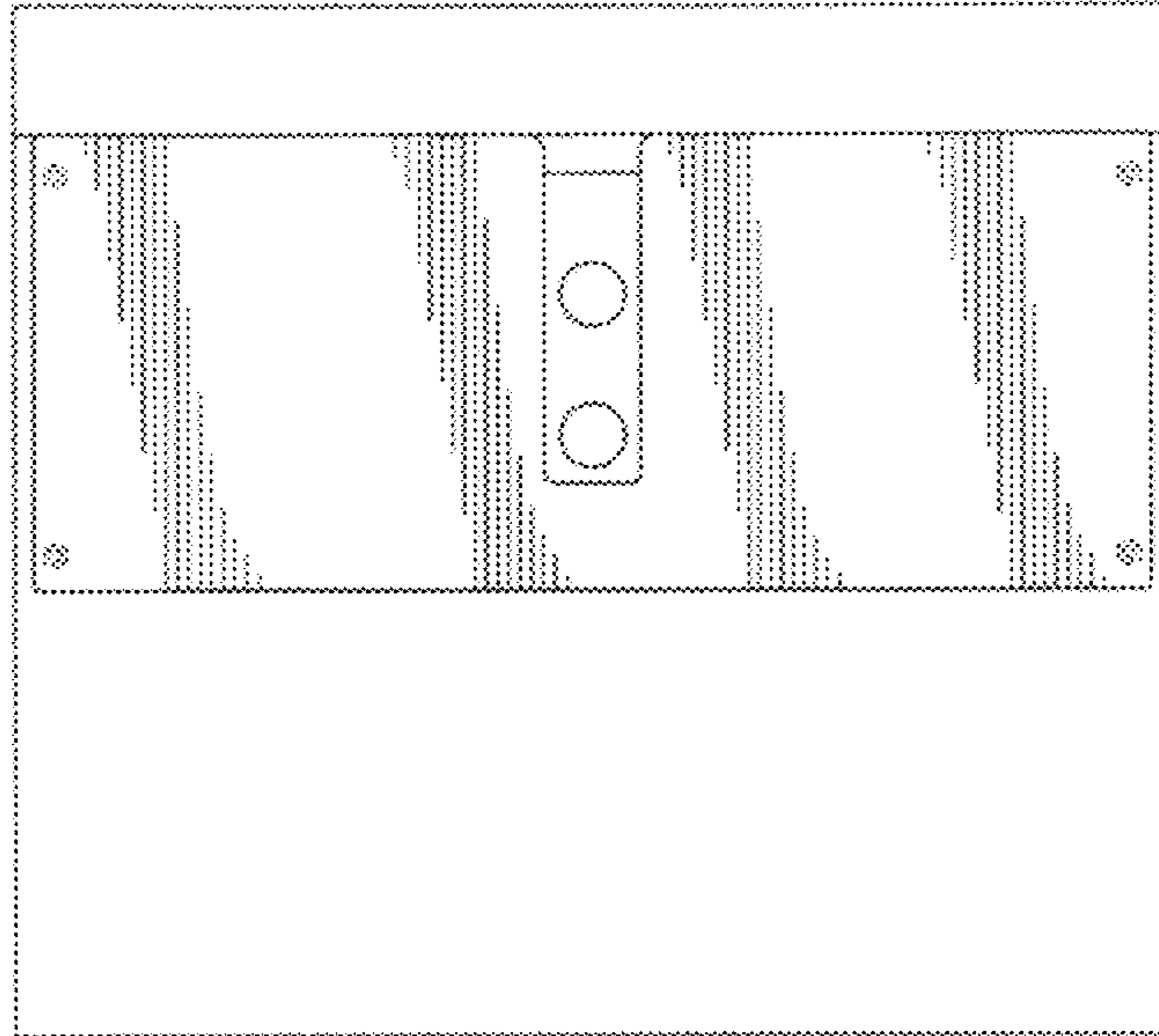


FIG. 6

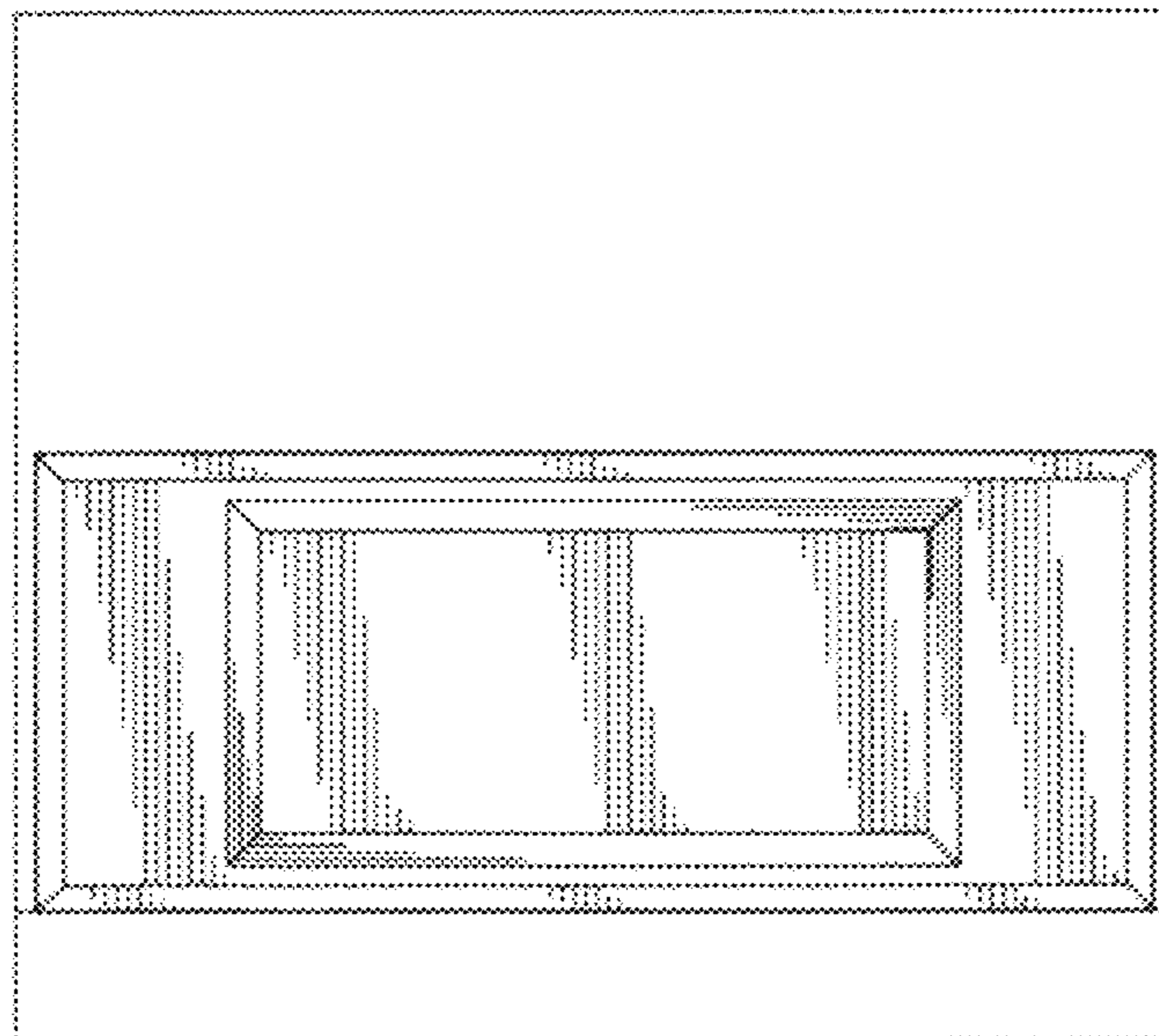


FIG. 7

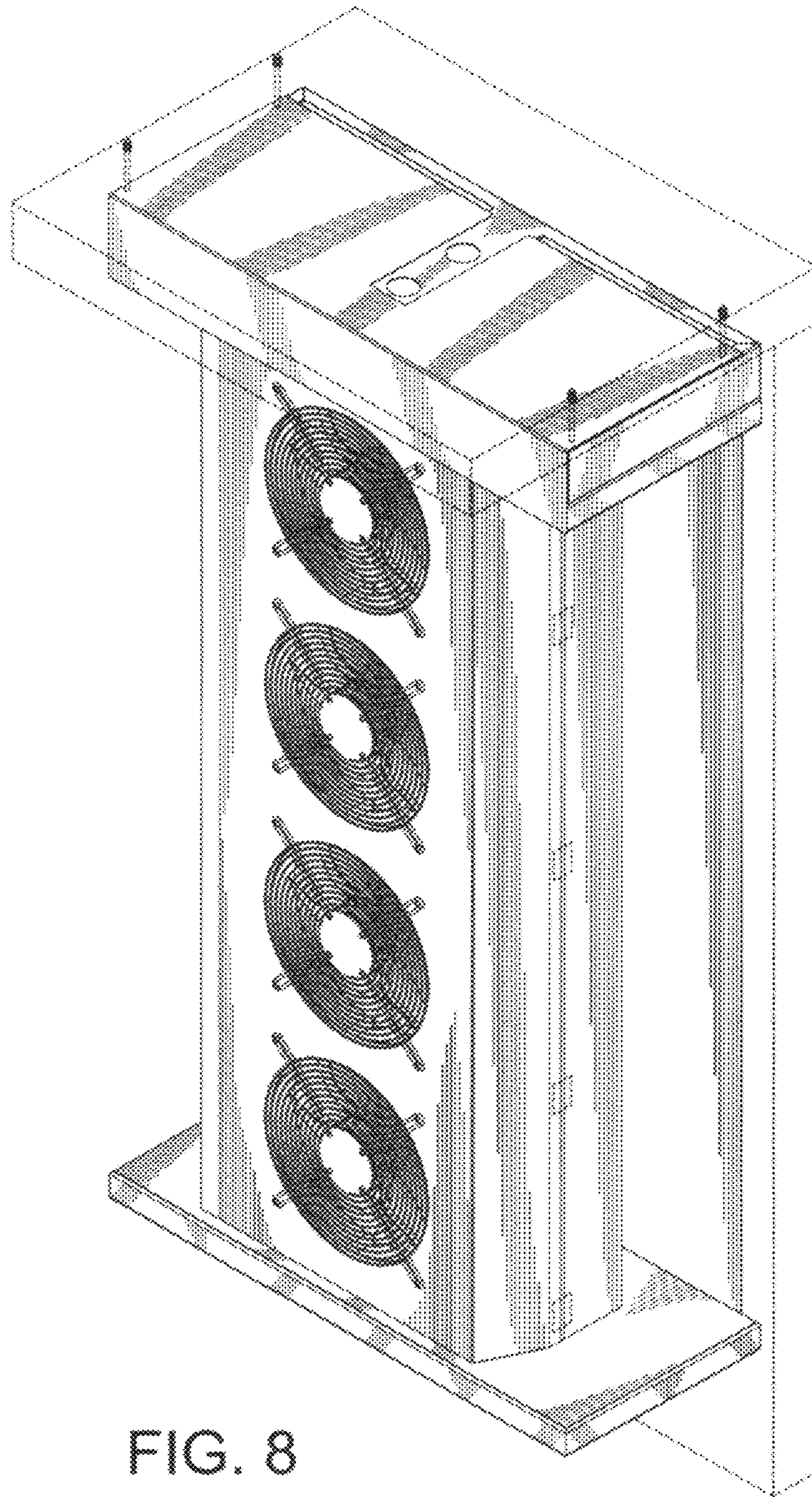


FIG. 8

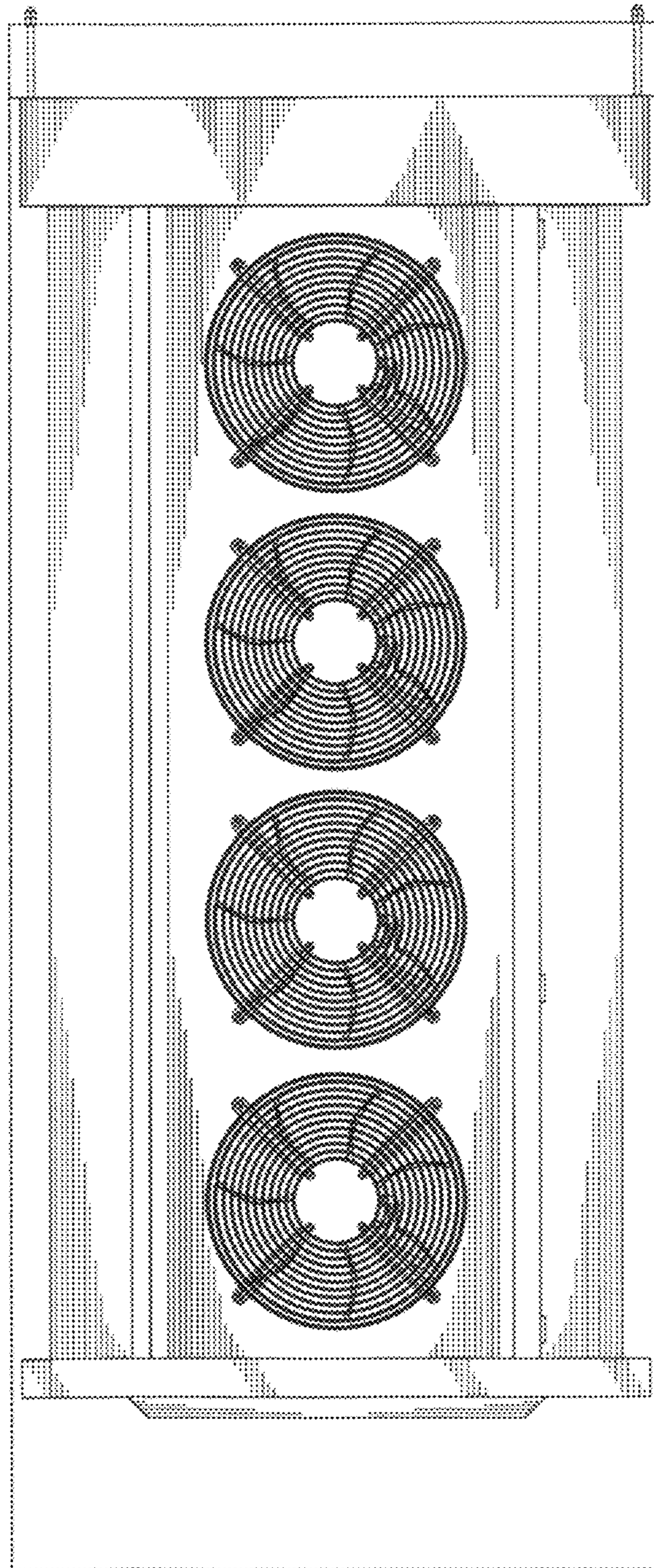


FIG. 9

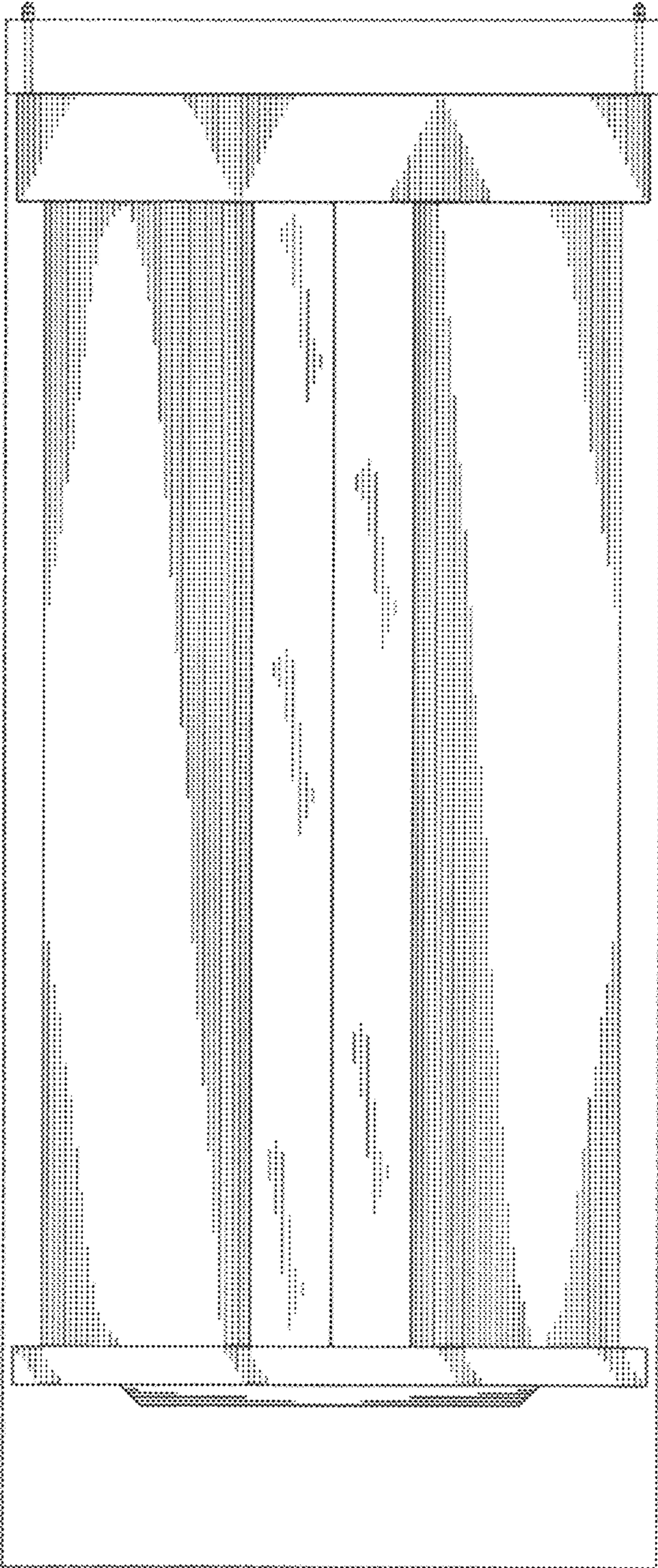


FIG. 10

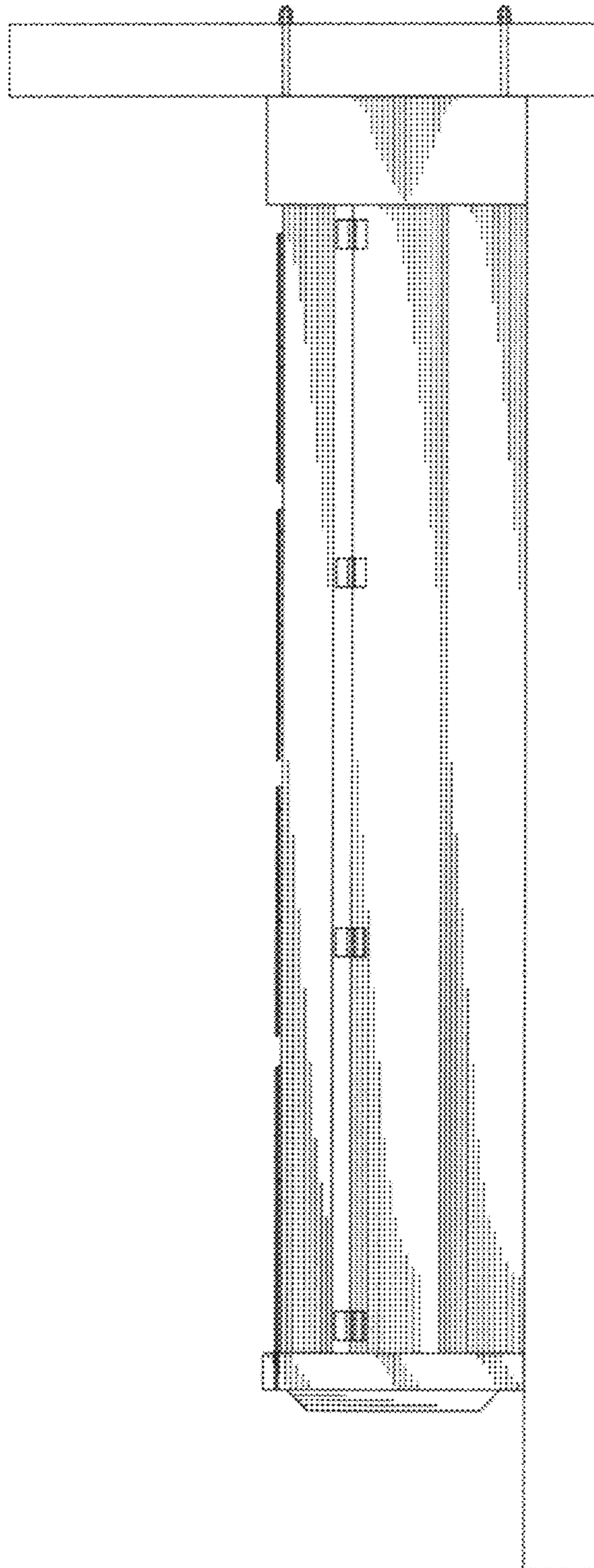


FIG. 11

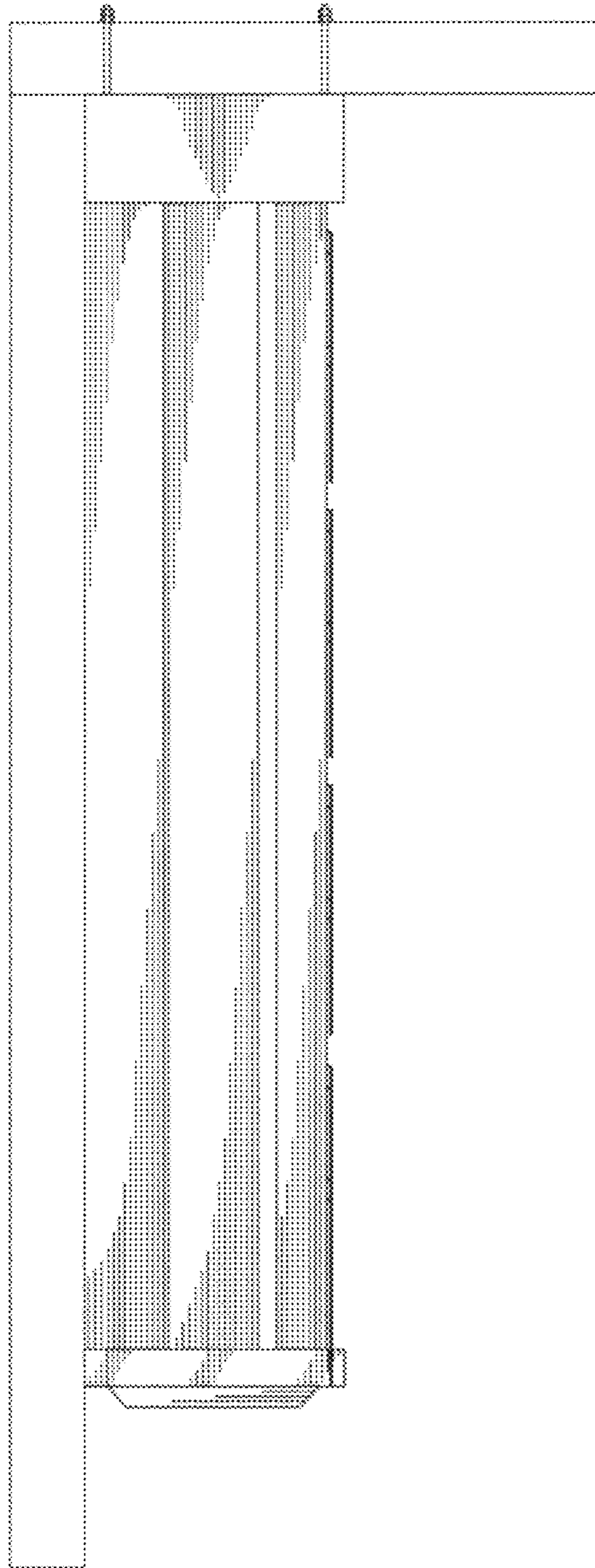


FIG. 12

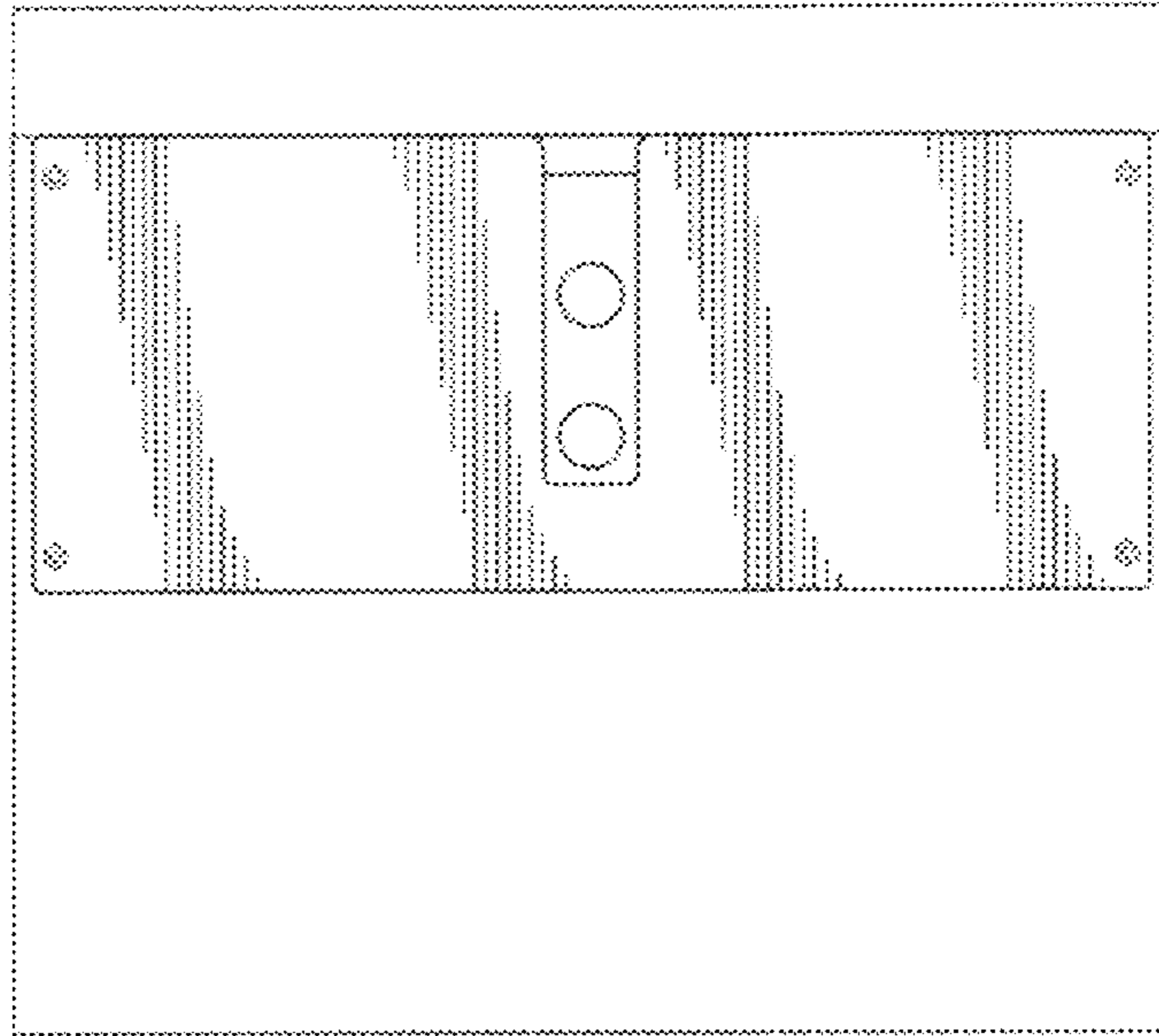


FIG. 13

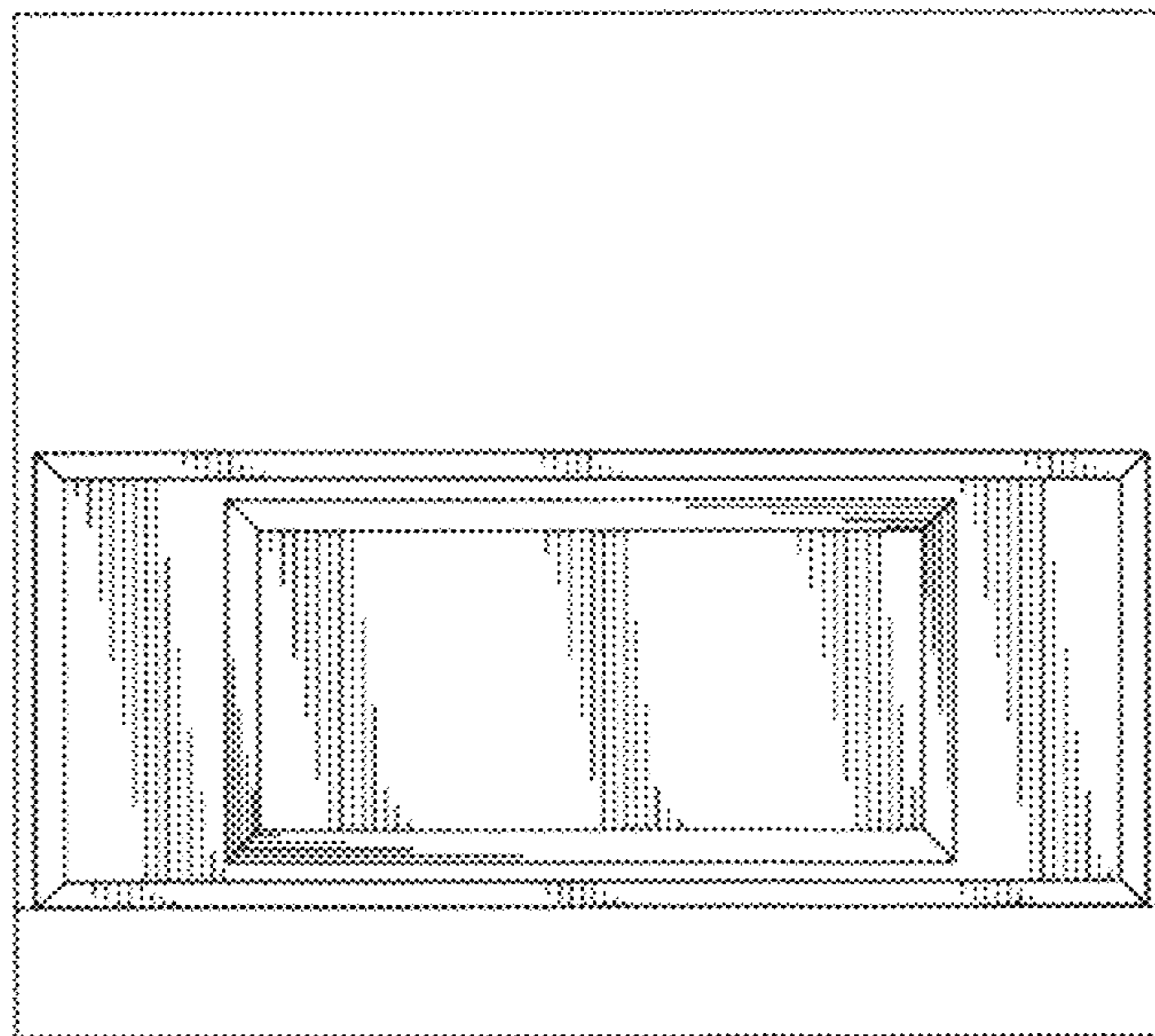


FIG. 14