



US00D681178S

(12) **United States Design Patent**  
**Schachter et al.**

(10) **Patent No.:** **US D681,178 S**  
(45) **Date of Patent:** **\*\* Apr. 30, 2013**

(54) **SHOWER BASE**

(71) Applicants: **Robert Schachter**, Montreal (CA); **Chi Hai Pham**, Brossard (CA); **Chifen Cheng**, Montreal (CA)

(72) Inventors: **Robert Schachter**, Montreal (CA); **Chi Hai Pham**, Brossard (CA); **Chifen Cheng**, Montreal (CA)

(73) Assignee: **Fleurco Products Inc.**, Montreal (CA)

(\*\*) Term: **14 Years**

(21) Appl. No.: **29/432,546**

(22) Filed: **Sep. 17, 2012**

(51) **LOC (9) Cl.** ..... **23-02**

(52) **U.S. Cl.**  
USPC ..... **D23/304**

(58) **Field of Classification Search** ..... D23/283,  
D23/303-304; 4/590, 584, 552, 578.1, 579,  
4/596, 597

See application file for complete search history.

(56) **References Cited**

U.S. PATENT DOCUMENTS

2,173,185	A *	9/1939	Stanton	.....	4/663
2,572,463	A *	10/1951	Fine	.....	4/549
3,711,872	A	1/1973	Jarosinski		
D254,748	S	4/1980	Anderson		
D332,136	S *	12/1992	Salach	.....	D23/283

5,185,892	A	2/1993	Mitchell		
5,463,780	A	11/1995	McAllister et al.		
D613,839	S *	4/2010	Hisey	.....	D23/304
D648,839	S *	11/2011	Garrels	.....	D23/304

FOREIGN PATENT DOCUMENTS

DE	4422604	A1	2/1996
JP	1999071922		3/1999
JP	2000217733	A	8/2000

\* cited by examiner

*Primary Examiner* — Robert Delehanty

(74) *Attorney, Agent, or Firm* — Eric L. Lane; McKenna Long & Aldridge LLP

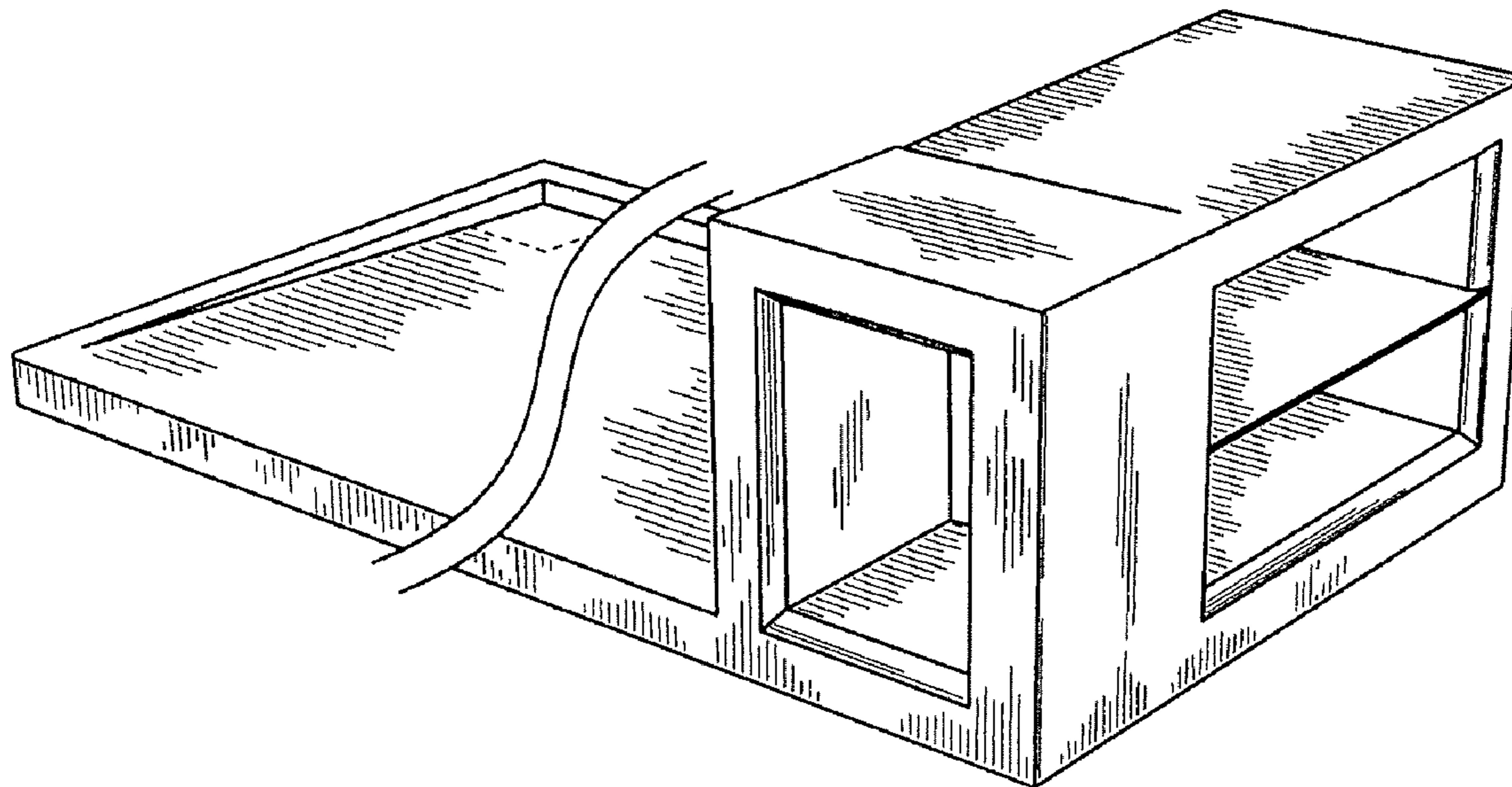
(57) **CLAIM**

The ornamental design for a shower base, as shown and described.

**DESCRIPTION**

FIG. 1 is a rear elevated view of the design.  
 FIG. 2 is a front elevated view of the design.  
 FIG. 3 is a front view of the design.  
 FIG. 4 is a rear view of the design.  
 FIG. 5 is a right side view of the design.  
 FIG. 6 is a left side view of the design; and,  
 FIG. 7 is a top view of the design.  
 The broken line is included in the drawings for the purpose of illustrating a portion of the shower base that forms no part of the claimed design.

**1 Claim, 4 Drawing Sheets**



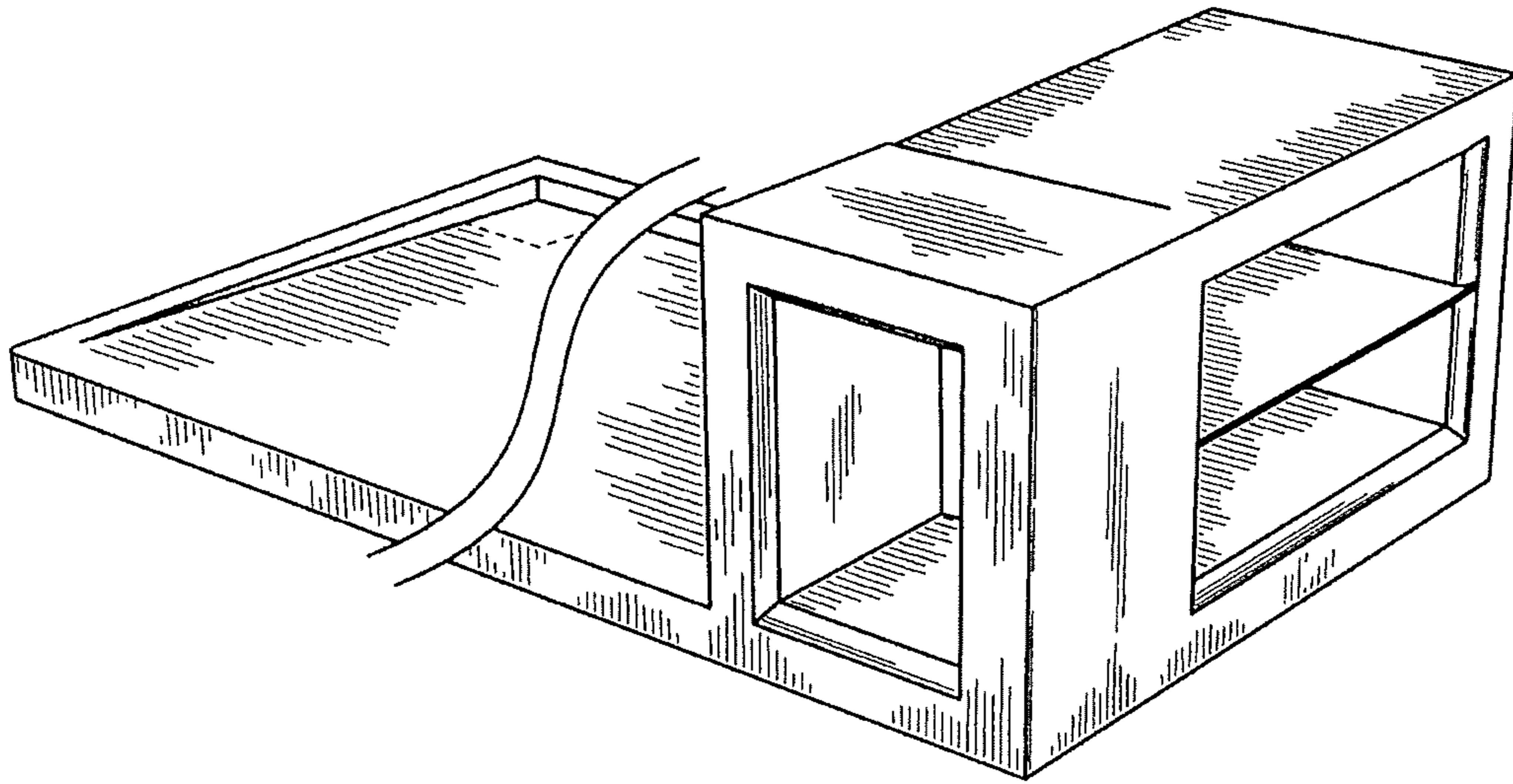


FIG. 1

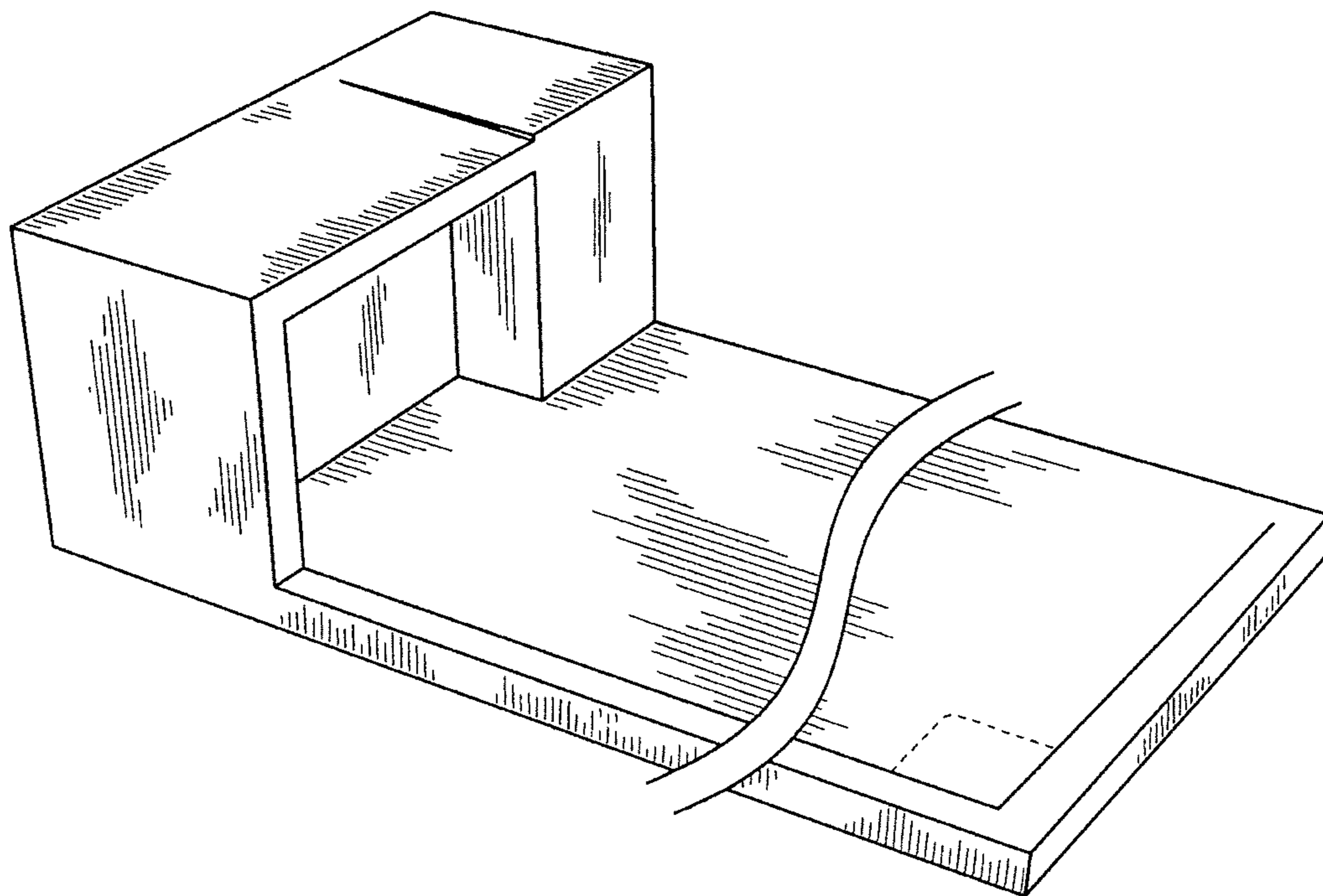


FIG. 2

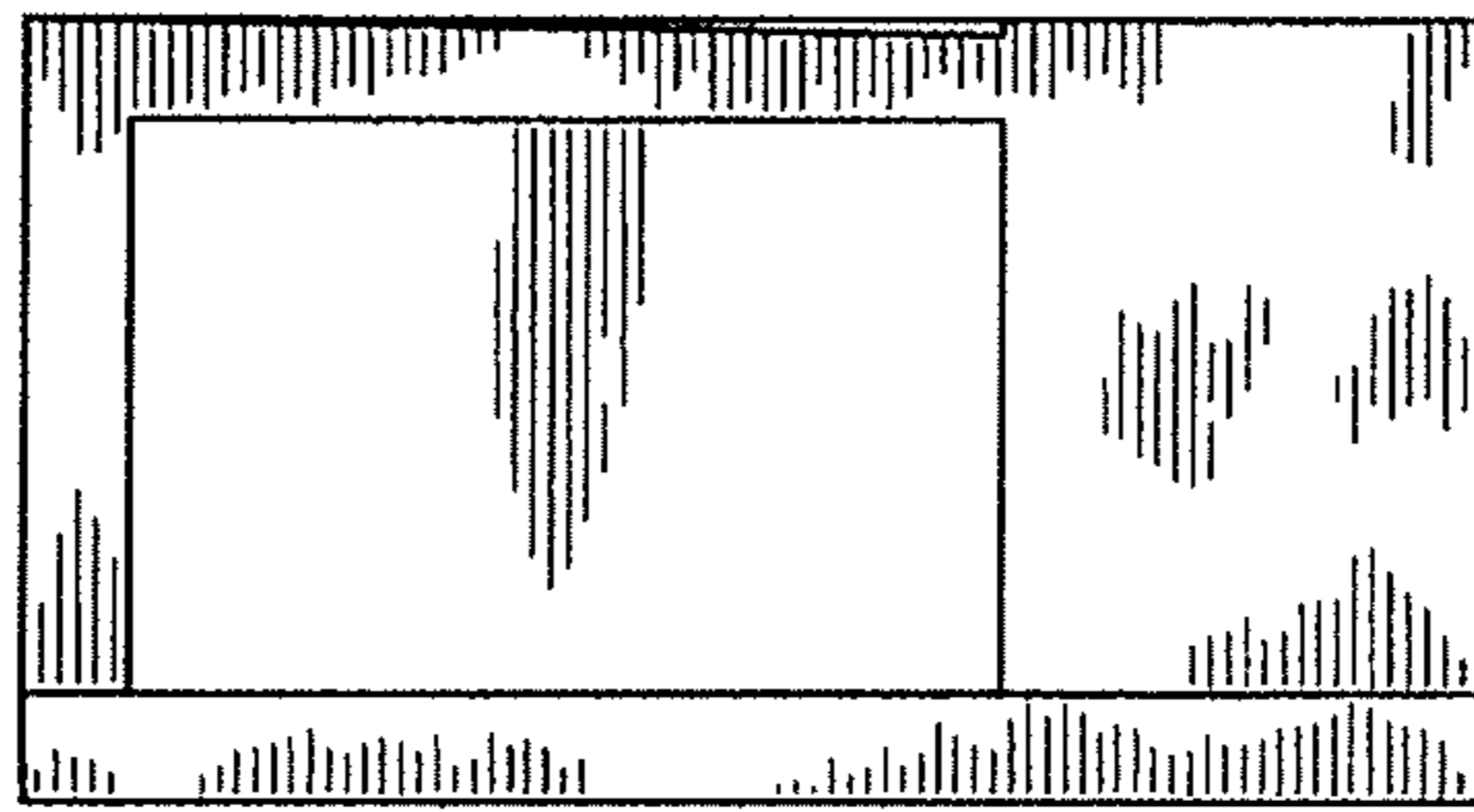


FIG. 3

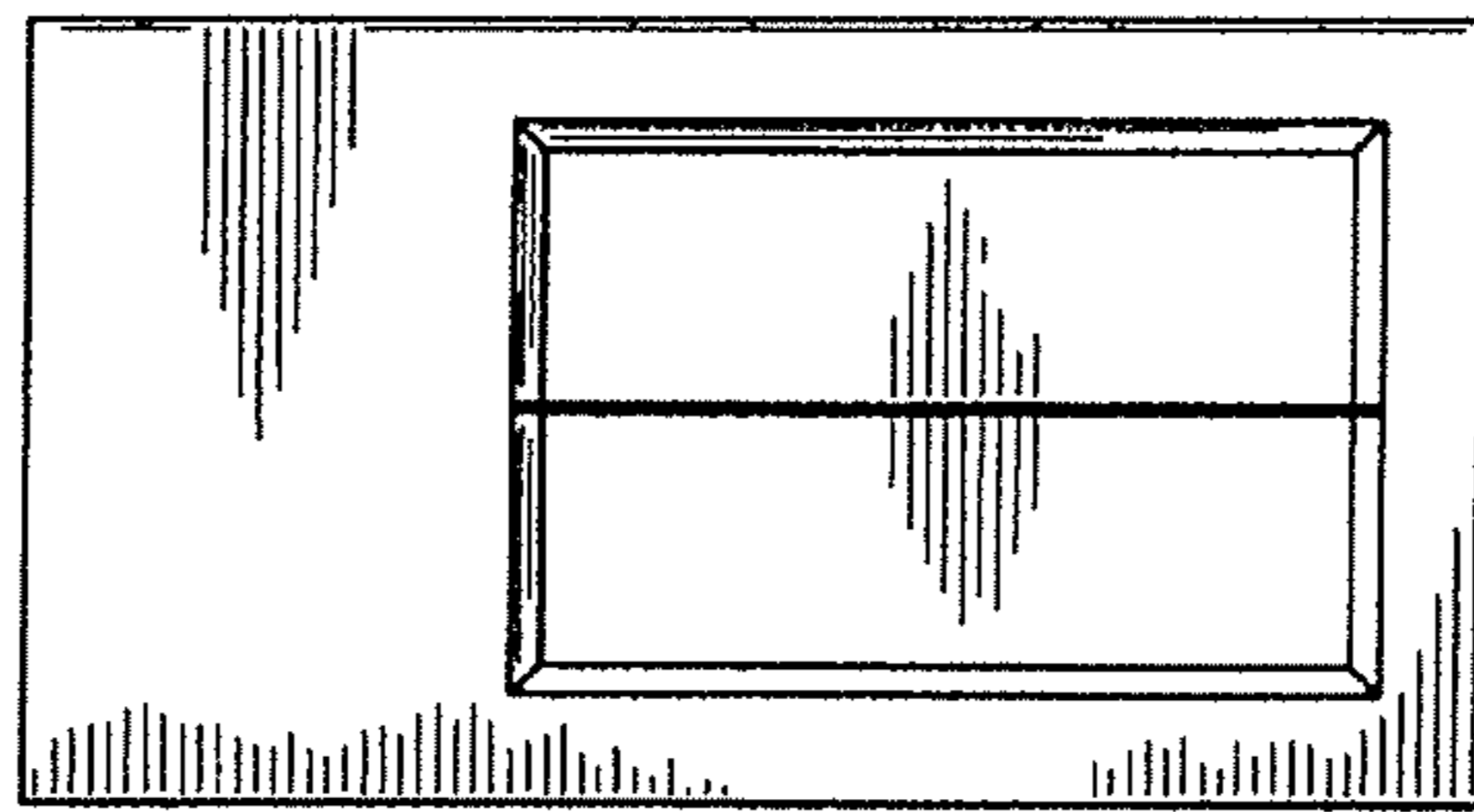


FIG. 4

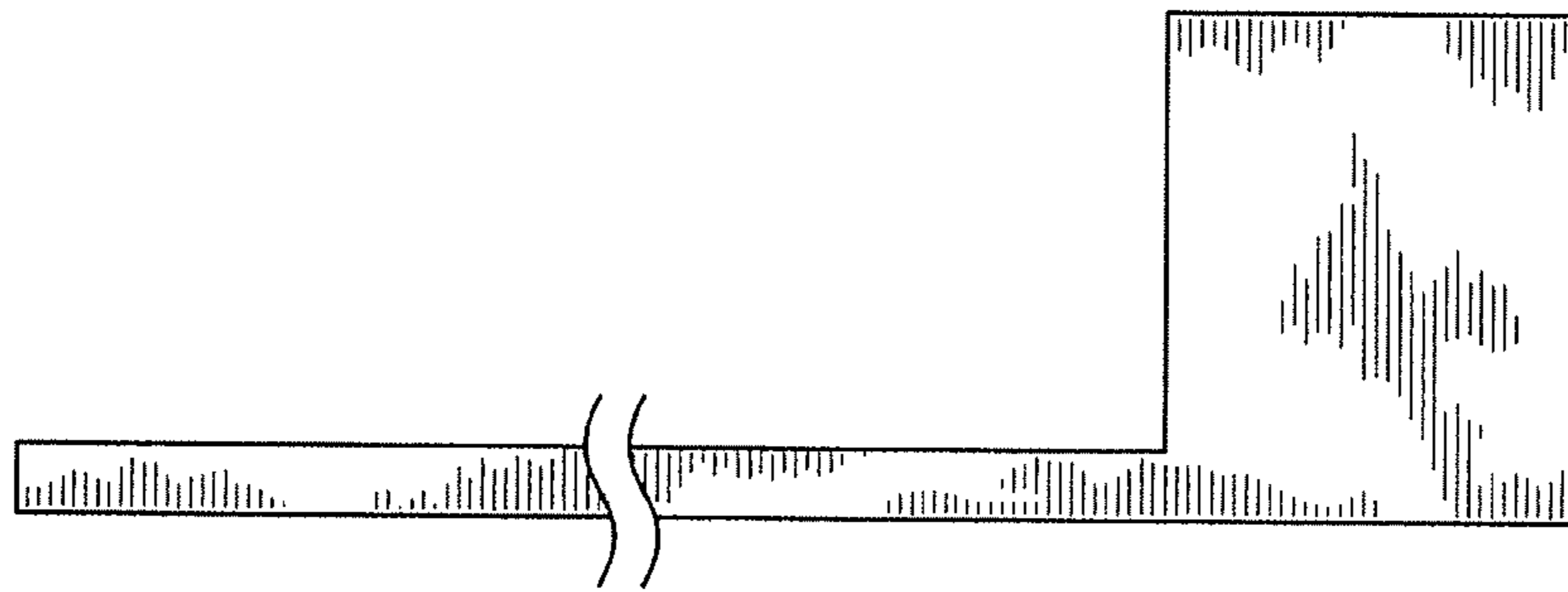


FIG. 5

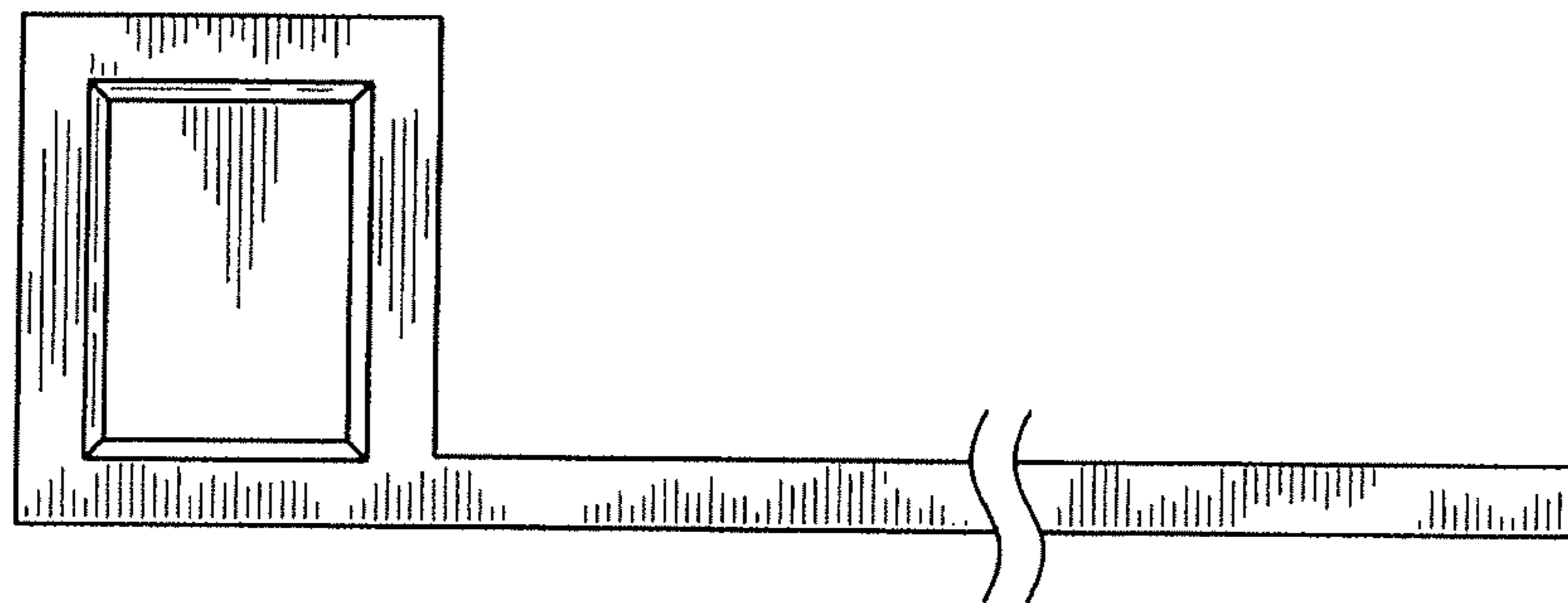


FIG. 6

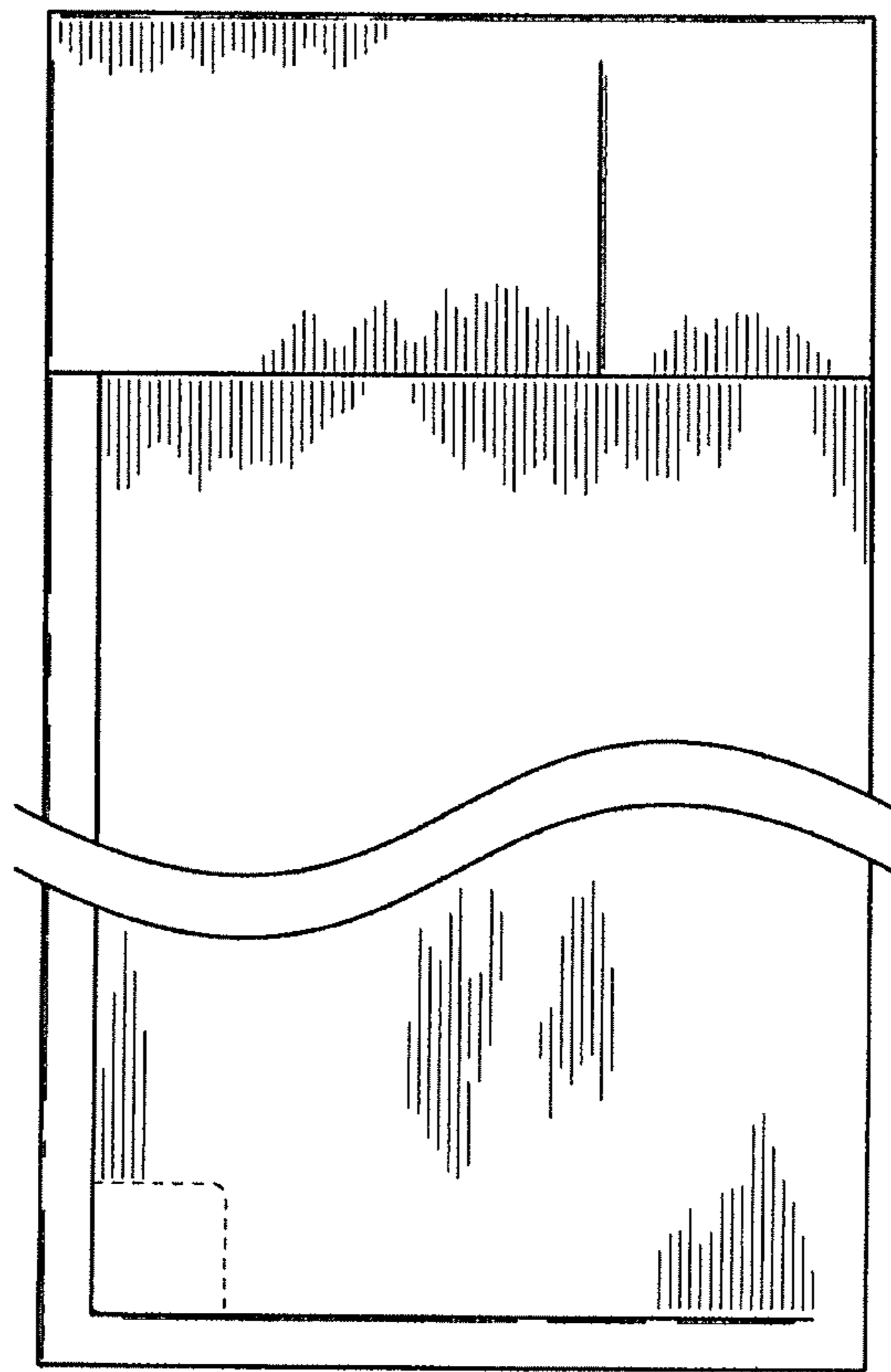


FIG. 7