



US00D681176S

(12) **United States Design Patent**
Chacko

(10) **Patent No.:** **US D681,176 S**
(45) **Date of Patent:** **** Apr. 30, 2013**

- (54) **SEAL RING**
- (75) Inventor: **Shajan V. Chacko**, Joplin, MO (US)
- (73) Assignee: **KMT Waterjet Systems Inc.**, Baxter Springs, KS (US)
- (**) Term: **14 Years**
- (21) Appl. No.: **29/427,143**
- (22) Filed: **Jul. 13, 2012**
- (51) **LOC (9) Cl.** **23-01**
- (52) **U.S. Cl.**
USPC **D23/269**
- (58) **Field of Classification Search** D23/269;
137/516.13-516.27; 251/368; 277/602,
277/608, 625-626; 285/104-105, 337
See application file for complete search history.

D616,966	S	6/2010	Angell	
7,753,376	B2 *	7/2010	Kondo et al.	277/353
D631,142	S	1/2011	Angell	
D631,948	S *	2/2011	Yoshida et al.	D23/269
D638,522	S *	5/2011	Yoshida et al.	D23/269
2009/0206553	A1 *	8/2009	Kanzaki	277/351
2010/0007090	A1 *	1/2010	Kobayashi	277/351

* cited by examiner

Primary Examiner — Eric Goodman

(74) *Attorney, Agent, or Firm* — Michael Best & Friedrich LLP

(57) **CLAIM**

We claim the ornamental design for a seal ring, as shown and described.

DESCRIPTION

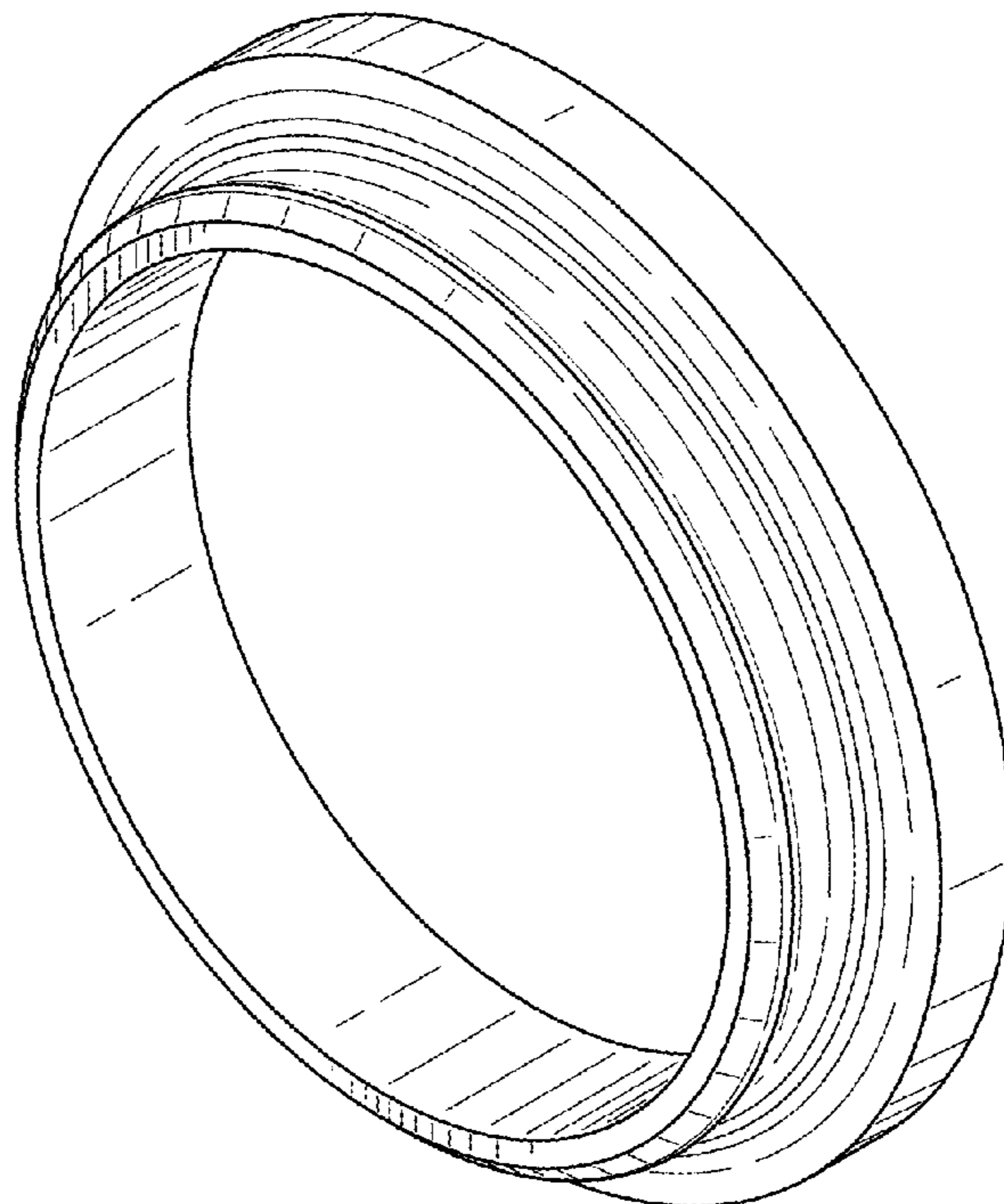
FIG. 1 is a first perspective view of a seal ring embodying the invention;
 FIG. 2 is a second perspective view of the seal ring of FIG. 1;
 FIG. 3 is a front view of the seal ring of FIG. 1;
 FIG. 4 is a rear view of the seal ring of FIG. 1;
 FIG. 5 is a first side view of the seal ring of FIG. 1; and,
 FIG. 6 is a section view of the seal ring of FIG. 1 taken along line 6-6 of FIG. 3 and better illustrating the cross sectional shape of the seal ring of FIG. 1.
 The elements shown in broken lines are included for the purpose of illustrating environment and form no part of the claimed design.

1 Claim, 3 Drawing Sheets

(56) **References Cited**

U.S. PATENT DOCUMENTS

2,259,940	A *	10/1941	Nathan	277/626
2,735,701	A	2/1956	Ecker et al.	
3,379,444	A *	4/1968	Brummer et al.	277/543
4,576,386	A	3/1986	Benson et al.	
D285,247	S *	8/1986	Jornhagen	D23/269
4,934,254	A	6/1990	Clark et al.	
5,472,216	A	12/1995	Albertson et al.	
6,299,176	B1 *	10/2001	Guzowski et al.	277/604
6,302,405	B1	10/2001	Edwards	
6,769,695	B2	8/2004	Stephens	
7,513,536	B2 *	4/2009	Corbett et al.	285/374
7,594,664	B2 *	9/2009	Maskaliunas	277/551



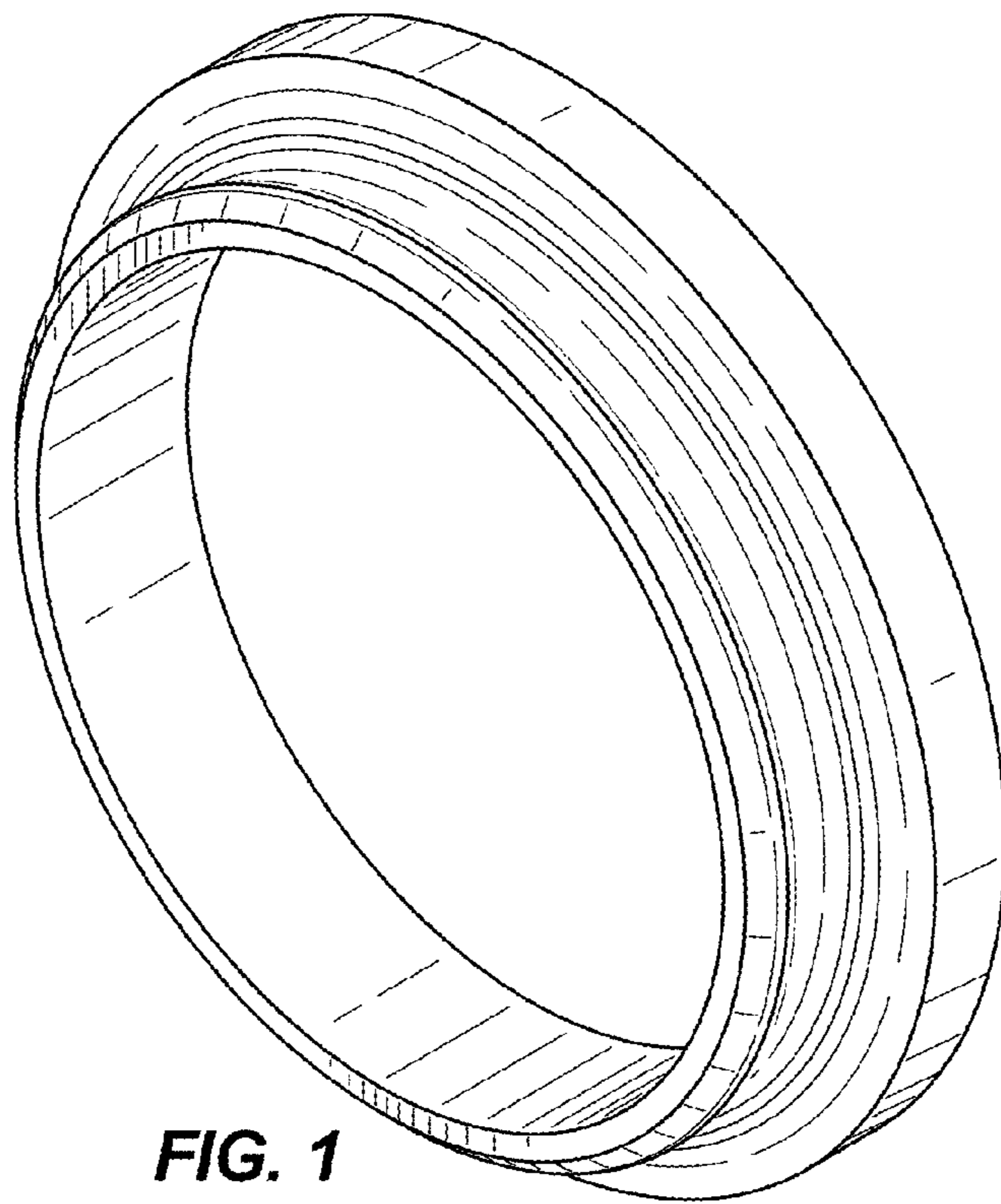


FIG. 1

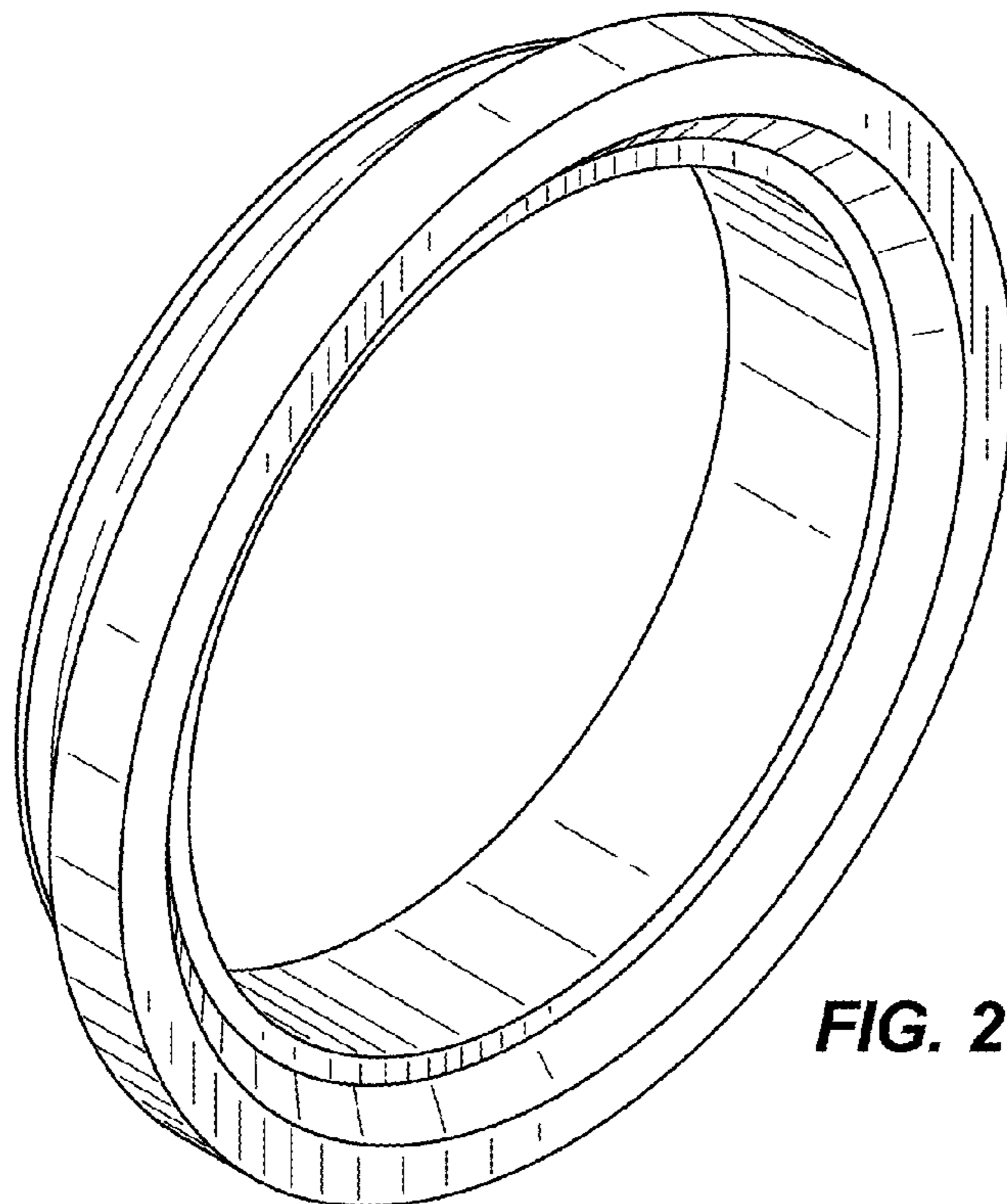


FIG. 2

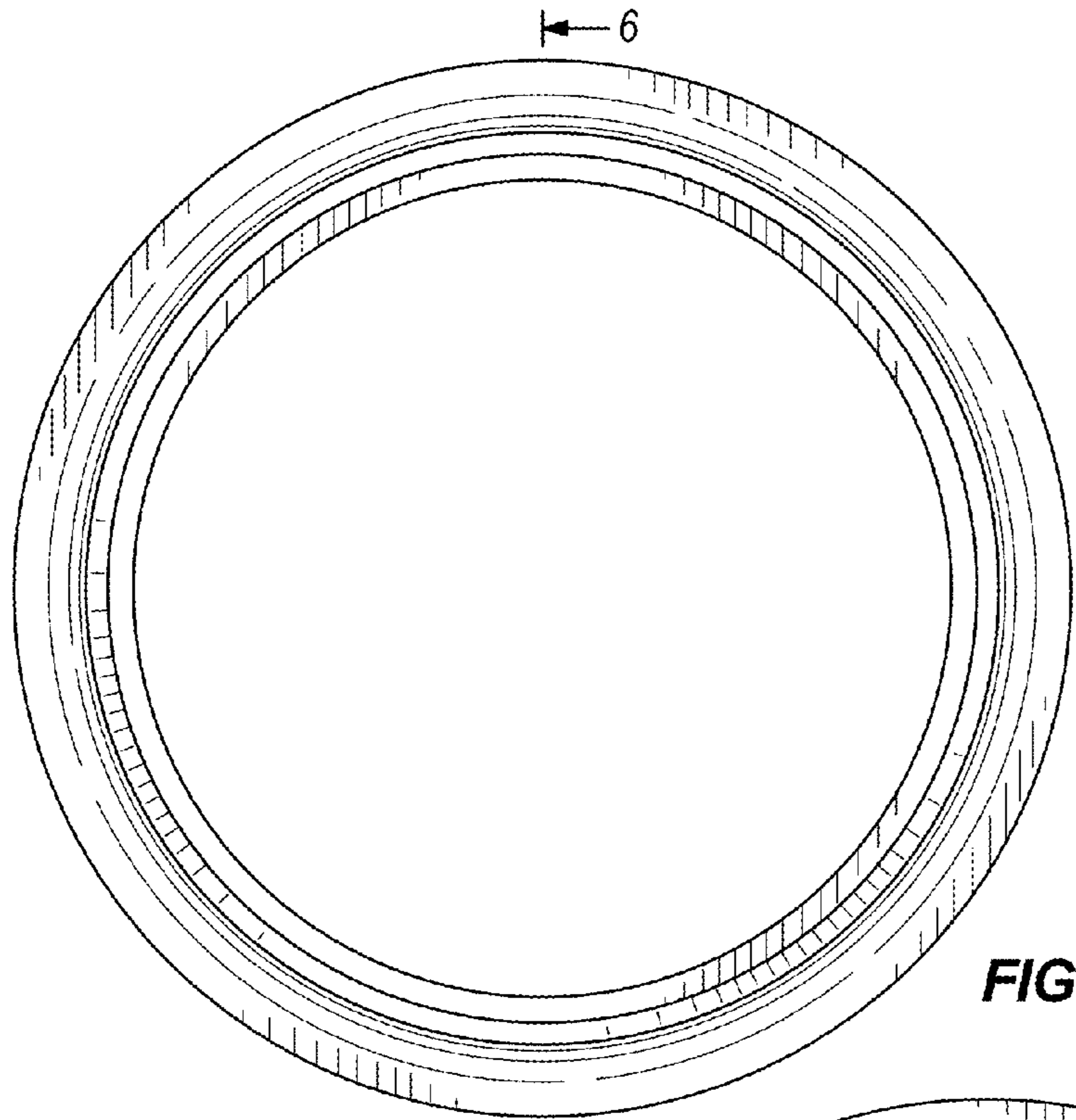


FIG. 3

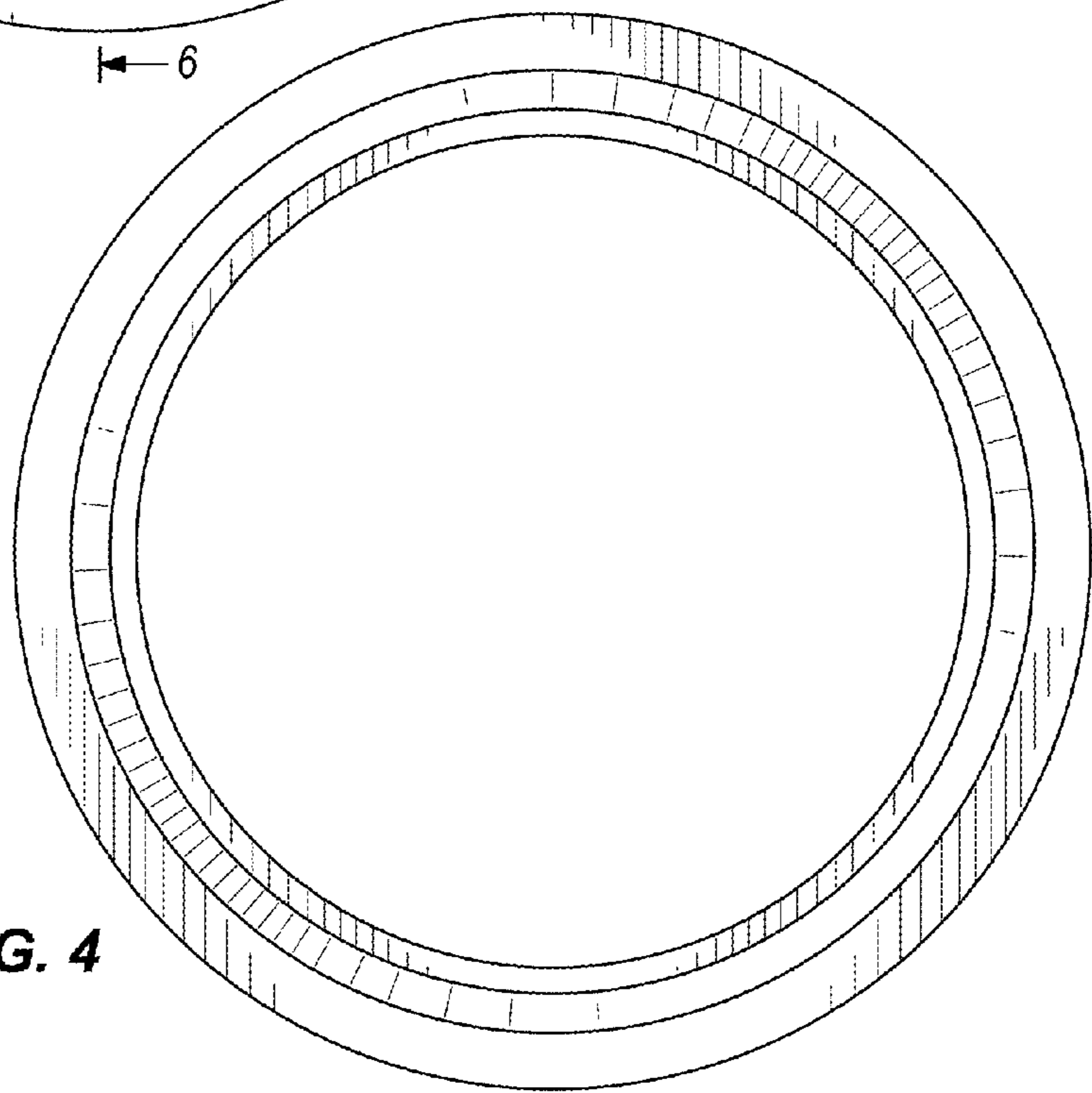


FIG. 4

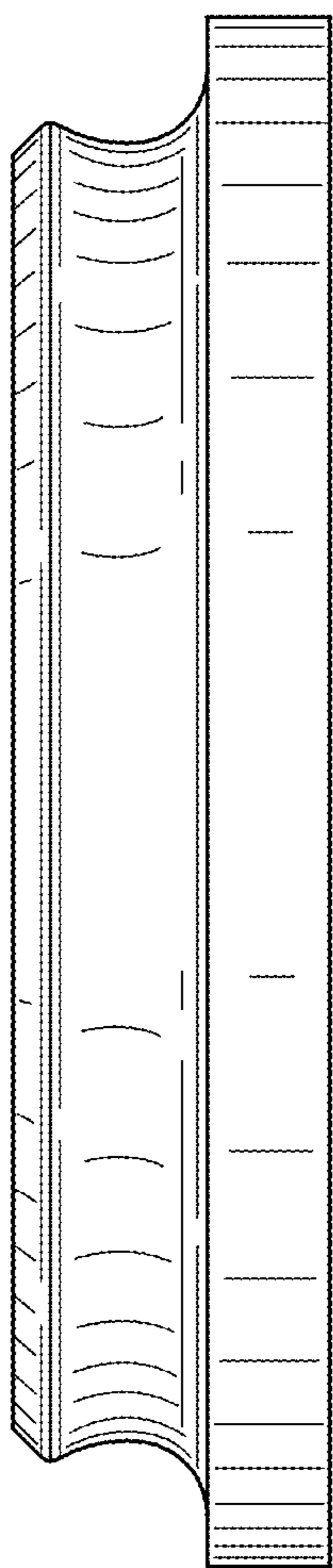


FIG. 5

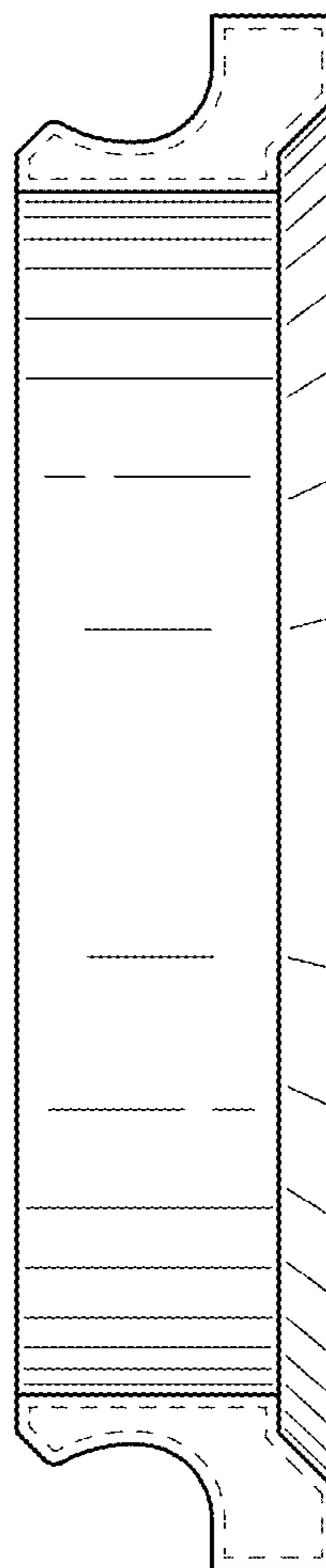


FIG. 6