



US00D681175S

(12) **United States Design Patent**
Evans et al.

(10) **Patent No.:** **US D681,175 S**
(45) **Date of Patent:** **** Apr. 30, 2013**

(54) **FLEXIBLE BUSHING**

(75) Inventors: **James R. Evans**, Harmony, NC (US);
Ward A. Crosier, Statesville, NC (US)

(73) Assignee: **Slade, Inc.**, Statesville, NC (US)

(**) Term: **14 Years**

(21) Appl. No.: **29/373,175**

(22) Filed: **Mar. 11, 2011**

(51) **LOC (9) Cl.** **23-01**

(52) **U.S. Cl.**

USPC **D23/269**

(58) **Field of Classification Search** D23/269;
D34/29; 277/500, 510-512, 345, 543
See application file for complete search history.

(56) **References Cited**

U.S. PATENT DOCUMENTS

D50,389	S	*	2/1917	Joslin	D23/269
D51,579	S	*	12/1917	Beynon	D23/269
1,656,628	A	*	1/1928	Gits	474/238
3,055,669	A	*	9/1962	Knoebel	277/478
3,695,622	A	*	10/1972	Davis et al.	277/435
3,768,818	A	*	10/1973	Minegishi	267/1.5
5,013,053	A	*	5/1991	Champlin	277/516
5,407,213	A	*	4/1995	Ouchi et al.	277/317
D427,741	S	*	7/2000	Dohr	D34/29
6,126,170	A	*	10/2000	Weehunt	277/510
6,367,809	B1	*	4/2002	Weehunt	277/510
6,651,988	B2	*	11/2003	Terpay et al.	277/560
D555,328	S	*	11/2007	Gilbert-Biro et al.	D2/624
7,744,474	B2	*	6/2010	Valovick	464/162
7,748,689	B2	*	7/2010	Thibault et al.	267/140.12
D636,817	S	*	4/2011	Elder	D19/62
2007/0034465	A1	*	2/2007	Thompson et al.	188/322.16
2012/0228832	A1	*	9/2012	Evans et al.	277/500

* cited by examiner

Primary Examiner — Eric Goodman

(74) *Attorney, Agent, or Firm* — Ralph H. Dougherty

(57) **CLAIM**

The ornamental design for a flexible bushing, or the like, as shown and described.

DESCRIPTION

FIG. 1 is a perspective view of the invented flexible bushing or the like showing the new design;
 FIG. 2 is a bottom view thereof;
 FIG. 3 is a front view thereof;
 FIG. 4 is a top view thereof;
 FIG. 5 is a rear view thereof;
 FIG. 6 is a left end thereof; and
 FIG. 7 is a right end view thereof.
 FIG. 8 is a perspective view of an alternative embodiment of the new design for a flexible bushing.
 FIG. 9 is a top view thereof;
 FIG. 10 is a front view thereof;
 FIG. 11 is a bottom view thereof;
 FIG. 12 is a rear view thereof.
 FIG. 13 is a left end thereof; and
 FIG. 14 is a right end view thereof; and,
 FIG. 15 is a perspective view of the invented flexible bushing of FIG. 8 installed about a shaft. The other embodiment is installed in a similar manner.
 Material in dotted lines shows the environment in which the invented design is used, and forms no part of the invented design.

1 Claim, 5 Drawing Sheets

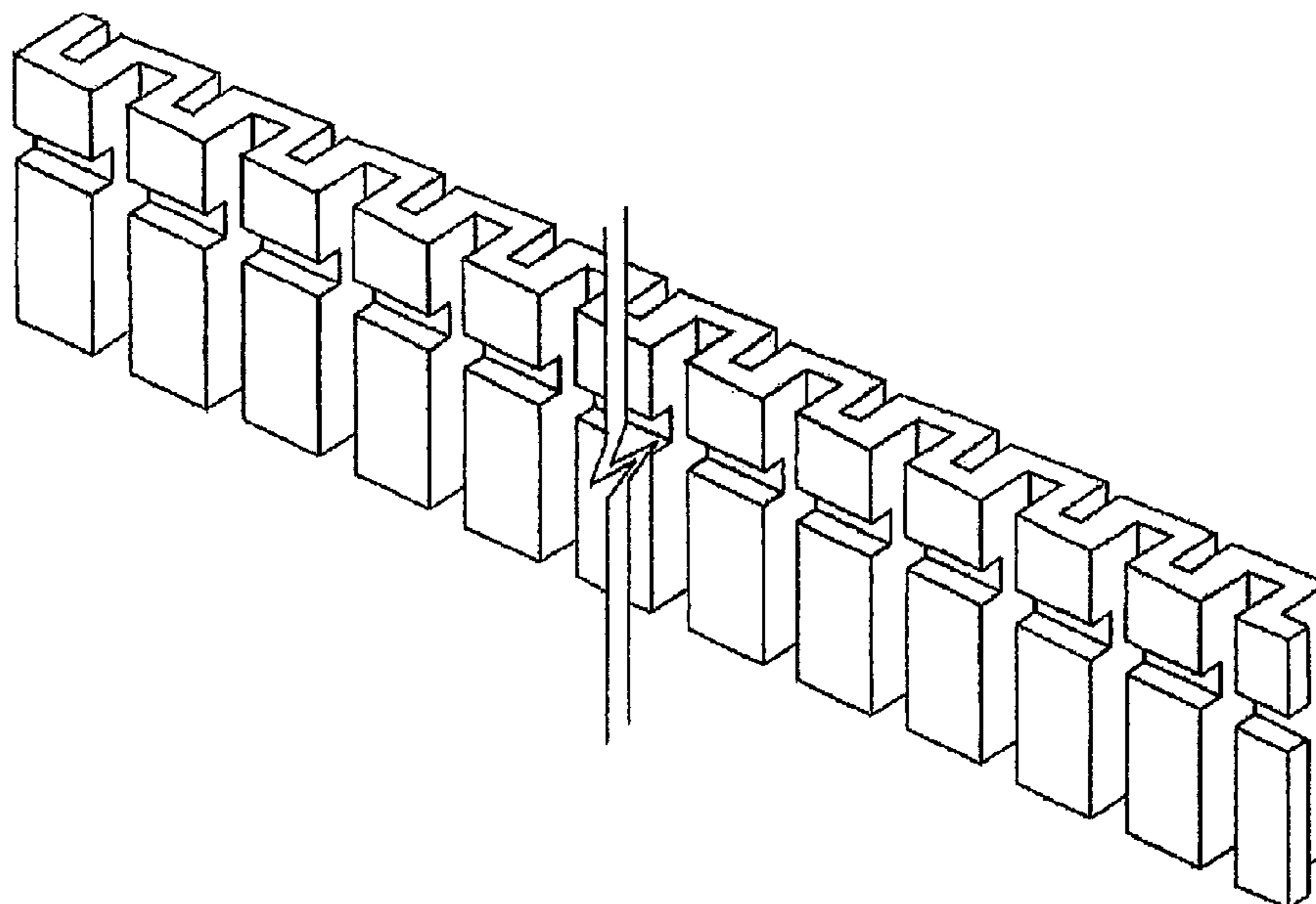
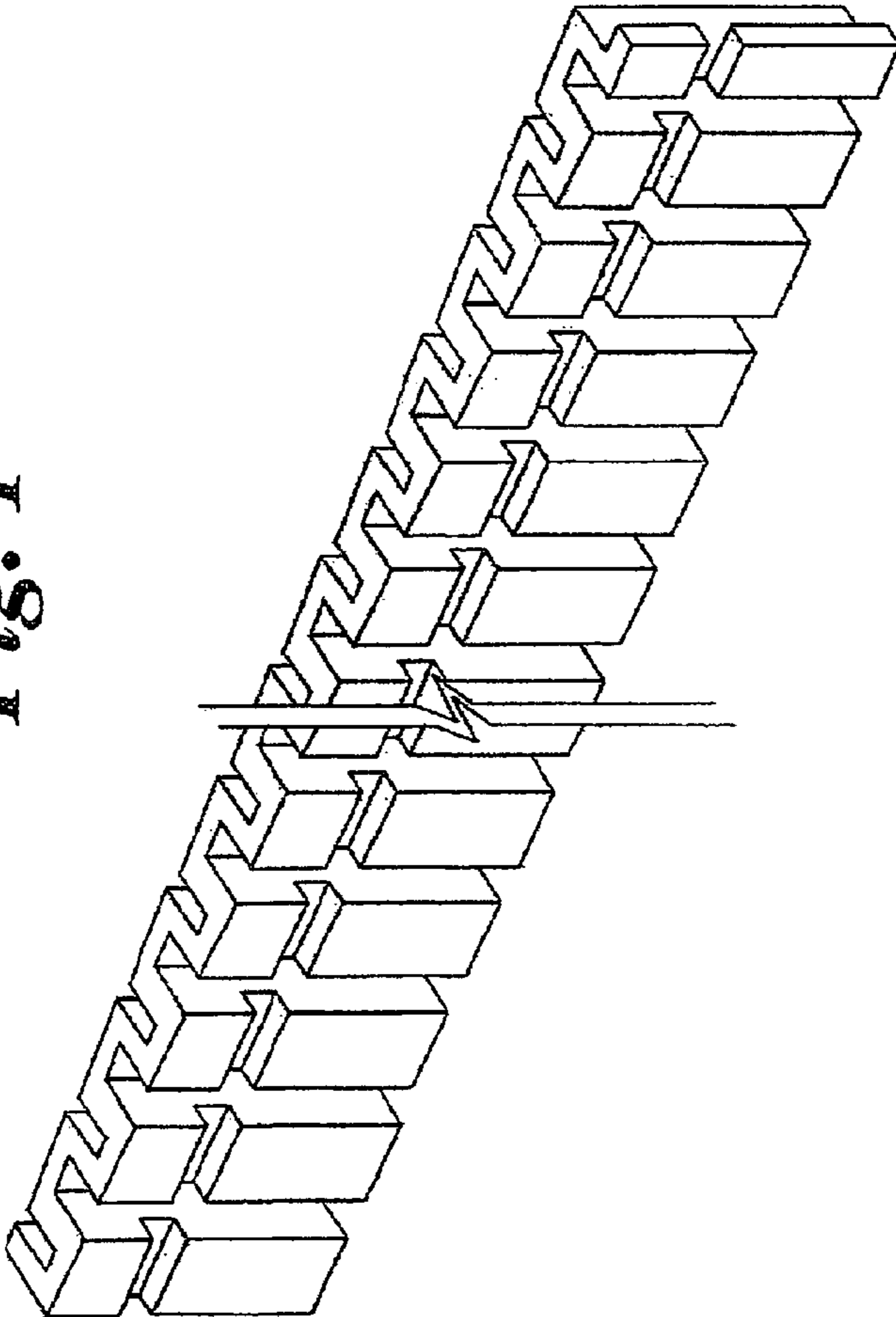


Fig. 1



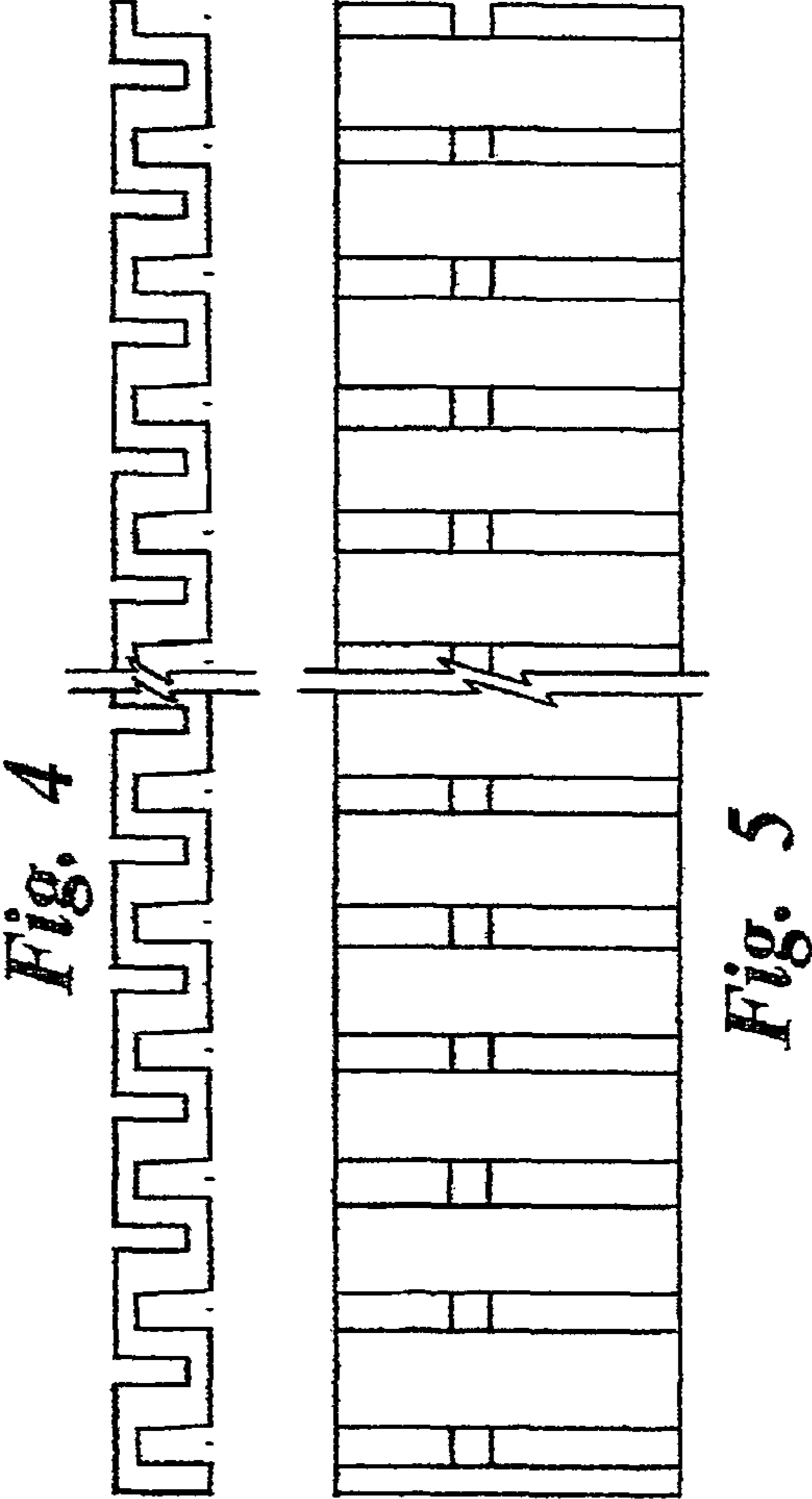
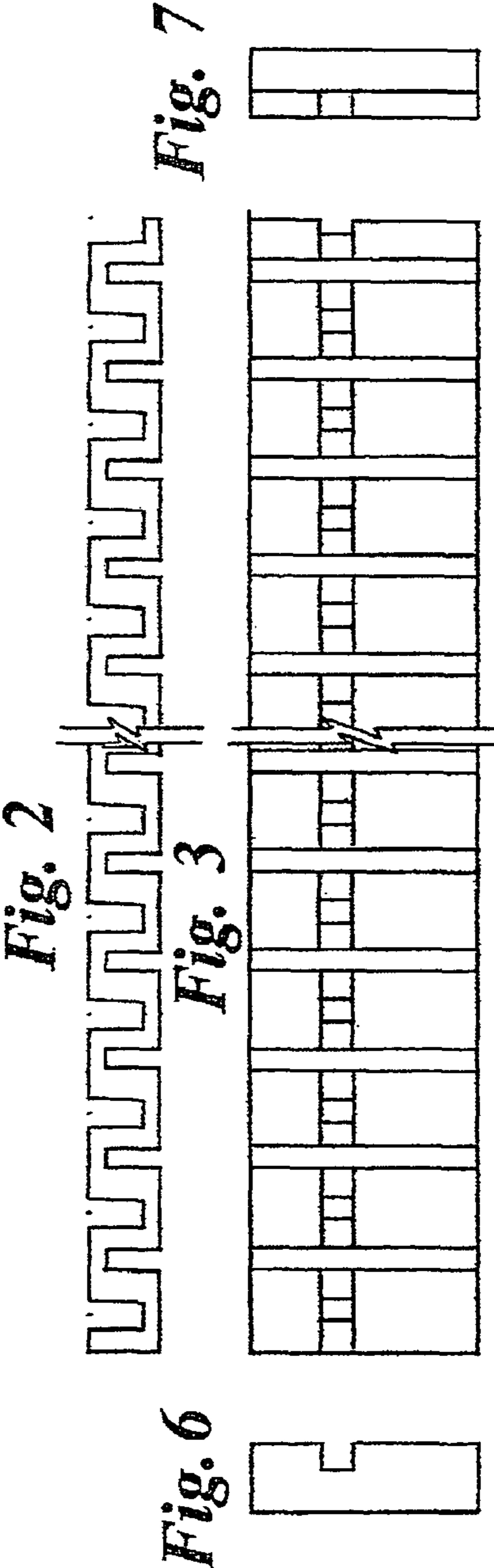
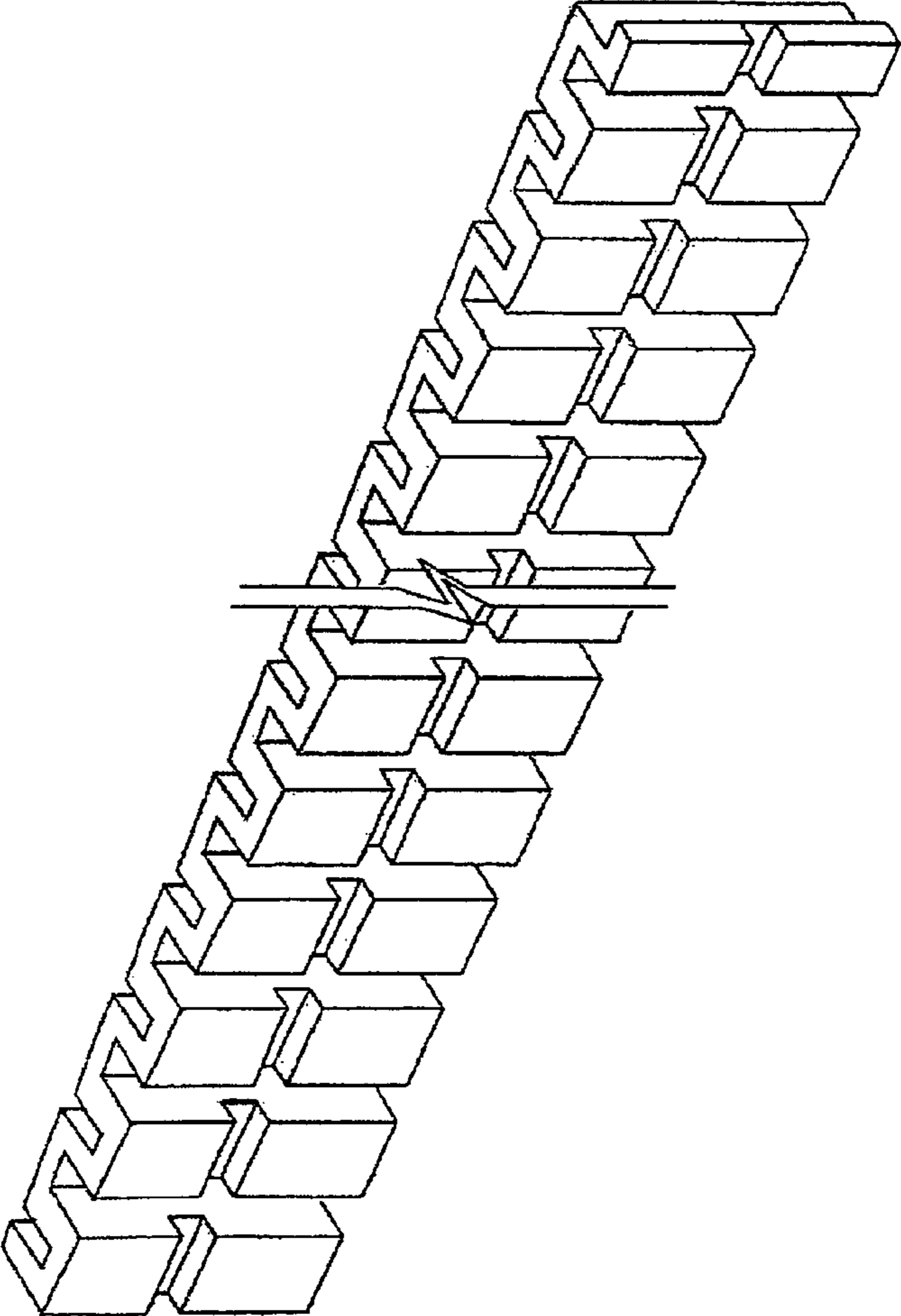


Fig. 8



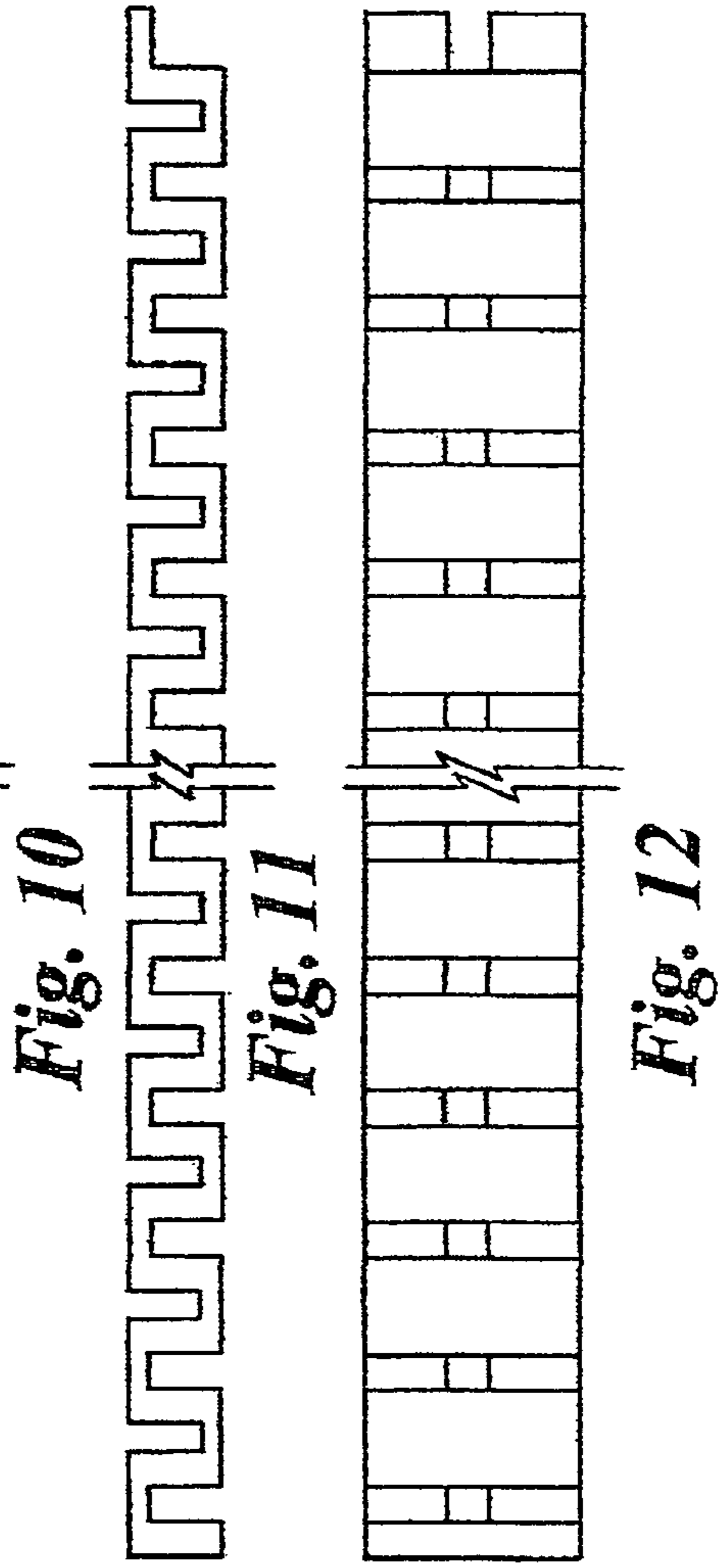
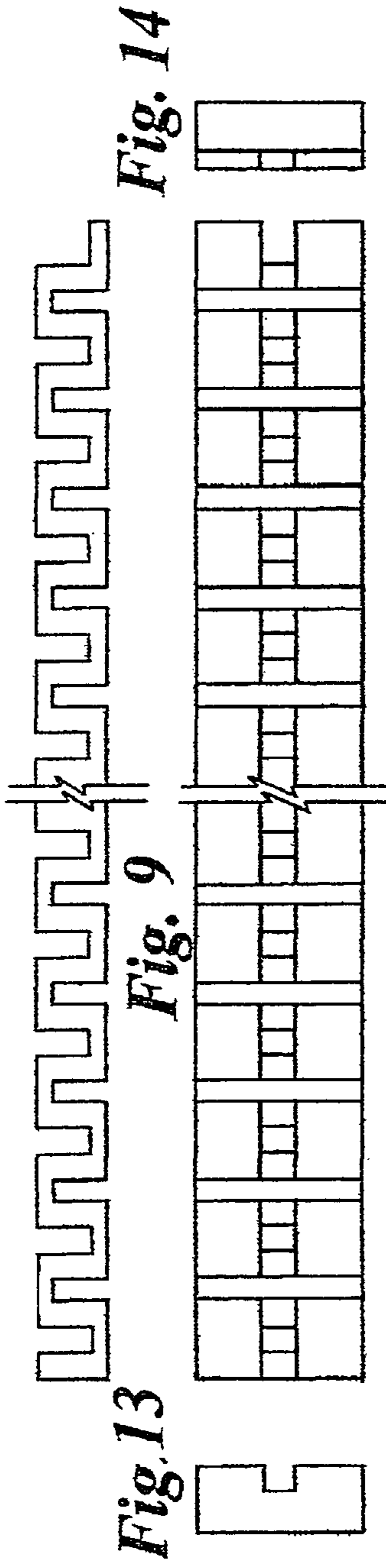


Fig. 15

