



US00D681173S

(12) **United States Design Patent**
Flowers et al.

(10) **Patent No.:** **US D681,173 S**
(45) **Date of Patent:** **** Apr. 30, 2013**

(54) **VALVE**

D451,173 S * 11/2001 Gottwald D23/254

(75) Inventors: **Paul Flowers**, Duesseldorf (DE); **Jochen Allard**, Menden (DE)

* cited by examiner

(73) Assignee: **Grohe AG**, Hemer (DE)

Primary Examiner — Robert Delehanty

(**) Term: **14 Years**

(74) *Attorney, Agent, or Firm* — Muncy, Geissler, Olds & Lowe, PLLC

(21) Appl. No.: **29/388,326**

(57) **CLAIM**

The ornamental design for a valve, as shown and described.

(22) Filed: **Mar. 28, 2011**

DESCRIPTION

(51) **LOC (9) Cl.** **23-01**

FIG. 1 is a left side elevational view of the valve of the present invention, the right side elevational view being a mirror image thereof.

(52) **U.S. Cl.**

USPC **D23/253**

FIG. 2 is a front elevational view of the valve of FIG. 1.

(58) **Field of Classification Search** D23/250,
D23/252–254, 238–243; D8/250–253; 137/359,
137/801; 4/675–678

FIG. 3 is a rear elevation view of the valve of FIG. 1.

See application file for complete search history.

FIG. 4 is a top plan view of the valve of FIG. 1.

FIG. 5 is a bottom plan view of the valve of FIG. 1; and,

FIG. 6 is a three-quarter view of the valve of FIG. 1.

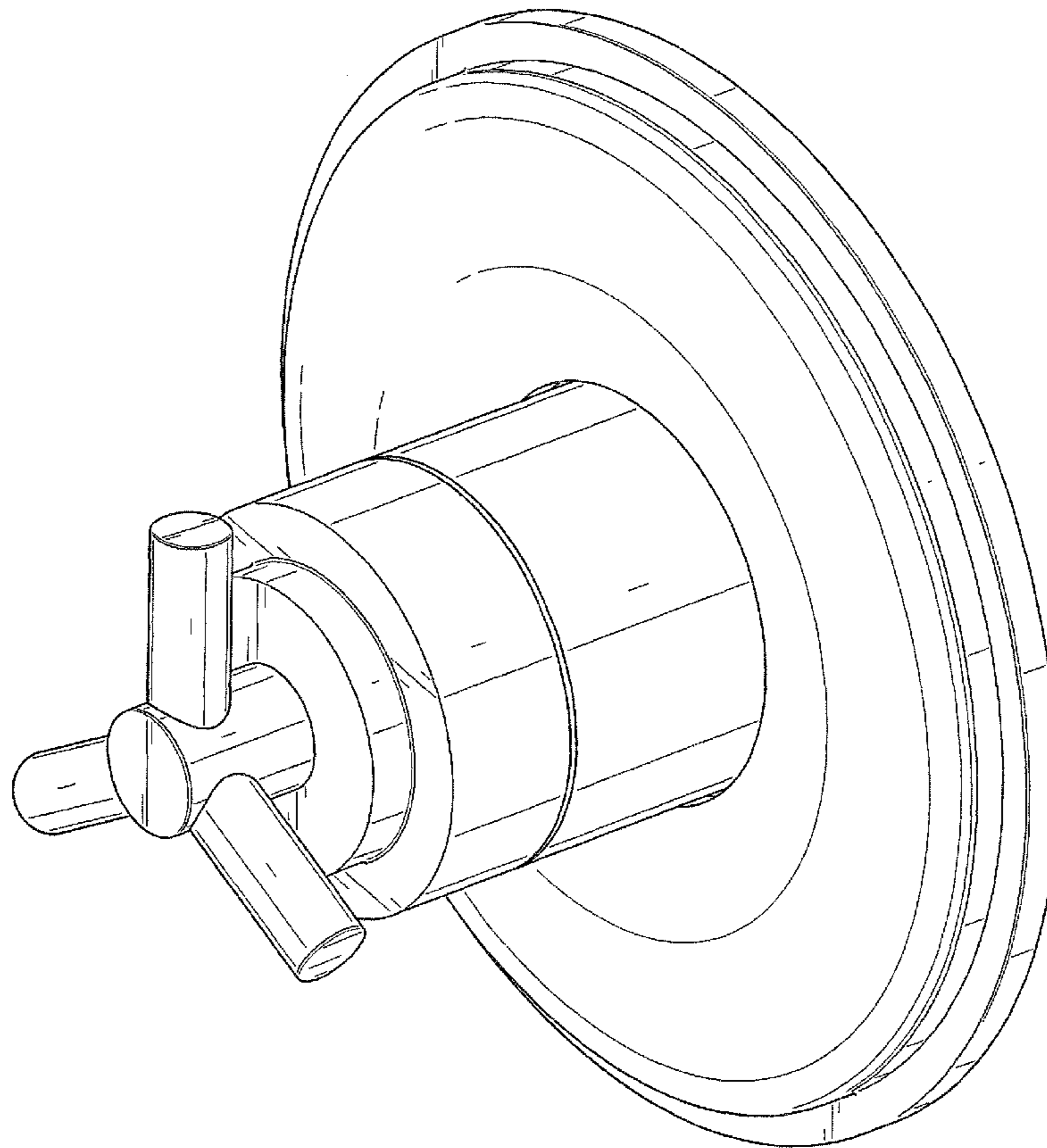
The dashed lines illustrate environment that does not form a part of the present invention, and no claim is made to the material illustrated with dashed lines.

(56) **References Cited**

U.S. PATENT DOCUMENTS

D450,809 S * 11/2001 Gottwald D23/254

1 Claim, 6 Drawing Sheets



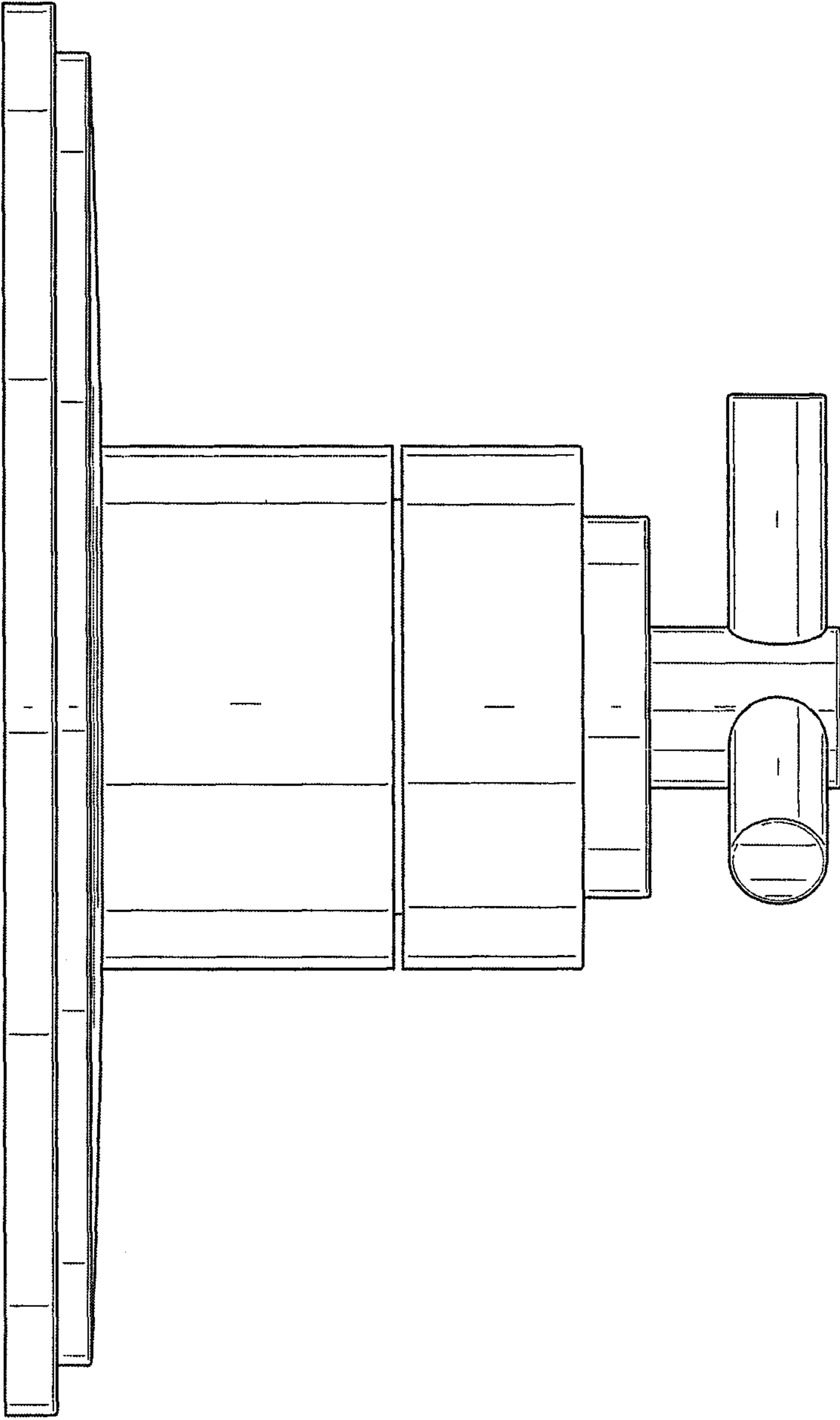


FIG. 1

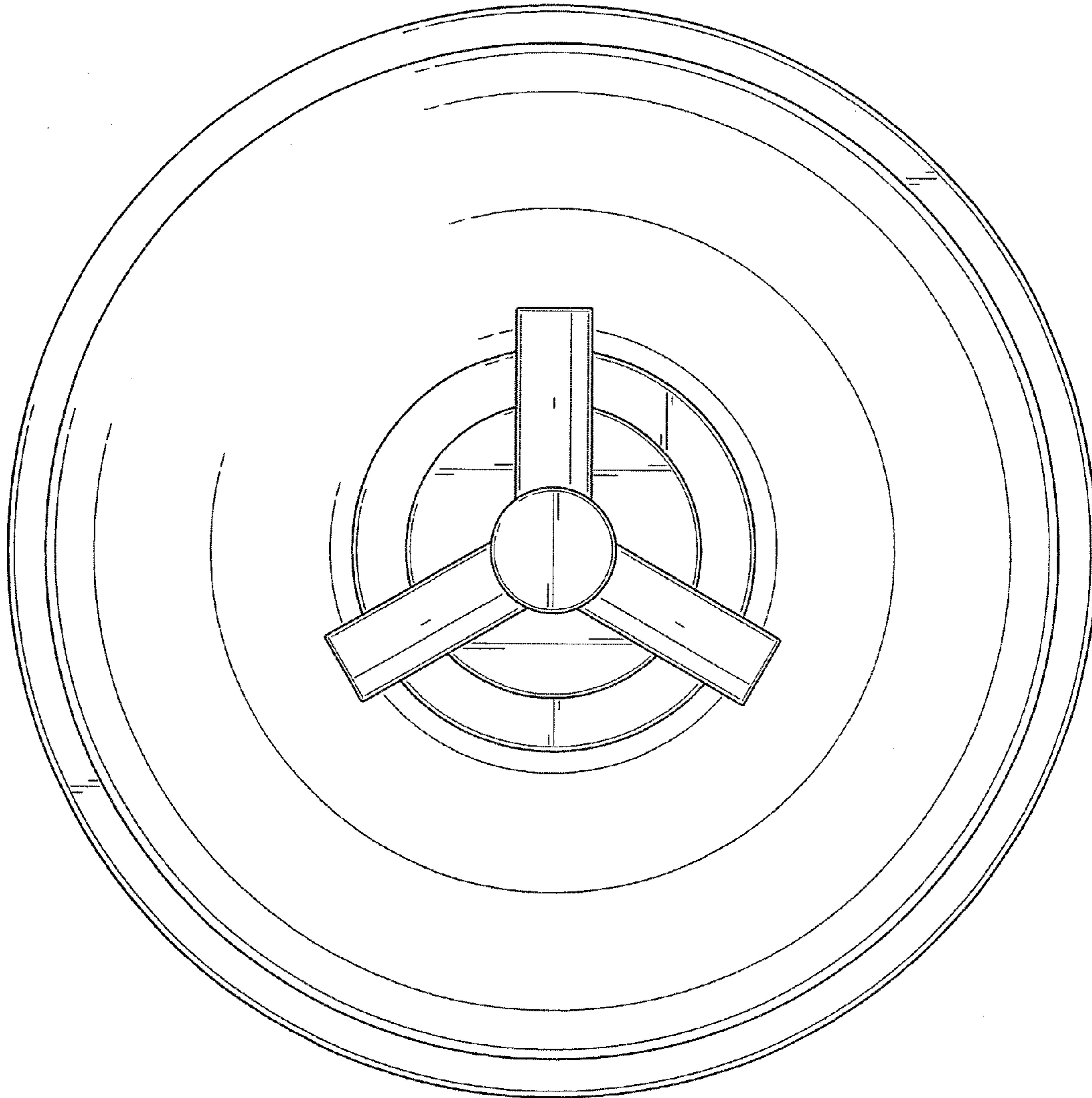


FIG. 2

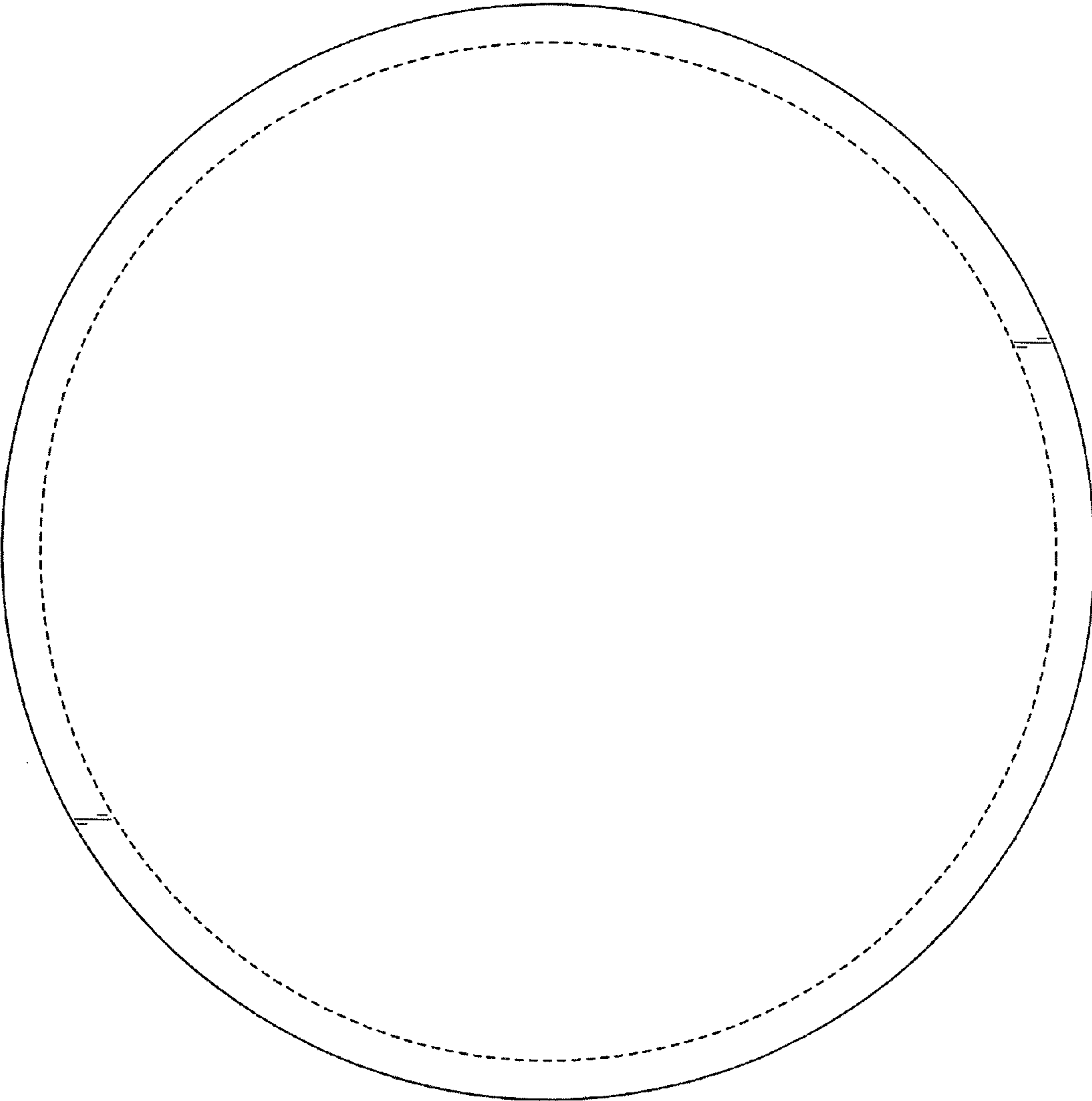


FIG. 3

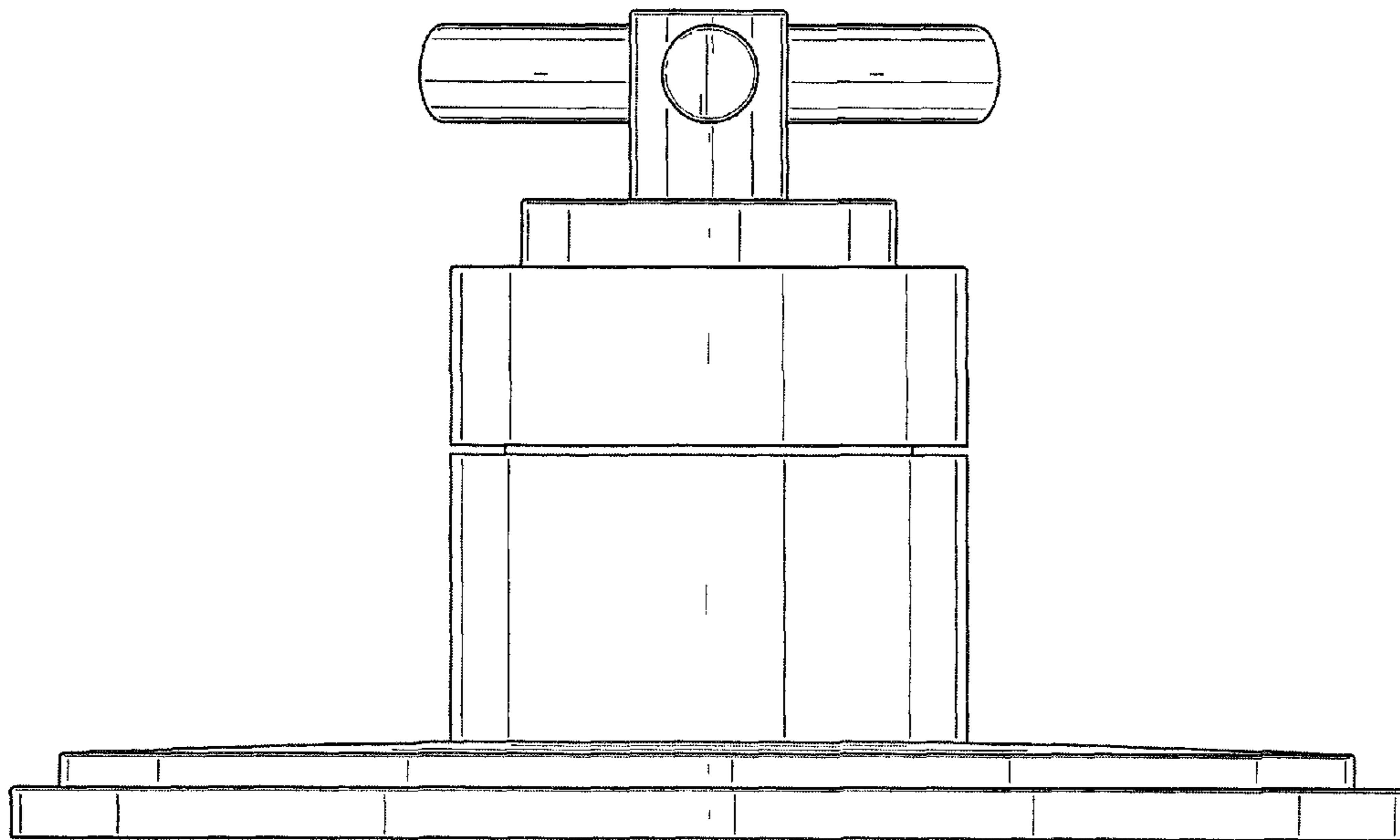


FIG. 4

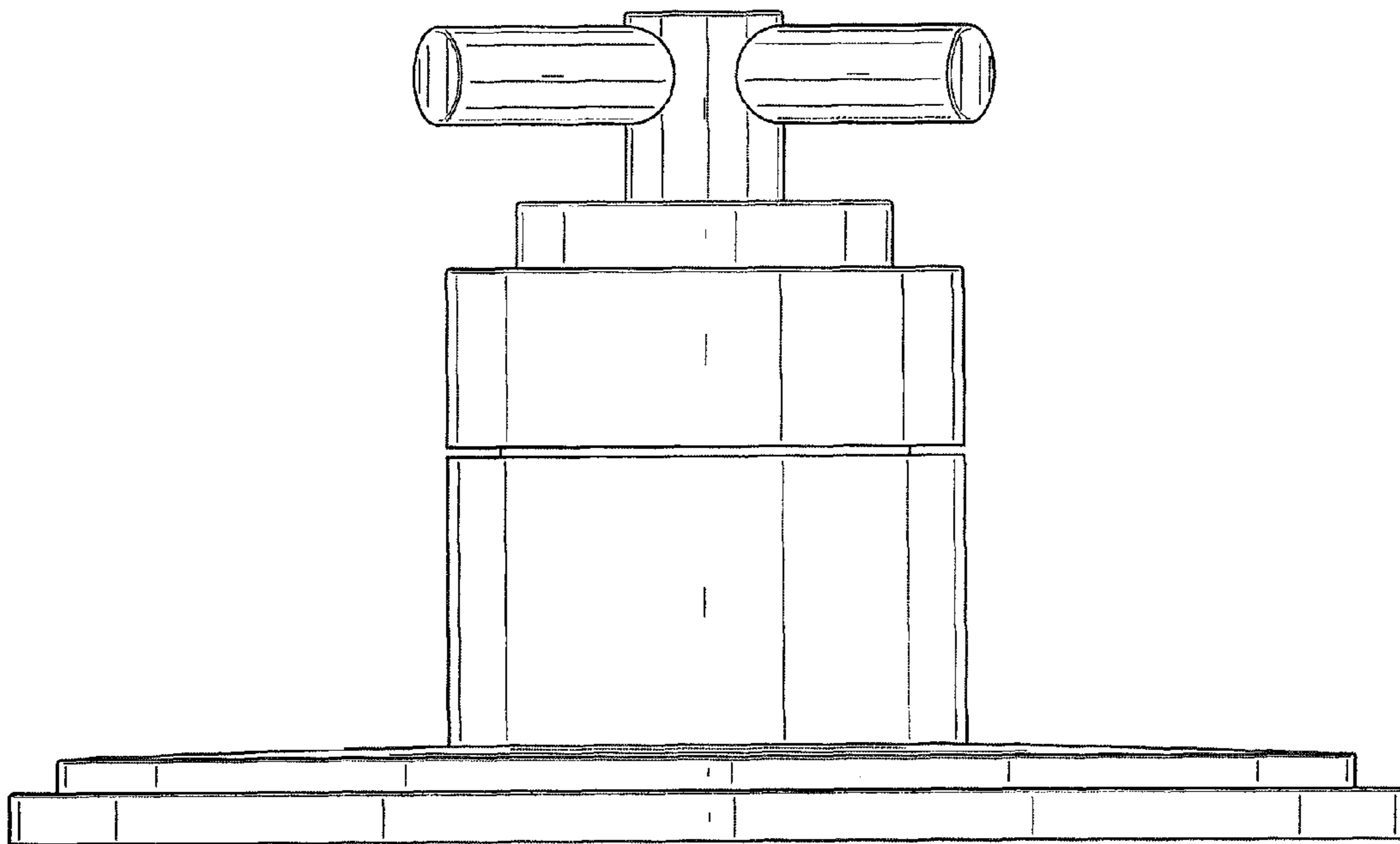


FIG. 5

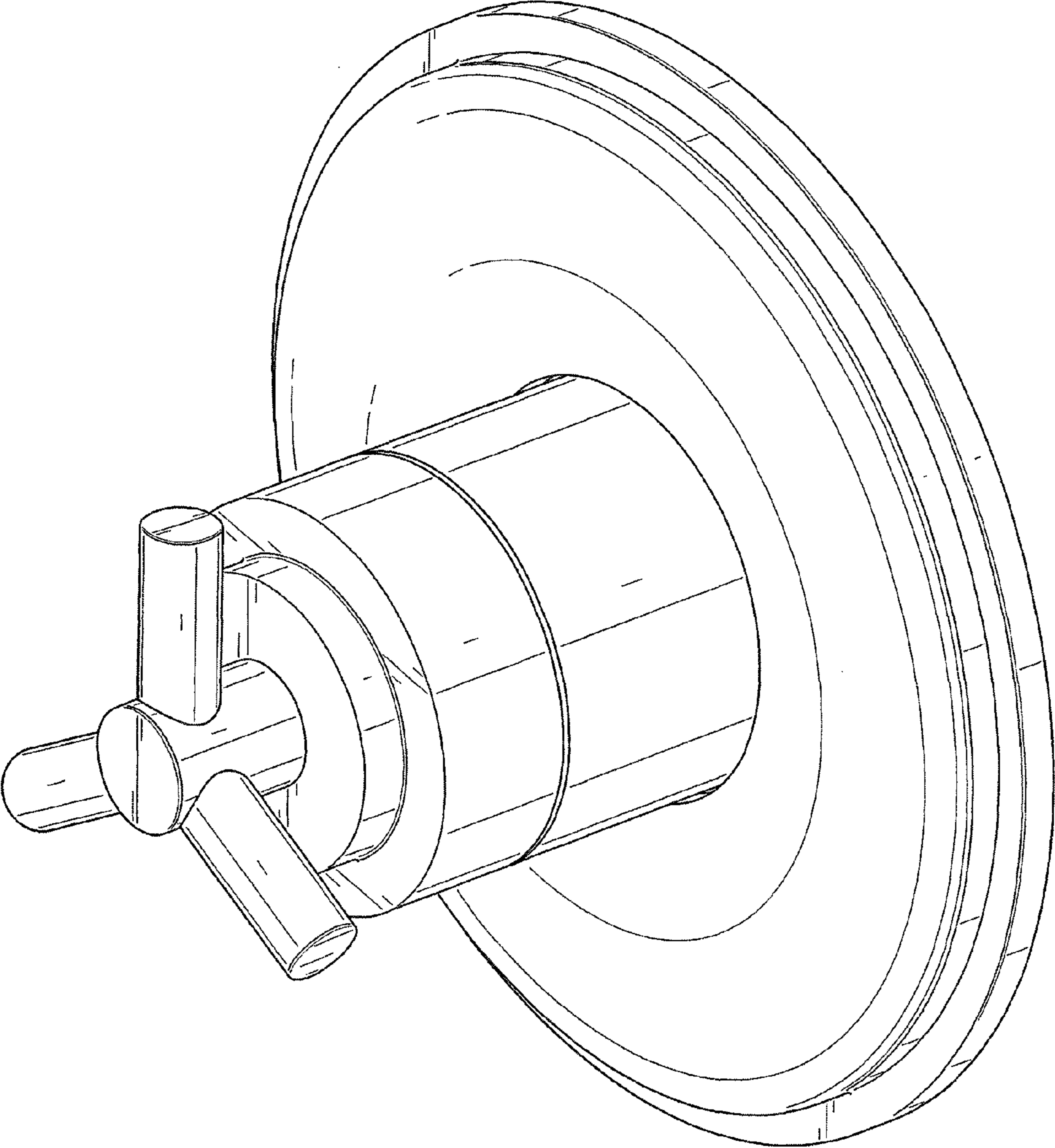


FIG. 6