



US00D681172S

(12) **United States Design Patent**
Fujita

(10) **Patent No.:** **US D681,172 S**
(45) **Date of Patent:** **** Apr. 30, 2013**

(54) **AUTOMATIC DRAIN VALVE**

(75) Inventor: **Tomoyuki Fujita**, Ono (JP)

(73) Assignee: **TLV Co., Ltd.**, Hyogo (JP)

(**) Term: **14 Years**

(21) Appl. No.: **29/367,386**

(22) Filed: **Aug. 6, 2010**

(30) **Foreign Application Priority Data**

May 14, 2010 (JP) 2010-011849

(51) **LOC (9) Cl.** **23-01**

(52) **U.S. Cl.**
USPC **D23/248; D23/235**

(58) **Field of Classification Search** D23/233–237,
D23/244–249, 259–269, 310; 417/109, 110,
417/112, 113, 115–117, 283, 296, 307, 308,
417/434, 454

See application file for complete search history.

(56) **References Cited**

U.S. PATENT DOCUMENTS

D35,536 S * 12/1901 Radcliffe D23/268
D108,628 S * 3/1938 Ritter D23/268

D112,675 S * 12/1938 Bittner et al. D23/264
D501,533 S * 2/2005 Robinson et al. D23/209
D654,572 S * 2/2012 Chiles D23/260

FOREIGN PATENT DOCUMENTS

JP D0676087 S 4/1986
JP D1232380 S 1/2011

* cited by examiner

Primary Examiner — Garth Rademaker

(74) *Attorney, Agent, or Firm* — The Webb Law Firm

(57) **CLAIM**

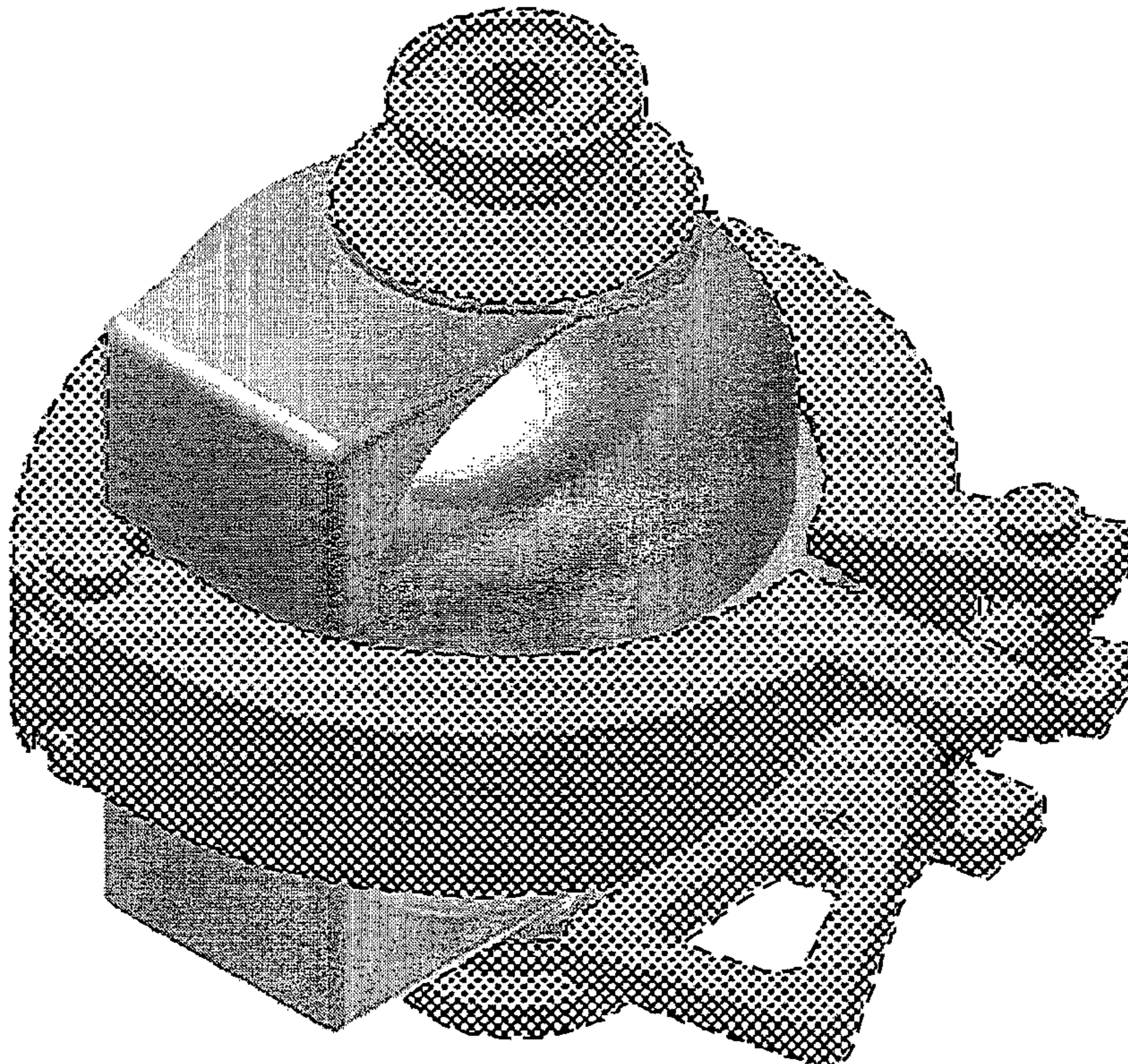
The ornamental design for an automatic drain valve, as shown and described.

DESCRIPTION

FIG. 1 is a front view of an automatic drain valve in accordance with my new design;
FIG. 2 is a rear view thereof;
FIG. 3 is a left side view thereof;
FIG. 4 is a right side view thereof;
FIG. 5 is a top plan view thereof;
FIG. 6 is a bottom view thereof; and,
FIG. 7 is a perspective view thereof.

The portions of the automatic drain valve shown in coarse dot pattern and outlined in dashed lines form no part of the claimed design.

1 Claim, 7 Drawing Sheets



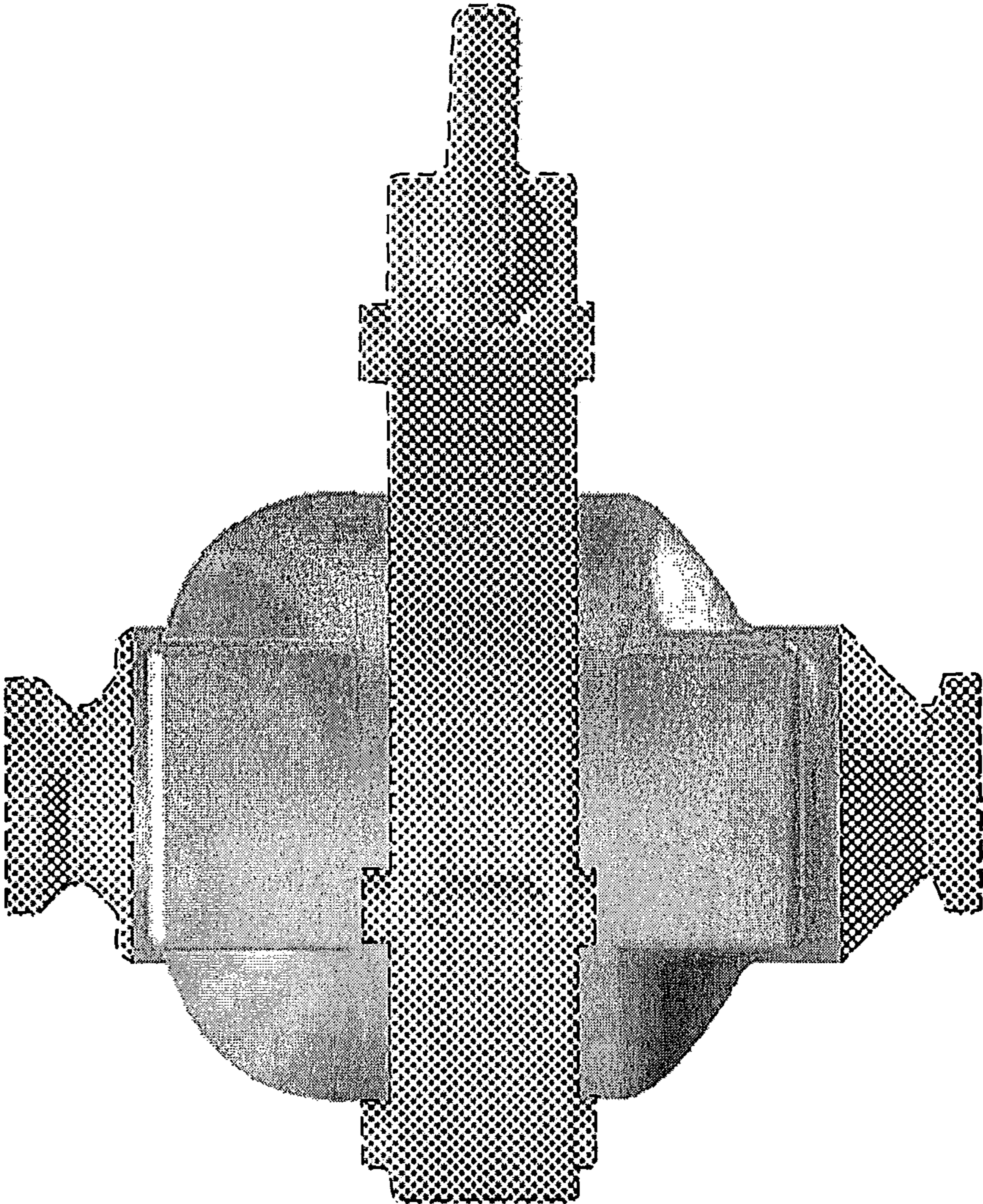


FIG. 1

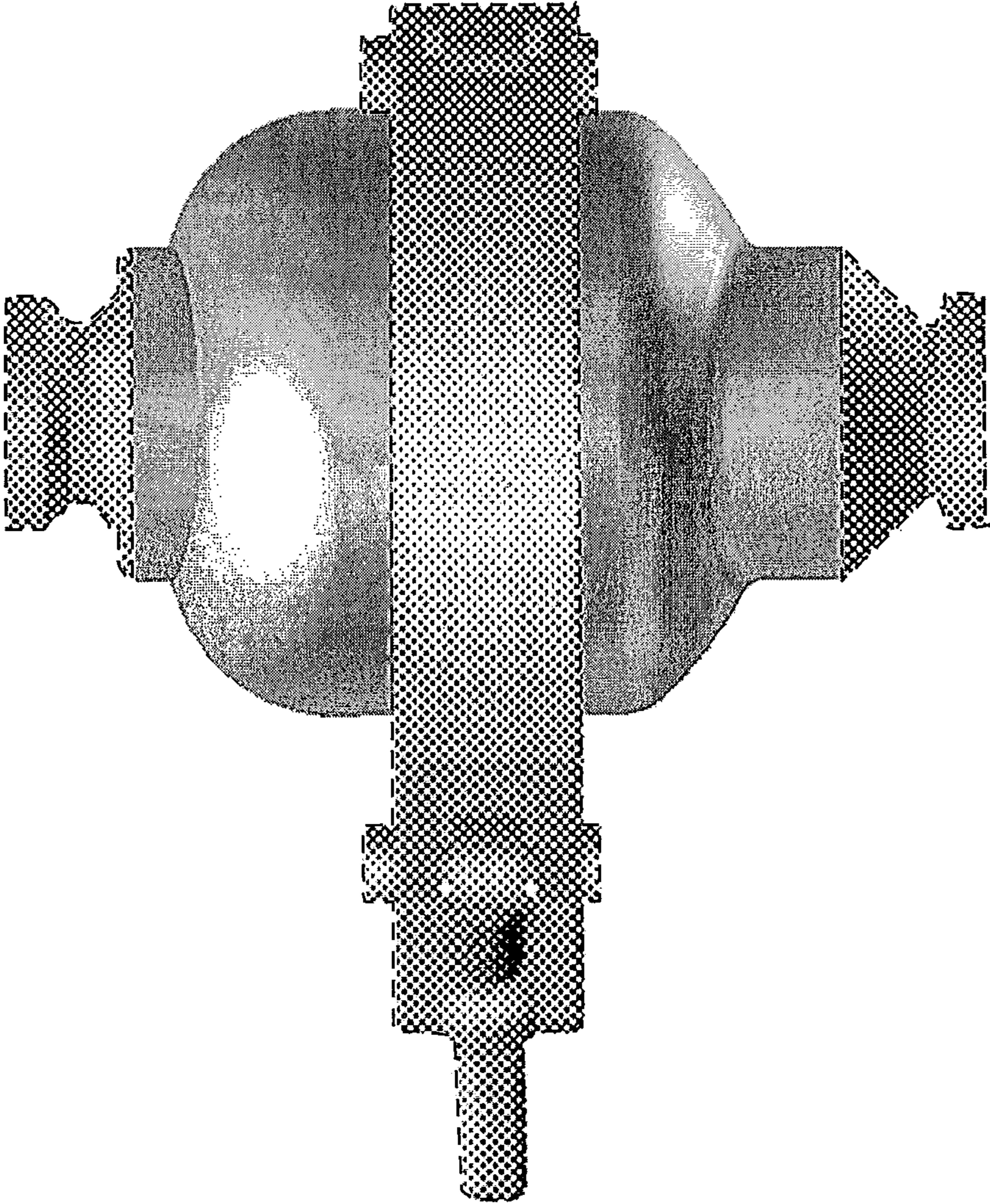


FIG. 2

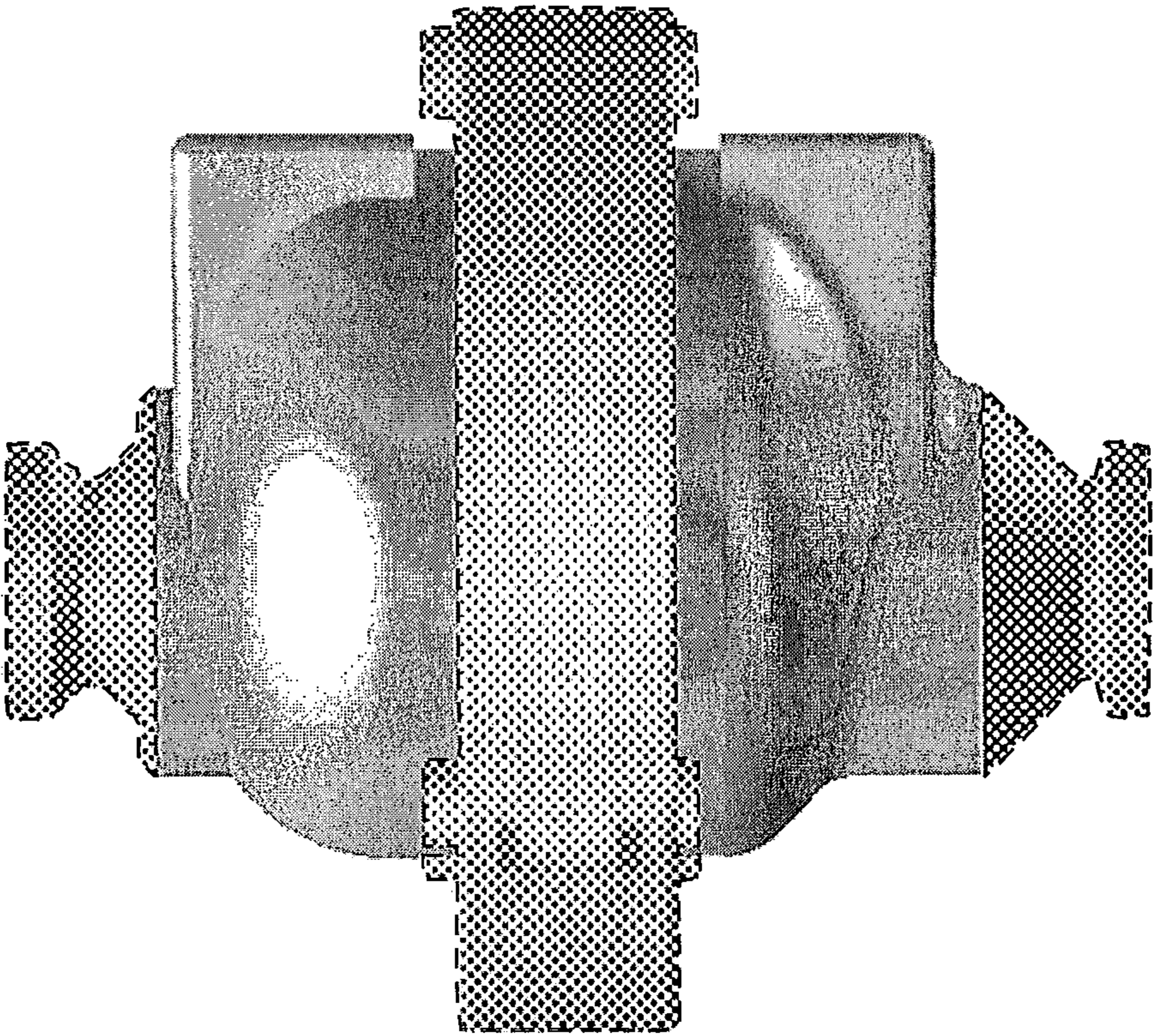


FIG. 3

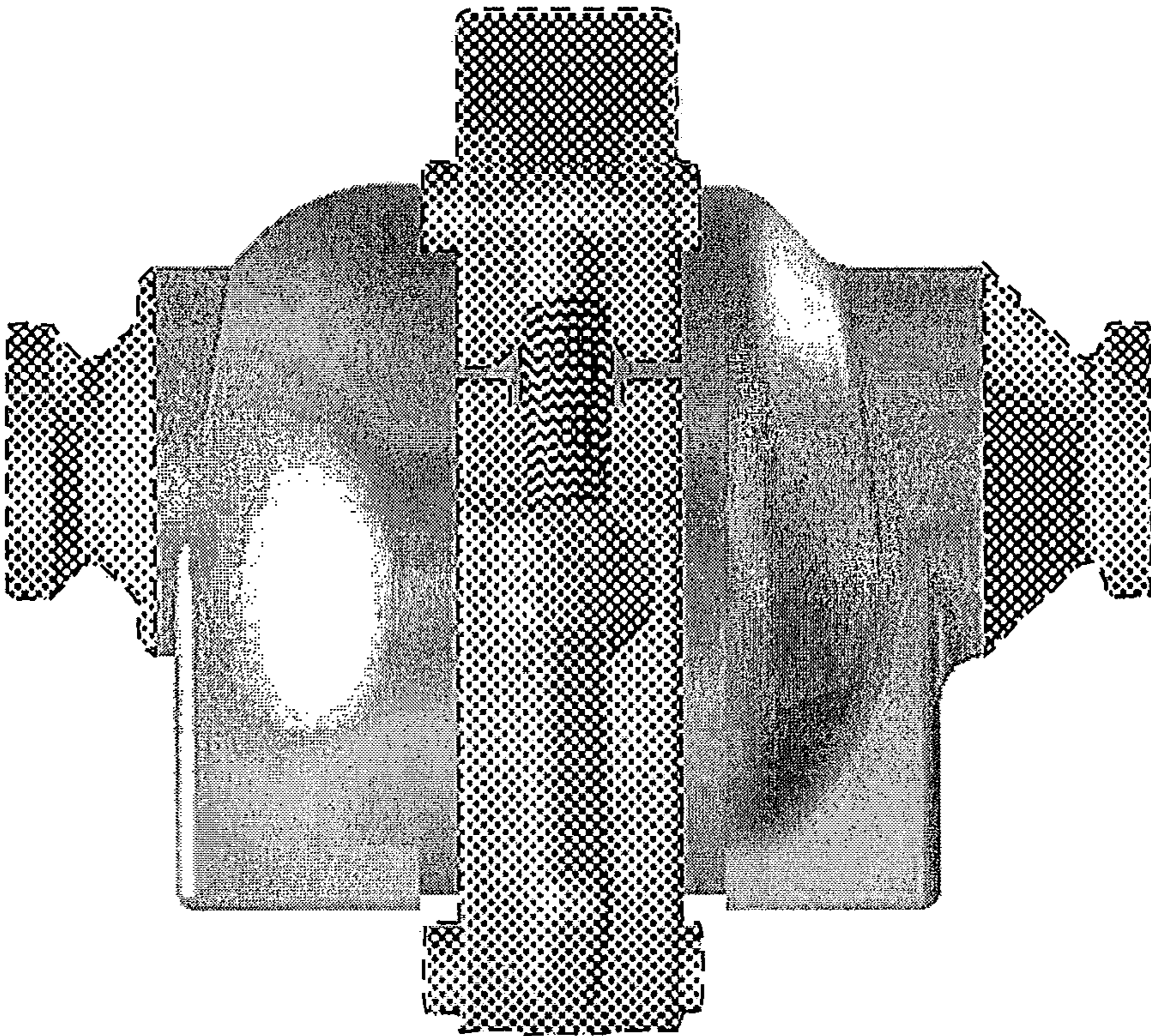


FIG. 4

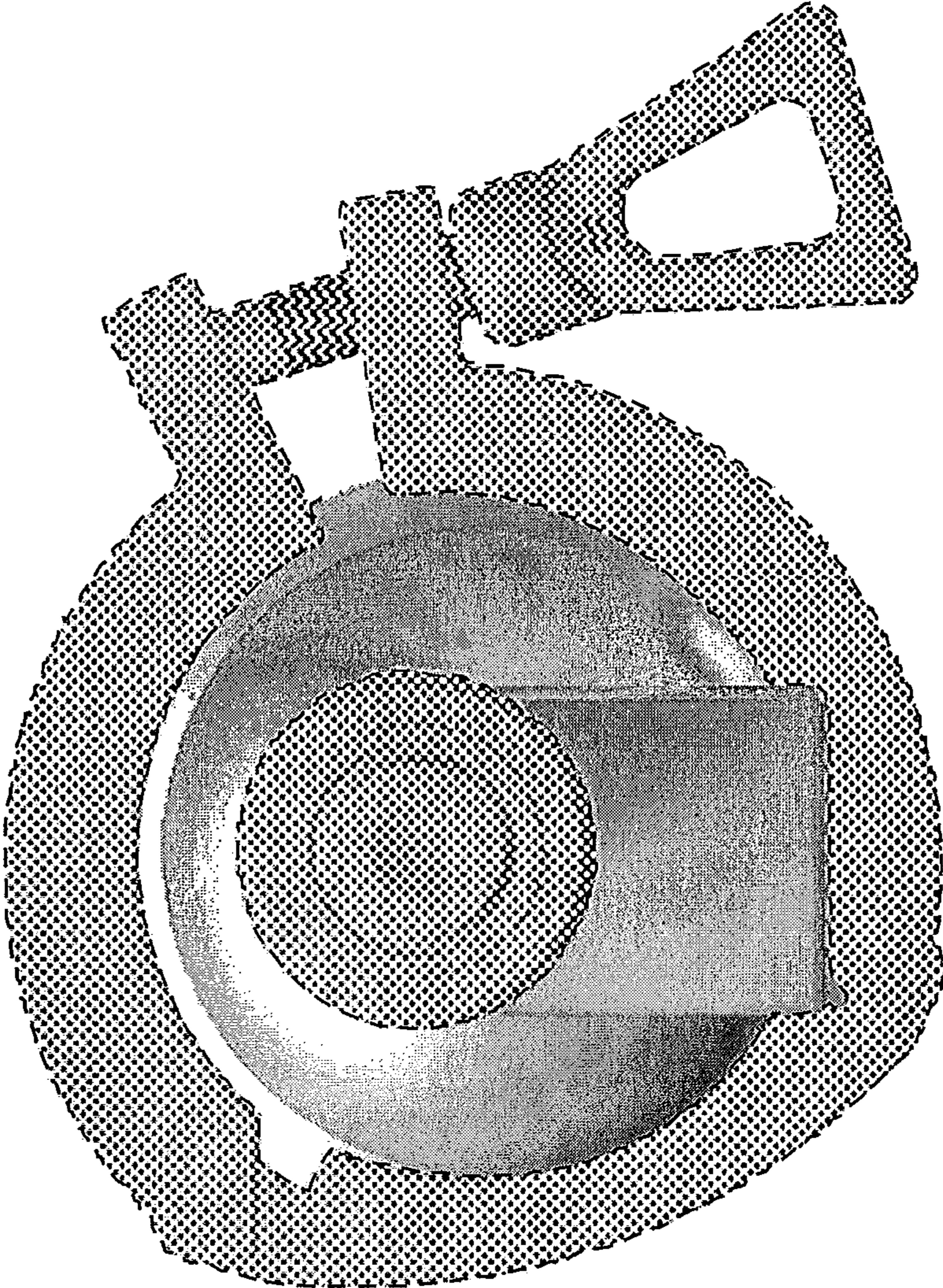


FIG. 5

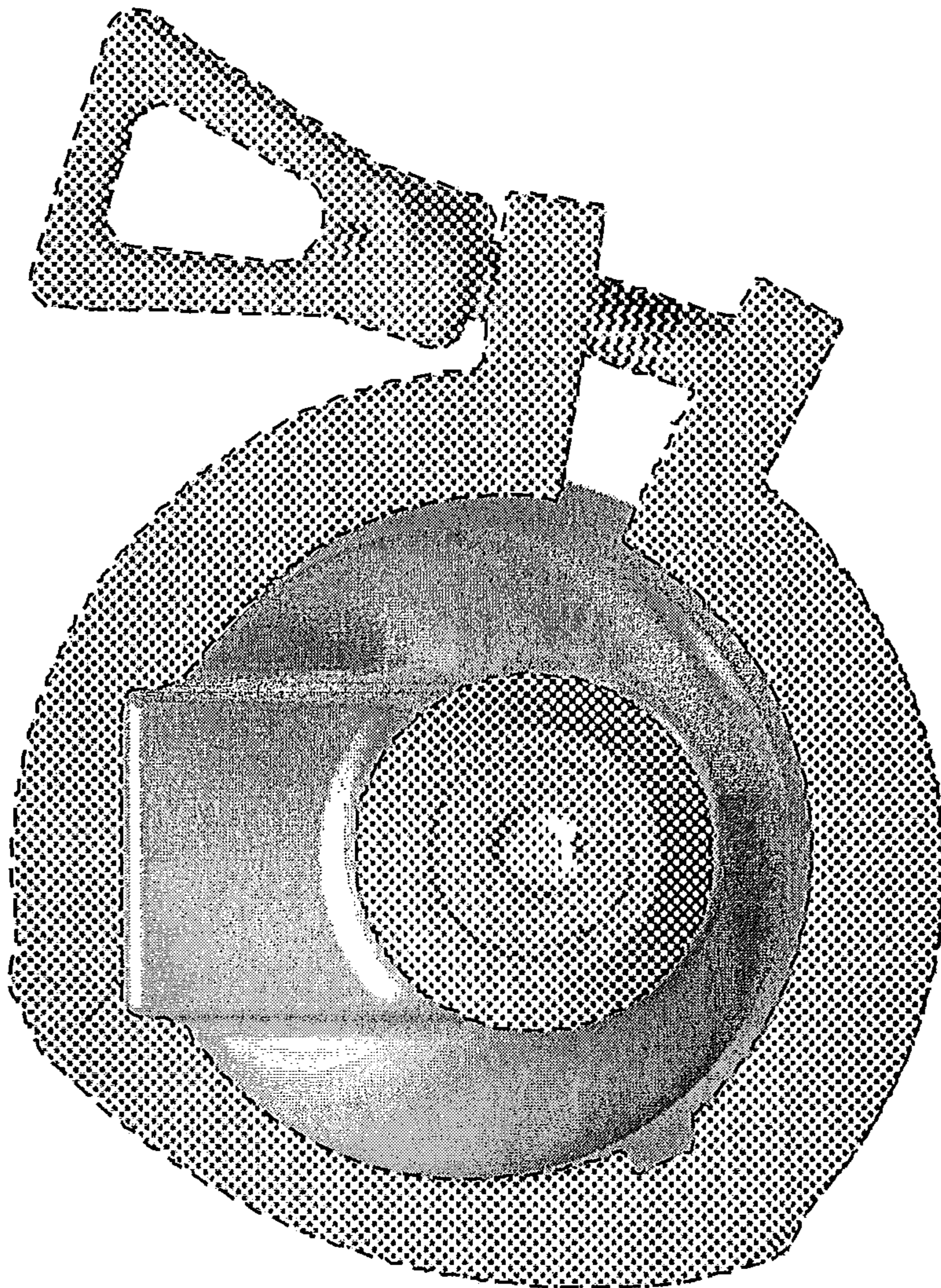


FIG. 6

