



US00D681171S

(12) **United States Design Patent**
Yamamoto

(10) **Patent No.:** **US D681,171 S**
(45) **Date of Patent:** **** Apr. 30, 2013**

(54) **VALVE FOR OIL CHANGE OR THE LIKE**

(75) Inventor: **Yuho Yamamoto**, Queens, NY (US)

(73) Assignee: **Fumoto Giken Co., Ltd.**, Miura-gun (JP)

(**) Term: **14 Years**

(21) Appl. No.: **29/372,378**

(22) Filed: **Nov. 10, 2010**

(51) **LOC (9) Cl.** **23-01**

(52) **U.S. Cl.**
USPC **D23/245**

(58) **Field of Classification Search** D23/233–237,
D23/244–249, 255–269, 310; 251/294, 349–354
See application file for complete search history.

(56) **References Cited**

U.S. PATENT DOCUMENTS

D56,925	S	*	1/1921	Humphrey	D23/263
D56,926	S	*	1/1921	Humphrey	D23/263
3,623,698	A	*	11/1971	Couper et al.	251/264
3,954,250	A	*	5/1976	Grace	251/294
D297,354	S	*	8/1988	Wirth	D23/245
5,275,200	A	*	1/1994	Yamamoto	251/288
D375,141	S	*	10/1996	Valley	D23/233

D505,184	S	*	5/2005	Trappa	D23/245
2003/0205687	A1	*	11/2003	McPeak et al.	251/309
2006/0191960	A1	*	8/2006	Shelton	222/185.1

* cited by examiner

Primary Examiner — Garth Rademaker

(74) *Attorney, Agent, or Firm* — Masuvalley & Partners

(57) **CLAIM**

The ornamental design for a valve for oil change or the like, as shown and described.

DESCRIPTION

FIG. 1 is a front view of a valve for oil change or the like, showing the new design.

FIG. 2 is a rear elevation view of the valve for oil change or the like of FIG. 1.

FIG. 3 is a top plan view of the valve for oil change or the like of FIG. 1.

FIG. 4 is a bottom plan view of the valve for oil change or the like of FIG. 1.

FIG. 5 is a right side elevation view of the valve for oil change or the like of FIG. 1, shown at an enlarged scale.

FIG. 6 is a left side elevation view of the valve for oil change or the like of FIG. 1, shown at an enlarged scale; and,

FIG. 7 is a perspective view of the valve for oil change or the like of FIG. 1.

1 Claim, 7 Drawing Sheets

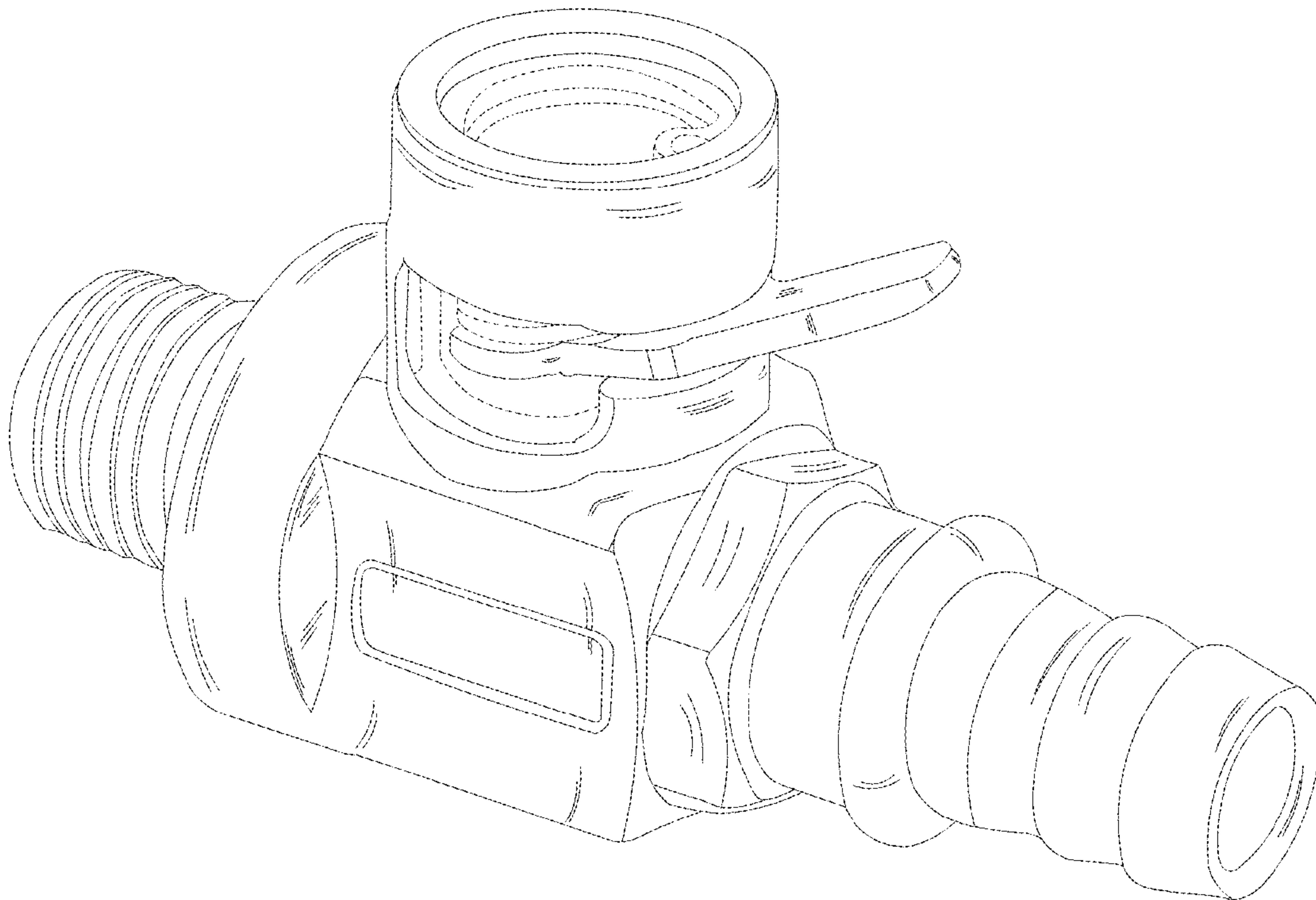


FIG. 1

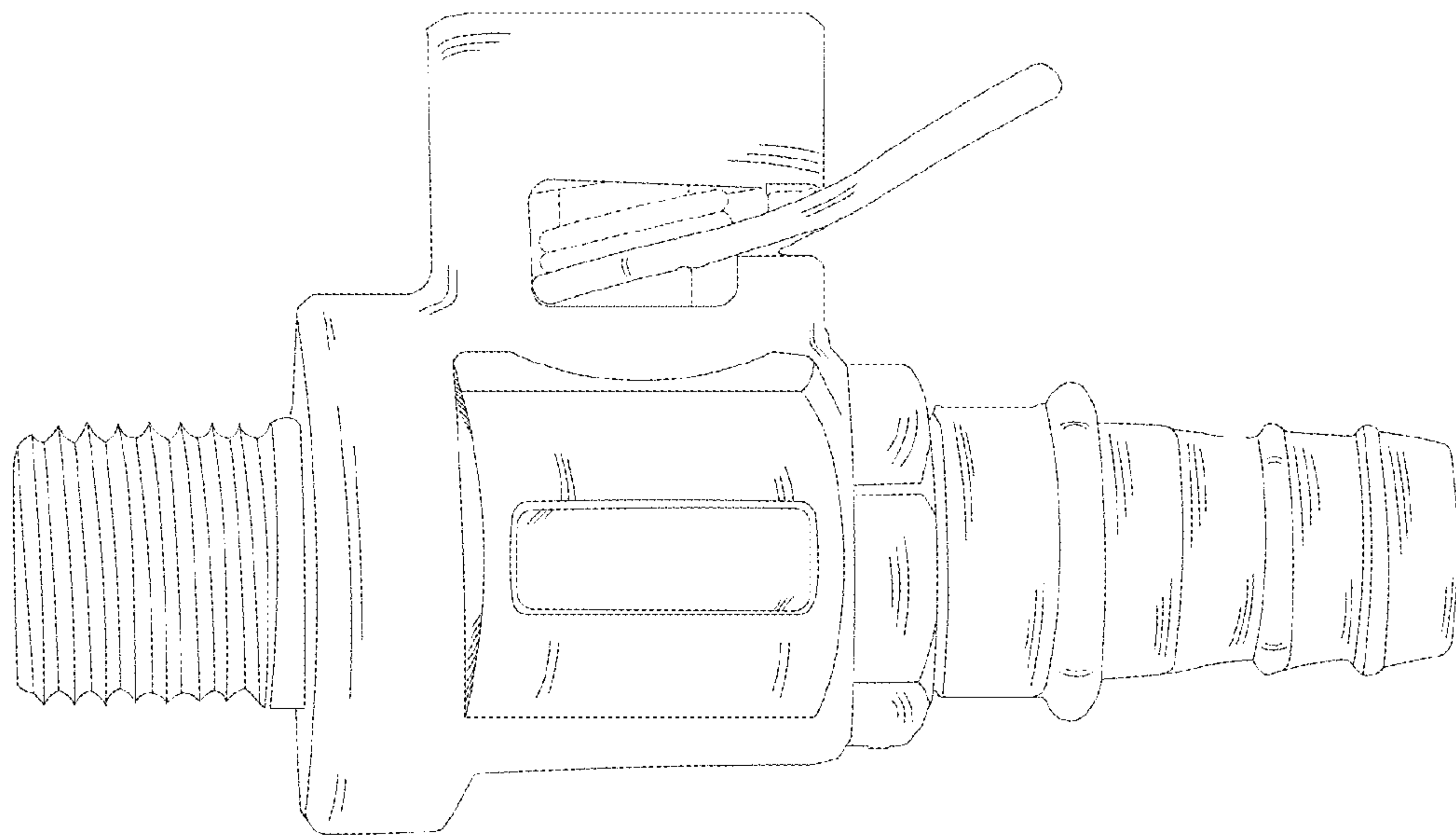


FIG. 2

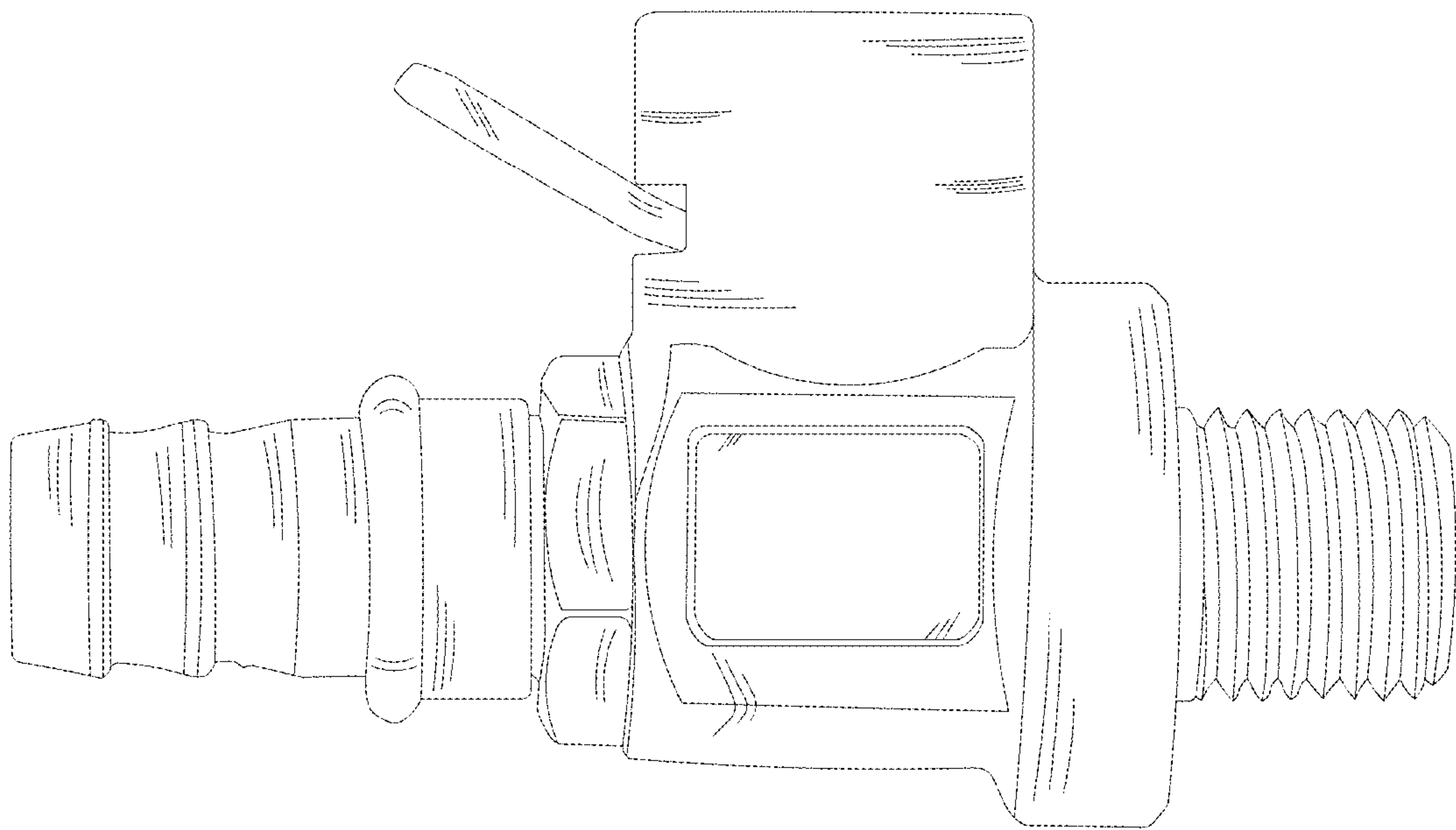


FIG. 3

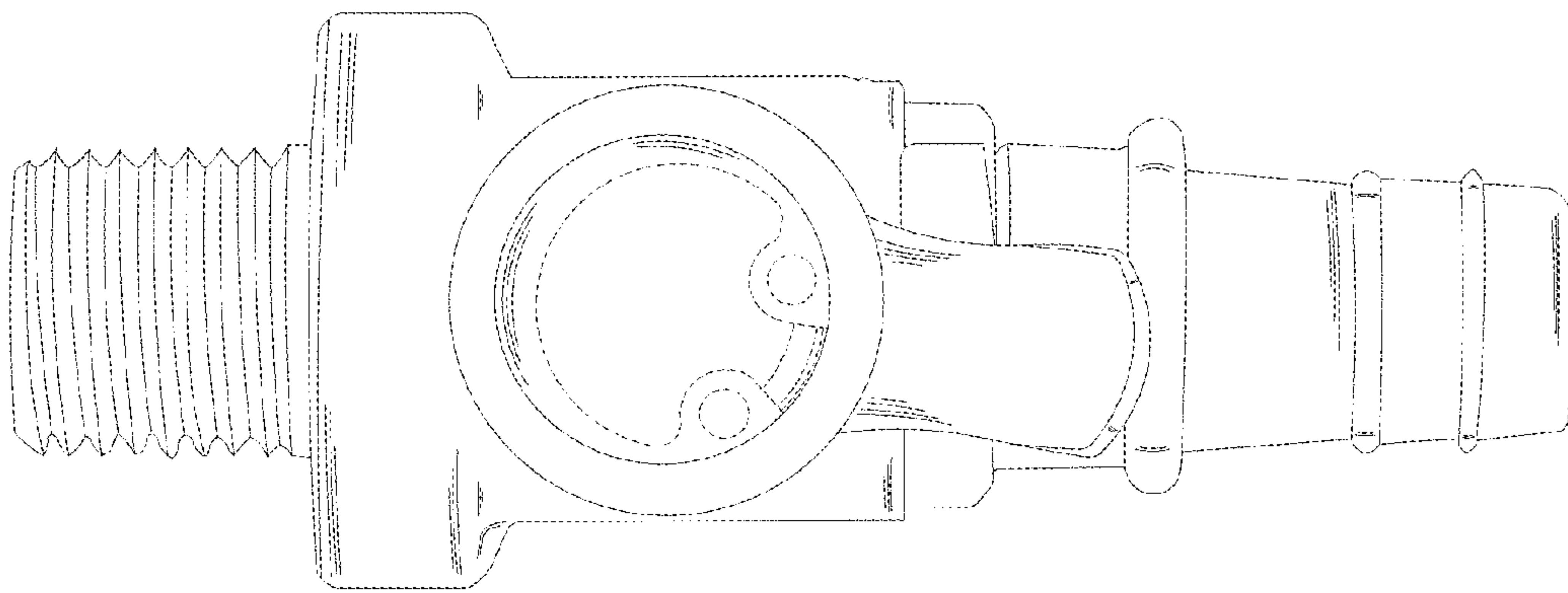


FIG. 4

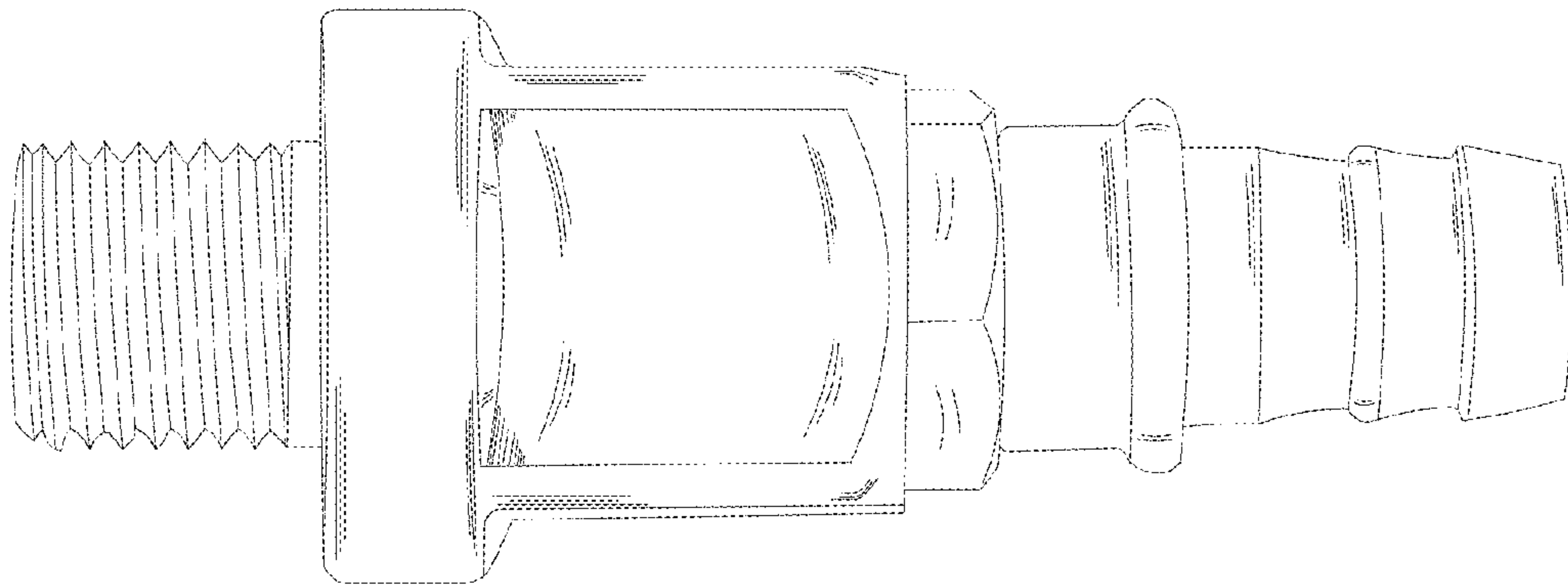


FIG. 5

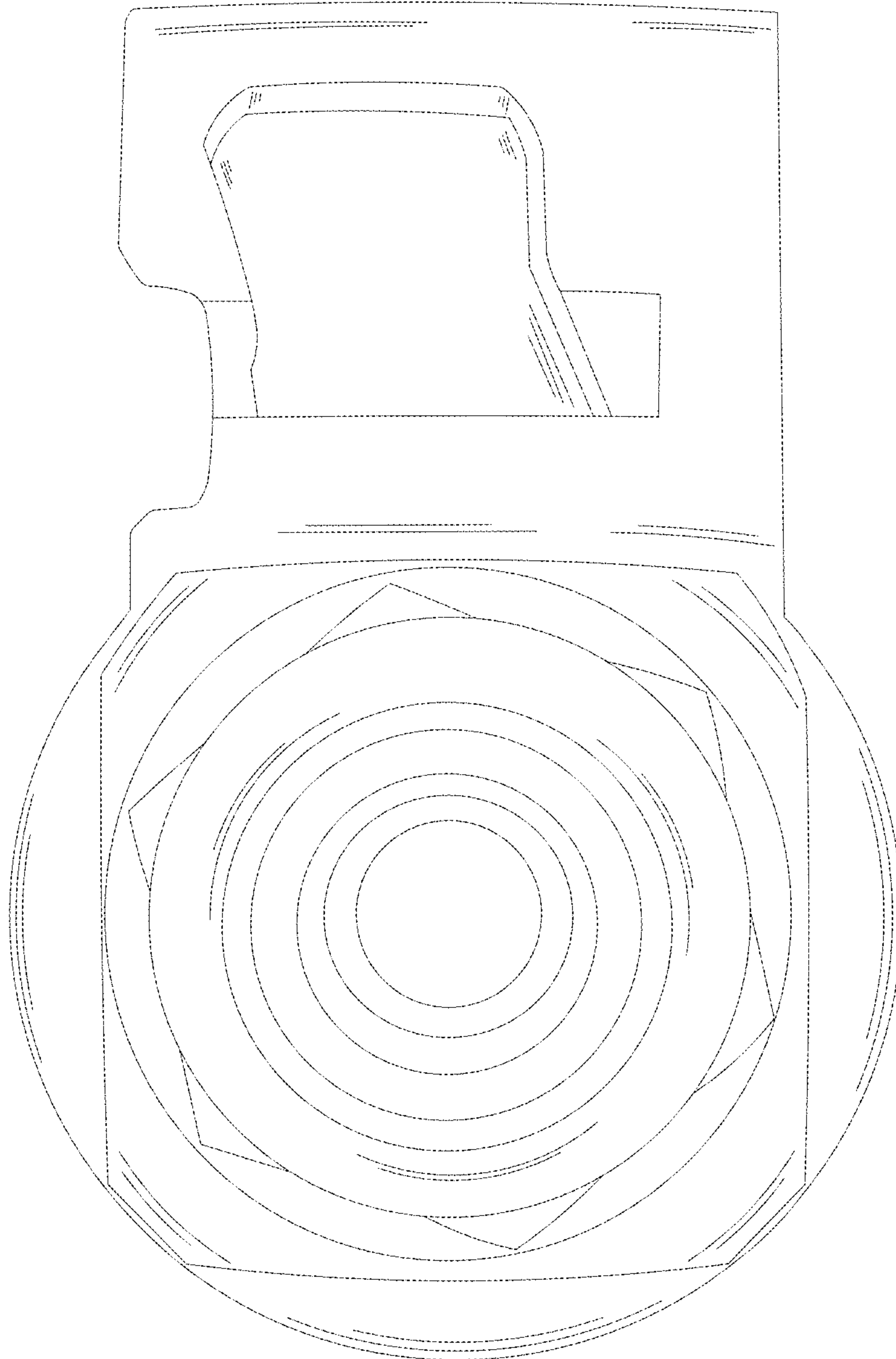


FIG. 6

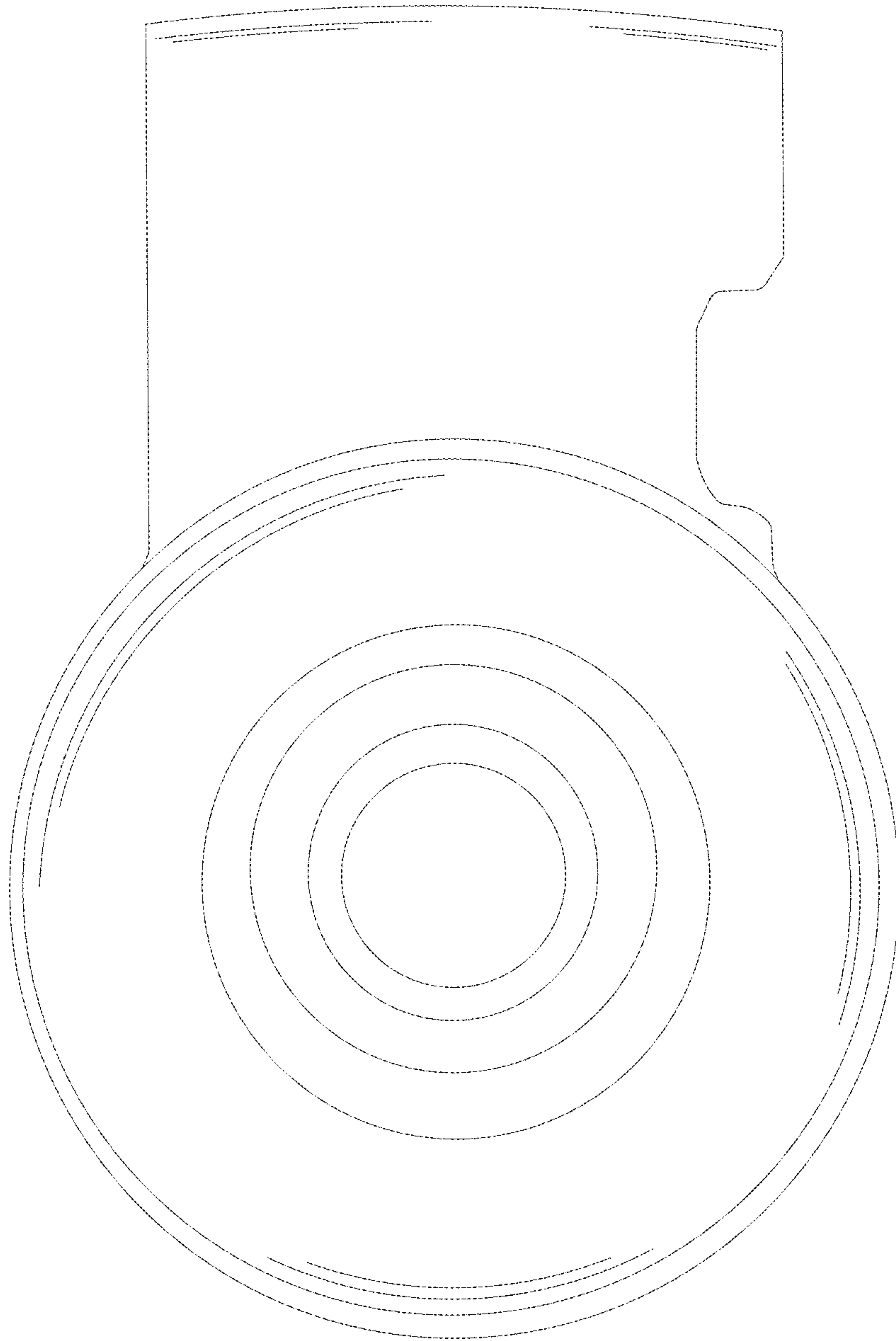


FIG. 7

