



US00D681169S

(12) **United States Design Patent**
Liao

(10) **Patent No.:** **US D681,169 S**

(45) **Date of Patent:** **** Apr. 30, 2013**

(54) **FAUCET**

(75) Inventor: **Vincent Liao**, Guangzhou (CN)

(73) Assignee: **Masco Corporation of Indiana**,
Indianapolis, IN (US)

(**) Term: **14 Years**

(21) Appl. No.: **29/412,273**

(22) Filed: **Feb. 1, 2012**

(51) **LOC (9) Cl.** **23-01**

(52) **U.S. Cl.**
USPC **D23/242**

(58) **Field of Classification Search** D23/238-240,
D23/255, 257, 250, 252, 241-243; 4/675-678;
137/801

See application file for complete search history.

(56) **References Cited**

U.S. PATENT DOCUMENTS

D492,009 S *	6/2004	Egee	D23/238
D534,251 S *	12/2006	Barry	D23/255
D540,910 S *	4/2007	Blomstrom	D23/238

D581,029 S *	11/2008	Gilbert	D23/255
D622,817 S *	8/2010	Painter	D23/242
D655,788 S *	3/2012	Obara et al.	D23/242
D666,699 S *	9/2012	Liao	D23/252
D667,088 S *	9/2012	Kwok	D23/242

* cited by examiner

Primary Examiner — Robert Delehanty

(74) *Attorney, Agent, or Firm* — Edgar A. Zarins; Nirav D. Parikh; Lora J. Graentzdoerffer

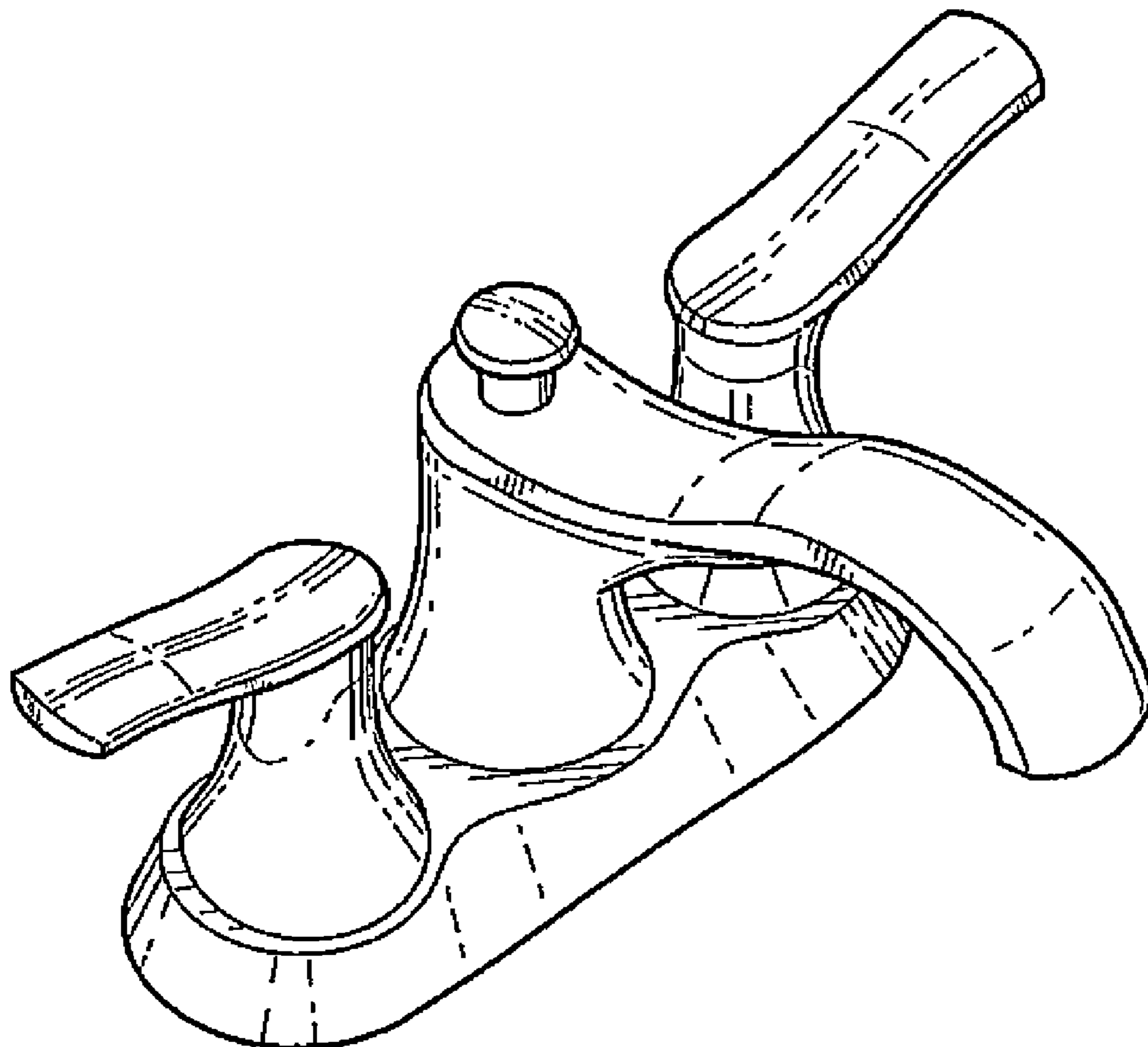
(57) **CLAIM**

The ornamental design for a faucet, as shown and described.

DESCRIPTION

FIG. 1 is a perspective view of a faucet showing my new design;
 FIG. 2 is a front elevational view thereof;
 FIG. 3 is a rear view thereof;
 FIG. 4 is a top plan view thereof;
 FIG. 5 is a right side view thereof;
 FIG. 6 is a left side view thereof; and,
 FIG. 7 is a bottom view thereof.

1 Claim, 2 Drawing Sheets



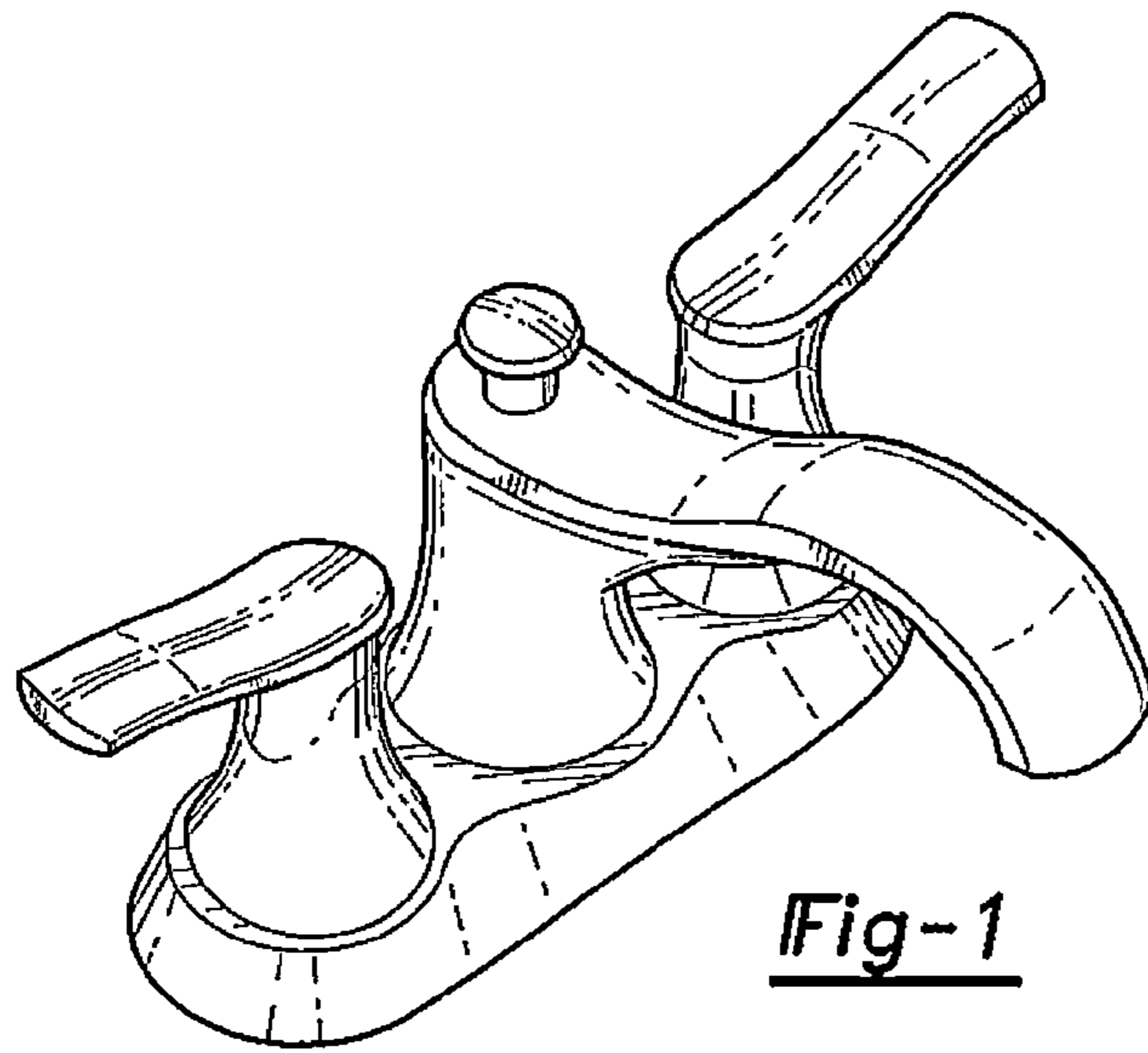


Fig-1

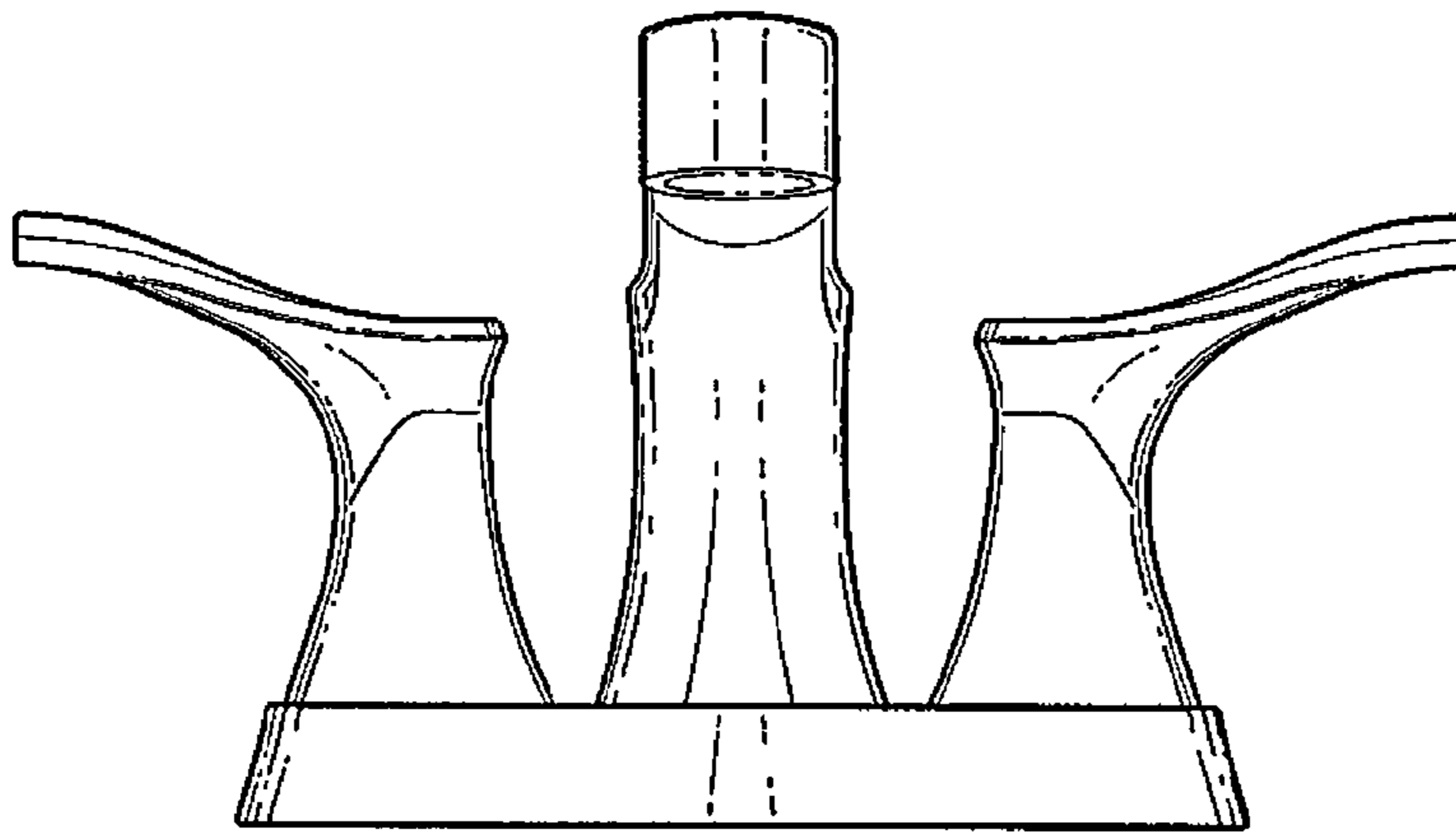


Fig-2

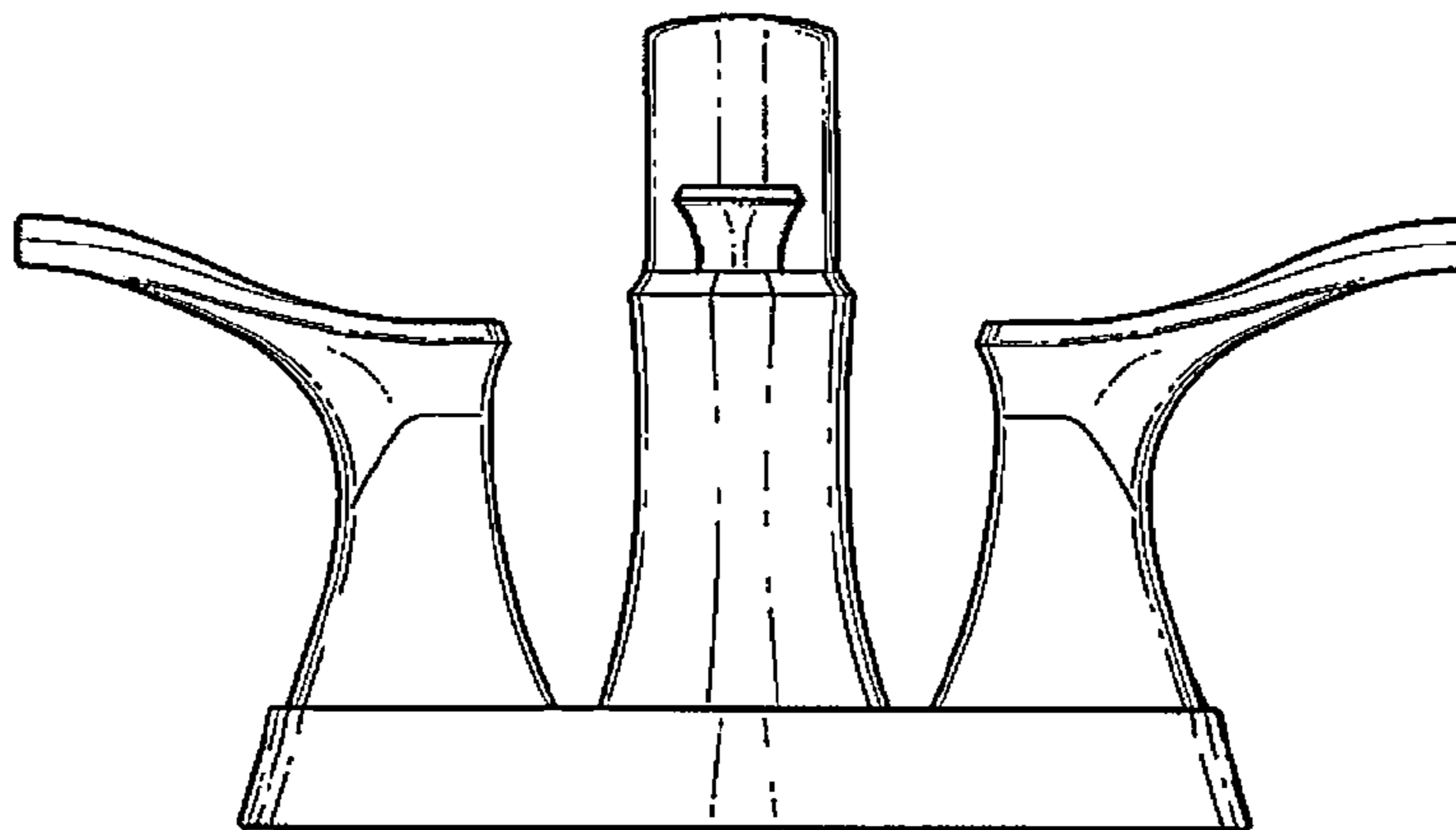


Fig-3

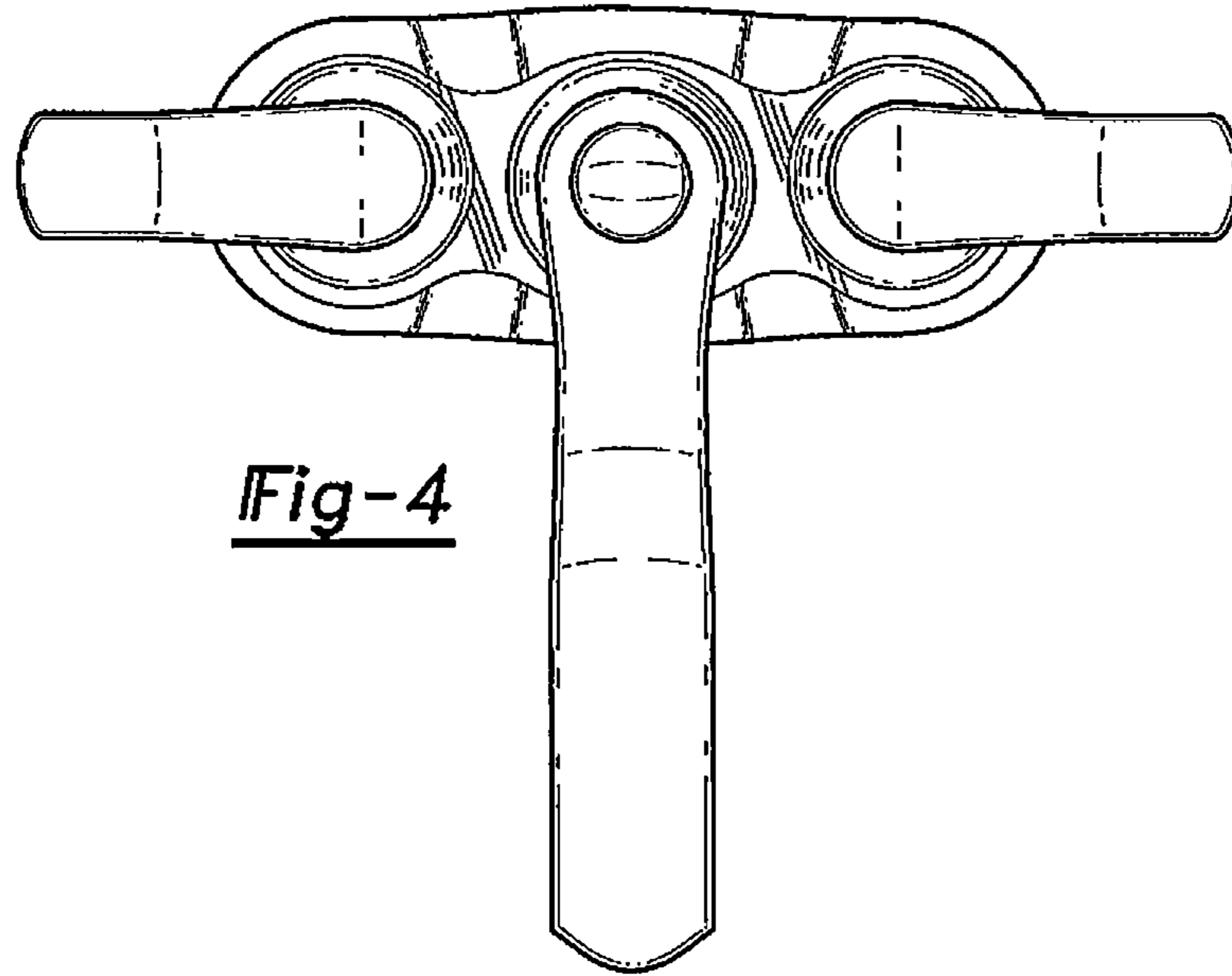


Fig-4

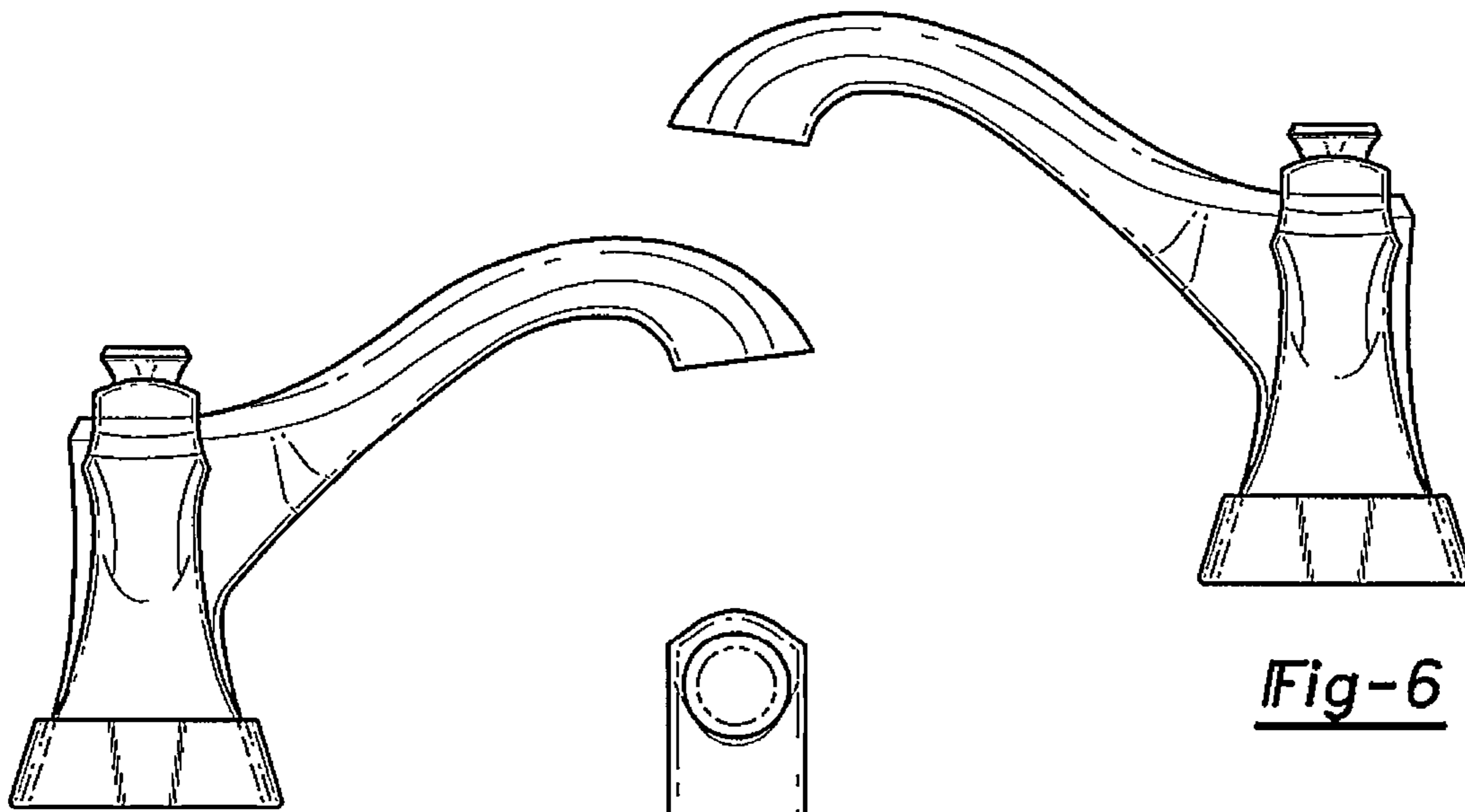


Fig-5

Fig-6

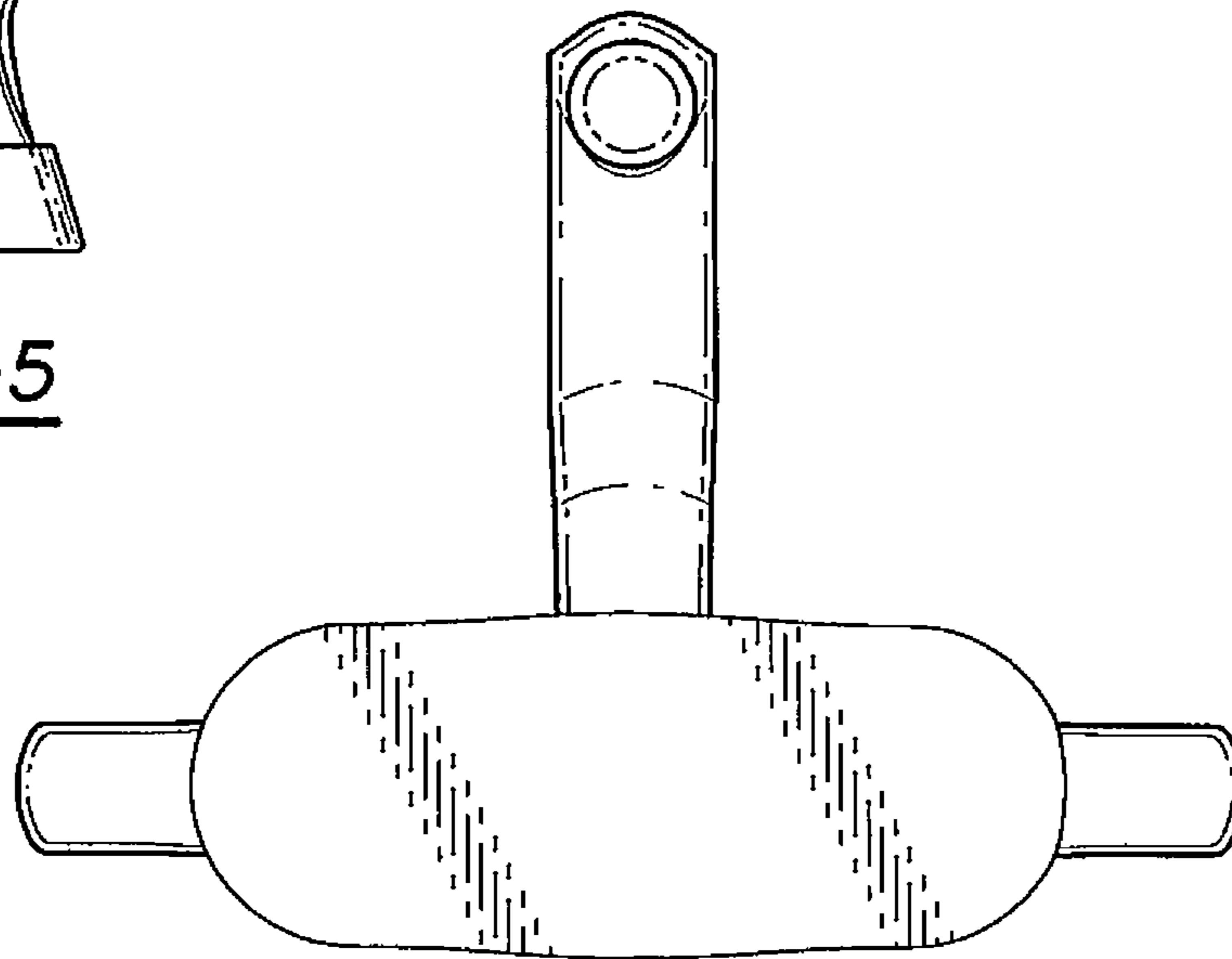


Fig-7