



US00D681167S

(12) **United States Design Patent**  
**Romero et al.**

(10) **Patent No.:** **US D681,167 S**  
(45) **Date of Patent:** **\*\* Apr. 30, 2013**

(54) **FAUCET BODY**

(75) Inventors: **Emilie Williams Romero**, Chicago, IL (US); **Anthony Spangler**, Indianapolis, IN (US)

(73) Assignee: **Masco Corporation of Indiana**, Indianapolis, IN (US)

(\*\*) Term: **14 Years**

(21) Appl. No.: **29/418,024**

(22) Filed: **Apr. 11, 2012**

(51) **LOC (9) Cl.** ..... **23-01**

(52) **U.S. Cl.**  
USPC ..... **D23/238**

(58) **Field of Classification Search** ..... D23/238–240,  
D23/250, 252, 254–255, 257; 4/675–678;  
137/801

See application file for complete search history.

(56) **References Cited**

U.S. PATENT DOCUMENTS

D554,236 S \* 10/2007 Dolan ..... D23/255  
D601,668 S \* 10/2009 Williams ..... D23/255  
D622,354 S \* 8/2010 Yu ..... D23/238

D624,990 S \* 10/2010 Joerger et al. .... D23/242  
D636,461 S \* 4/2011 Romero ..... D23/238  
D636,462 S \* 4/2011 Romero et al. .... D23/238  
D640,353 S \* 6/2011 Gao et al. .... D23/255  
D645,123 S \* 9/2011 Corbett ..... D23/255

\* cited by examiner

*Primary Examiner* — Robert Delehanty

(74) *Attorney, Agent, or Firm* — Edgar A. Zarins; Nirav D. Parikh; Lora J. Graentzdoerffer

(57) **CLAIM**

The ornamental design for a faucet body, as shown and described.

**DESCRIPTION**

FIG. 1 is a perspective view of a faucet body showing our new design;

FIG. 2 is a front elevational view thereof;

FIG. 3 is a rear view thereof;

FIG. 4 is a first side view thereof;

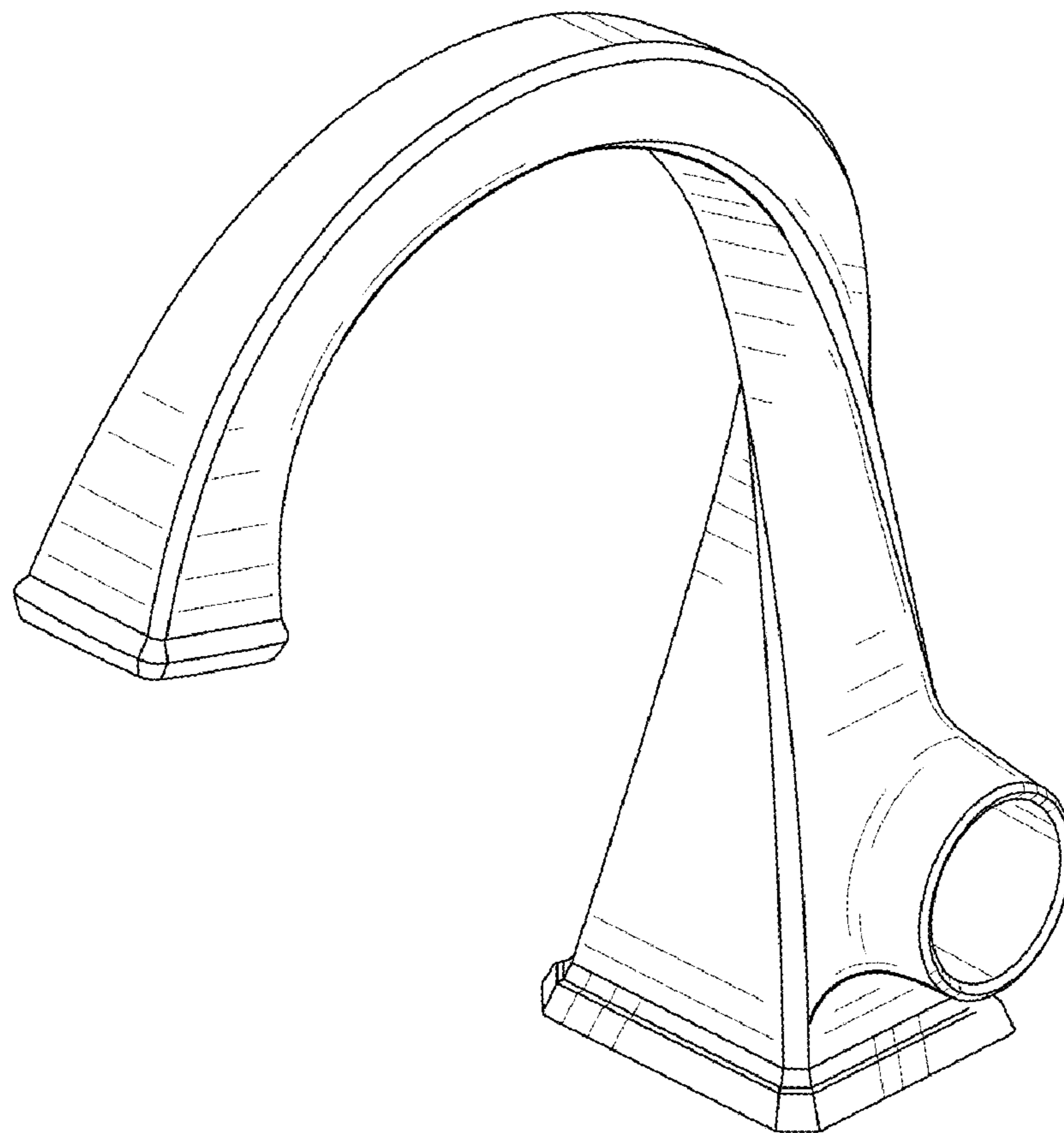
FIG. 5 is a second side view thereof;

FIG. 6 is a top plan view thereof; and,

FIG. 7 is a bottom view thereof.

The broken lines shown in the drawings illustrate a portion of the faucet that forms no part of the claimed design.

**1 Claim, 2 Drawing Sheets**



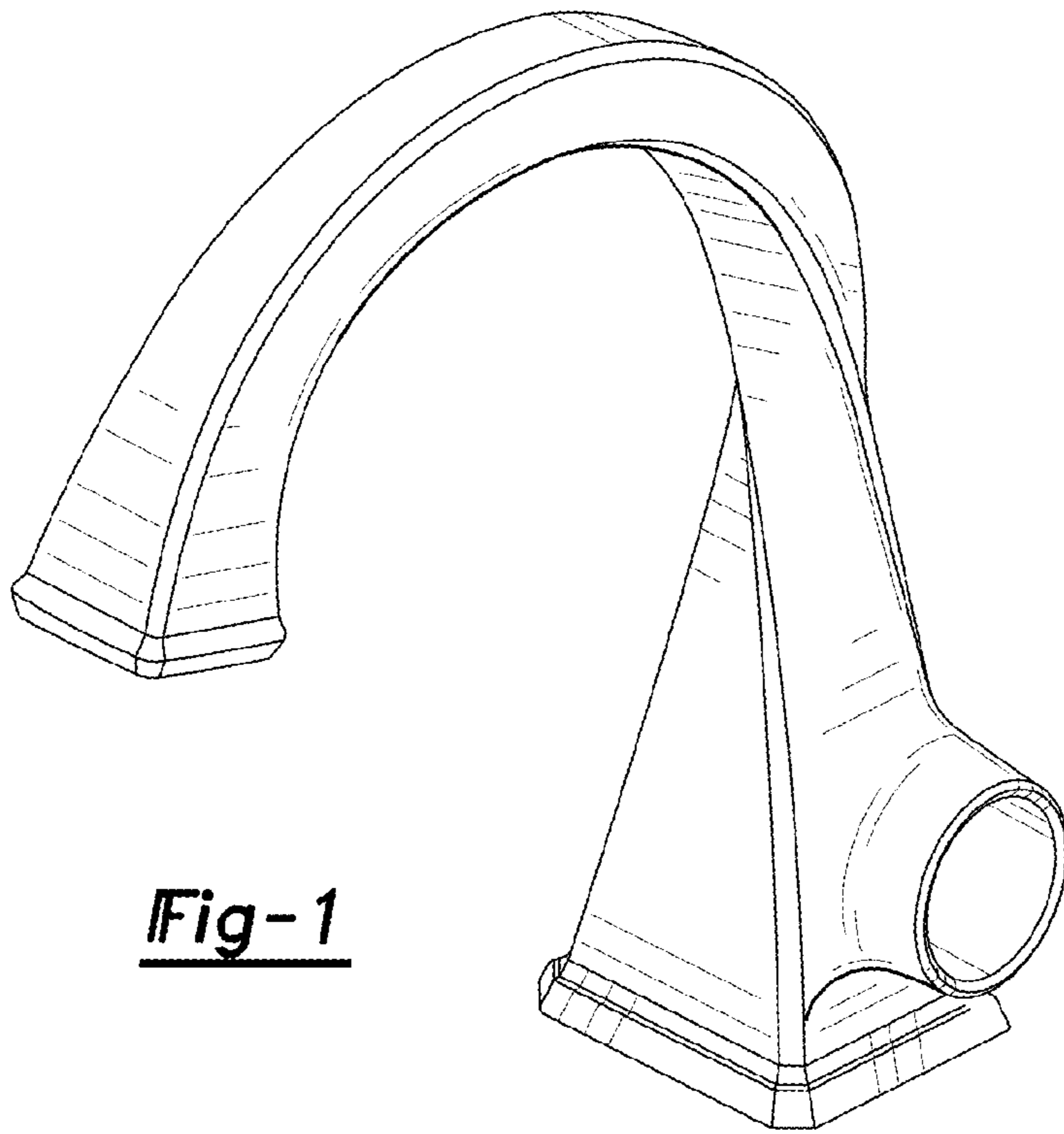


Fig-1

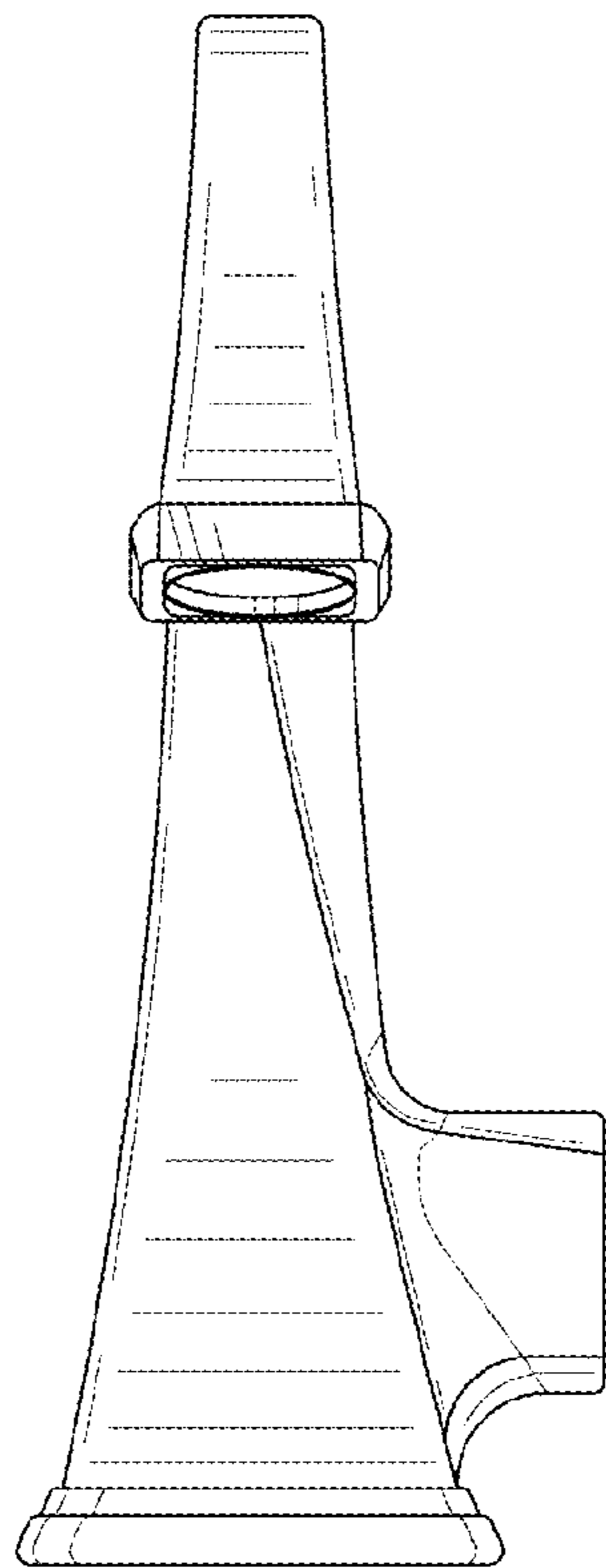


Fig-2

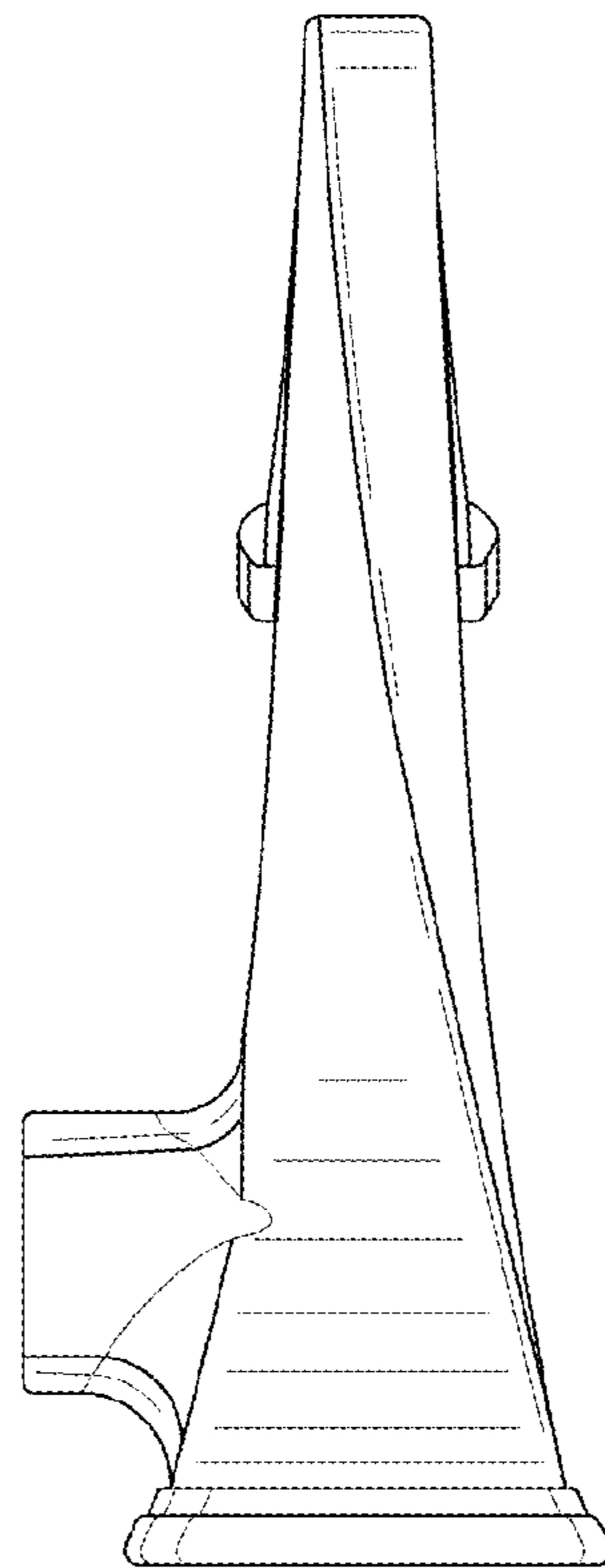


Fig-3

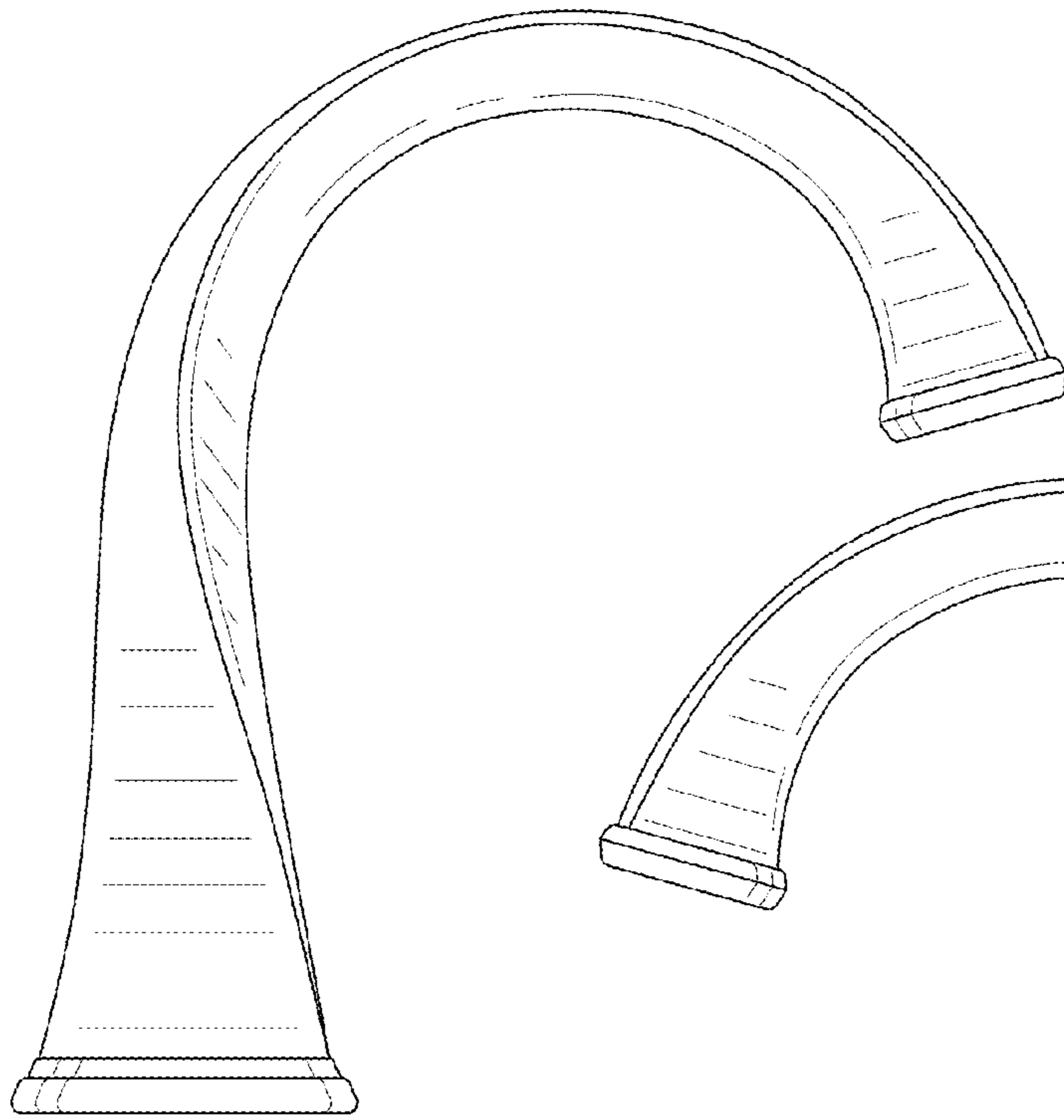


Fig-4

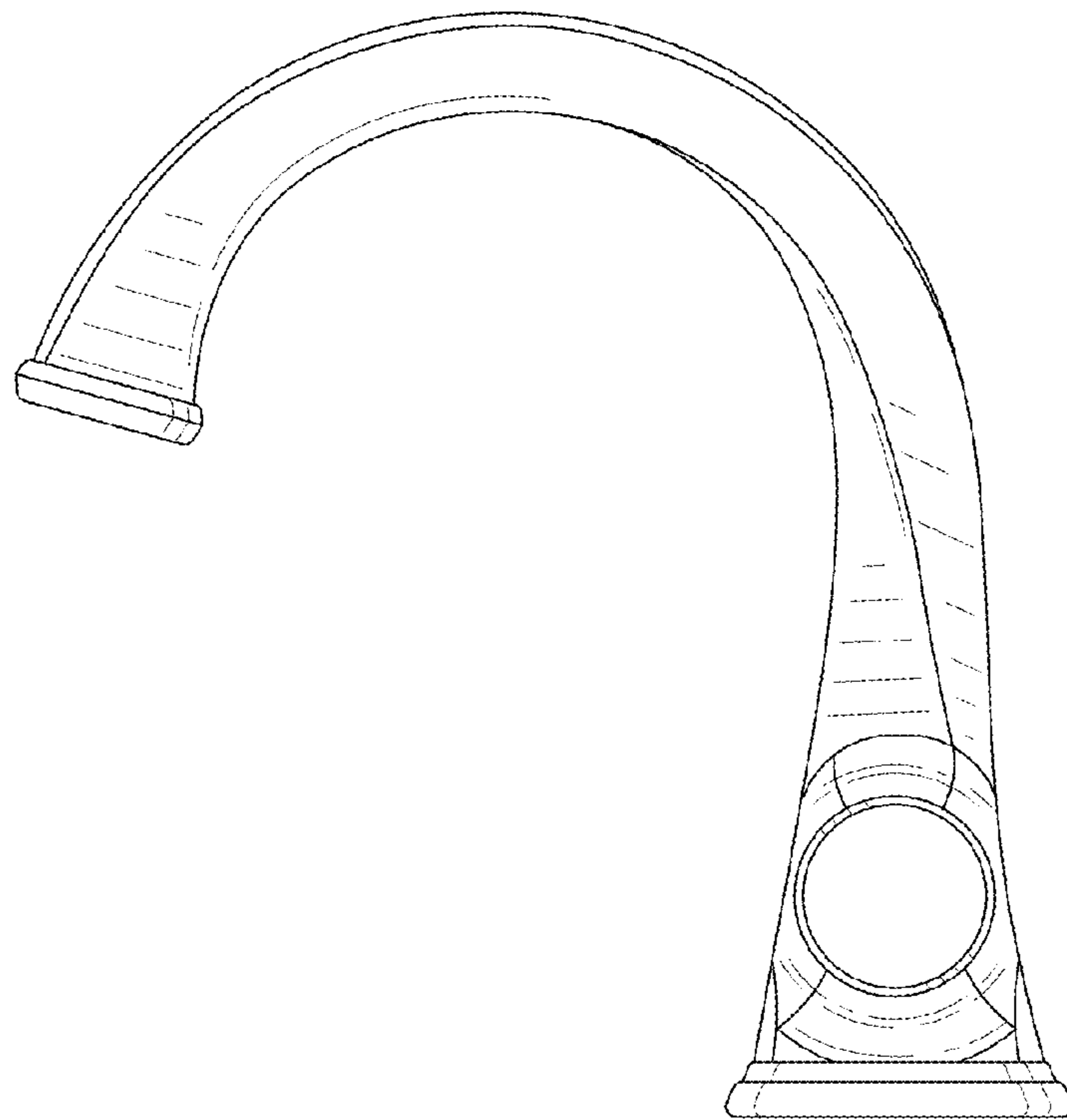


Fig-5

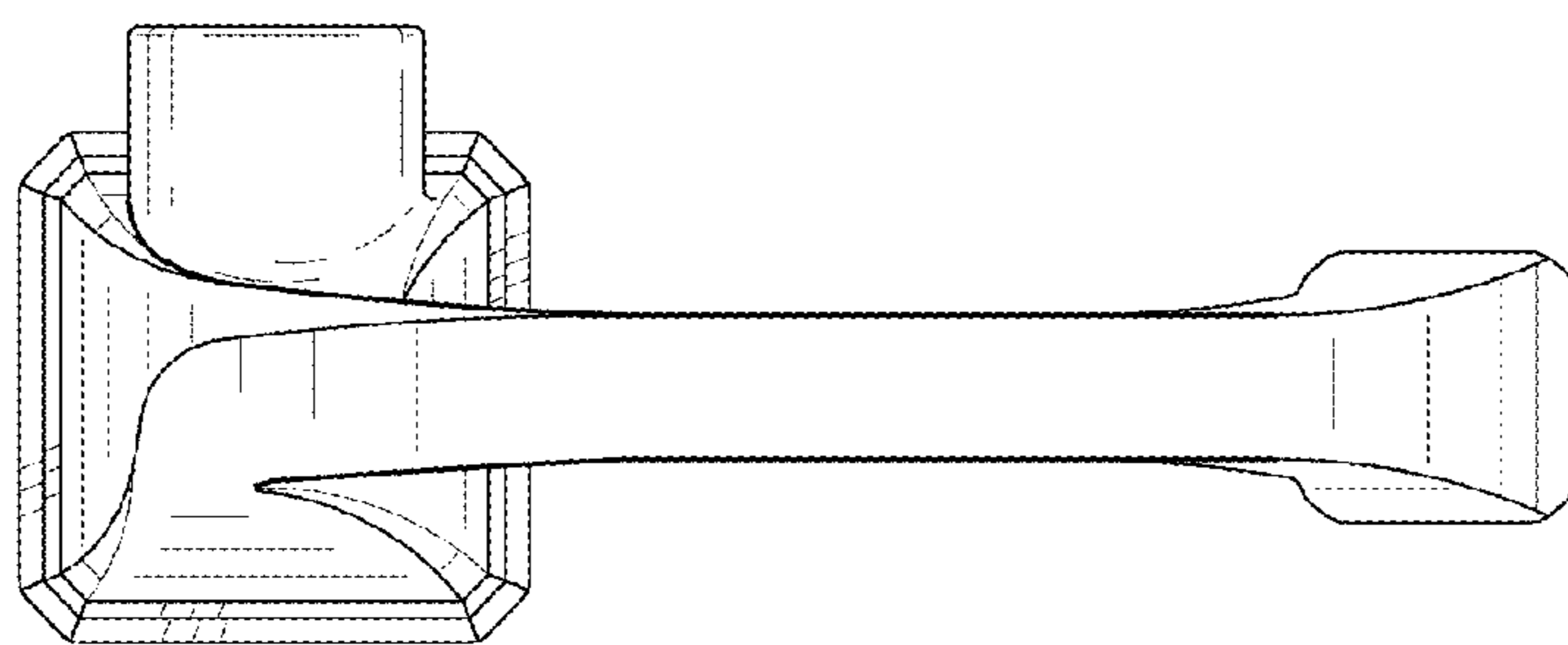


Fig-6

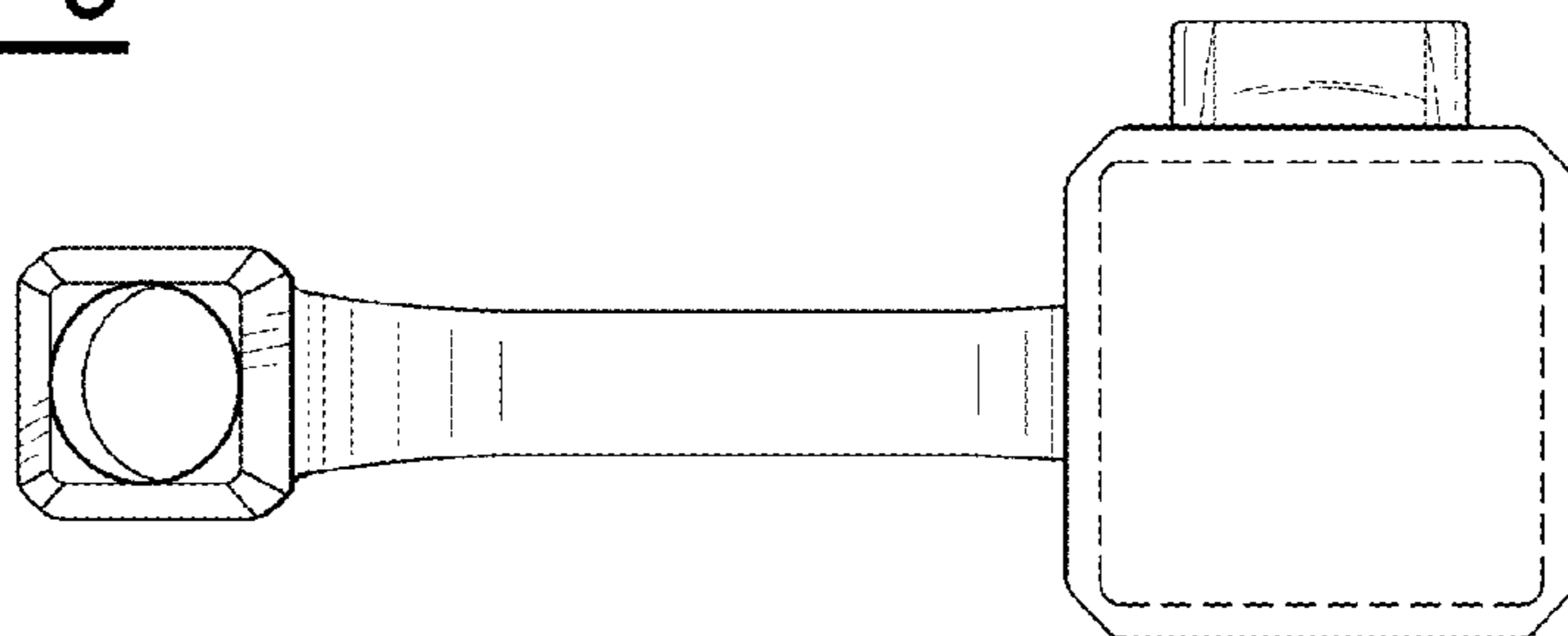


Fig-7