



US00D681166S

(12) **United States Design Patent**
Romero et al.

(10) **Patent No.:** **US D681,166 S**

(45) **Date of Patent:** **** Apr. 30, 2013**

(54) **FAUCET**

(75) Inventors: **Emilie Williams Romero**, Chicago, IL (US); **Anthony Spangler**, Indianapolis, IN (US)

(73) Assignee: **Masco Corporation of Indiana**, Indianapolis, IN (US)

(**) Term: **14 Years**

(21) Appl. No.: **29/418,021**

(22) Filed: **Apr. 11, 2012**

(51) **LOC (9) Cl.** **23-01**

(52) **U.S. Cl.**
USPC **D23/238**

(58) **Field of Classification Search** D23/238-240,
D23/250, 252, 254-255, 257; 4/675-678;
137/801

See application file for complete search history.

(56) **References Cited**

U.S. PATENT DOCUMENTS

D554,236 S * 10/2007 Dolan D23/255
D601,668 S * 10/2009 Williams D23/255

D622,354 S * 8/2010 Yu D23/238
D624,990 S * 10/2010 Joerger et al. D23/242
D636,461 S * 4/2011 Romero D23/238
D636,462 S * 4/2011 Romero et al. D23/238
D640,353 S * 6/2011 Gao et al. D23/255
D645,123 S * 9/2011 Corbett D23/255

* cited by examiner

Primary Examiner — Robert Delehanty

(74) *Attorney, Agent, or Firm* — Edgar A. Zarins; Nirav D. Parikh; Lora J. Graentzdoerffer

(57) **CLAIM**

The ornamental design for a faucet, as shown and described.

DESCRIPTION

FIG. 1 is a perspective view of a faucet showing our new design;

FIG. 2 is a front elevational view thereof;

FIG. 3 is a rear view thereof;

FIG. 4 is a first side view thereof;

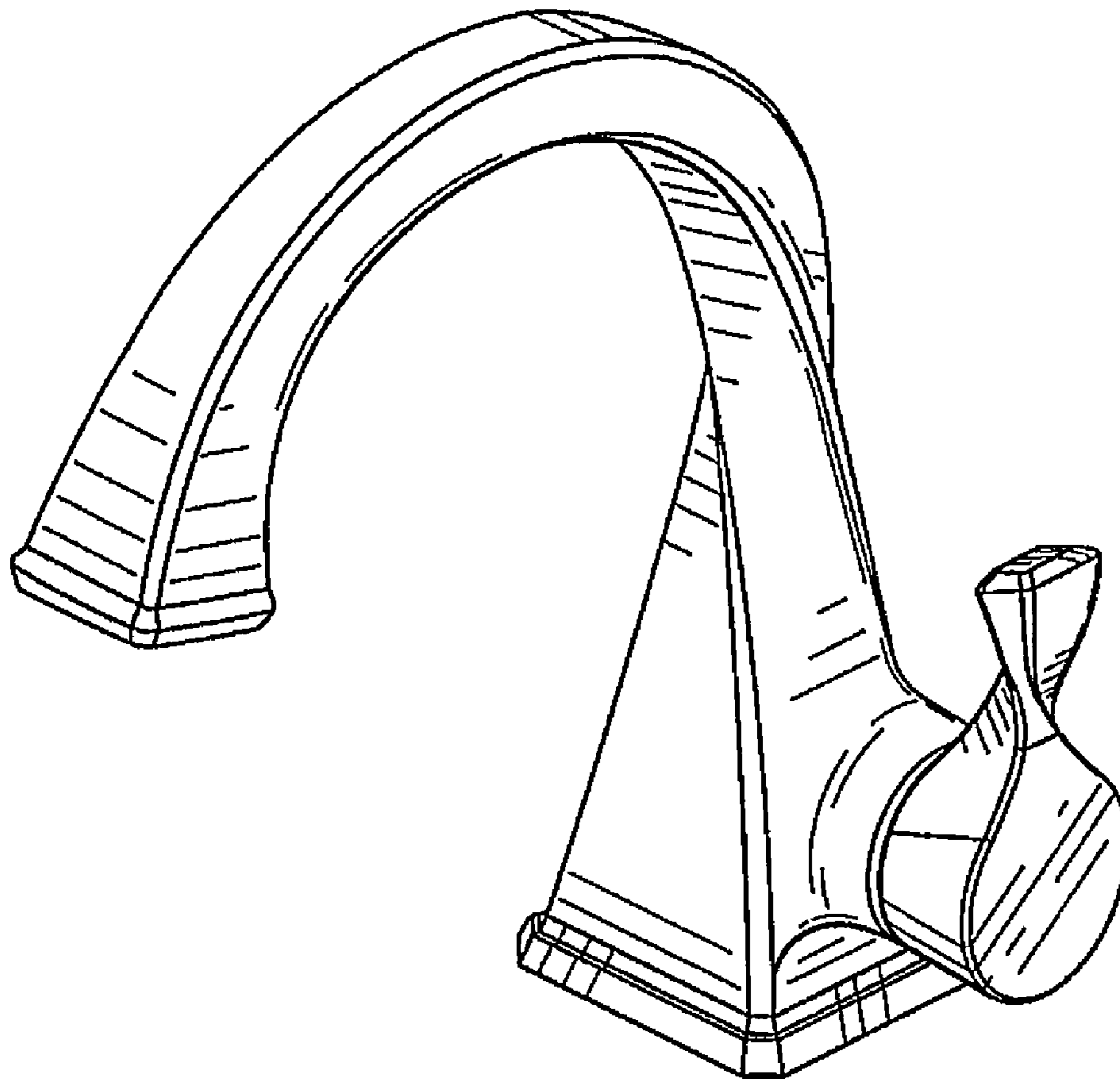
FIG. 5 is a second side view thereof;

FIG. 6 is a top plan view thereof; and,

FIG. 7 is a bottom view thereof.

The broken lines shown in the drawings illustrate a portion of the faucet that forms no part of the claimed design.

1 Claim, 2 Drawing Sheets



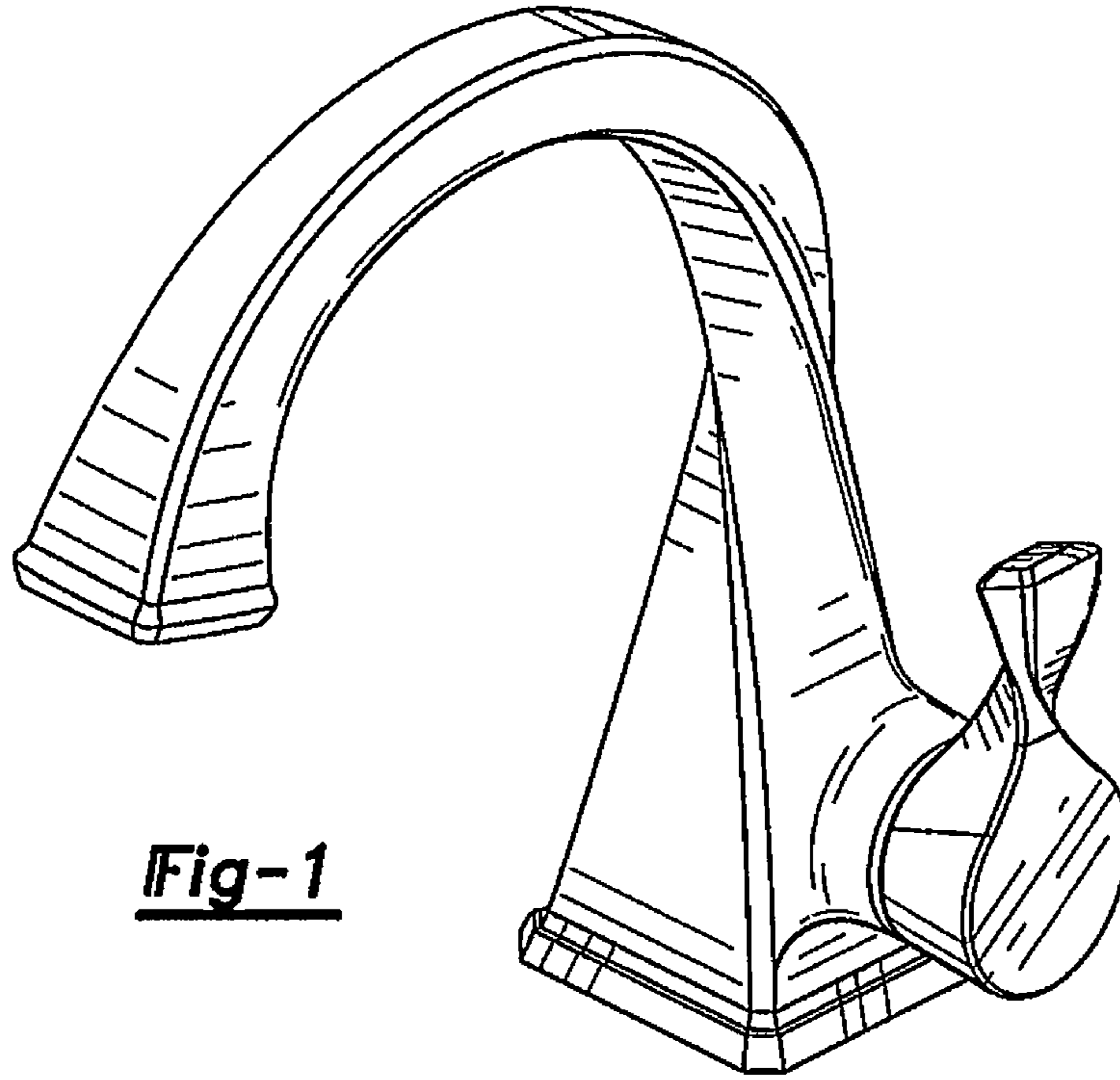


Fig-1

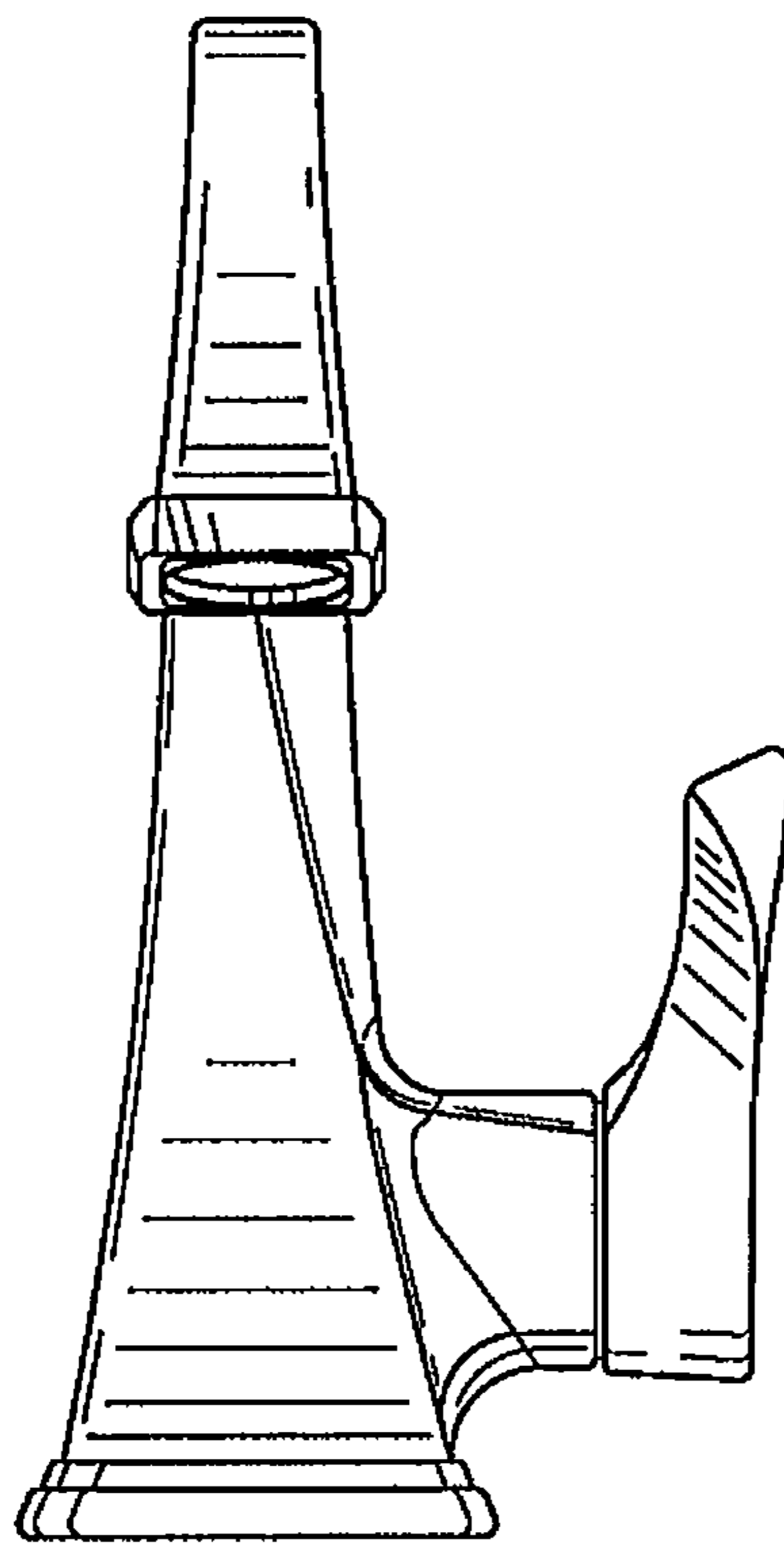


Fig-2

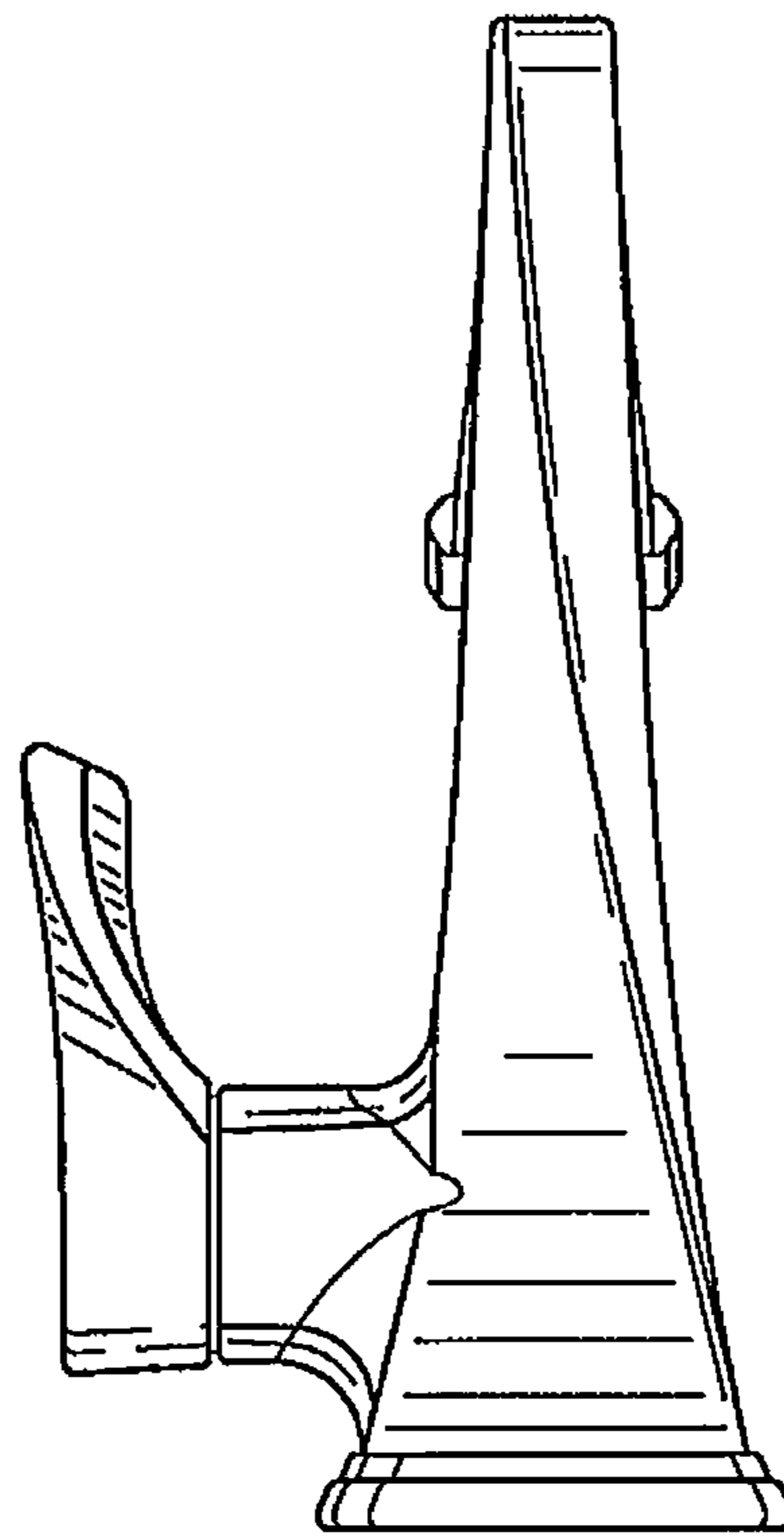


Fig-3

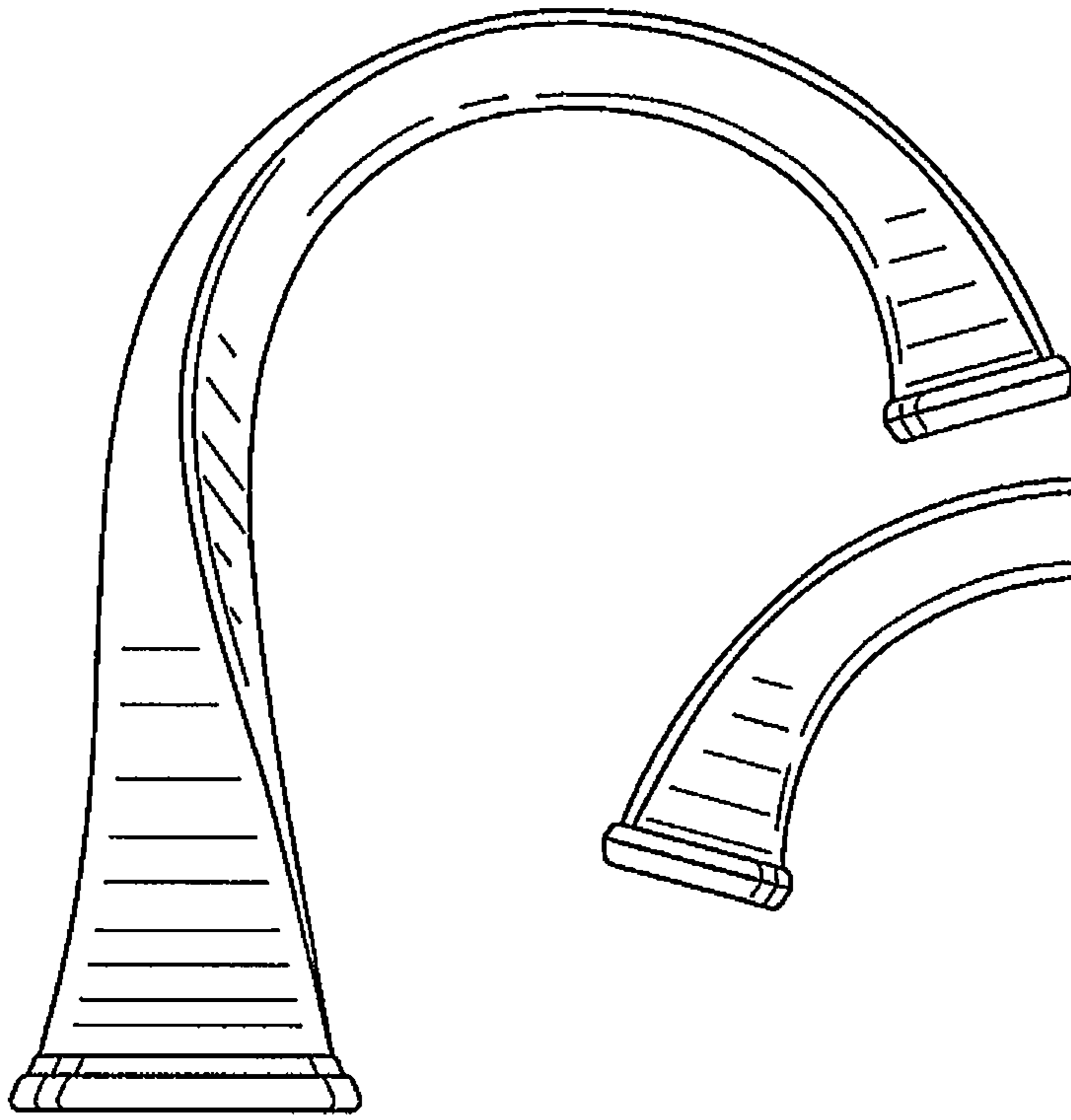


Fig-4

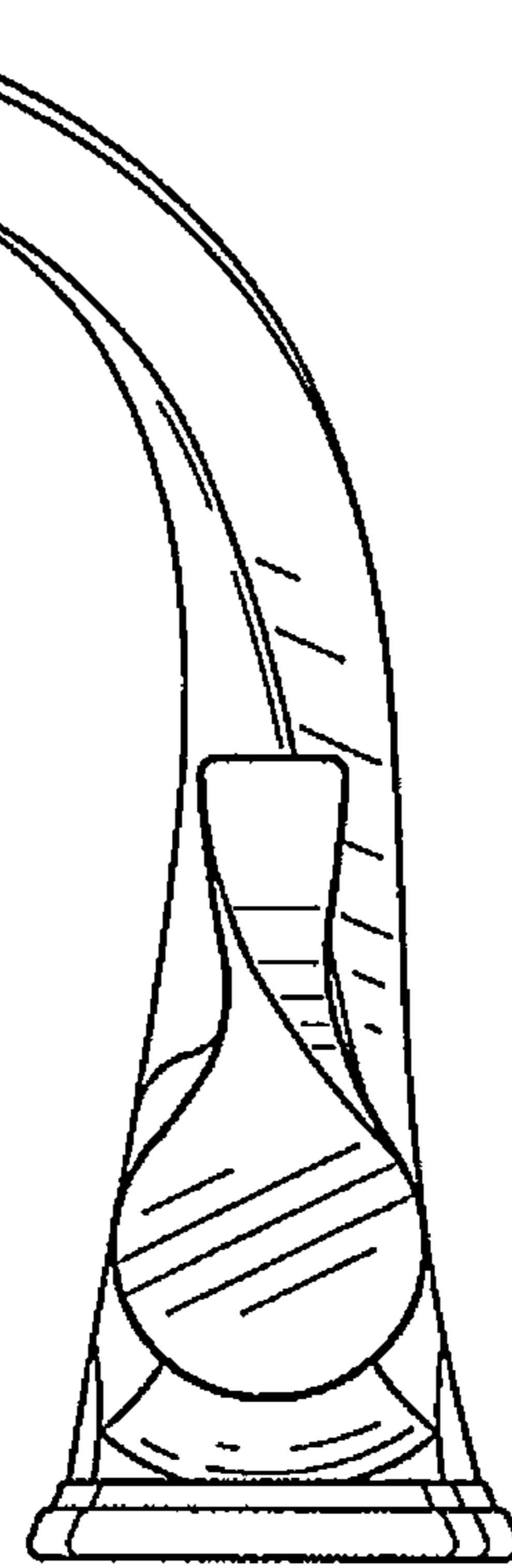


Fig-5

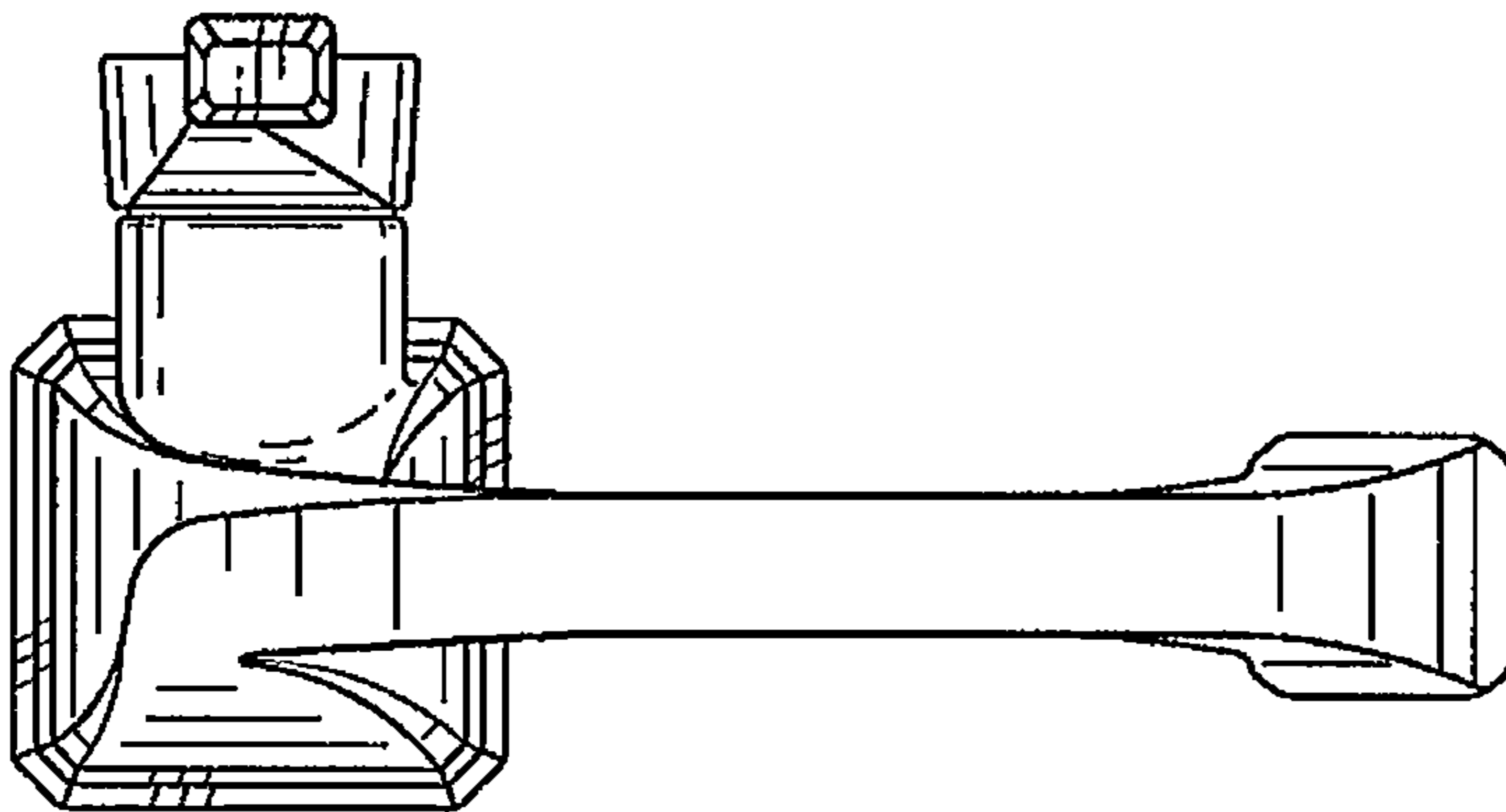


Fig-6

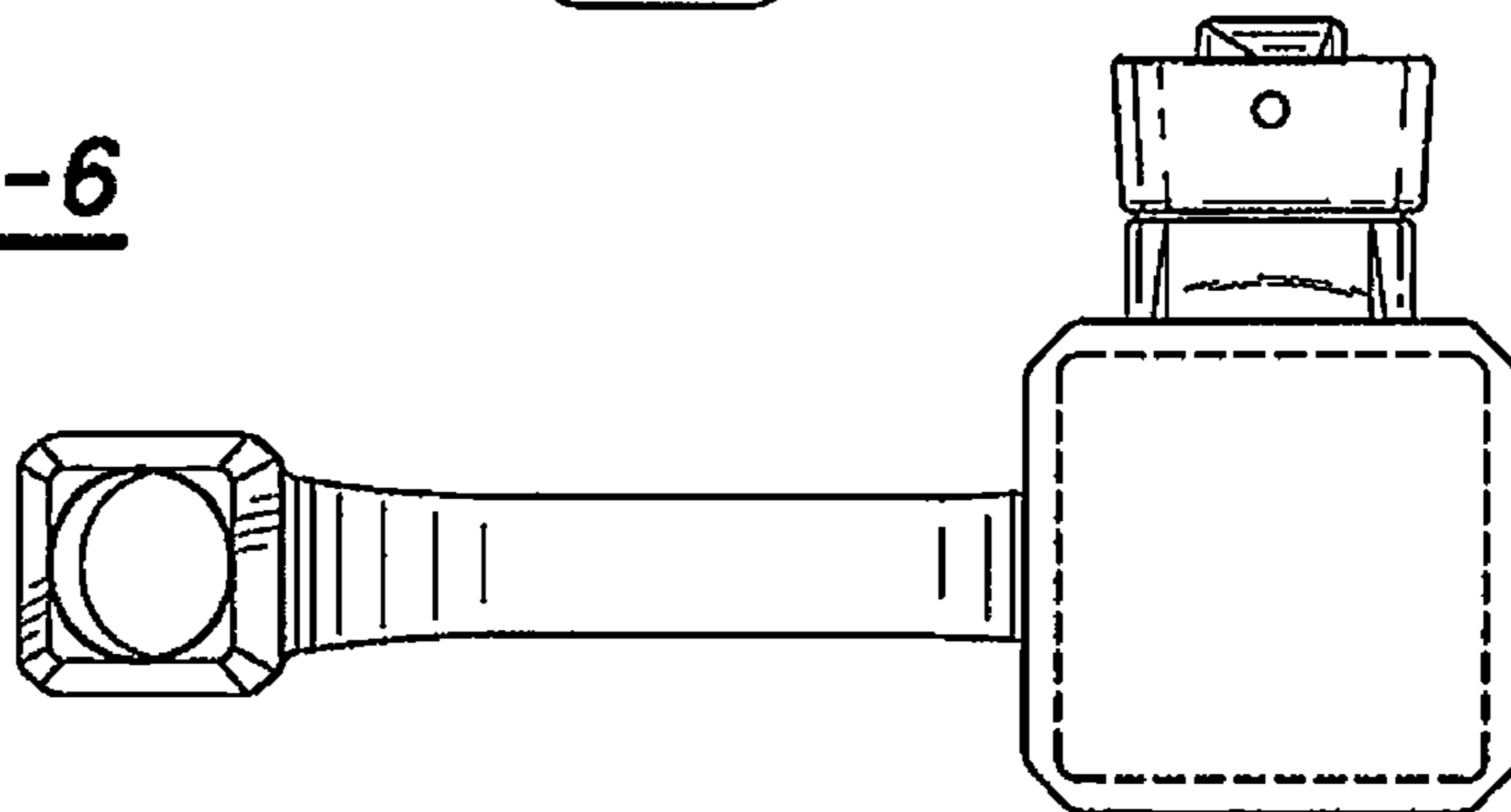


Fig-7