



US00D681163S

(12) **United States Design Patent**
Asaba

(10) **Patent No.:** **US D681,163 S**
(45) **Date of Patent:** **** Apr. 30, 2013**

- (54) **FLUID PRESSURE CYLINDER WITH PLATE**
- (75) Inventor: **Tsuyoshi Asaba, Abiko (JP)**
- (73) Assignee: **SMC Kabushiki Kaisha, Tokyo (JP)**
- (**) Term: **14 Years**
- (21) Appl. No.: **29/385,489**
- (22) Filed: **Feb. 15, 2011**
- (51) **LOC (9) Cl.** **23-01**
- (52) **U.S. Cl.**
USPC **D23/233; D10/85**
- (58) **Field of Classification Search** **D23/233-237;**
D10/85; 92/165 R, 166; 137/884, 885; 251/129.01,
251/129.15
See application file for complete search history.

(56) **References Cited**

U.S. PATENT DOCUMENTS

5,555,789	A *	9/1996	Rosengren et al.	92/165 R
D386,431	S *	11/1997	Nagai et al.	D10/94
D386,702	S *	11/1997	Nagai et al.	D10/94
D439,533	S *	3/2001	Wakasugi et al.	D10/85
D461,733	S	8/2002	Iida		
D556,861	S *	12/2007	Yokohari	D23/233
D606,629	S *	12/2009	Tokumoto	D23/233
7,836,816	B2	11/2010	Tokumoto		
D636,460	S *	4/2011	Hayashi	D23/233
D660,191	S *	5/2012	Asaba	D10/85
D667,532	S *	9/2012	Asaba	D23/233

FOREIGN PATENT DOCUMENTS

JP D0933381 S 8/1995

OTHER PUBLICATIONS

U.S. Appl. No. 29/385,493; Inventor: Tsuyoshi Asaba; Title: "Fluid Pressure Cylinder With Plate"; filed Feb. 15, 2011.
U.S. Appl. No. 29/385,495; Inventor: Tsuyoshi Asaba; Title: "Fluid Pressure Cylinder With Plate"; filed Feb. 15, 2011.

Japanese Office Action dated Oct. 18, 2011 (and English translation thereof) in Japanese Application No. 2011-000996, which is a Japanese counterpart of related U.S. Appl. No. 29/385,493.
Japanese Office Action dated Oct. 18, 2011 (and English translation thereof) in Japanese Application No. 2011-000997, which is a Japanese counterpart of related U.S. Appl. No. 29/385,495.

* cited by examiner

Primary Examiner — Robin V Webster

(74) *Attorney, Agent, or Firm* — Holtz, Holtz, Goodman & Chick, P.C.

(57) **CLAIM**

The ornamental design for a fluid pressure cylinder with plate, as shown and described.

DESCRIPTION

FIG. 1 is a top, rear and left-side perspective view of a fluid pressure cylinder with plate showing a first embodiment of my new design;
FIG. 2 is a bottom, rear and right-side perspective view thereof;
FIG. 3 is a front view thereof;
FIG. 4 is a rear view thereof;
FIG. 5 is a top plan view thereof;
FIG. 6 is a bottom plan view thereof;
FIG. 7 is a left side view thereof;
FIG. 8 is a right side view thereof;
FIG. 9 is a top, rear and left-side perspective view of a fluid pressure cylinder with plate showing a second embodiment of my new design;
FIG. 10 is a bottom, rear and right-side perspective view thereof;
FIG. 11 is a front view thereof;
FIG. 12 is a rear view thereof;
FIG. 13 is a top plan view thereof;
FIG. 14 is a bottom plan view thereof;
FIG. 15 is a left side view thereof; and,
FIG. 16 is a right side view thereof.

1 Claim, 16 Drawing Sheets

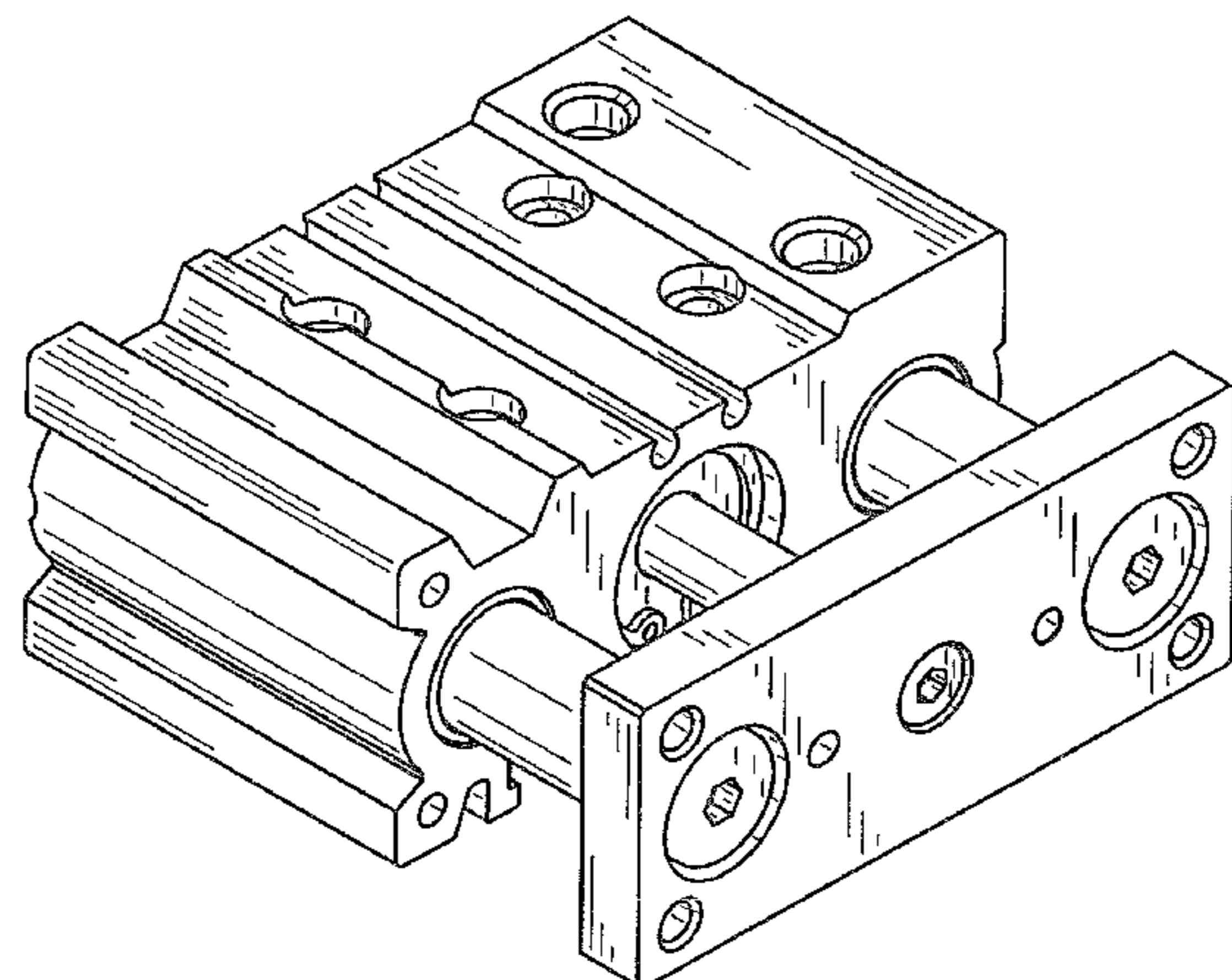
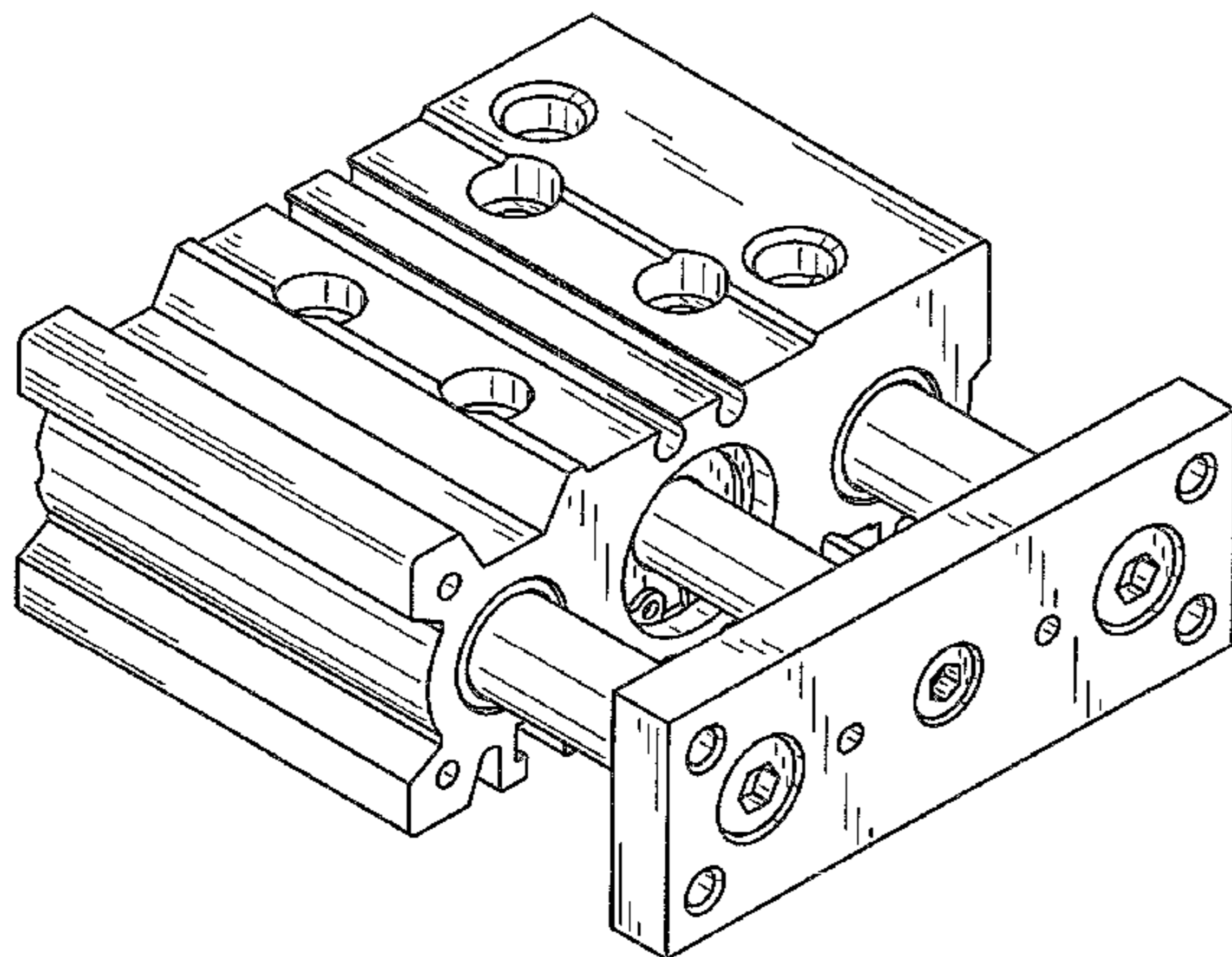


FIG. 1

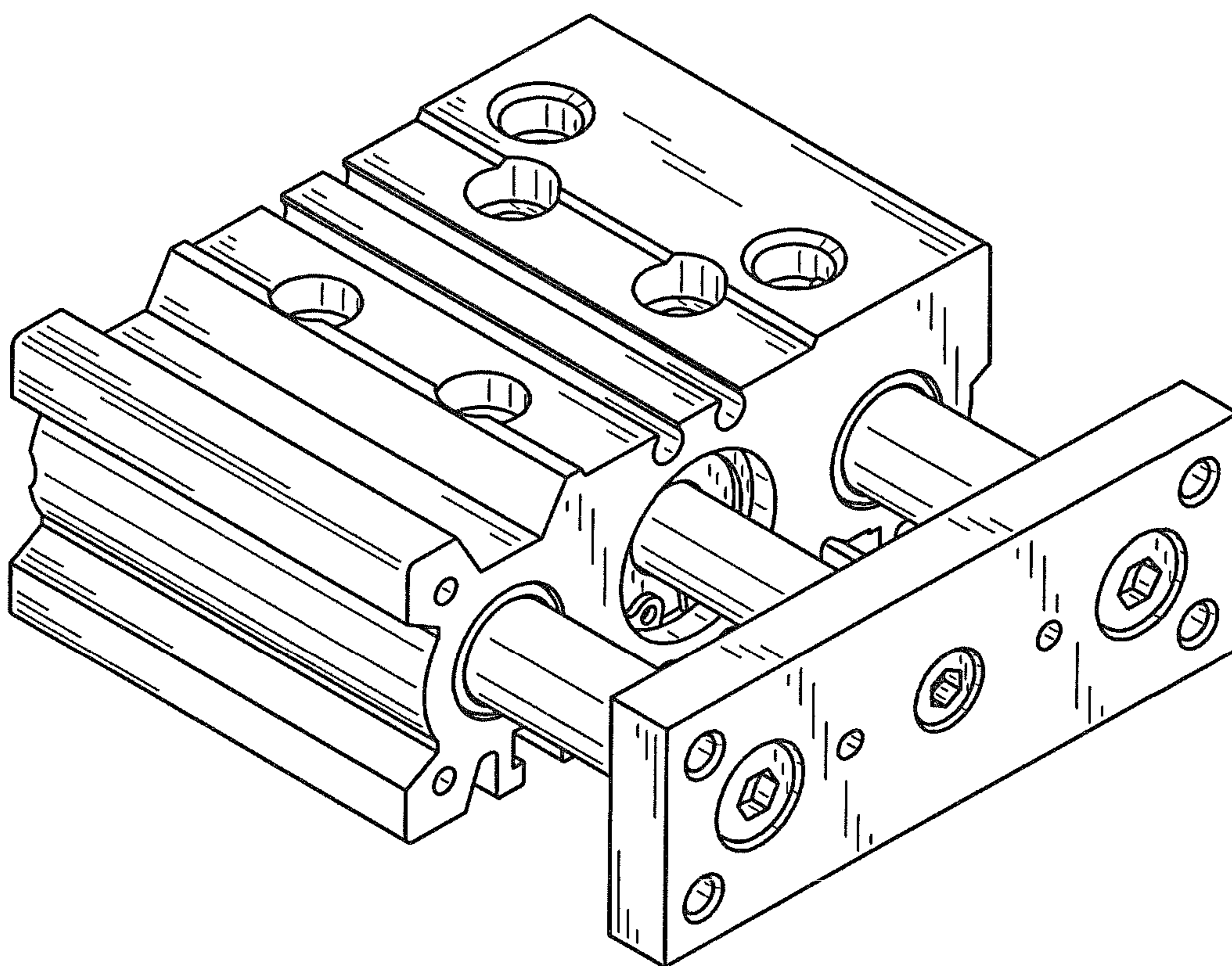


FIG. 2

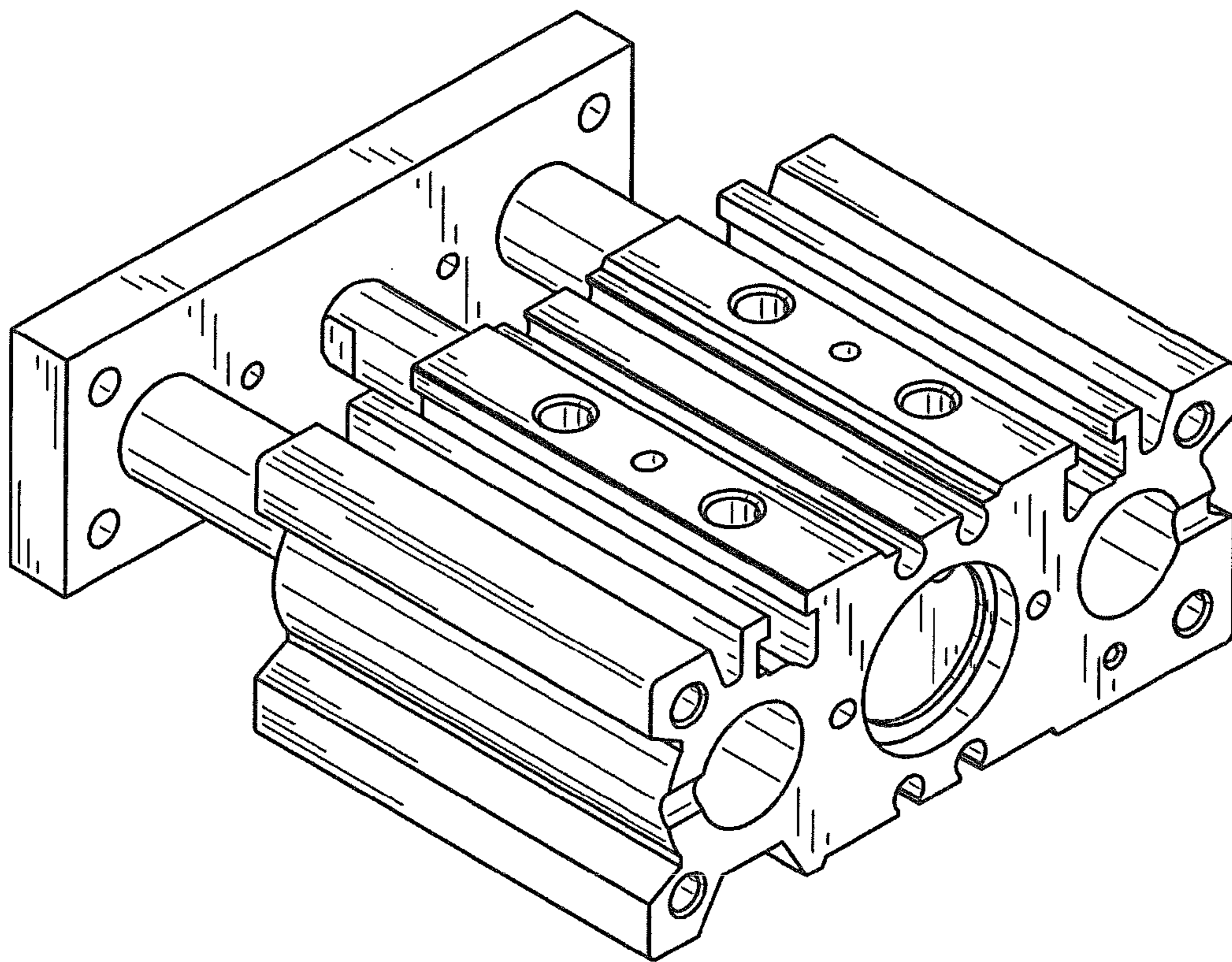


FIG. 3

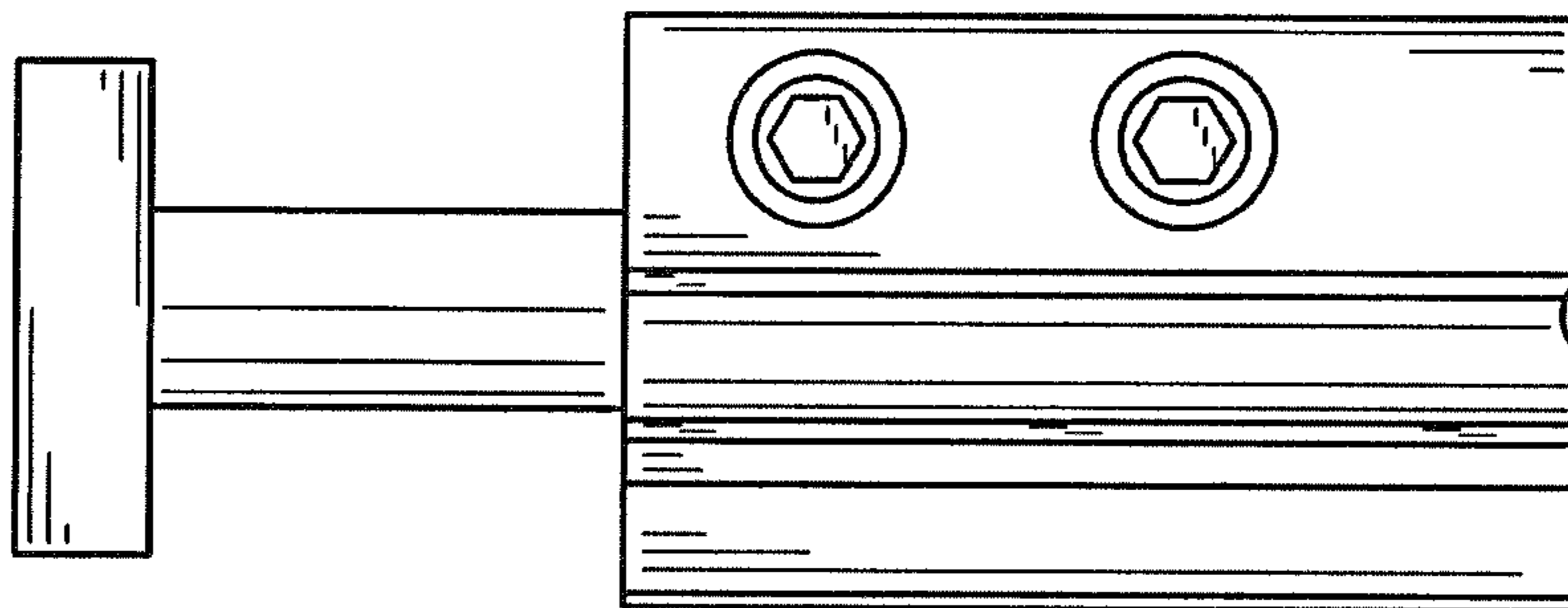


FIG. 4

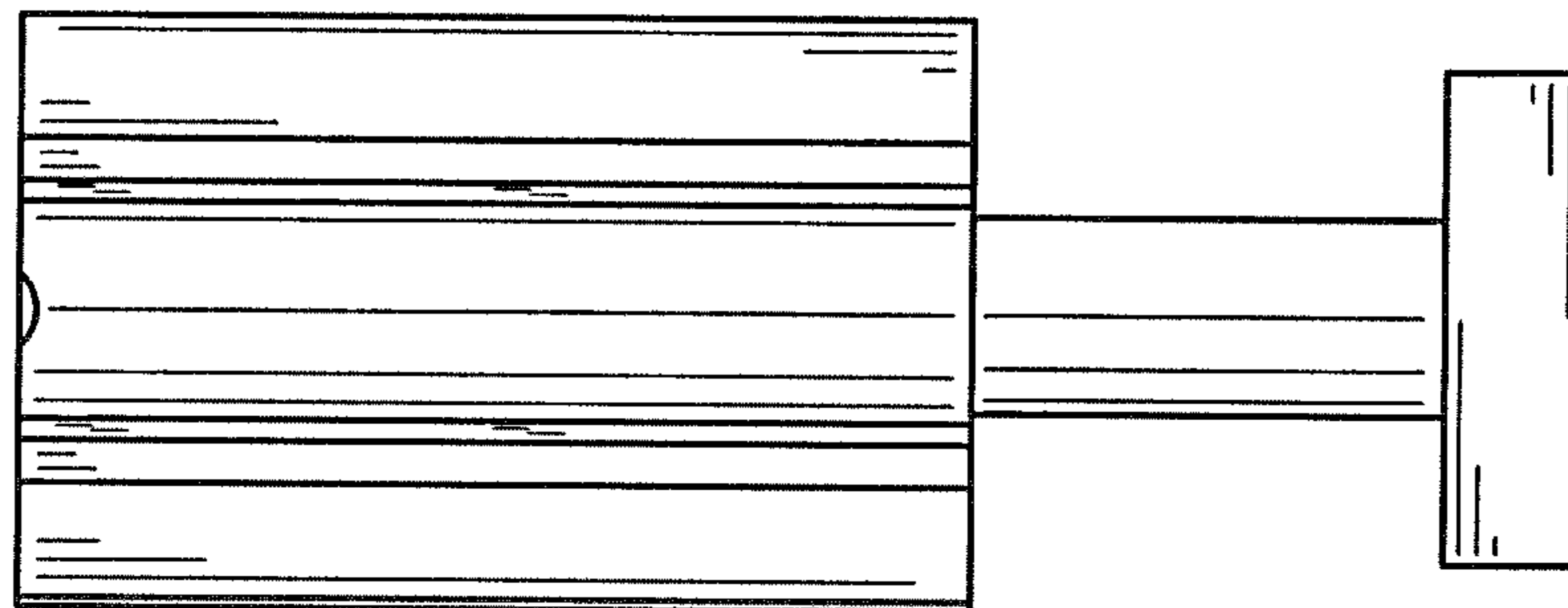


FIG. 5

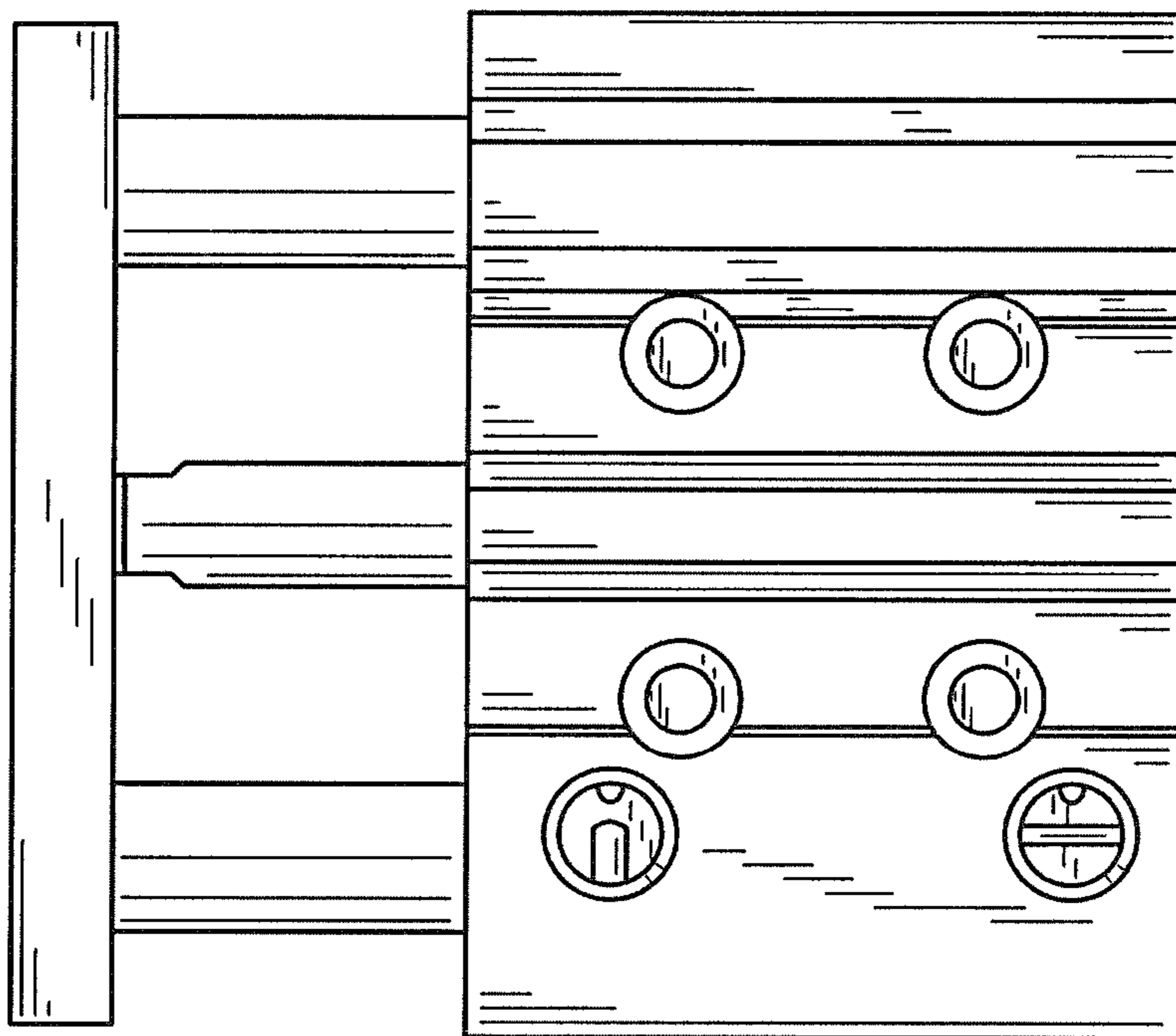


FIG. 6

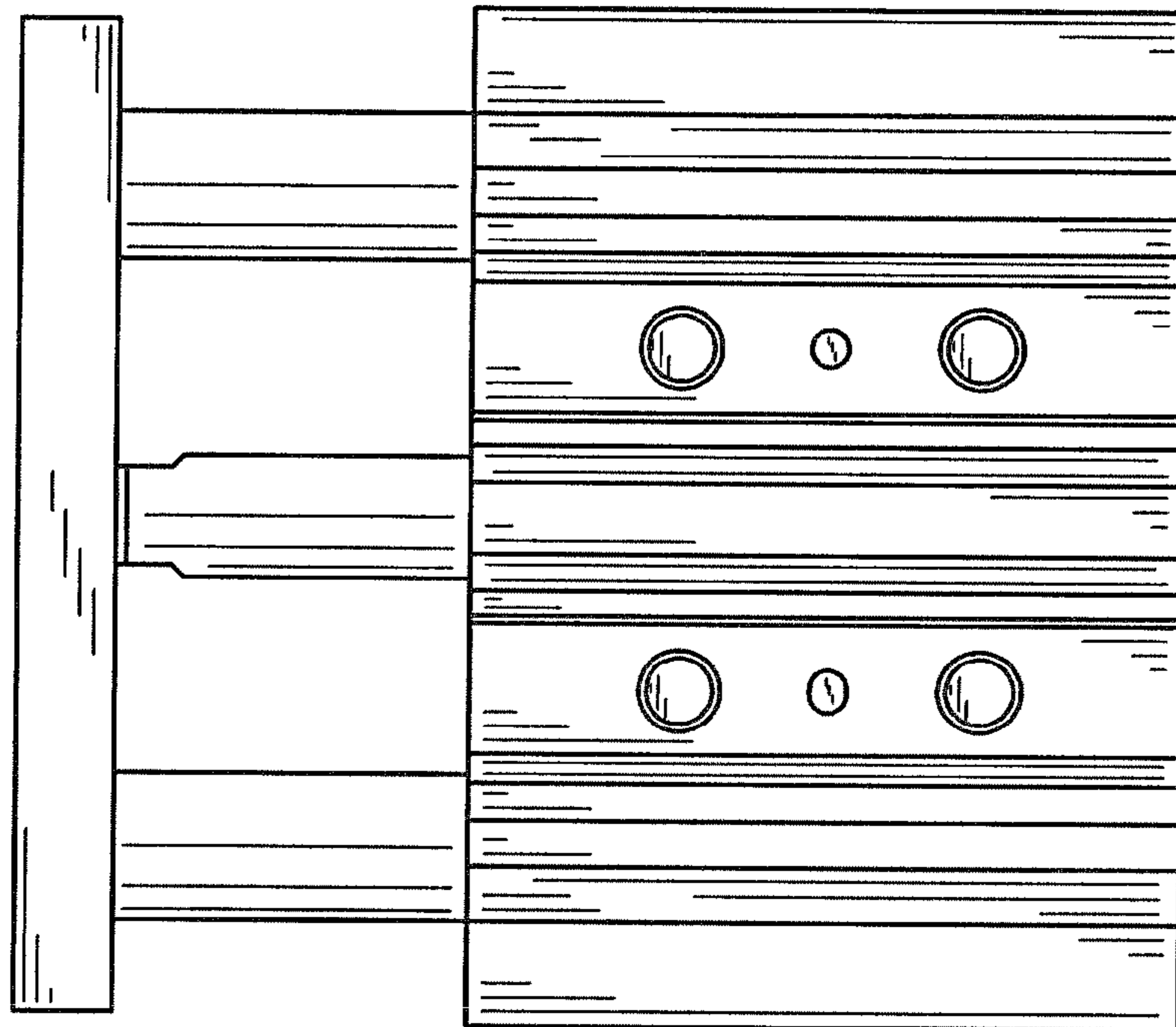


FIG. 7

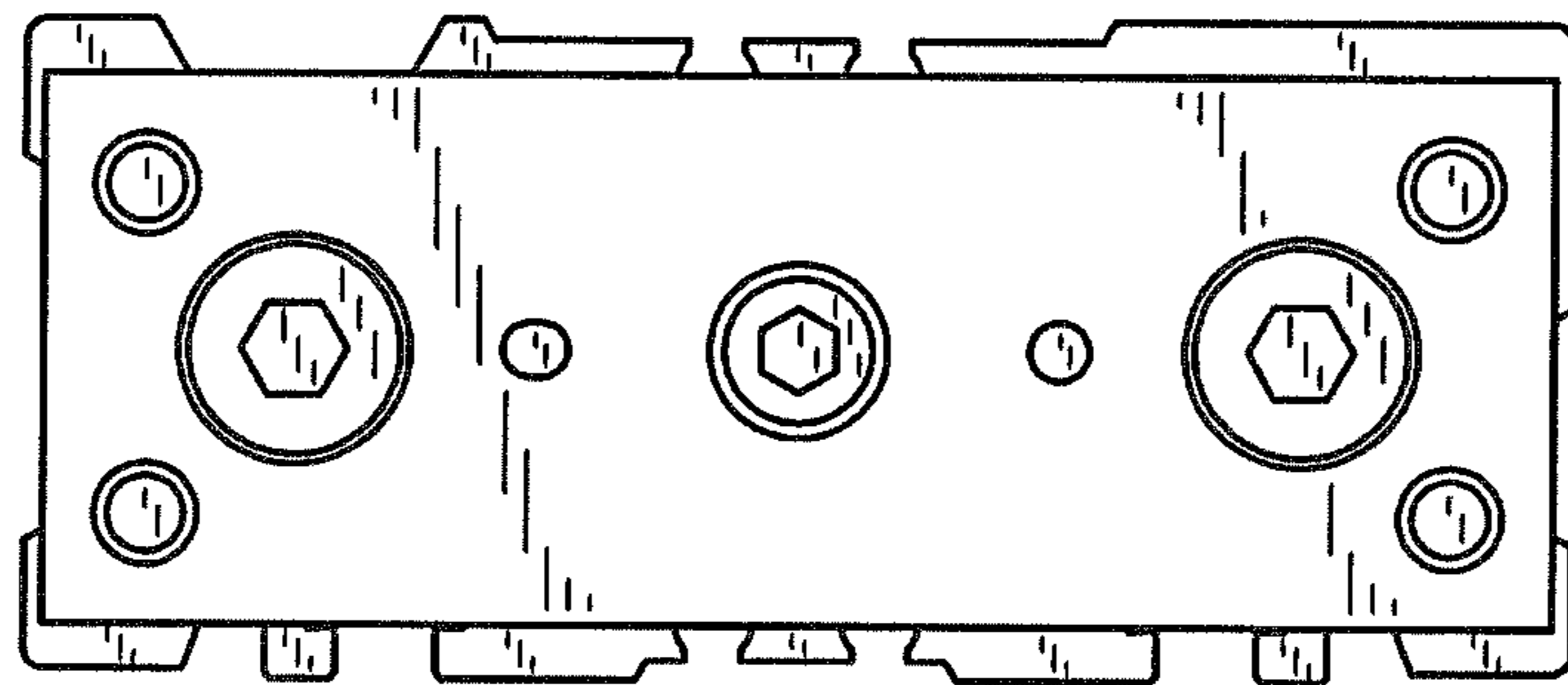


FIG. 8

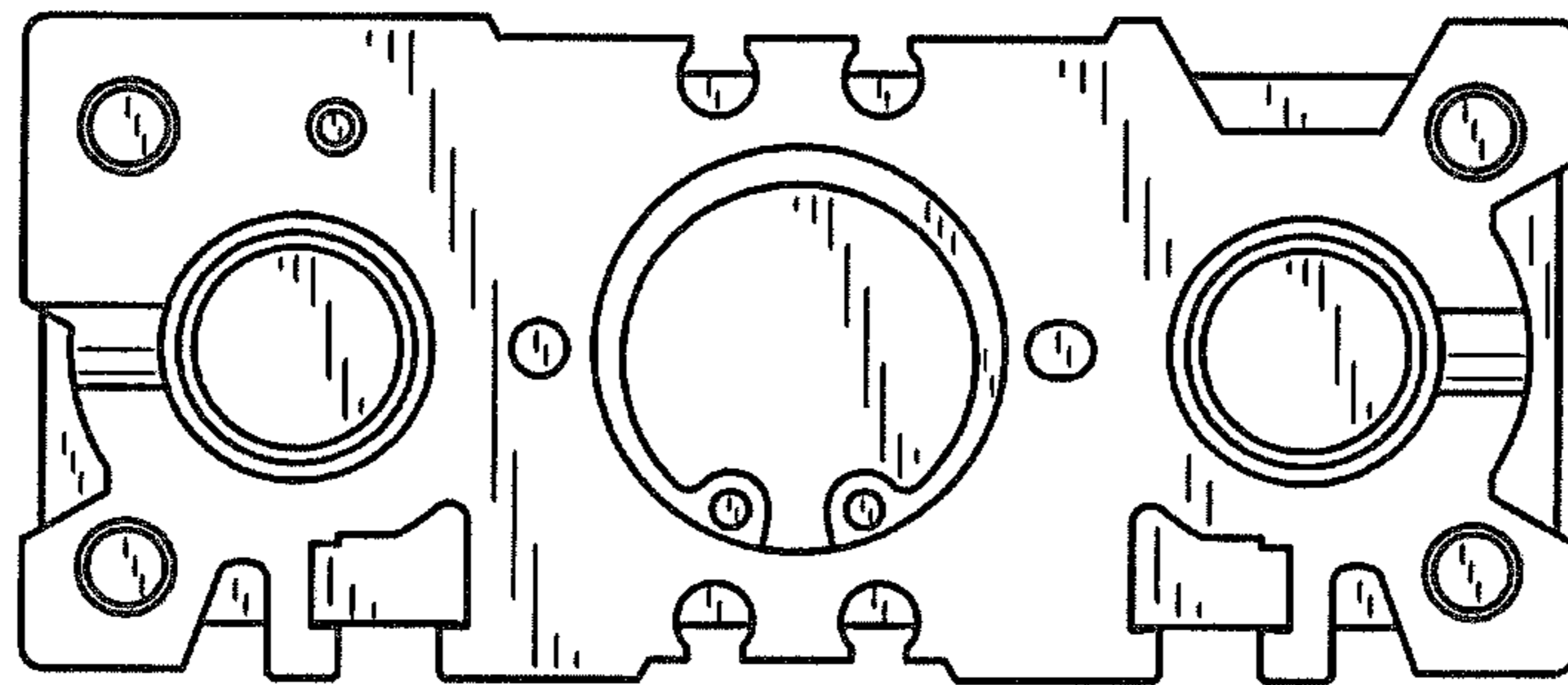


FIG. 9

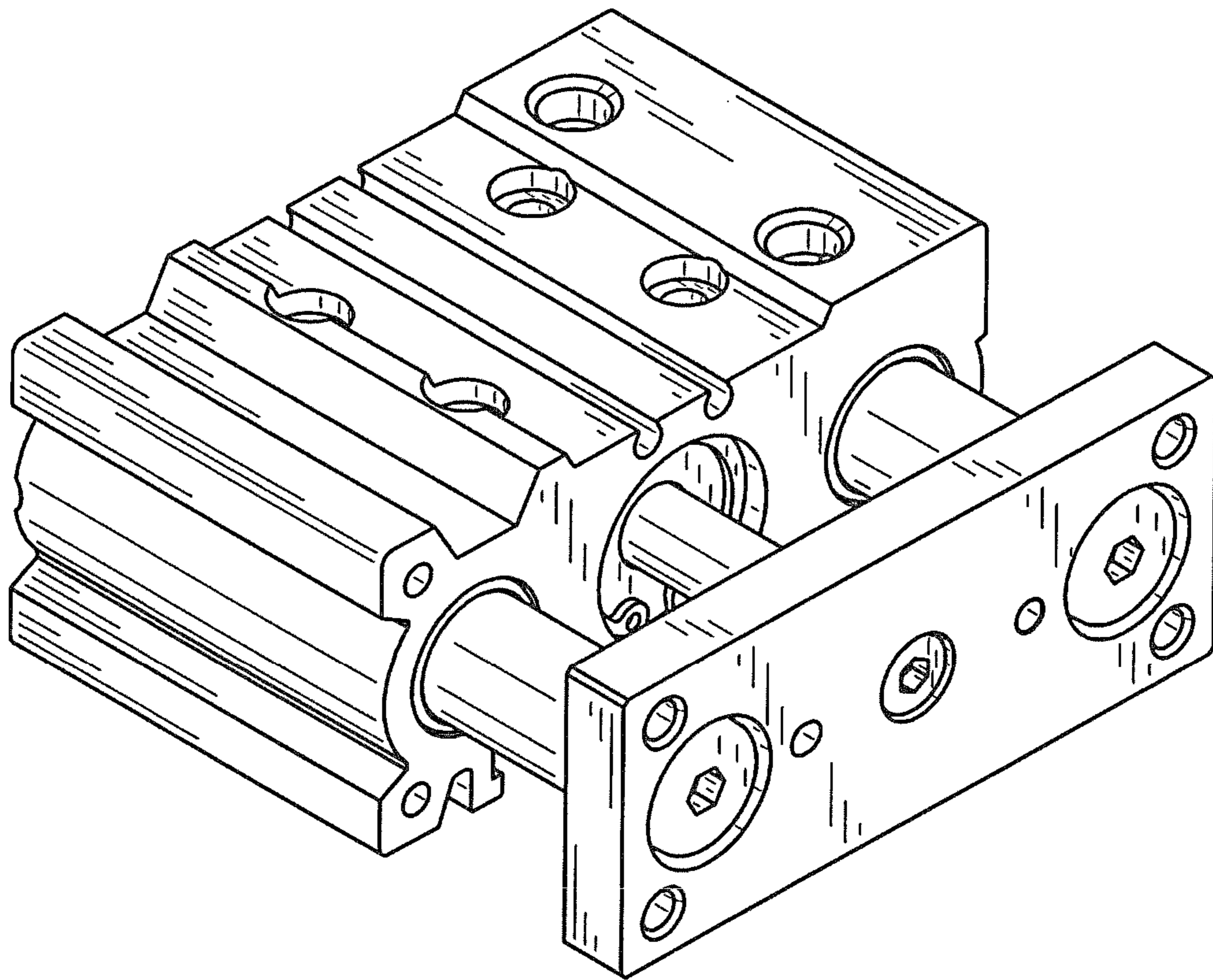


FIG. 10

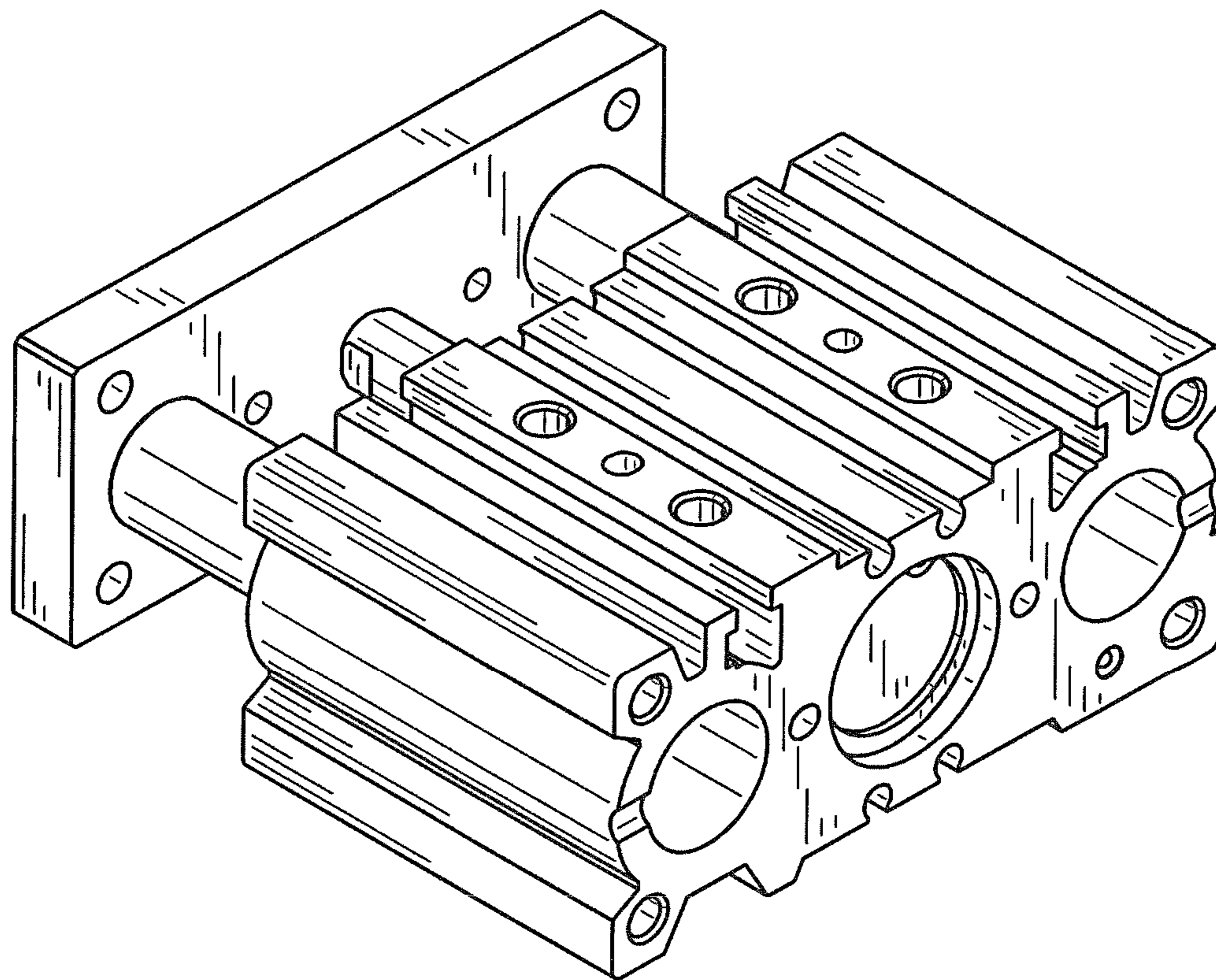


FIG. 11

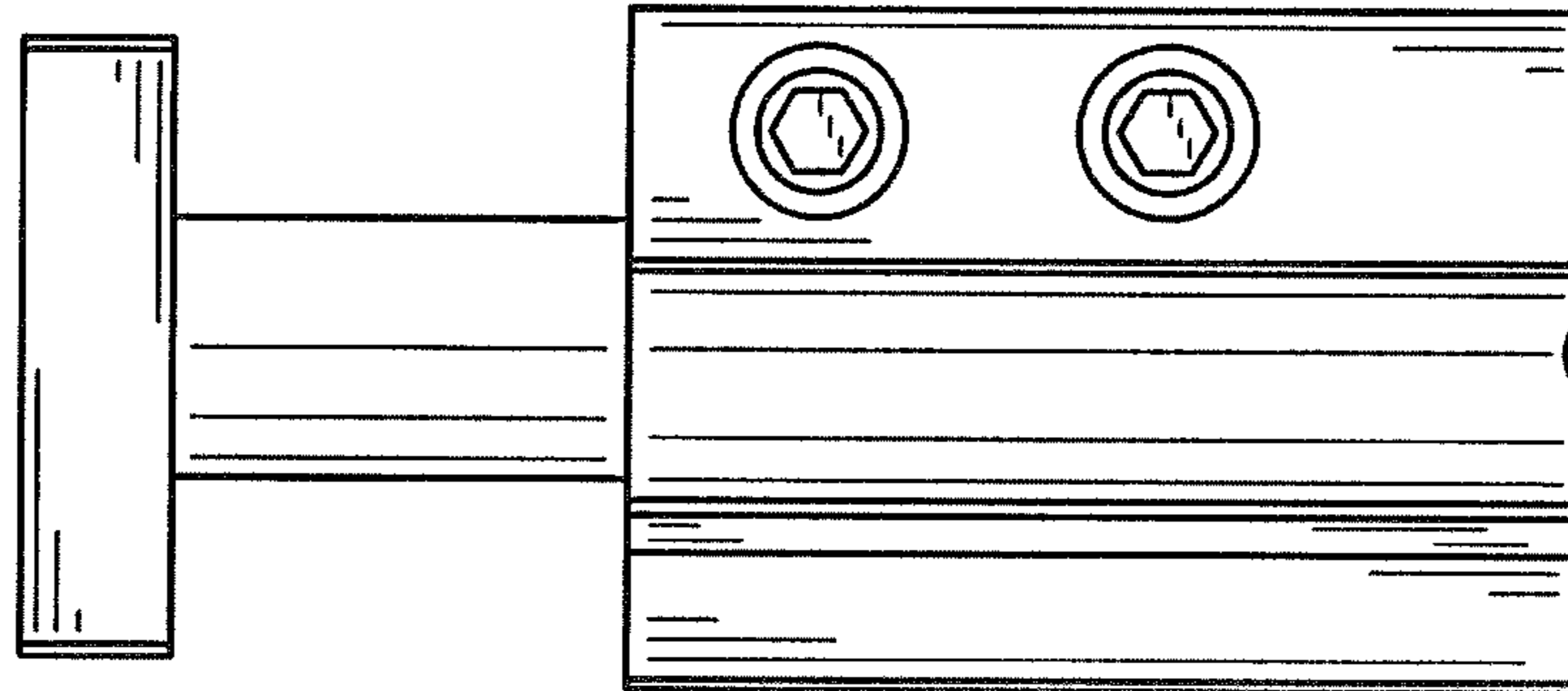


FIG. 12

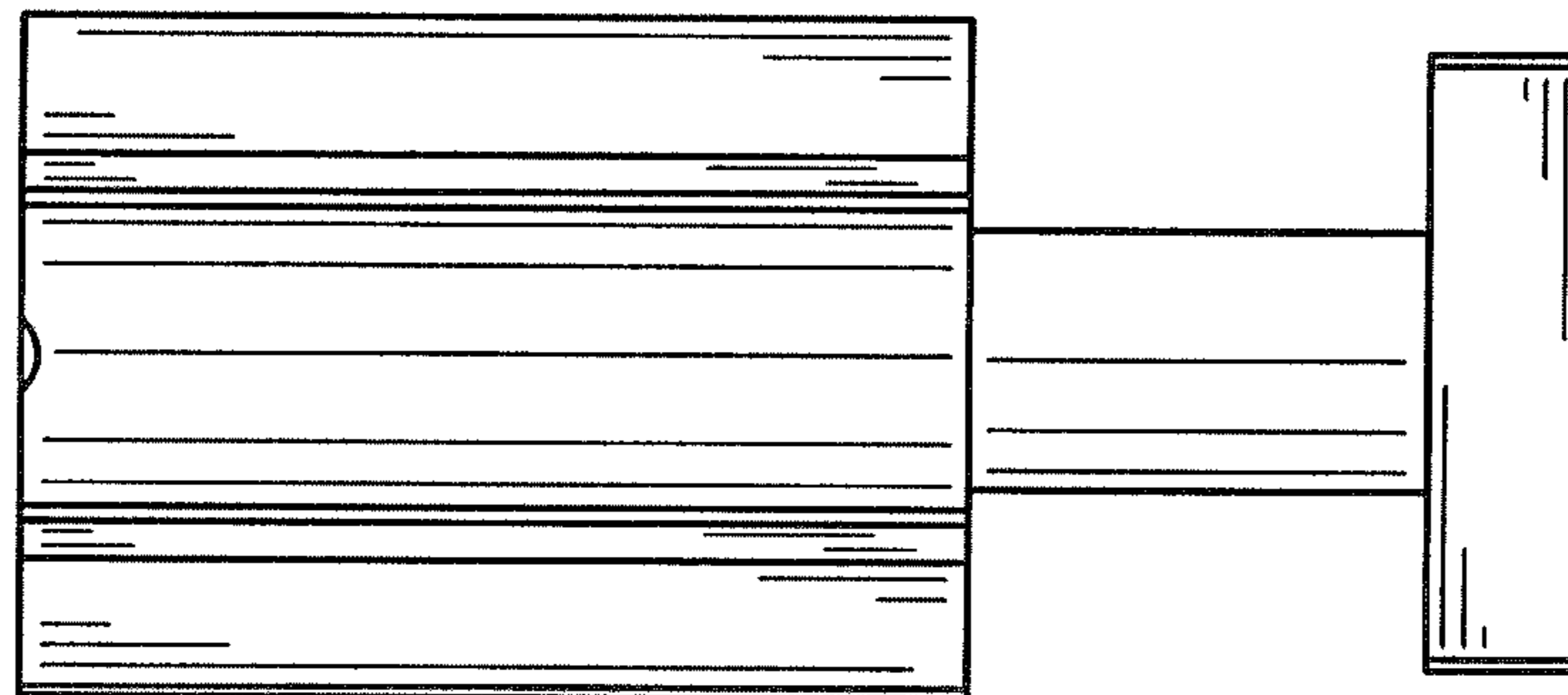


FIG. 13

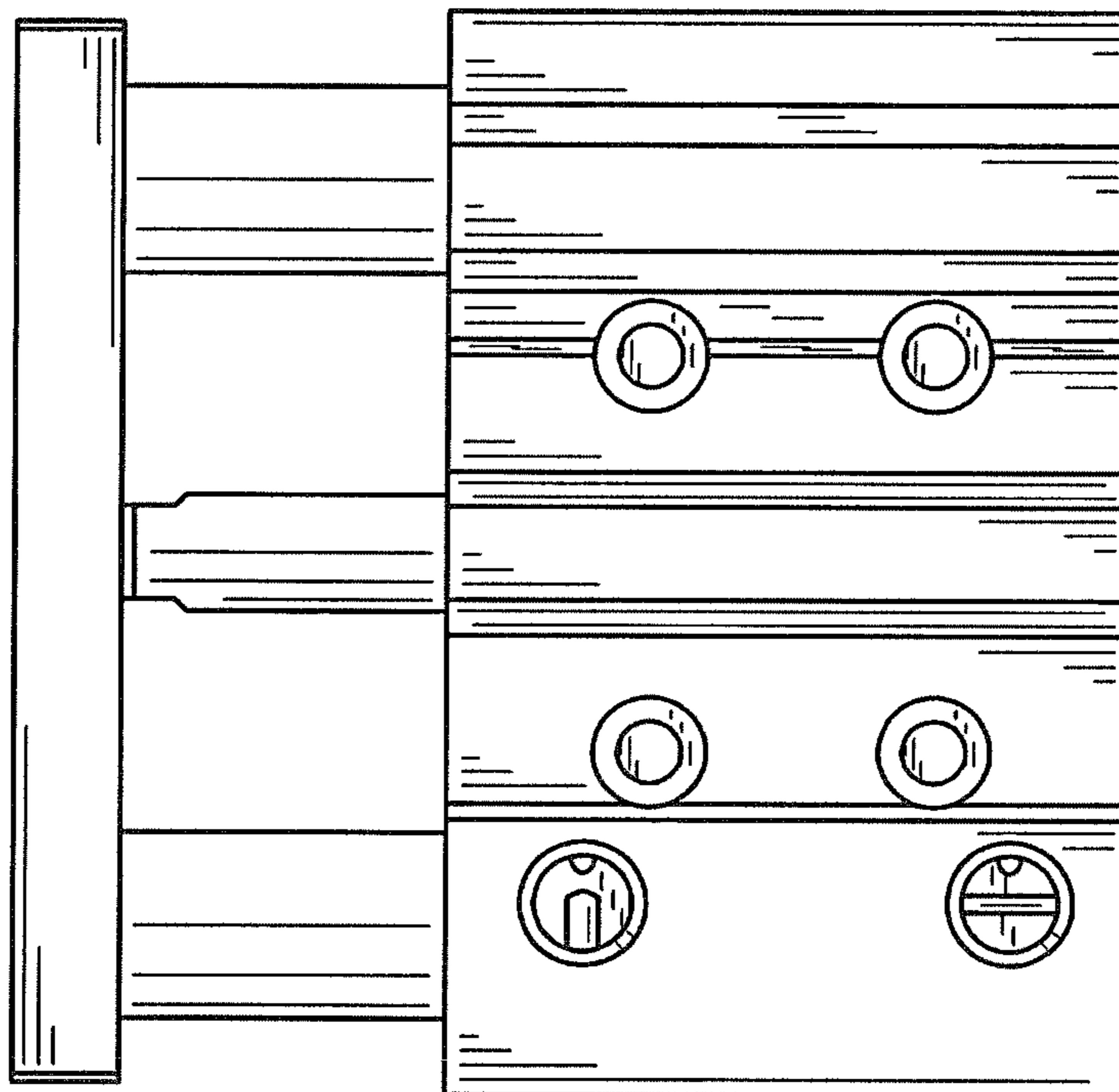


FIG. 14

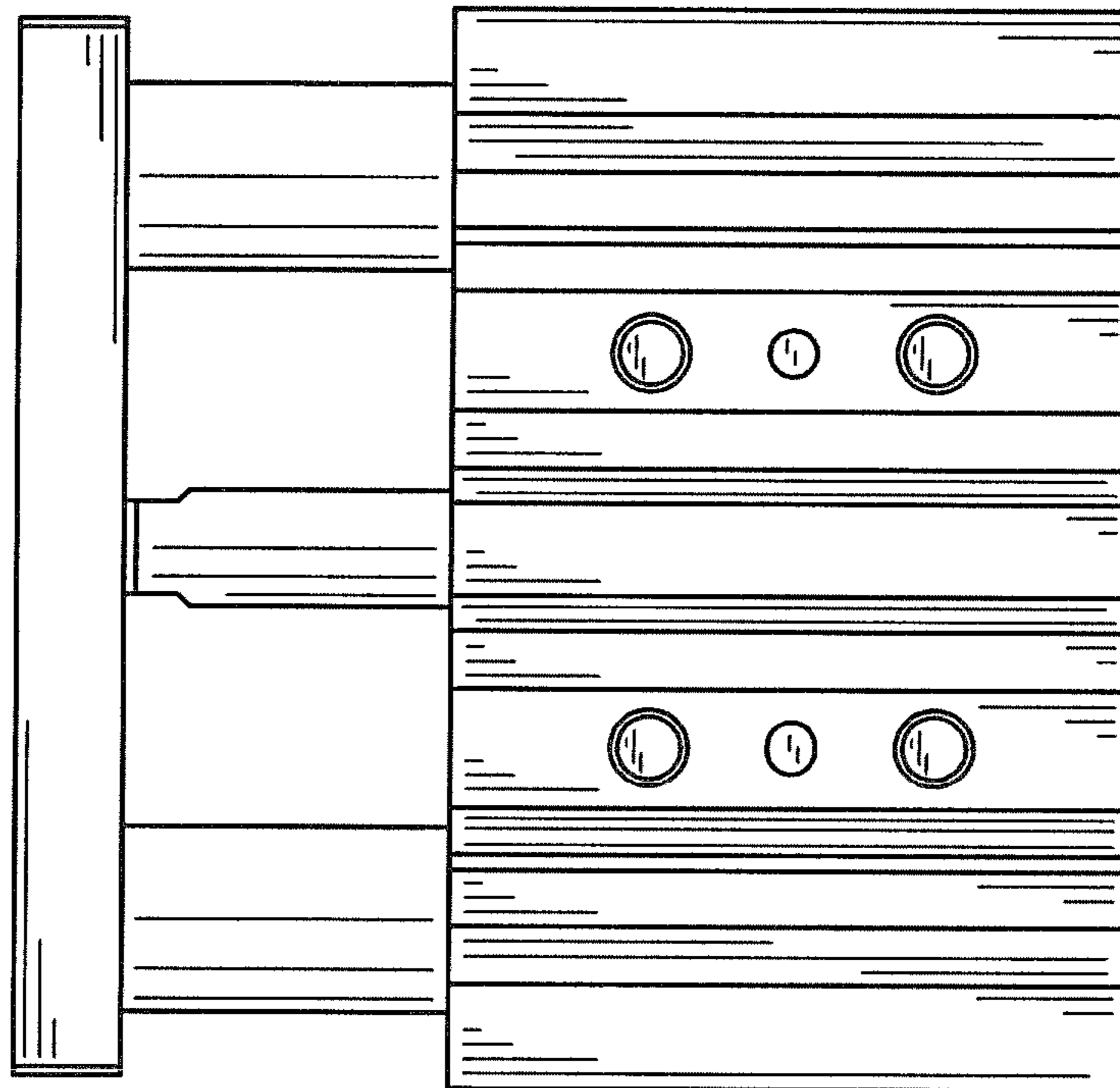


FIG. 15

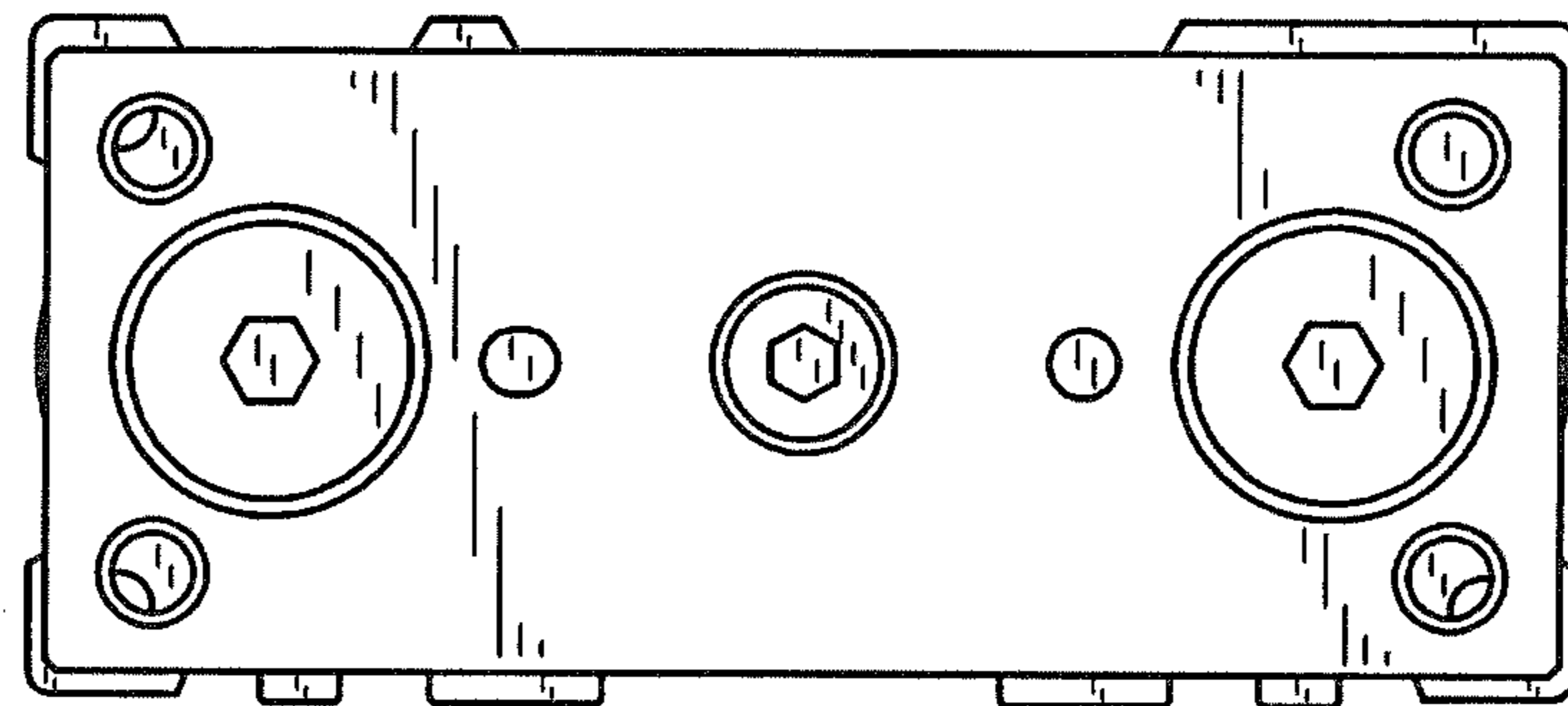


FIG. 16

