



US00D681160S

(12) **United States Design Patent**
Chen

(10) **Patent No.:** **US D681,160 S**

(45) **Date of Patent:** **** Apr. 30, 2013**

(54) **GARDENING SPRINKLER**

(75) Inventor: **Chin-Yuan Chen**, Changhua (TW)

(73) Assignee: **Shin Tai Spurt Water of the Garden Tools Co. Ltd.**, Changhua (TW)

(**) Term: **14 Years**

(21) Appl. No.: **29/425,667**

(22) Filed: **Jun. 26, 2012**

(51) **LOC (9) Cl.** **23-01**

(52) **U.S. Cl.**
USPC **D23/226**

(58) **Field of Classification Search** D23/213,
D23/223, 226; 239/525-527, 458, 459
See application file for complete search history.

(56) **References Cited**

U.S. PATENT DOCUMENTS

D558,302 S * 12/2007 Chih D23/226

* cited by examiner

Primary Examiner — Robin V Webster

(74) *Attorney, Agent, or Firm* — Che-Yang Chen; Law Office of Michael Chen

(57) **CLAIM**

The ornamental design for a gardening sprinkler, as shown and described.

DESCRIPTION

FIG. 1 is a perspective view of a gardening sprinkler showing my new design;

FIG. 2 is a front elevational view thereof;

FIG. 3 is a rear elevational view thereof;

FIG. 4 is a left side elevational view thereof;

FIG. 5 is a right side elevational view thereof;

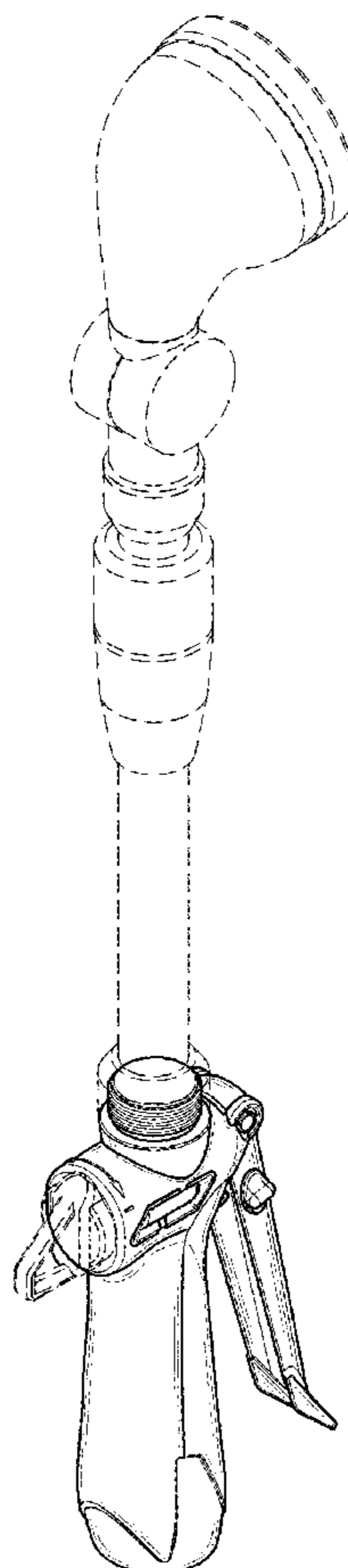
FIG. 6 is a top plan view thereof;

FIG. 7 is a bottom plan view thereof; and,

FIG. 8 is a perspective schematic view illustrating an application of a gardening sprinkler showing my design.

The broken lines in FIG. 8 are for illustrative purposes only and form no part of the claimed design.

1 Claim, 5 Drawing Sheets



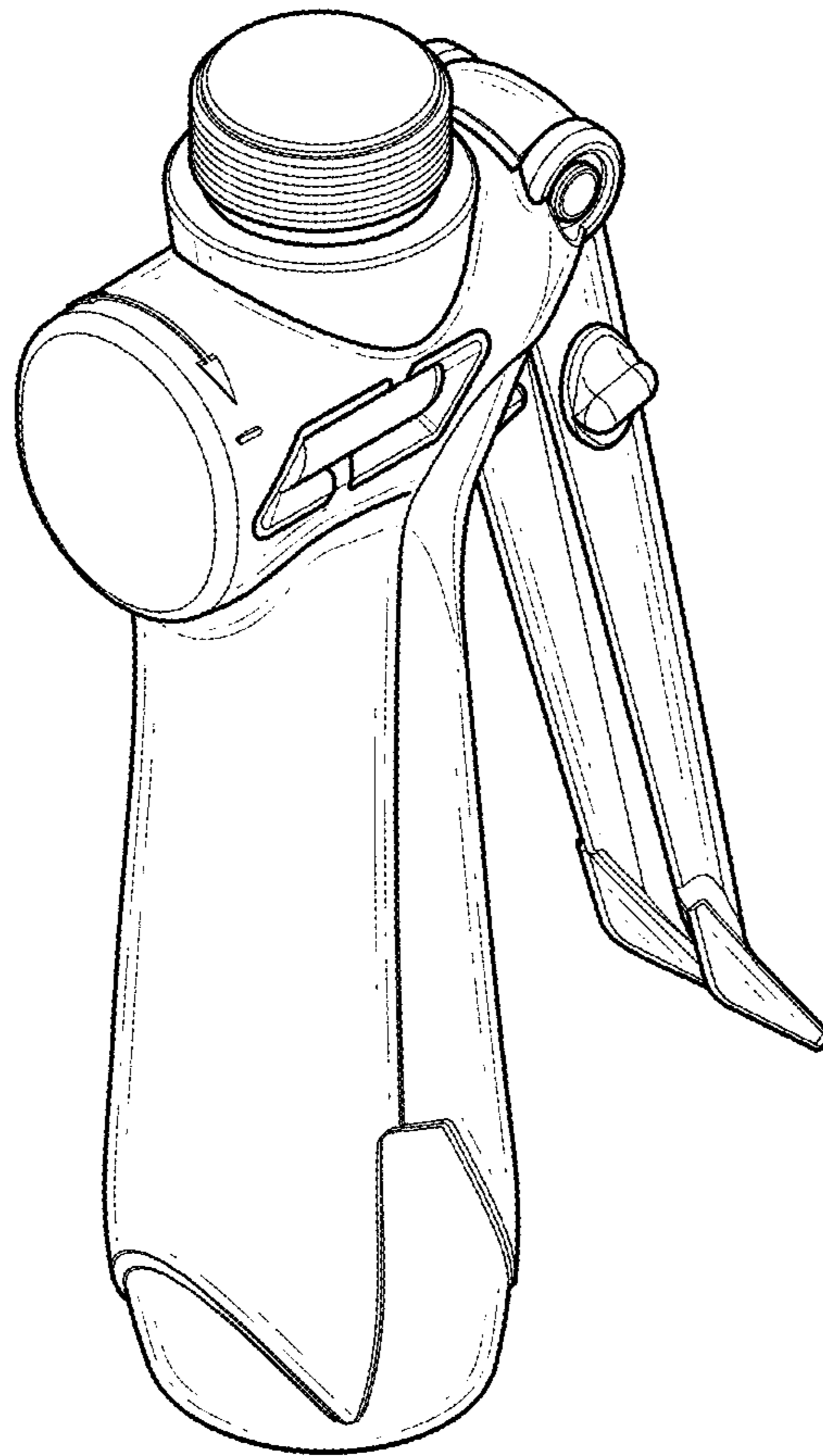


FIG. 1

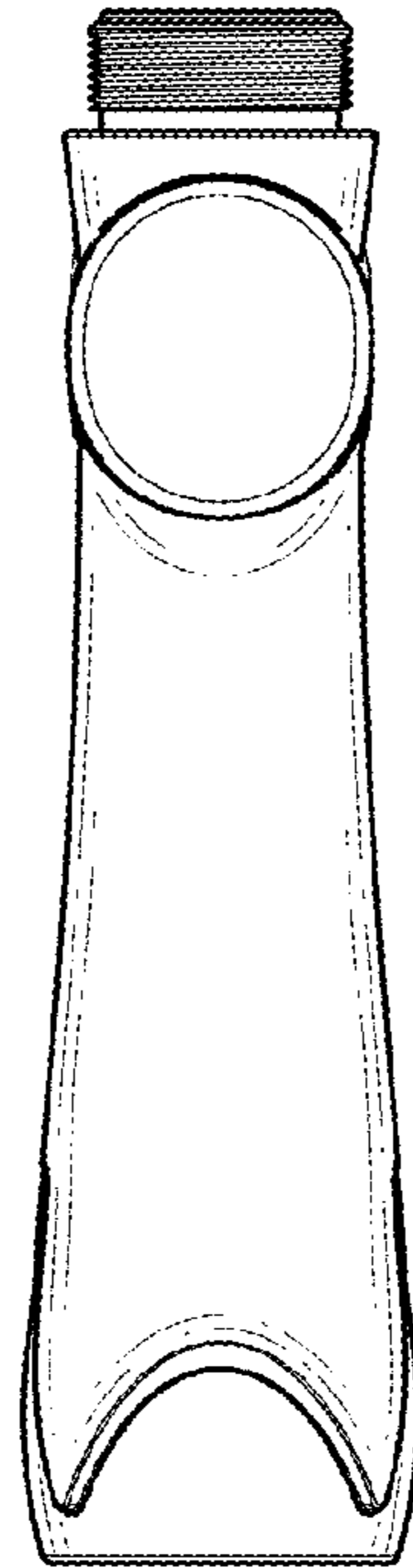


FIG. 2

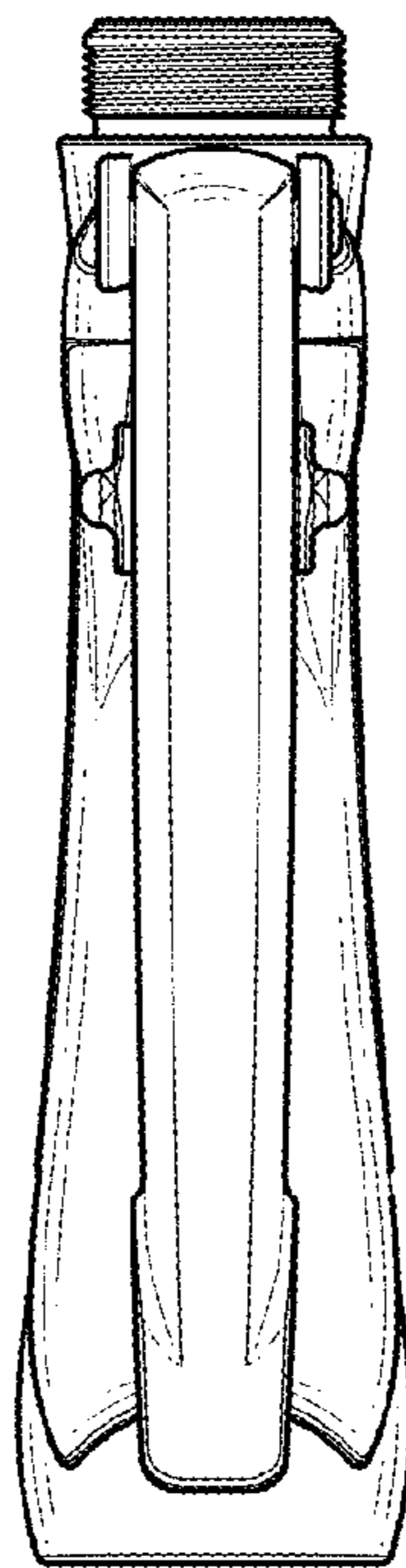


FIG. 3

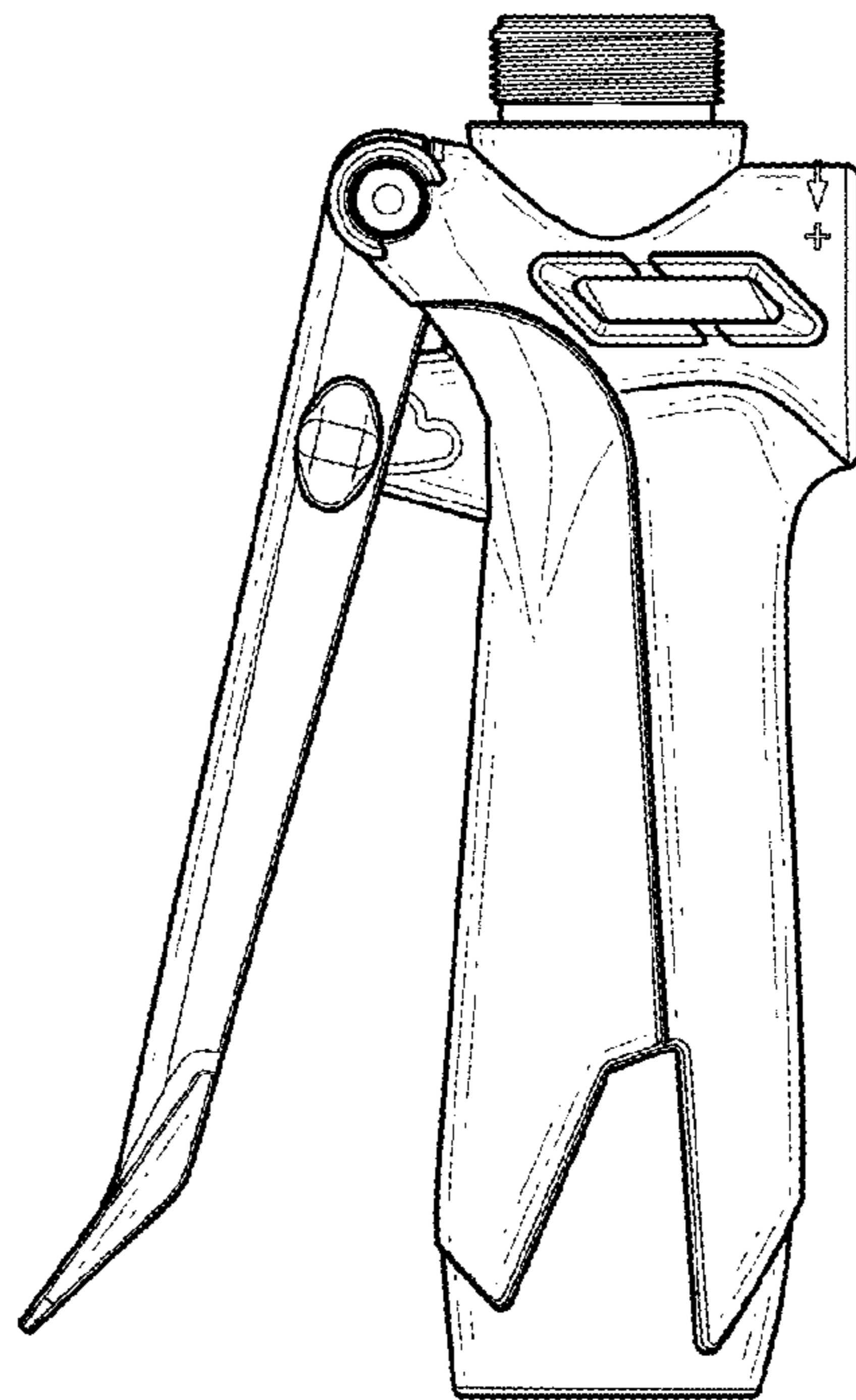


FIG. 4

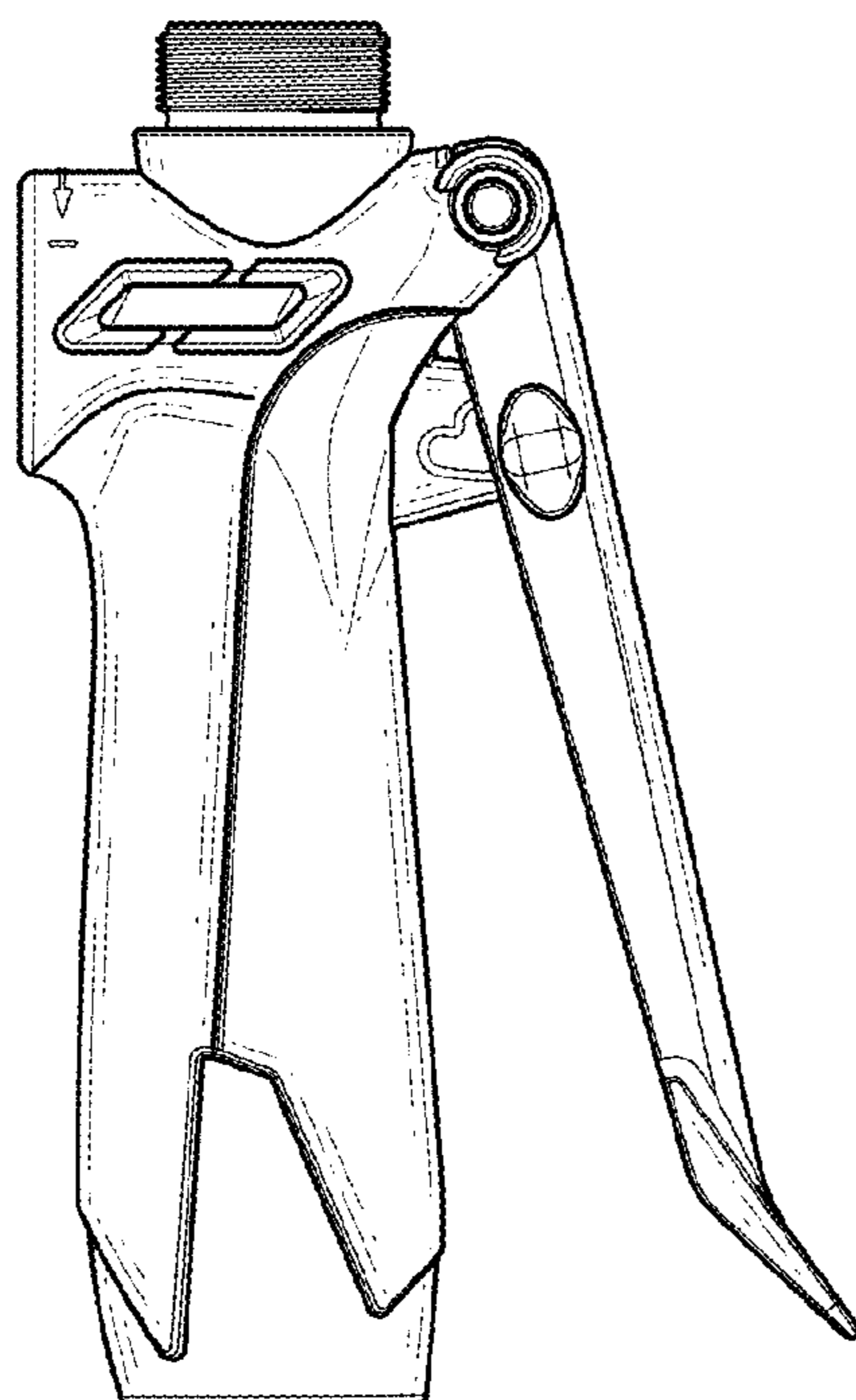


FIG. 5

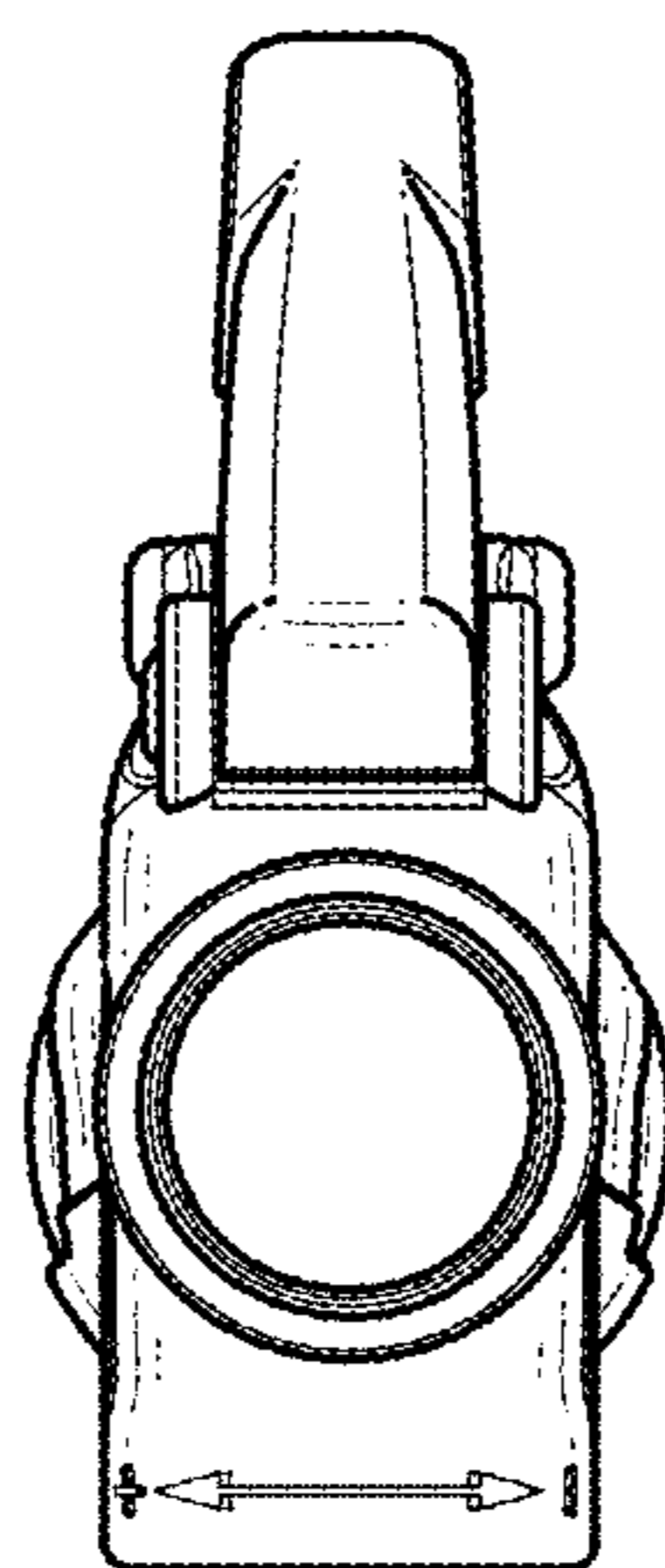


FIG. 6

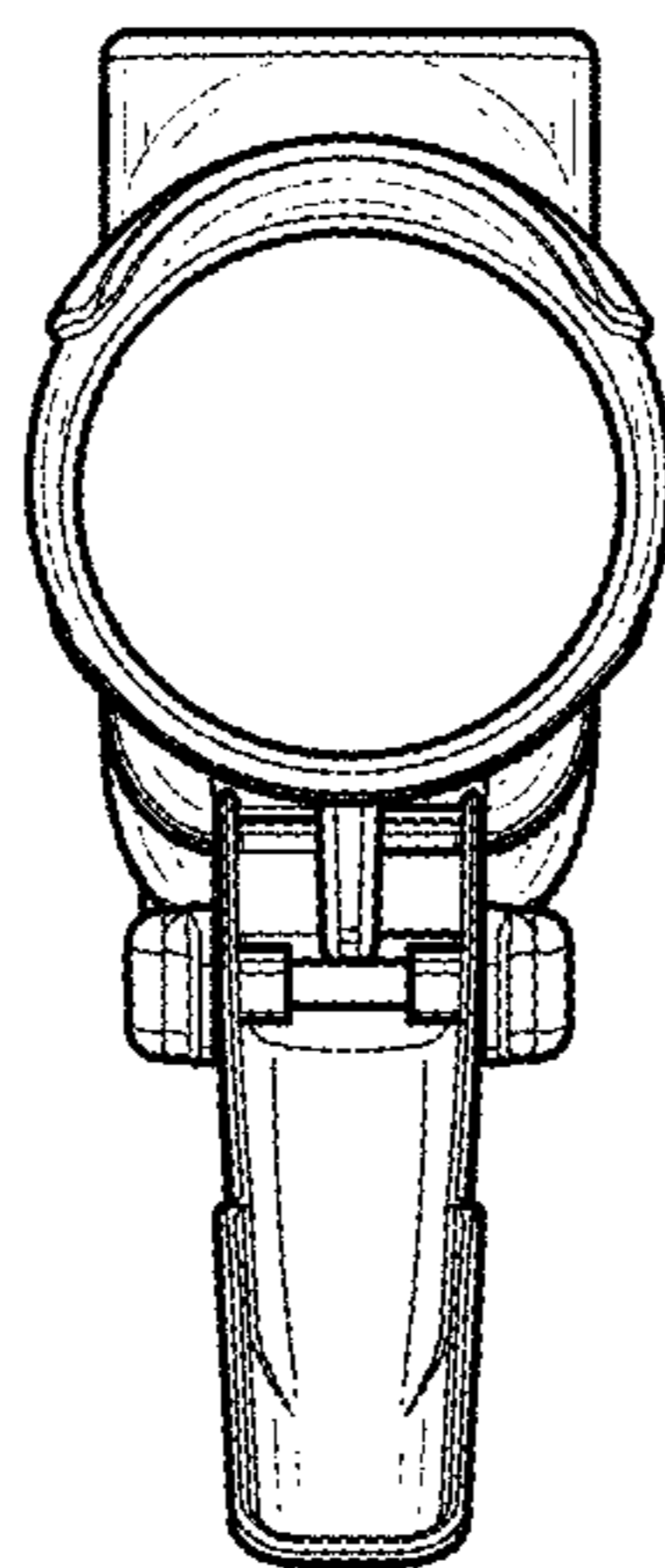


FIG. 7

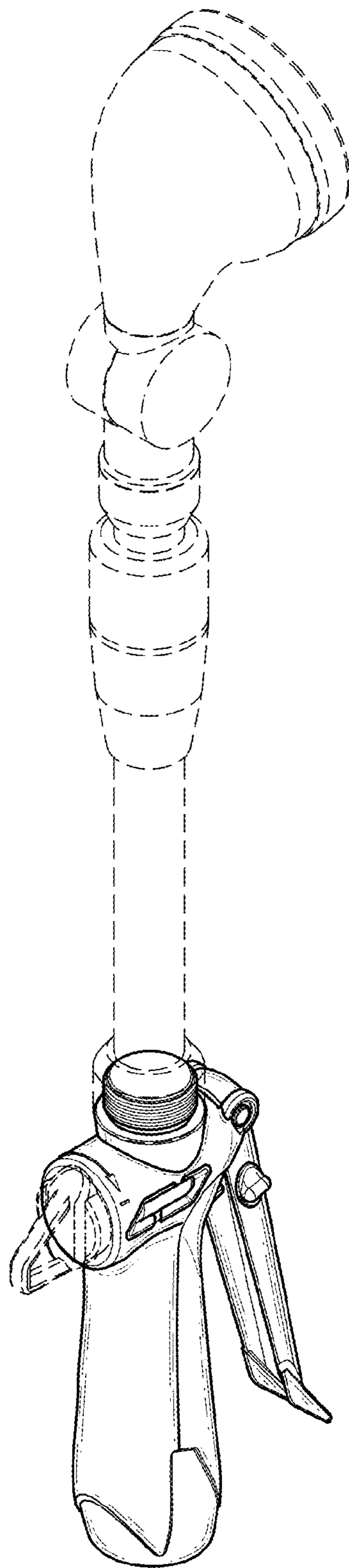


FIG. 8