



US00D681159S

(12) **United States Design Patent**  
**Ben-Horin et al.**

(10) **Patent No.:** **US D681,159 S**

(45) **Date of Patent:** **\*\* Apr. 30, 2013**

(54) **FLUID DISTRIBUTION EQUIPMENT**

(71) Applicants: **Ra'anan Ben-Horin**, Kibbutz Bet Zara (IL); **Alexey Slavinsky**, Kfar Hittim (IL)

(72) Inventors: **Ra'anan Ben-Horin**, Kibbutz Bet Zara (IL); **Alexey Slavinsky**, Kfar Hittim (IL)

(73) Assignee: **Amiad Water Systems Ltd.**, Kibbutz Amiad (IL)

(\*\*) Term: **14 Years**

(21) Appl. No.: **29/433,386**

(22) Filed: **Sep. 28, 2012**

**Related U.S. Application Data**

(62) Division of application No. 29/394,374, filed on Jun. 16, 2011, now Pat. No. Des. 673,646.

(30) **Foreign Application Priority Data**

Dec. 16, 2010 (EM) ..... 1250120-001  
Dec. 16, 2010 (EM) ..... 1250120-002  
Dec. 16, 2010 (EM) ..... 1250120-003  
Dec. 16, 2010 (EM) ..... 1250120-004

(51) **LOC (9) Cl.** ..... **23-01**

(52) **U.S. Cl.**  
USPC ..... **D23/209; D23/262**

(58) **Field of Classification Search** ..... D23/207, D23/209, 262; 210/275, 279, 291, 167.13  
See application file for complete search history.

(56) **References Cited**

U.S. PATENT DOCUMENTS

3,717,254	A *	2/1973	Benecke	.....	210/279
4,312,764	A *	1/1982	Parshall	.....	210/790
4,753,726	A *	6/1988	Suchanek	.....	210/232
4,773,998	A *	9/1988	Heinrich	.....	210/288
6,428,690	B1 *	8/2002	Tse	.....	210/136
6,709,574	B2 *	3/2004	James	.....	210/90
D565,707	S *	4/2008	Brockington et al.	.....	D23/262
D623,277	S *	9/2010	Guzzoni et al.	.....	D23/262

\* cited by examiner

*Primary Examiner* — Robin V Webster

(74) *Attorney, Agent, or Firm* — Wiggin and Dana LLP; Gregory S. Rosenblatt

(57) **CLAIM**

The ornamental design for fluid distribution equipment, as shown and described.

**DESCRIPTION**

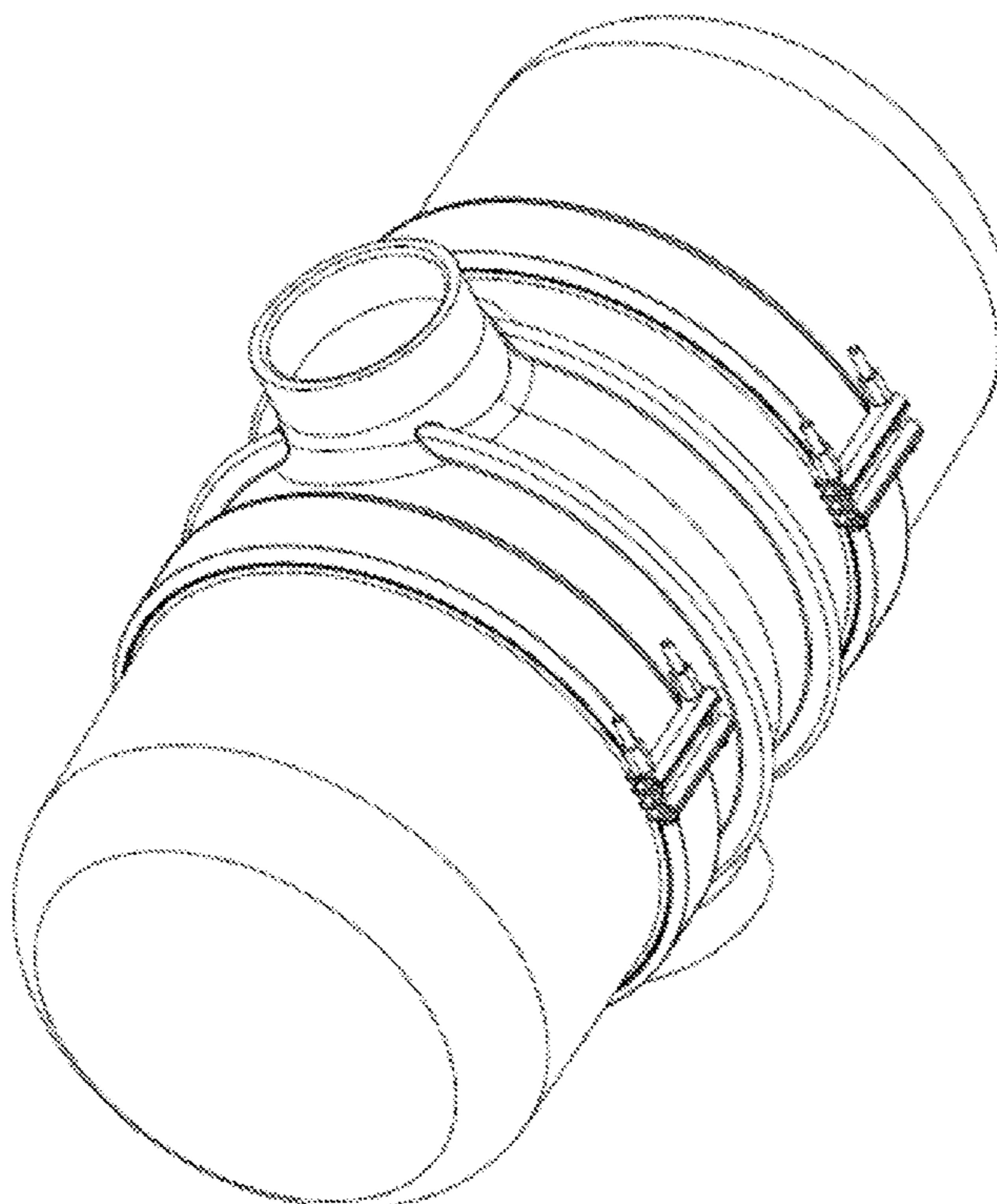
FIG. 1 is a perspective view of fluid distribution equipment showing our new design;

FIG. 2 is a top view of the fluid distribution equipment shown in FIG. 1;

FIG. 3 is a front view of the fluid distribution equipment shown in FIG. 1, with the rear view being identical; and,

FIG. 4 is a side view of the fluid distribution equipment shown in FIG. 1, with the other side being a mirror image.

**1 Claim, 4 Drawing Sheets**



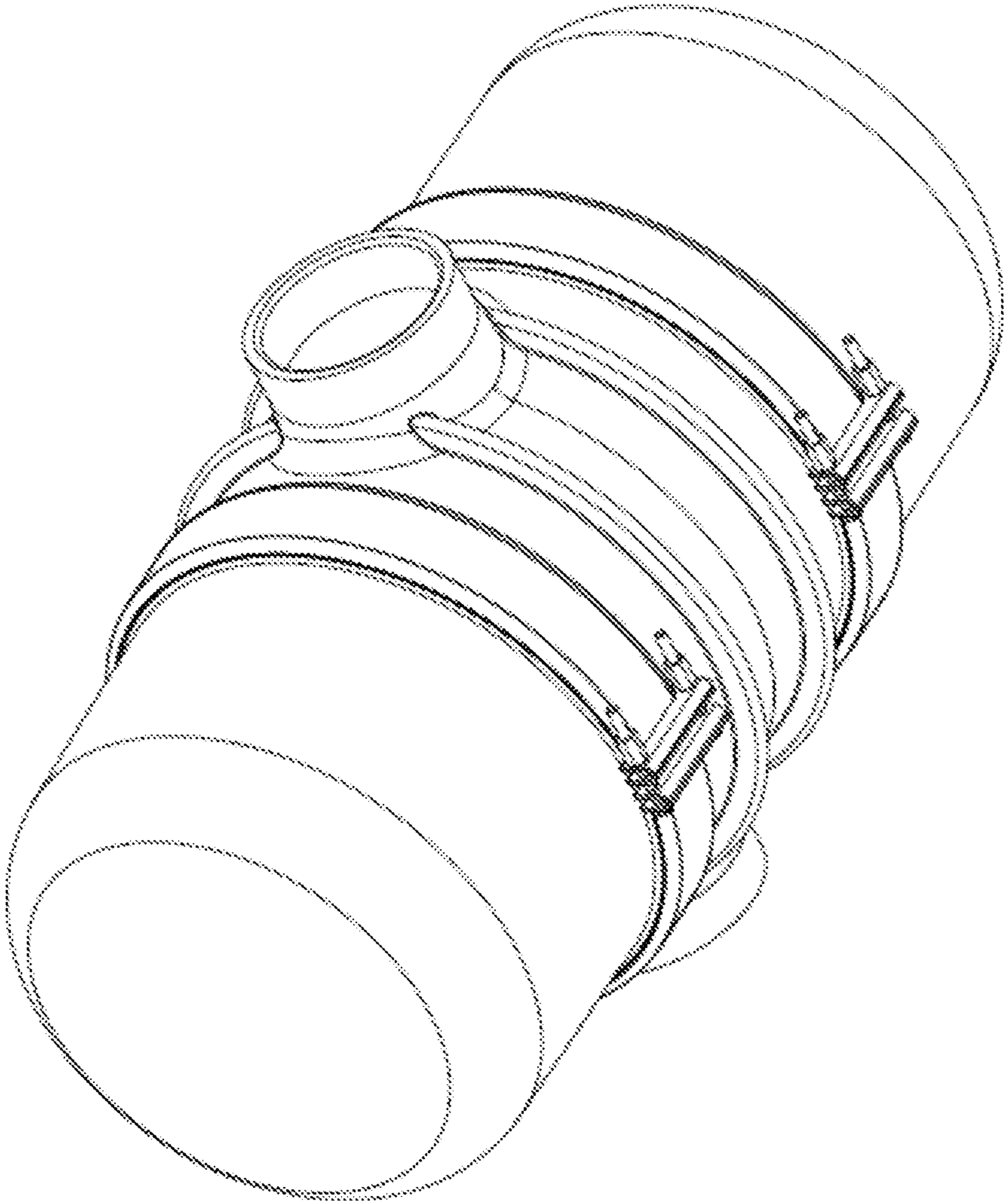


FIG. 1

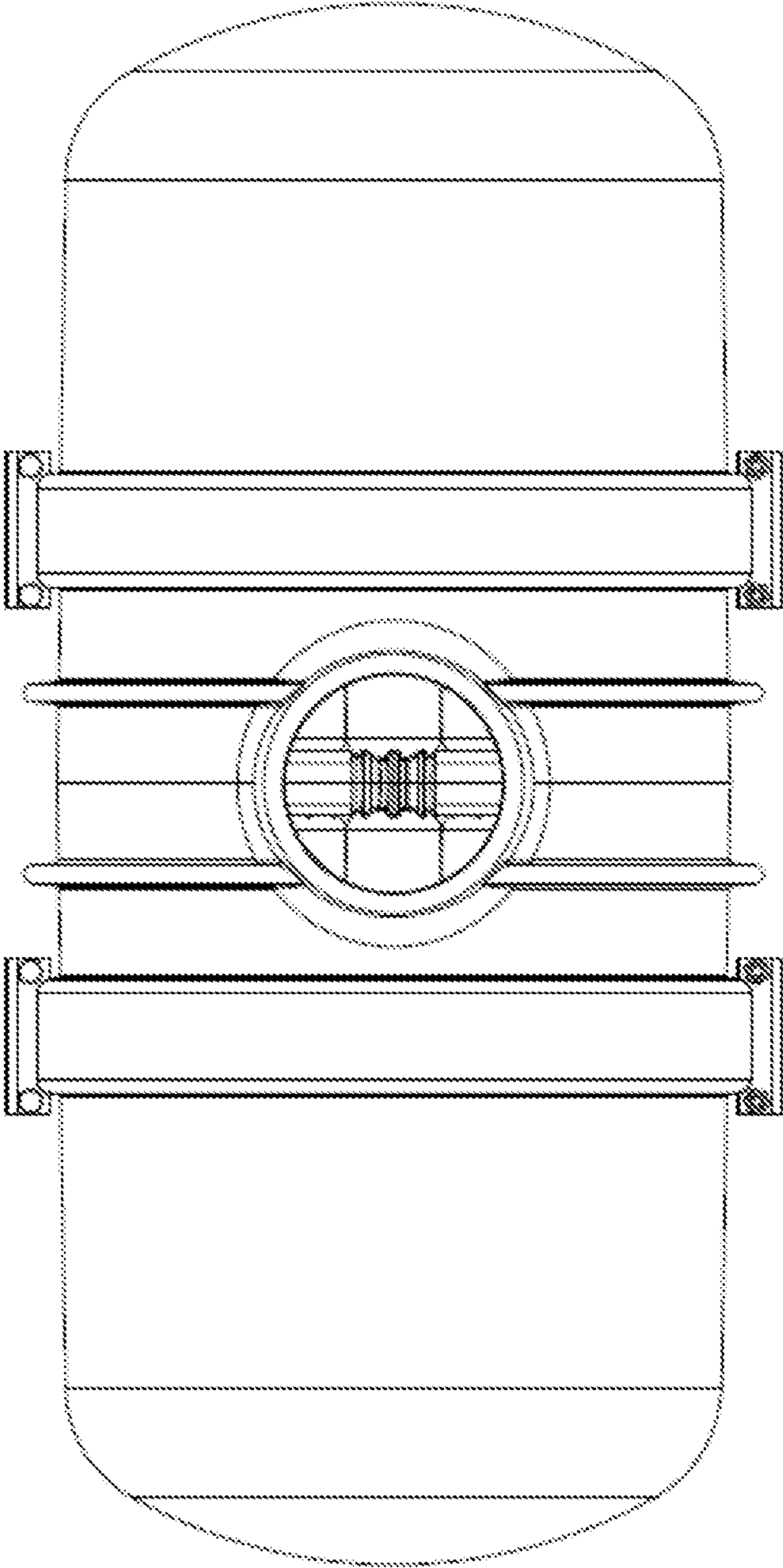


FIG. 2

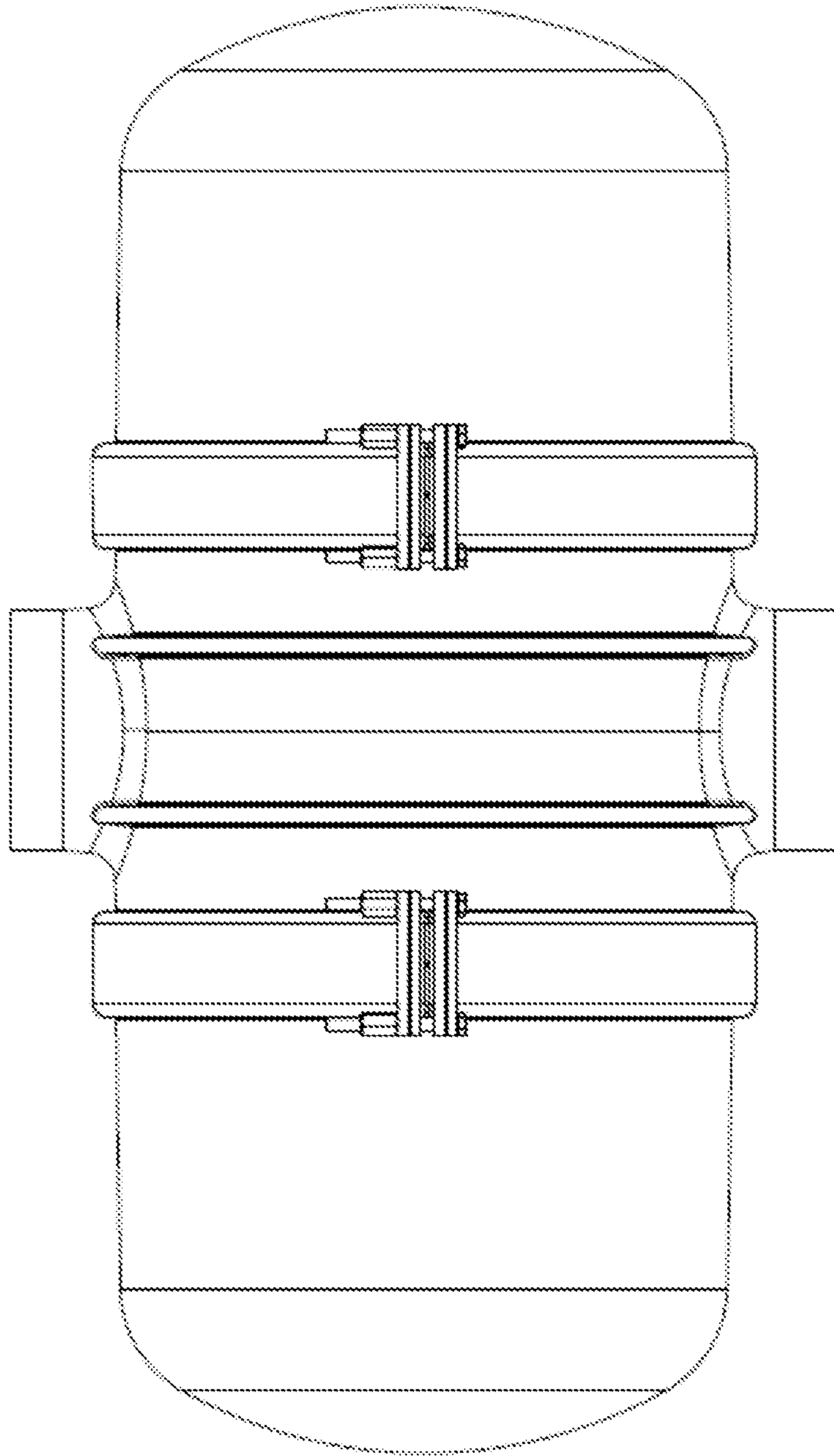


FIG. 3



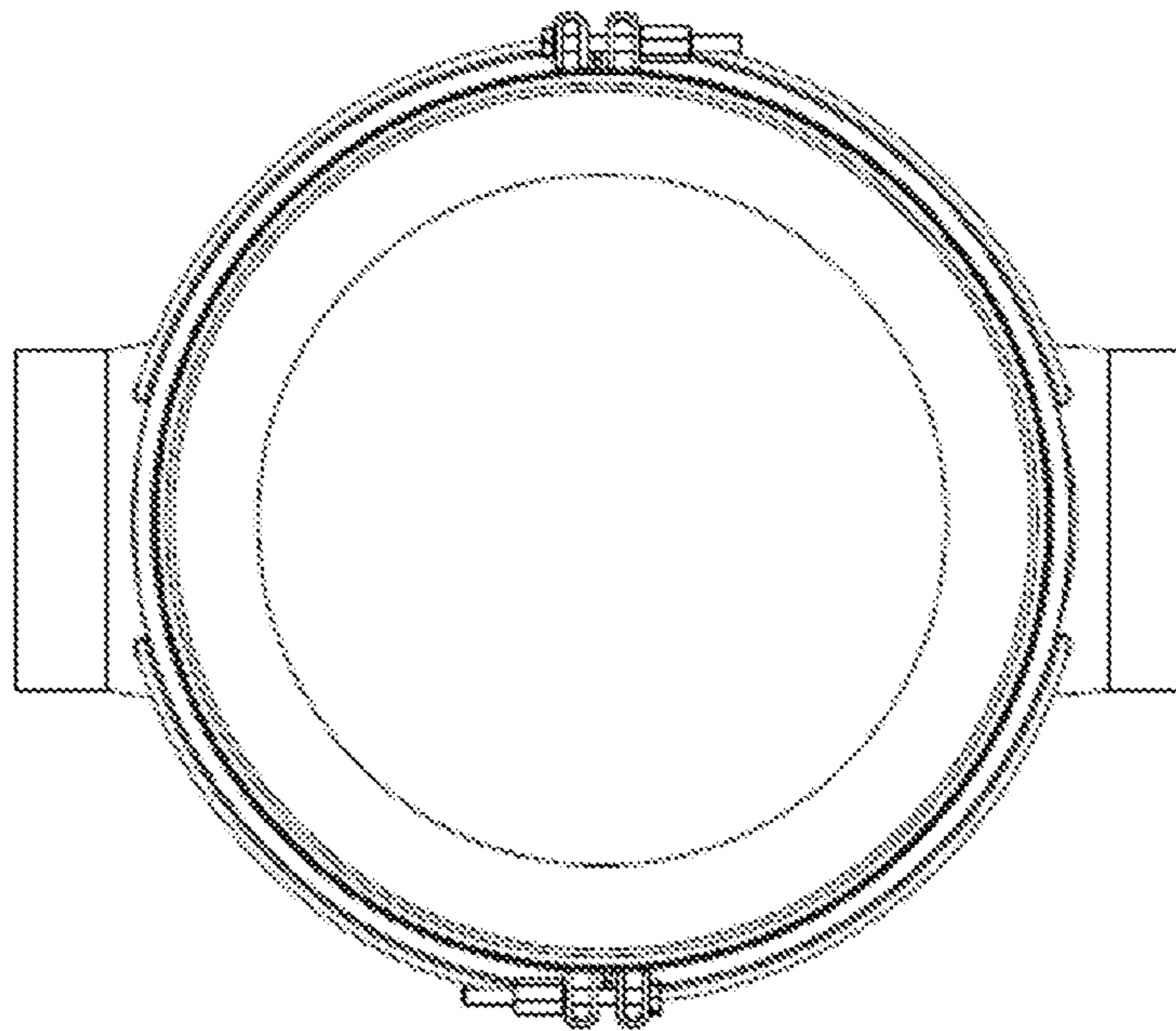


FIG. 4