



US00D681155S

(12) **United States Design Patent**
Camp

(10) **Patent No.:** **US D681,155 S**

(45) **Date of Patent:** **** Apr. 30, 2013**

(54) **ROTOR FOR FISHING REEL**

(75) Inventor: **Charles D. Camp**, Eastaboga, AL (US)

(73) Assignee: **Eastaboga Tackle Mfg. Co., Inc.**,
Eastaboga, AL (US)

(**) Term: **14 Years**

(21) Appl. No.: **29/428,113**

(22) Filed: **Jul. 26, 2012**

(51) **LOC (9) Cl.** **22-05**

(52) **U.S. Cl.**
USPC **D22/144**

(58) **Field of Classification Search** D22/141,
D22/137-138, 134, 140, 142; 43/19-22;
242/223-224, 230, 283, 311, 316, 322
See application file for complete search history.

(56) **References Cited**

U.S. PATENT DOCUMENTS

2,650,040	A	8/1953	Glaser	
2,918,227	A	12/1959	Mauborgne	
3,144,217	A	8/1964	Wood, Jr.	
3,948,465	A	4/1976	Scusa	
4,416,427	A	11/1983	Kawai	
4,577,807	A	3/1986	Urso	
D356,621	S *	3/1995	Furomoto	D22/141
D374,269	S *	10/1996	Asano et al.	D22/141
5,863,007	A	1/1999	Sato	
D412,196	S *	7/1999	Asano et al.	D22/141
D505,181	S *	5/2005	Iwabuchi et al.	D22/141

7,234,660 B2 6/2007 Kitajima
D631,938 S * 2/2011 Fujioka et al. D22/141
2007/0278335 A1 12/2007 Fox

* cited by examiner

Primary Examiner — Catheri Oliver-Garcia

(74) *Attorney, Agent, or Firm* — Jacobson Holman PLLC

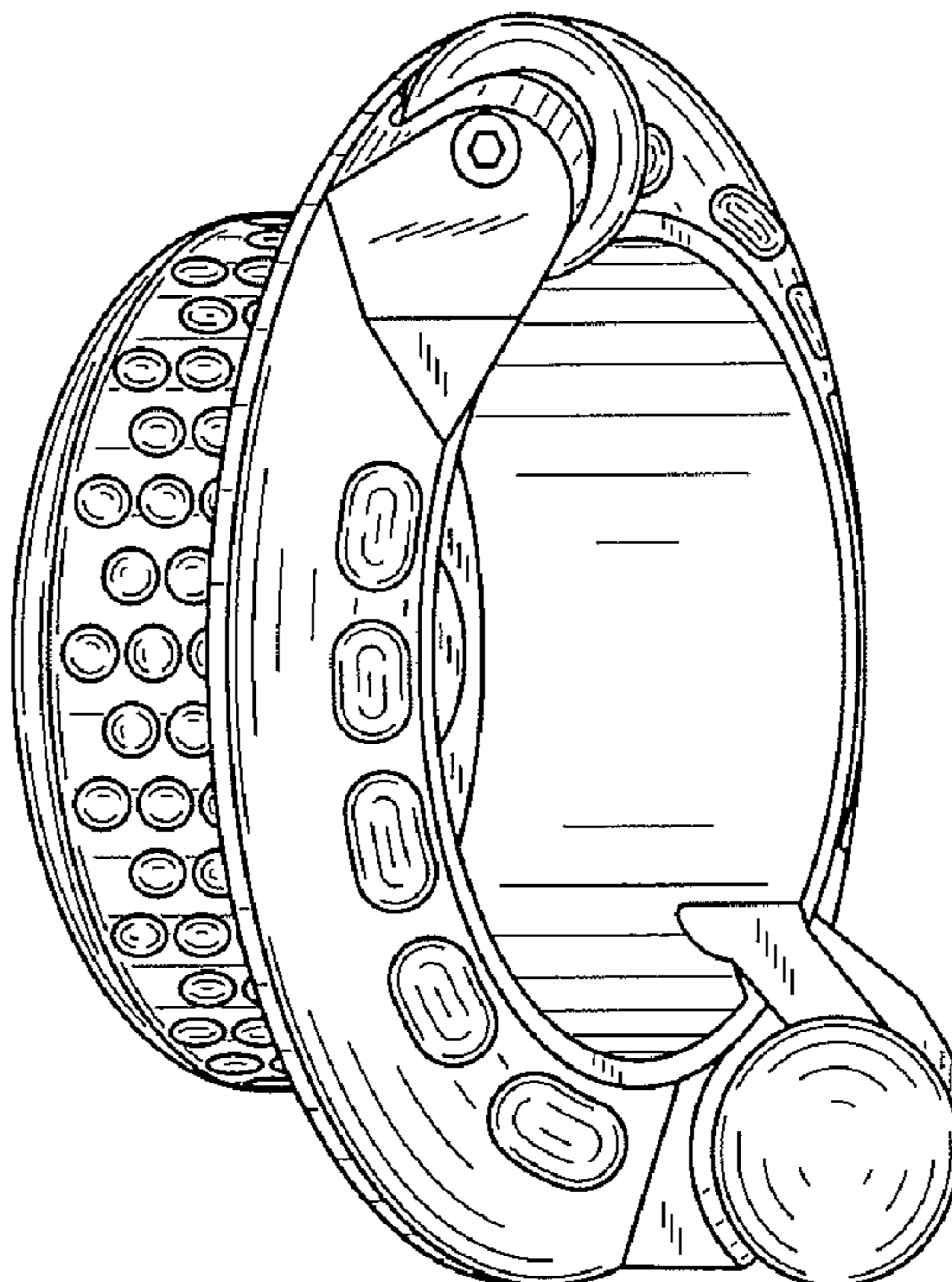
(57) **CLAIM**

The ornamental design for a rotor for fishing reel, as shown and described.

DESCRIPTION

FIG. 1 is a perspective view showing my new design for a rotor for fishing reel,
FIG. 2 is a top view thereof,
FIG. 3 is a bottom view thereof,
FIG. 4 is a front view thereof,
FIG. 5 is a rear view thereof,
FIG. 6 is a left side view thereof,
FIG. 7 is a right side view thereof,
FIG. 8 is a side view thereof illustrative of the rotor in use, the portion shown in dotted lines is for illustrative purposes only forming no part of the claimed design,
FIG. 9 is an alternative embodiment of rotor for fishing reel,
FIG. 10 is a top view thereof,
FIG. 11 is a bottom view thereof,
FIG. 12 is a front view thereof,
FIG. 13 is a rear view thereof,
FIG. 14 is a left side view thereof; and,
FIG. 15 is a right side view thereof.

1 Claim, 9 Drawing Sheets



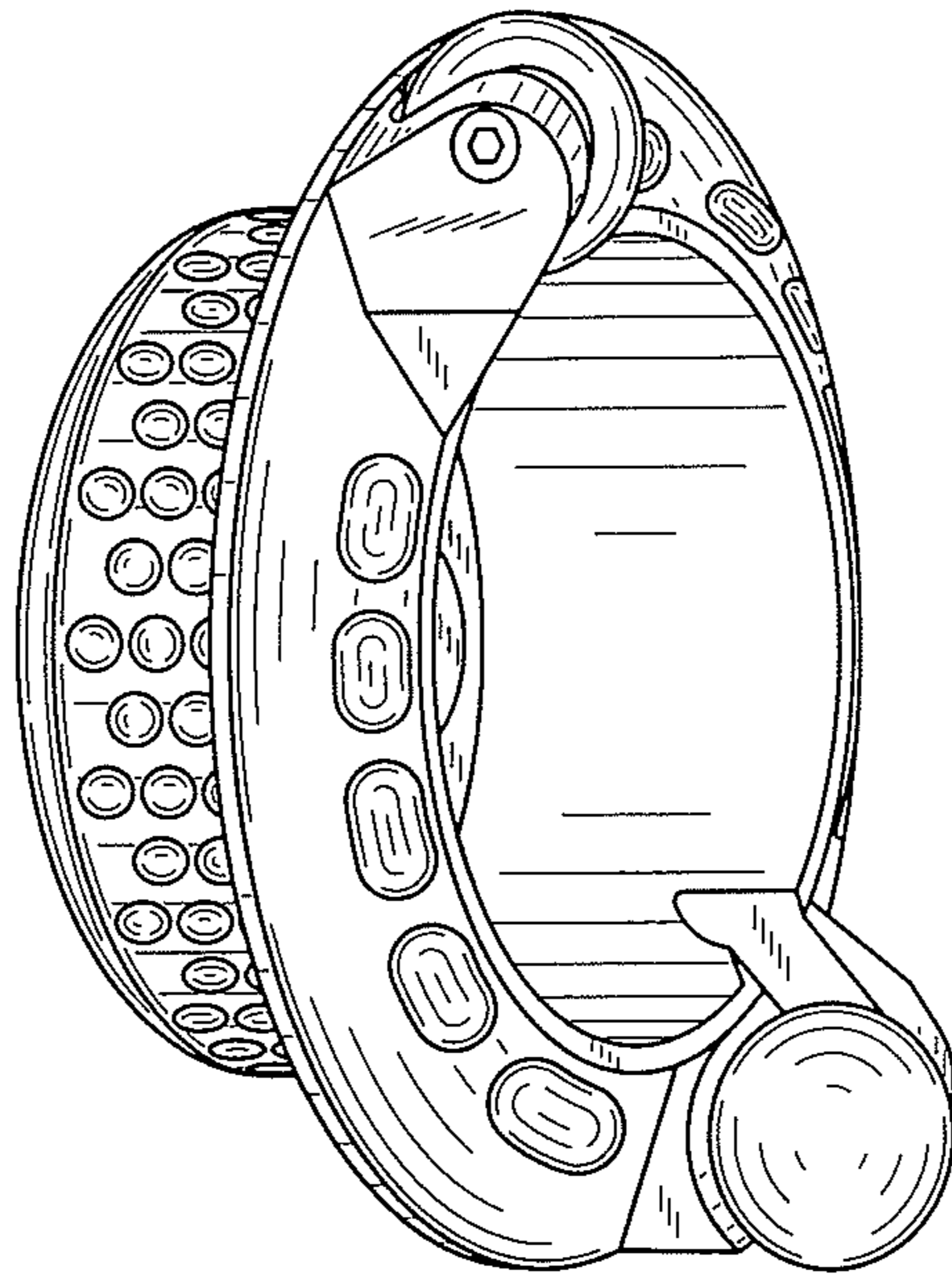


FIG. 1

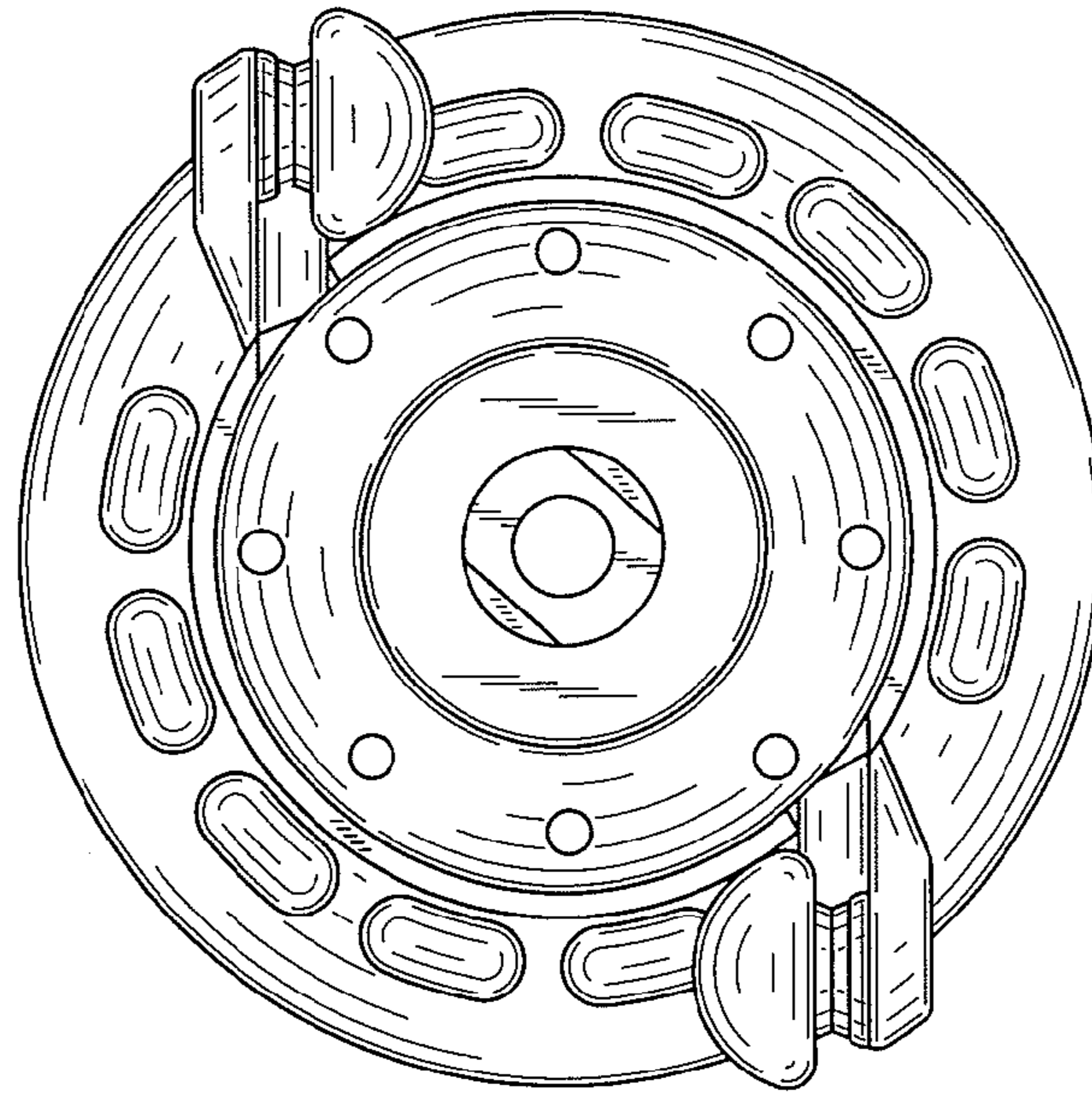


FIG. 2

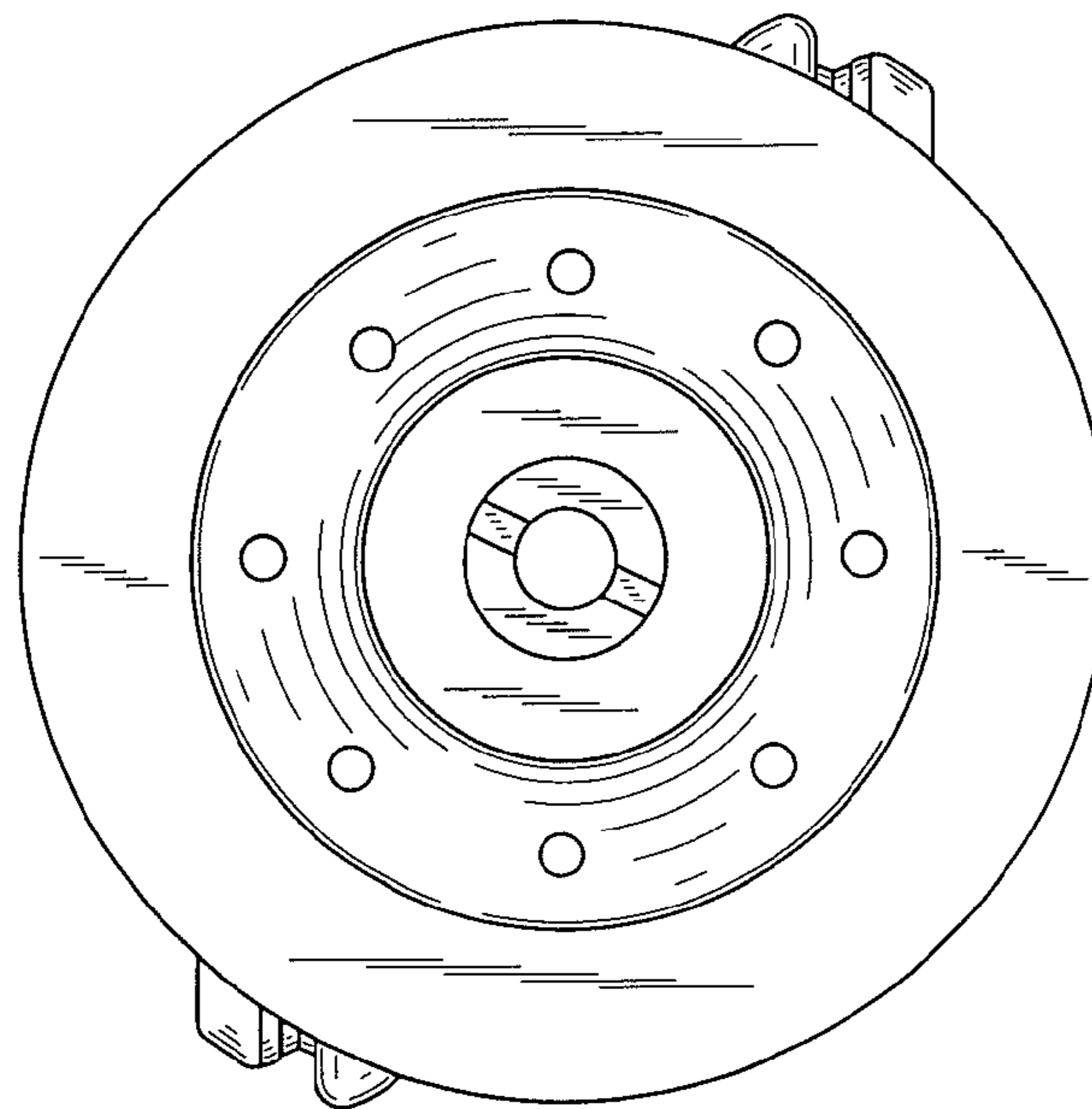


FIG. 3

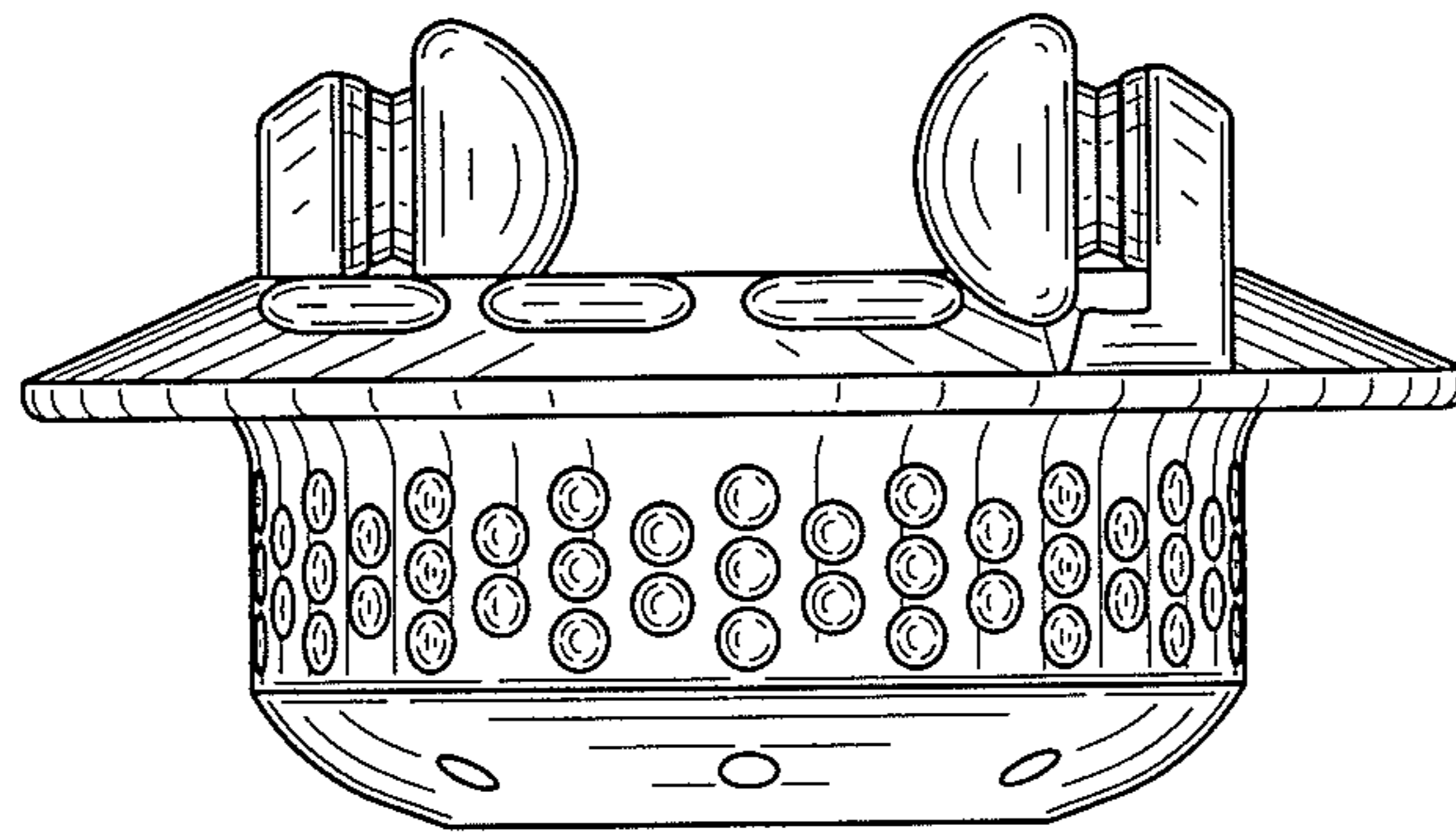


FIG. 4

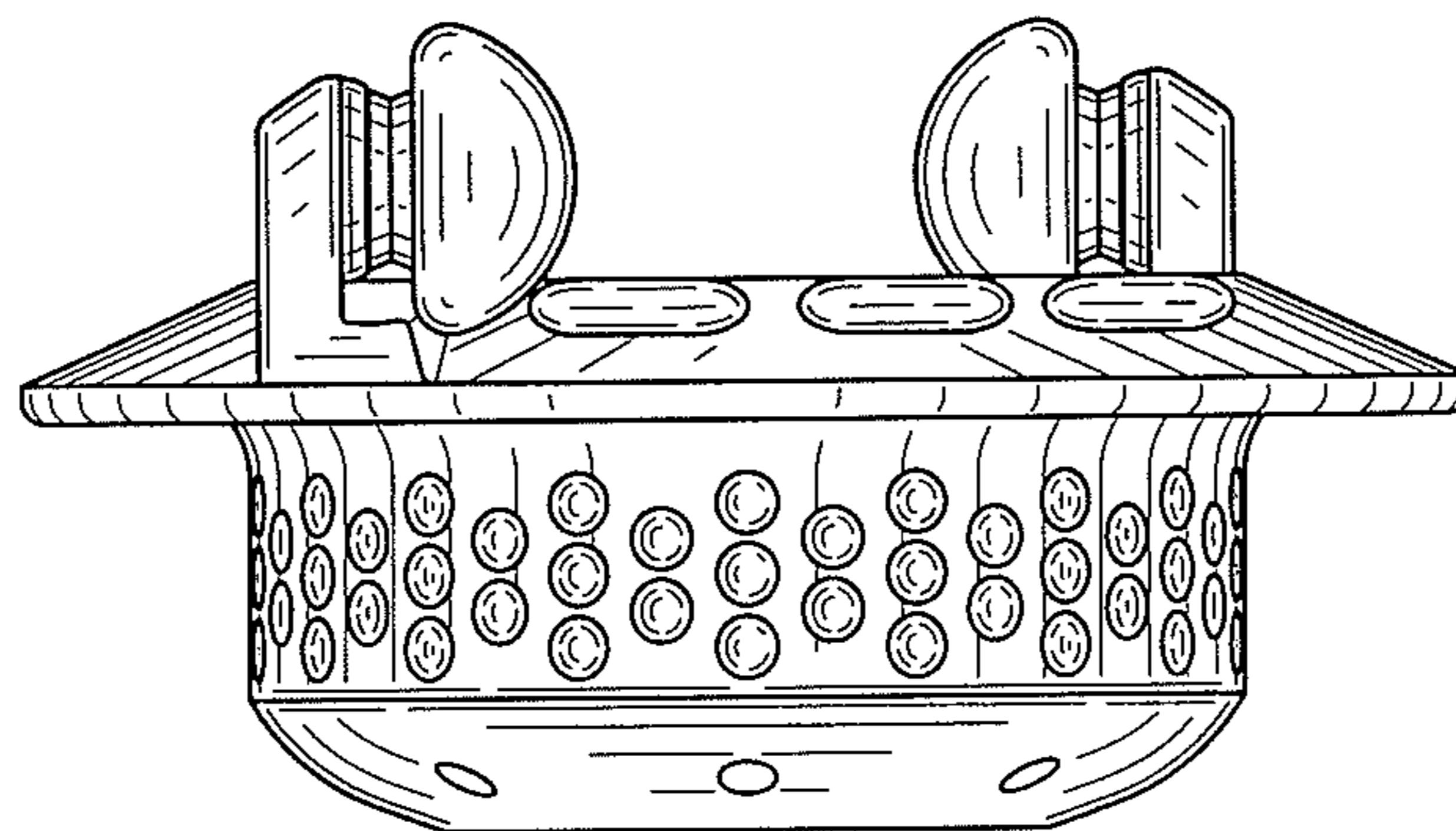


FIG. 5

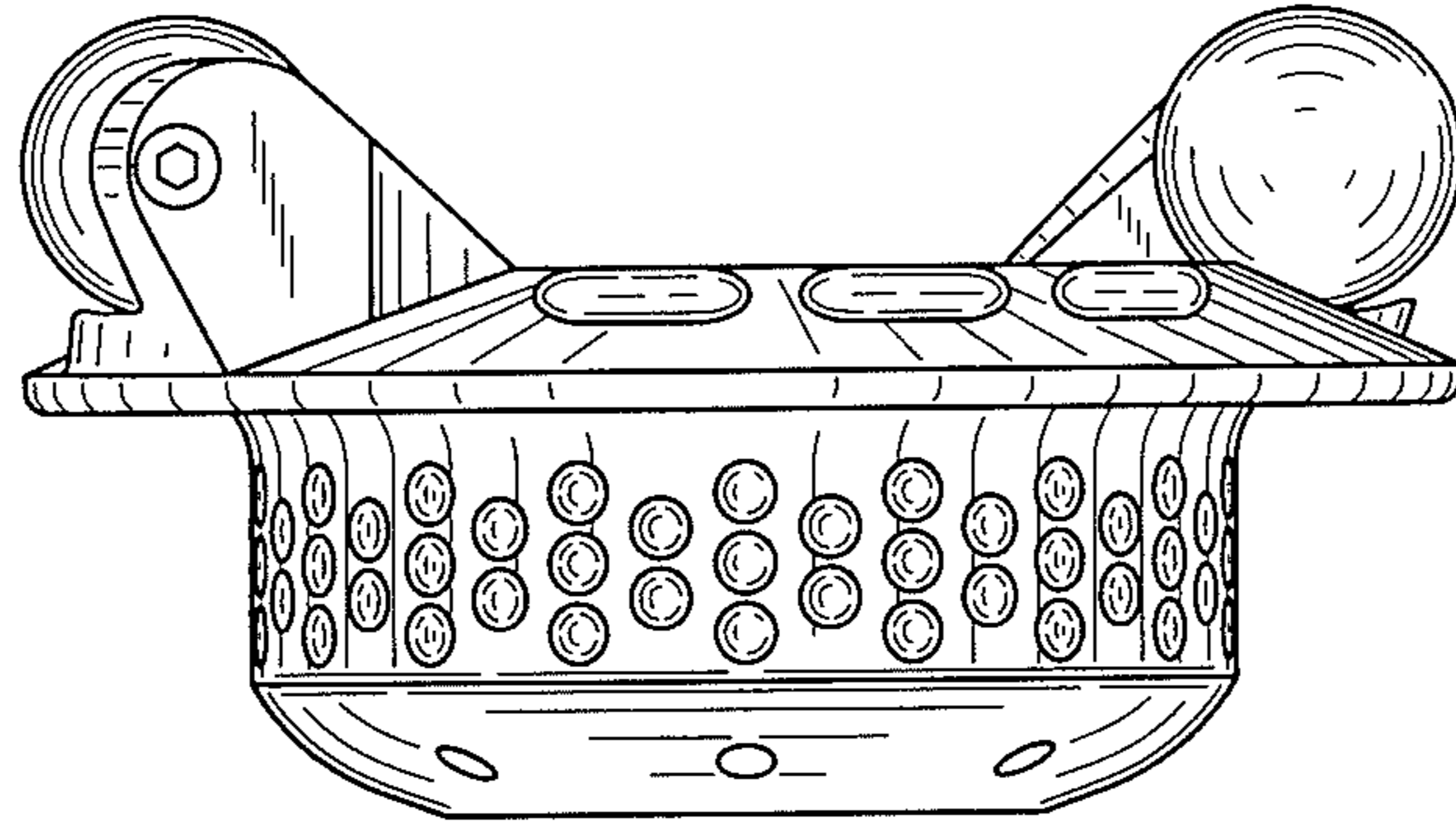


FIG. 6

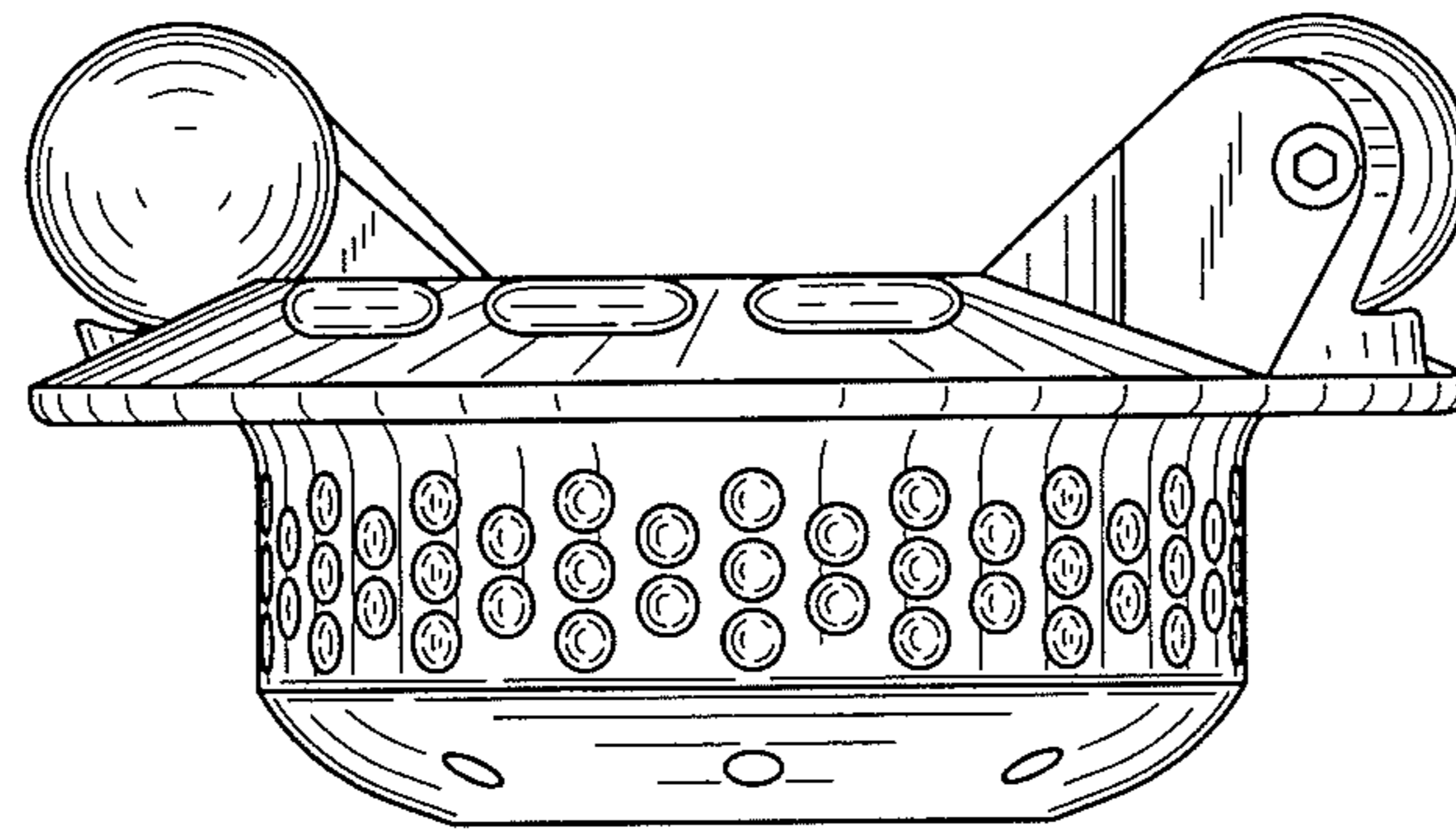


FIG. 7

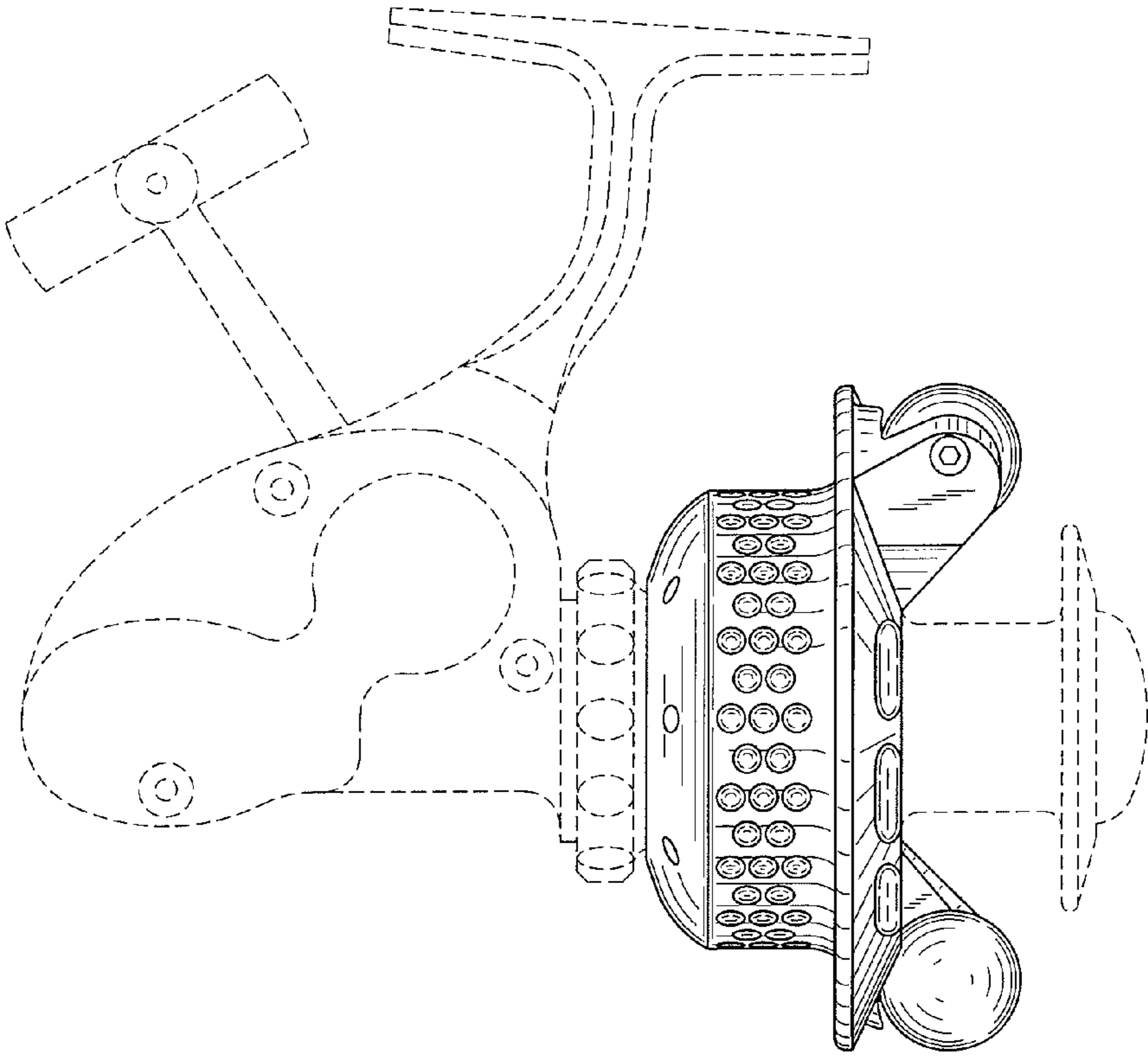


FIG. 8

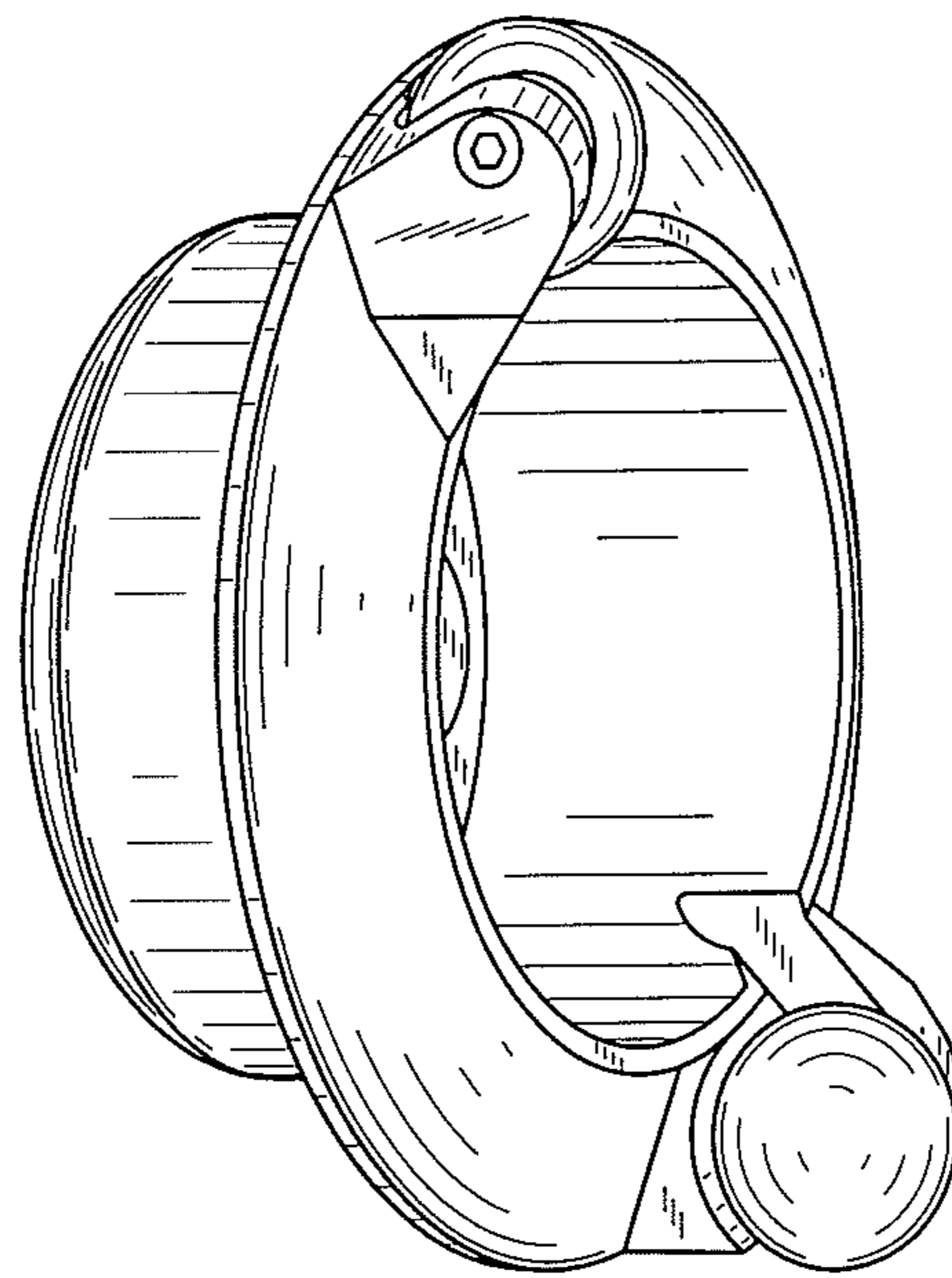


FIG. 9

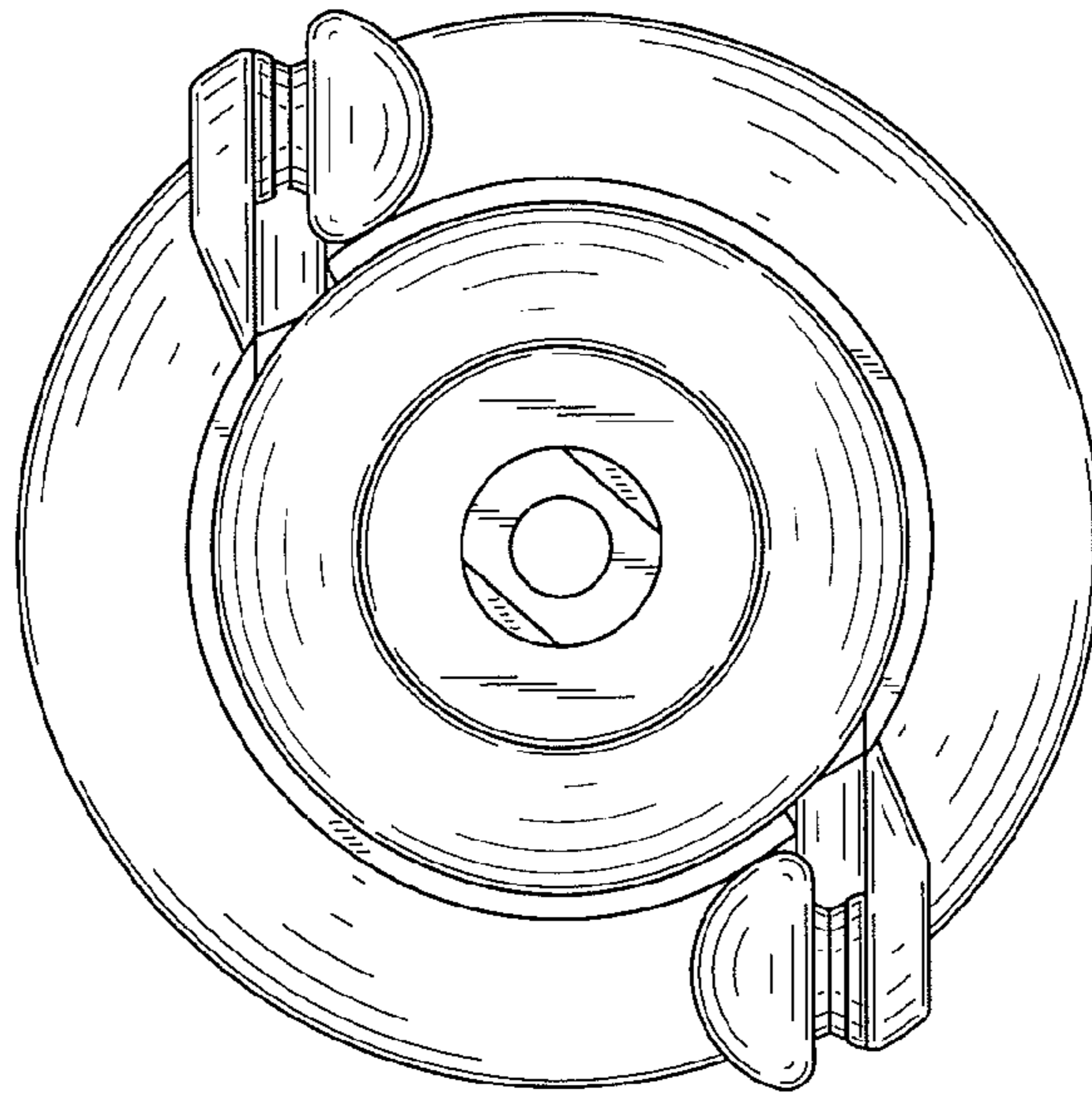


FIG. 10

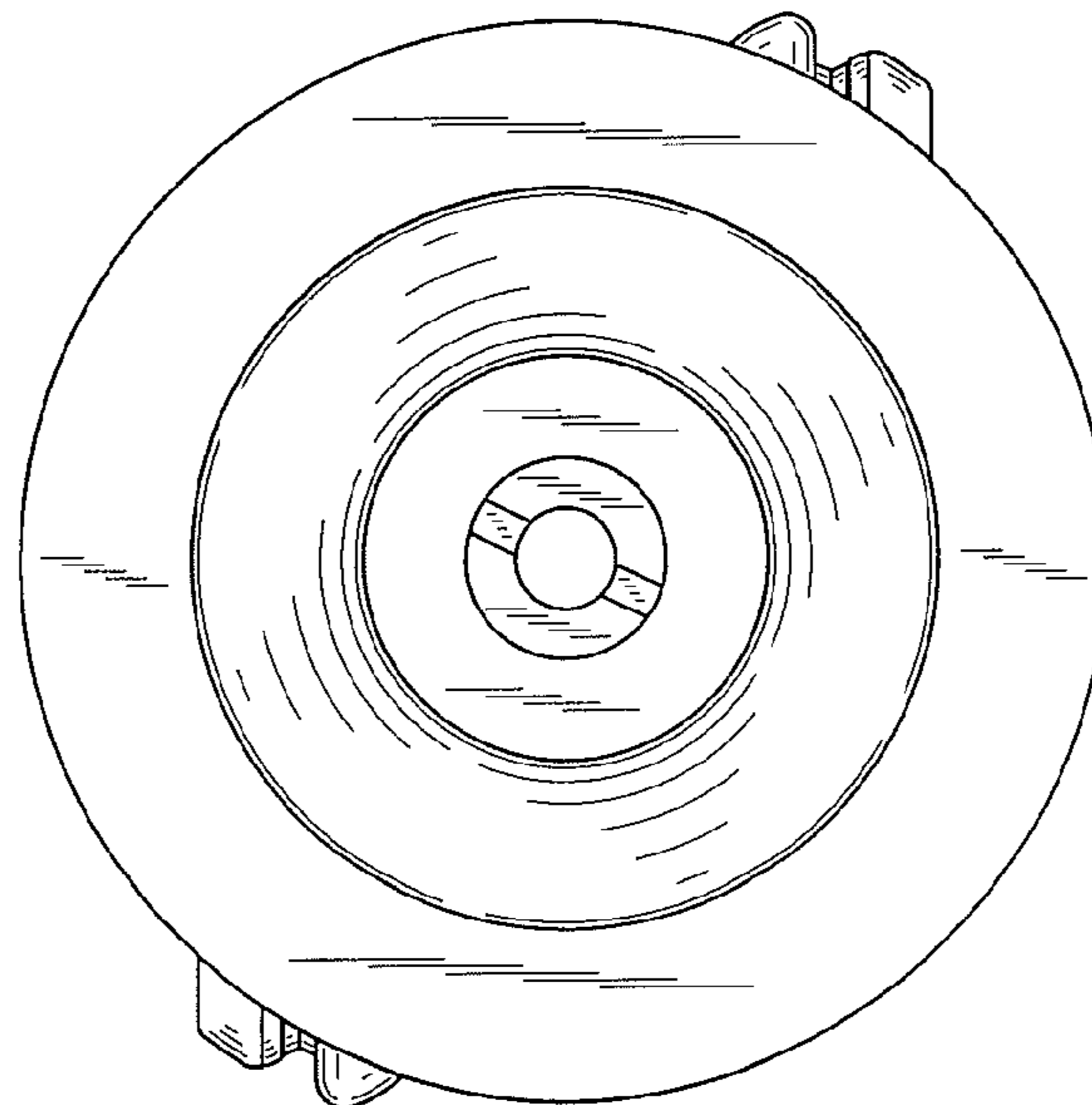


FIG. 11

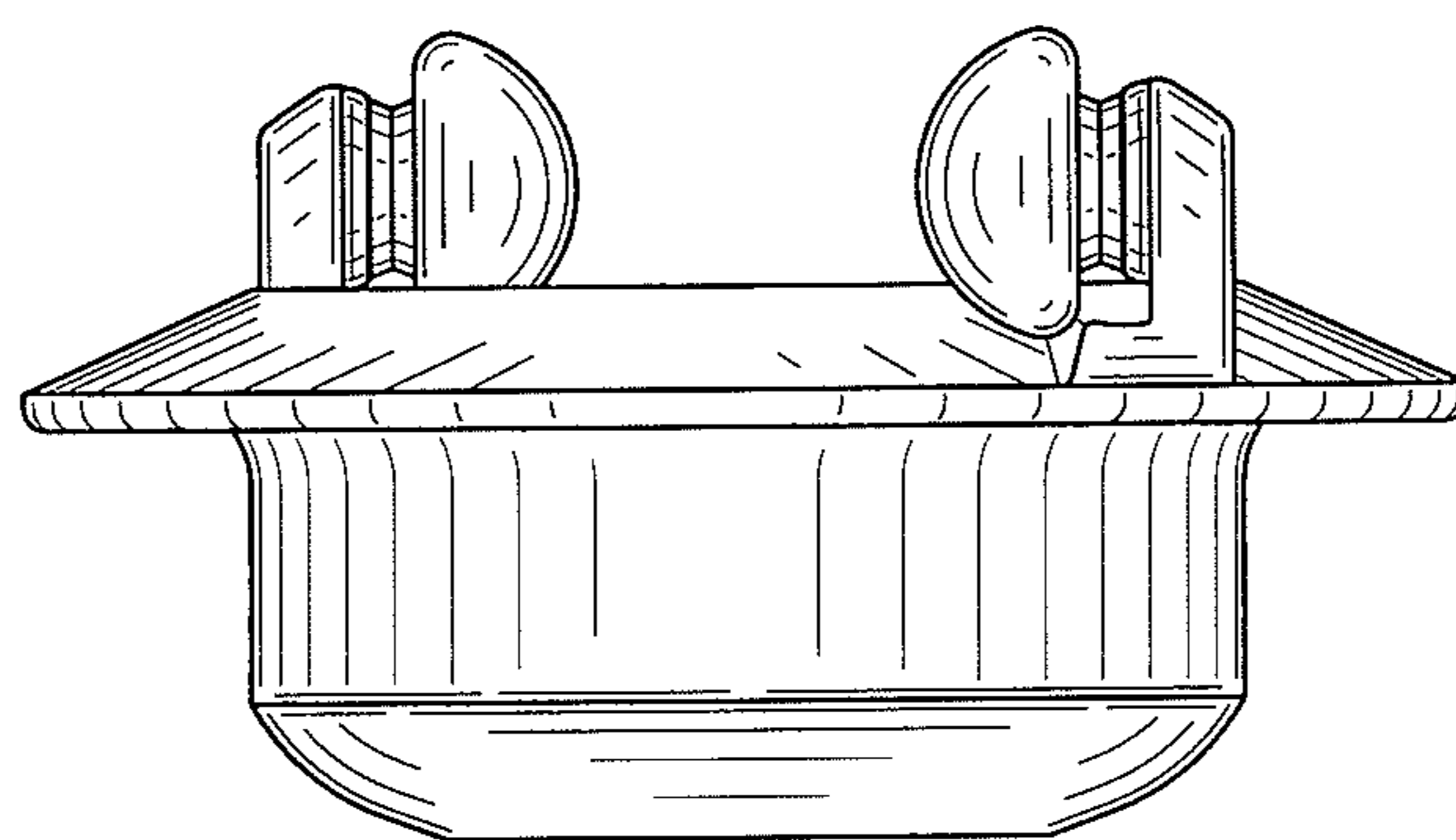


FIG. 12

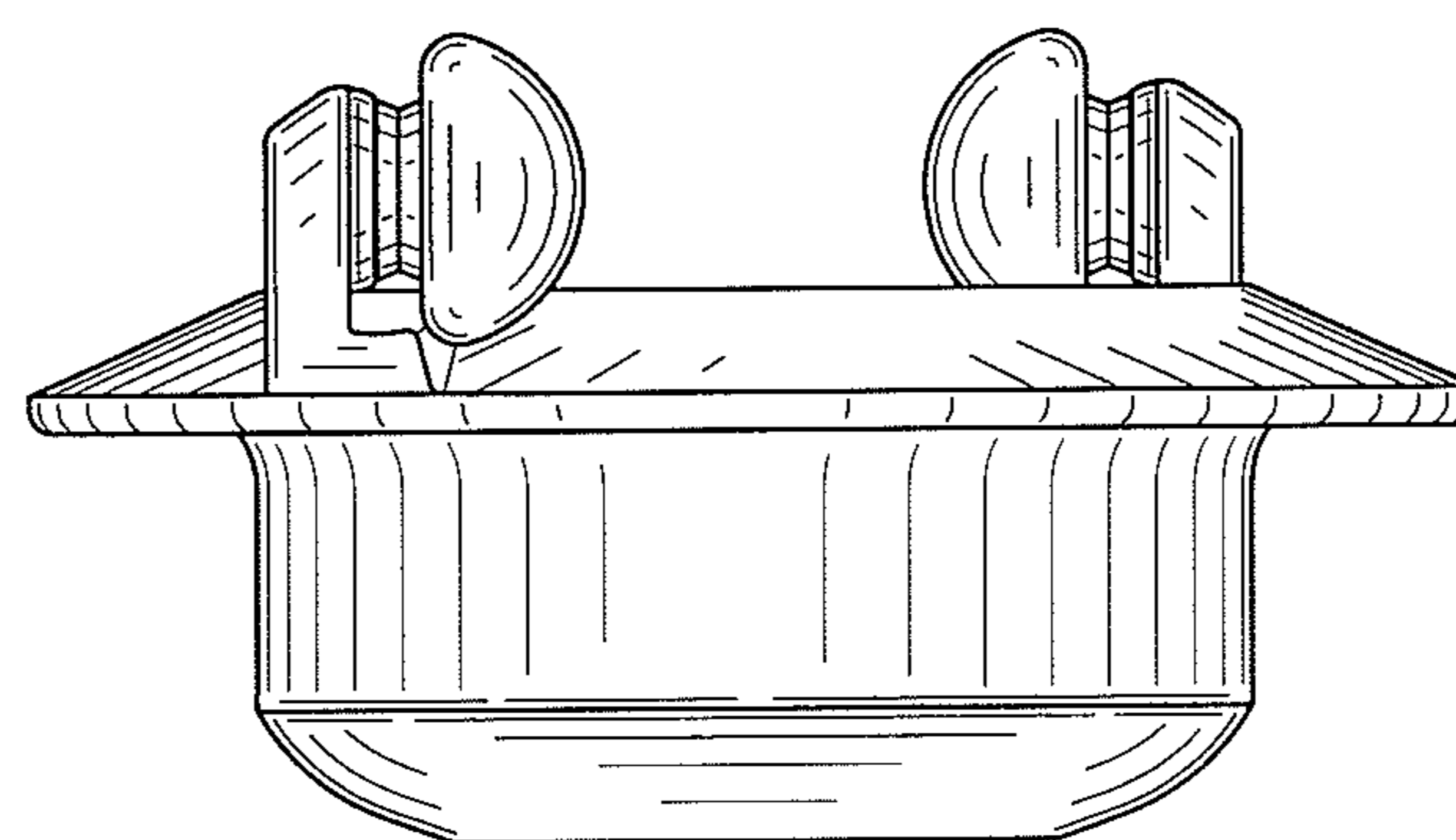


FIG. 13

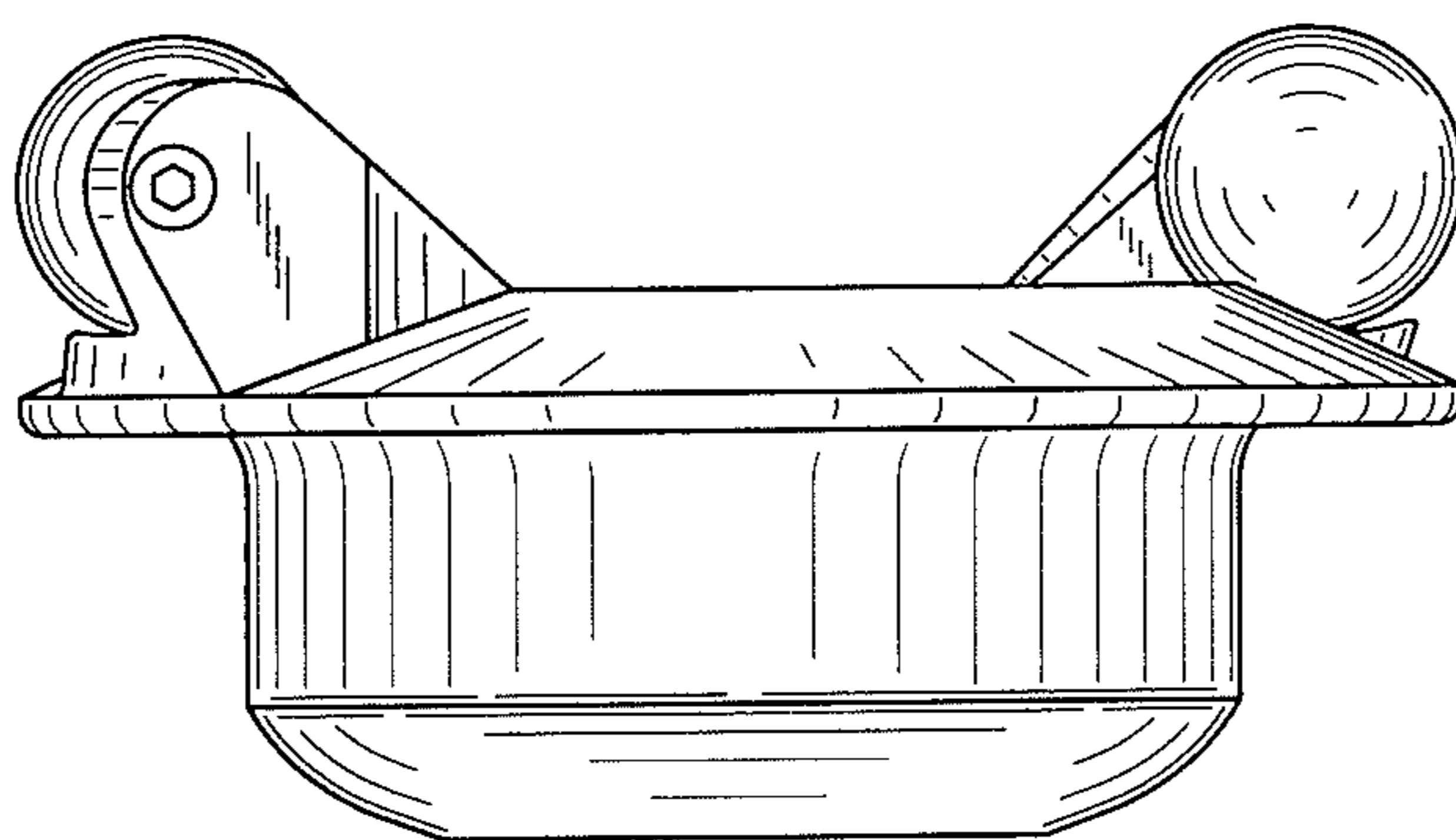


FIG. 14

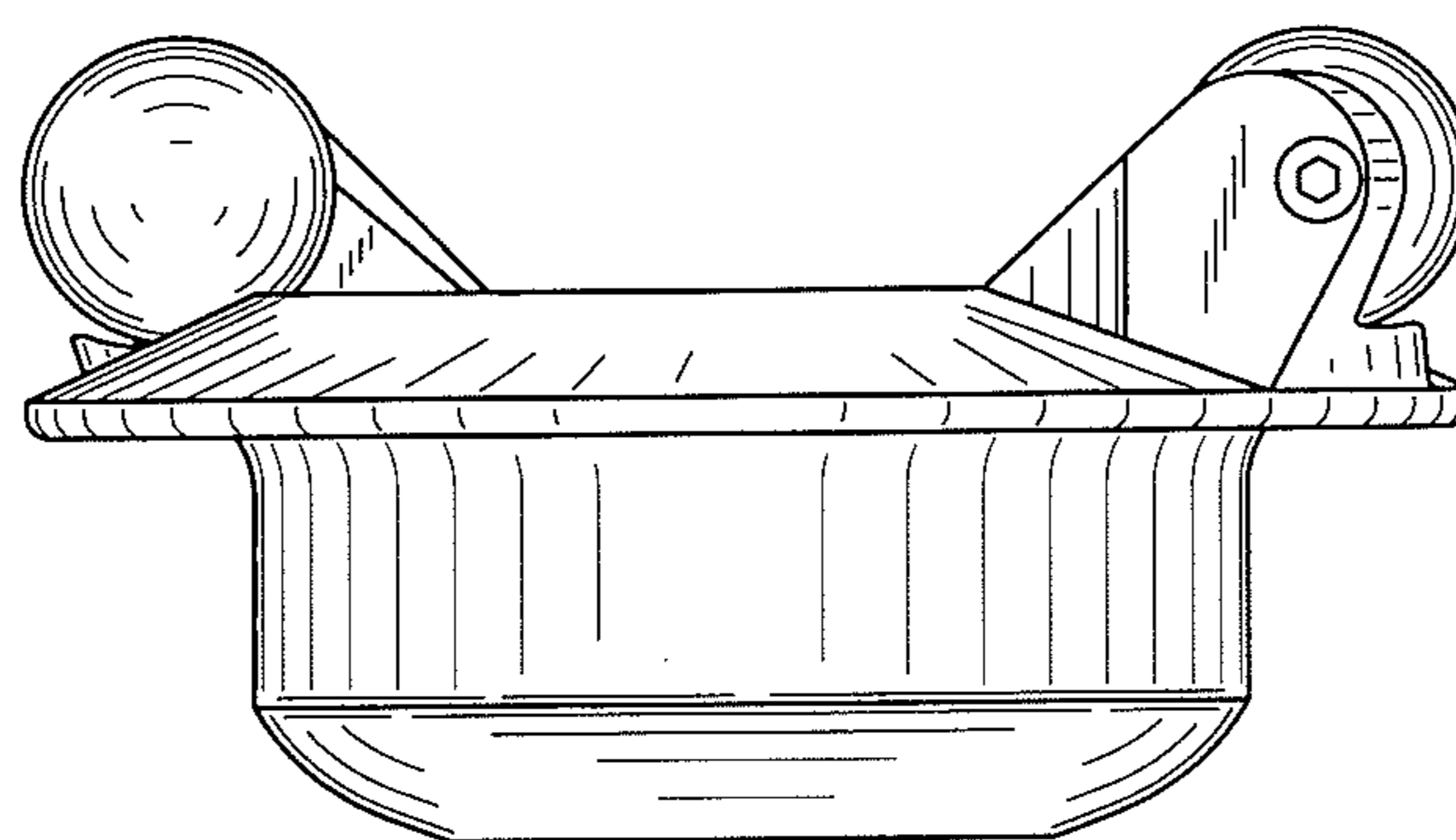


FIG. 15