



US00D681154S

(12) **United States Design Patent**
Adams

(10) **Patent No.:** **US D681,154 S**
(45) **Date of Patent:** **** Apr. 30, 2013**

- (54) **FLOUNDER JIG ROD**
- (75) Inventor: **Johnny J. Adams**, Larose, LA (US)
- (73) Assignee: **J Adams Co.**, Larose, LA (US)
- (**) Term: **14 Years**
- (21) Appl. No.: **29/425,728**
- (22) Filed: **Jun. 26, 2012**
- (51) **LOC (9) Cl.** **22-05**
- (52) **U.S. Cl.**
USPC **D22/139**
- (58) **Field of Classification Search** D22/137-140;
43/18.1 R, 18.5; D3/28
See application file for complete search history.

- 4,223,466 A * 9/1980 King 43/18.1 R
- D380,806 S * 7/1997 Ostrander D22/139
- 6,383,588 B1 * 5/2002 You D22/137

* cited by examiner

Primary Examiner — Catheri Oliver-Garcia
(74) *Attorney, Agent, or Firm* — Sinorica, LLC

(57) **CLAIM**
The ornamental design for a flounder jig rod, as shown and described.

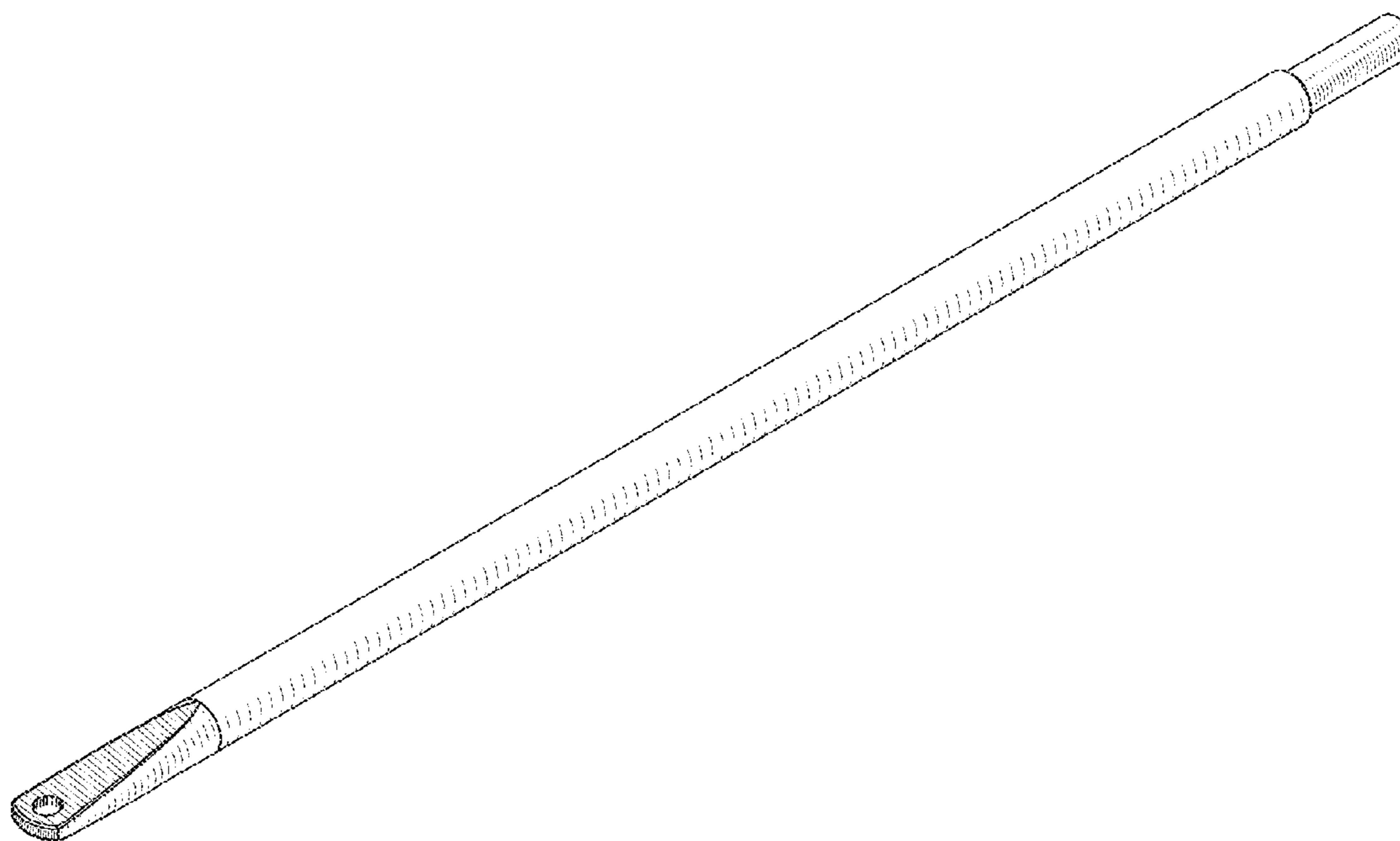
DESCRIPTION

FIG. 1 is a perspective view of the flounder jig rod;
FIG. 2 is a front view thereof;
FIG. 3 is a rear view thereof;
FIG. 4 is a right-side view thereof;
FIG. 5 is a left-side view thereof;
FIG. 6 is a top view thereof; and,
FIG. 7 is a bottom view thereof.

- (56) **References Cited**

U.S. PATENT DOCUMENTS
D133,543 S * 8/1942 Megarry D3/28
2,302,191 A * 11/1942 Covington 43/18.1 R

1 Claim, 7 Drawing Sheets



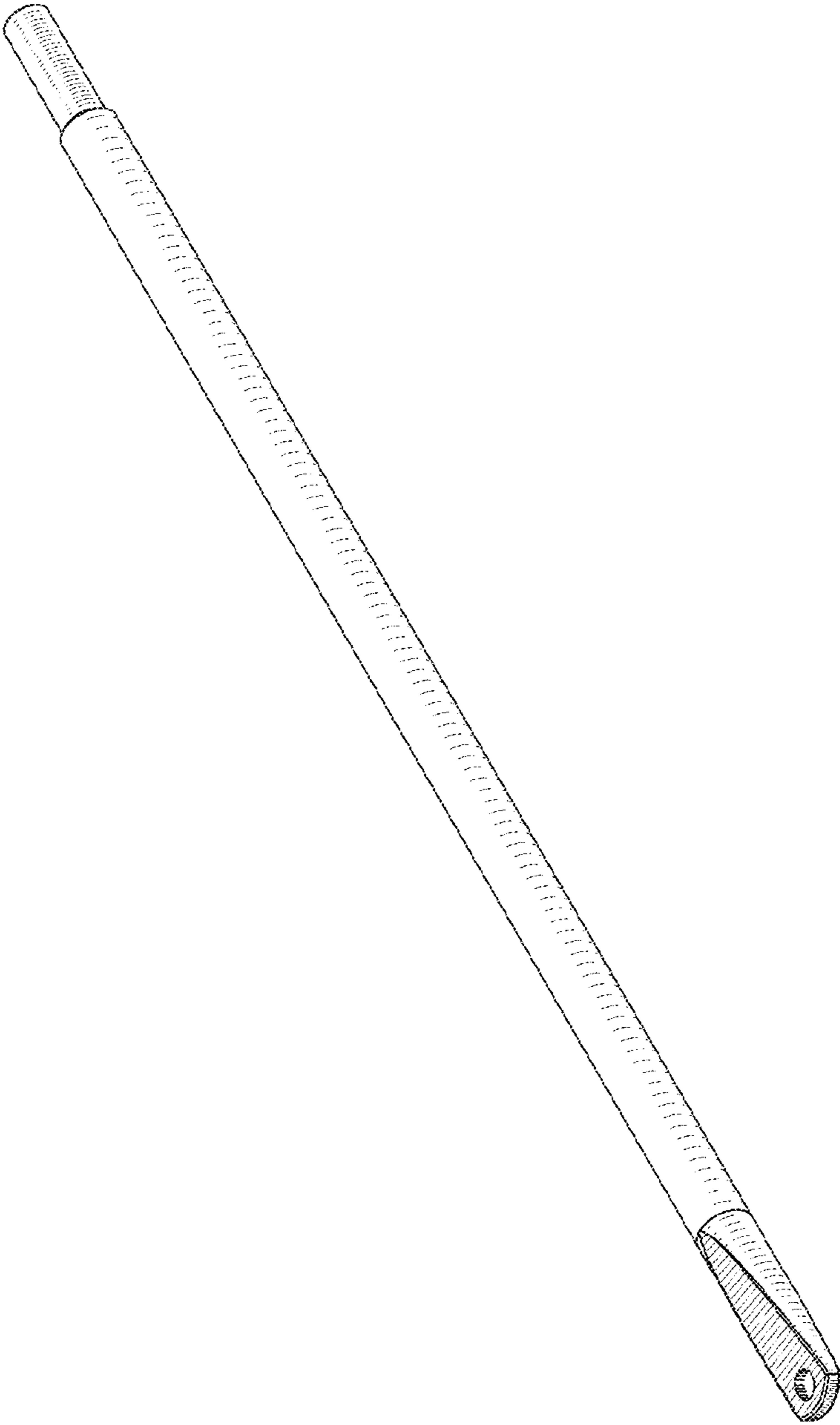


FIG. 1



FIG. 2



FIG. 3



FIG. 4



FIG. 5

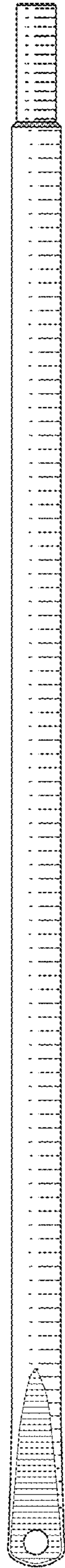


FIG. 6

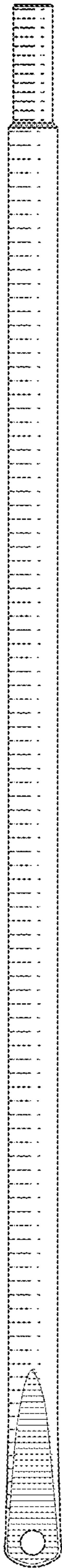


FIG. 7