



US00D681153S

(12) **United States Design Patent**
Nordyke et al.

(10) **Patent No.:** **US D681,153 S**

(45) **Date of Patent:** **** Apr. 30, 2013**

(54) **BED BUG TRAP**

(76) Inventors: **Eric Nordyke**, San Diego, CA (US);
Robert McKinley, Verdale, WA (US)

(**) Term: **14 Years**

(21) Appl. No.: **29/406,634**

(22) Filed: **Nov. 16, 2011**

(51) **LOC (9) Cl.** **22-06**

(52) **U.S. Cl.**
USPC **D22/122**

(58) **Field of Classification Search** D22/119-124;
43/107, 109, 112-114, 121-124, 131, 132.1;
D3/294

See application file for complete search history.

(56) **References Cited**

U.S. PATENT DOCUMENTS

3,968,590 A * 7/1976 Kitterman 43/114
D386,555 S * 11/1997 Krug D22/122

7,591,099 B2 * 9/2009 Lang et al. 43/107
D639,895 S * 6/2011 Schneidmiller et al. D22/122
D668,457 S * 10/2012 Mimlitch et al. D3/294
8,316,578 B2 * 11/2012 Faham et al. 43/123

* cited by examiner

Primary Examiner — Catheri Oliver-Garcia

(74) *Attorney, Agent, or Firm* — Deepak Malhotra; Malhotra Law Firm, PLLC

(57) **CLAIM**

The ornamental design for a bed bug trap, as shown.

DESCRIPTION

FIG. 1 is a perspective view of a bed bug trap showing our new design;

FIG. 2 is a top or bottom view thereof; and,

FIG. 3 is a side view thereof.

1 Claim, 1 Drawing Sheet

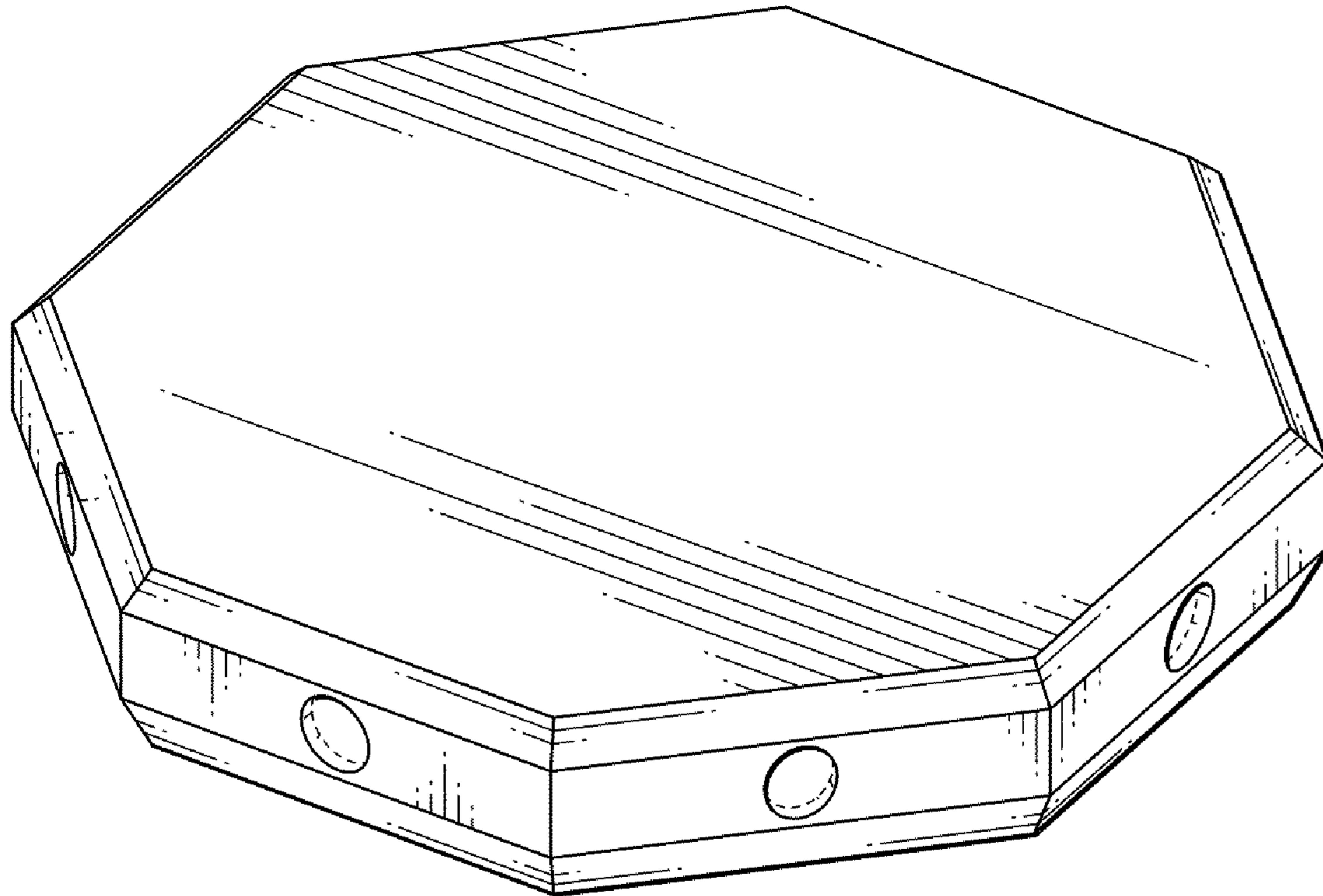


FIG. 1

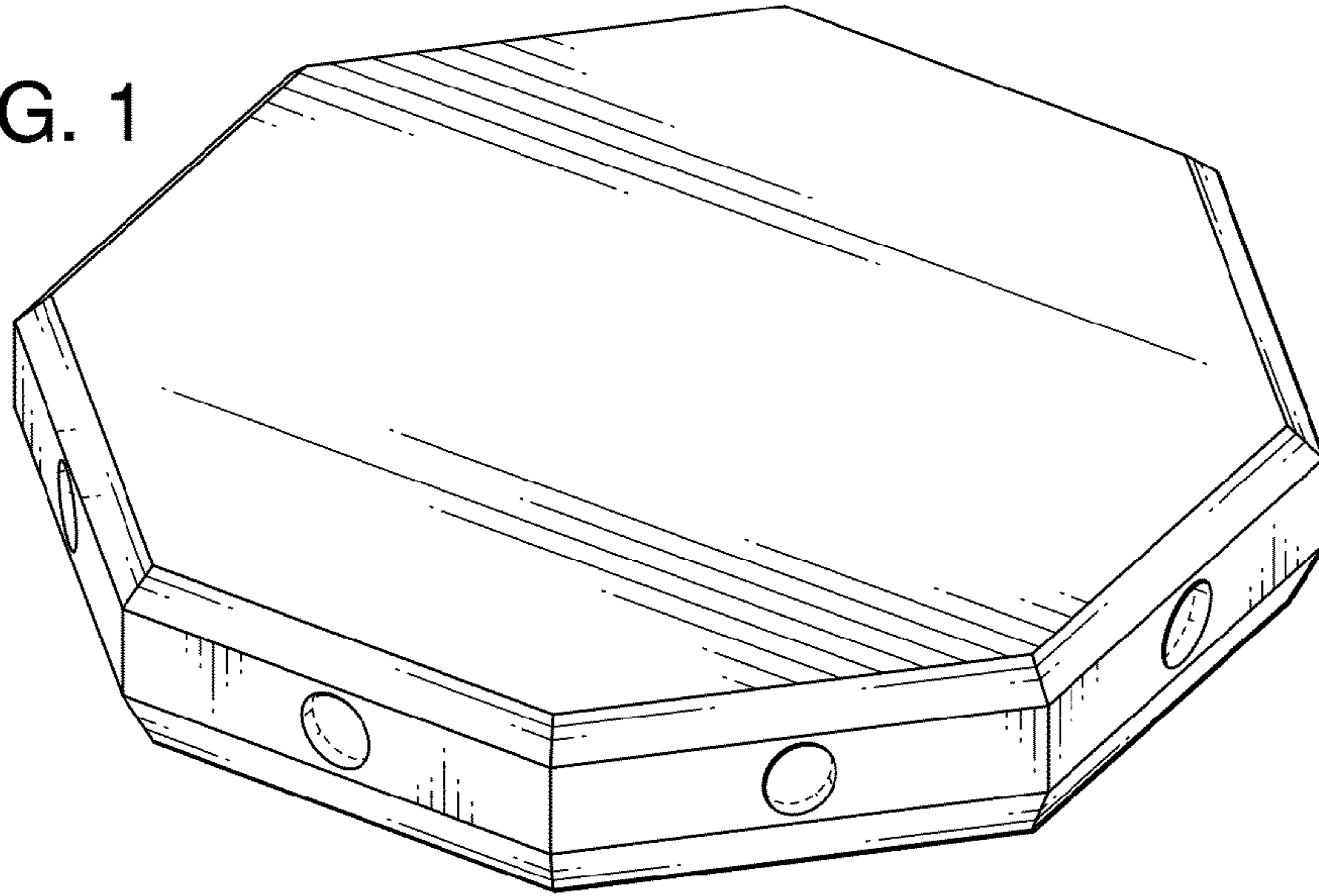


FIG. 2

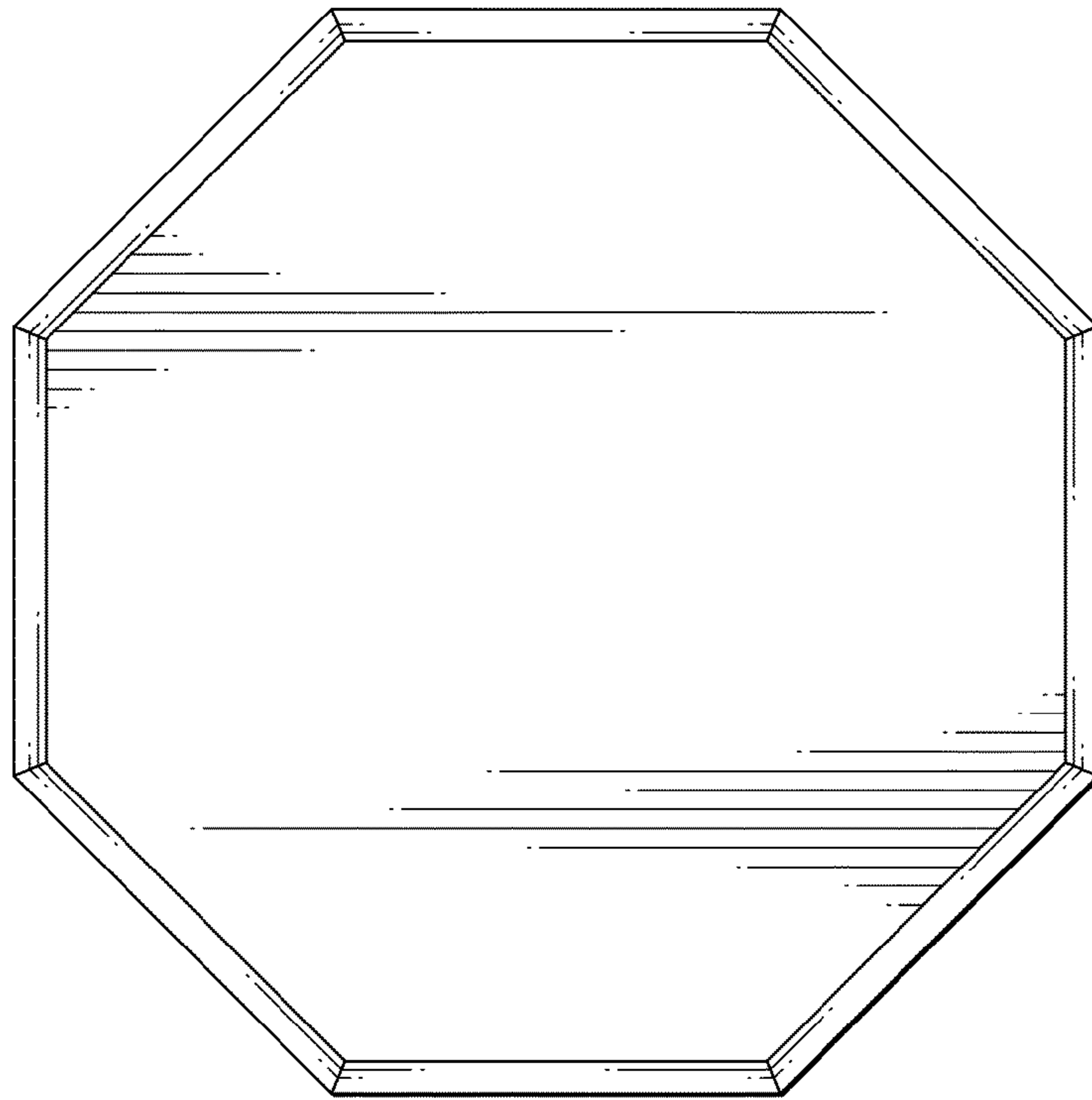


FIG. 3

