



US00D681152S

(12) **United States Design Patent**
Burzel et al.

(10) **Patent No.:** **US D681,152 S**
(45) **Date of Patent:** **** Apr. 30, 2013**

(54) **RIFLE SCOPE**

(75) Inventors: **Timo Burzel**, Lahnau-Waldgirmes (DE);
Andreas Schneider,
Hüttenberg/Rechtenbach (DE)

(73) Assignee: **Cassidian Optronics GmbH**,
Oberkochen (DE)

(**) Term: **14 Years**

(21) Appl. No.: **29/405,092**

(22) Filed: **Oct. 28, 2011**

(51) **LOC (9) Cl.** **22-01**

(52) **U.S. Cl.**
USPC **D22/109**

(58) **Field of Classification Search** D22/108-110;
D16/132, 130, 133, 330, 134; 359/399, 823,
359/744; 42/111, 133, 119, 122
See application file for complete search history.

(56) **References Cited**

U.S. PATENT DOCUMENTS

D305,030	S	*	12/1989	Fukushima	D16/132
D308,981	S	*	7/1990	Moore	D16/132
D365,858	S	*	1/1996	Tomita	D22/109
8,166,697	B1	*	5/2012	Sueskind	42/125
2007/0068058	A1	*	3/2007	Remo	42/122
2011/0242650	A1	*	10/2011	Windauer	359/428

2012/0030988	A1	*	2/2012	Windauer	42/119
2012/0167444	A1	*	7/2012	Adkins et al.	42/135
2012/0186130	A1	*	7/2012	Tubb	42/122
2012/0186131	A1	*	7/2012	Windauer	42/122

* cited by examiner

Primary Examiner — Michael A Pratt

(74) *Attorney, Agent, or Firm* — Walter Ottesen

(57) **CLAIM**

The ornamental design for a rifle scope, as shown and described.

DESCRIPTION

FIG. 1 is a perspective view of the rifle scope of our new design;

FIG. 2 is a top plan view of said rifle scope of FIG. 1;

FIG. 3 is a bottom plan view of said rifle scope of FIG. 1;

FIG. 4 is a left side elevation view of said rifle scope of FIG. 1;

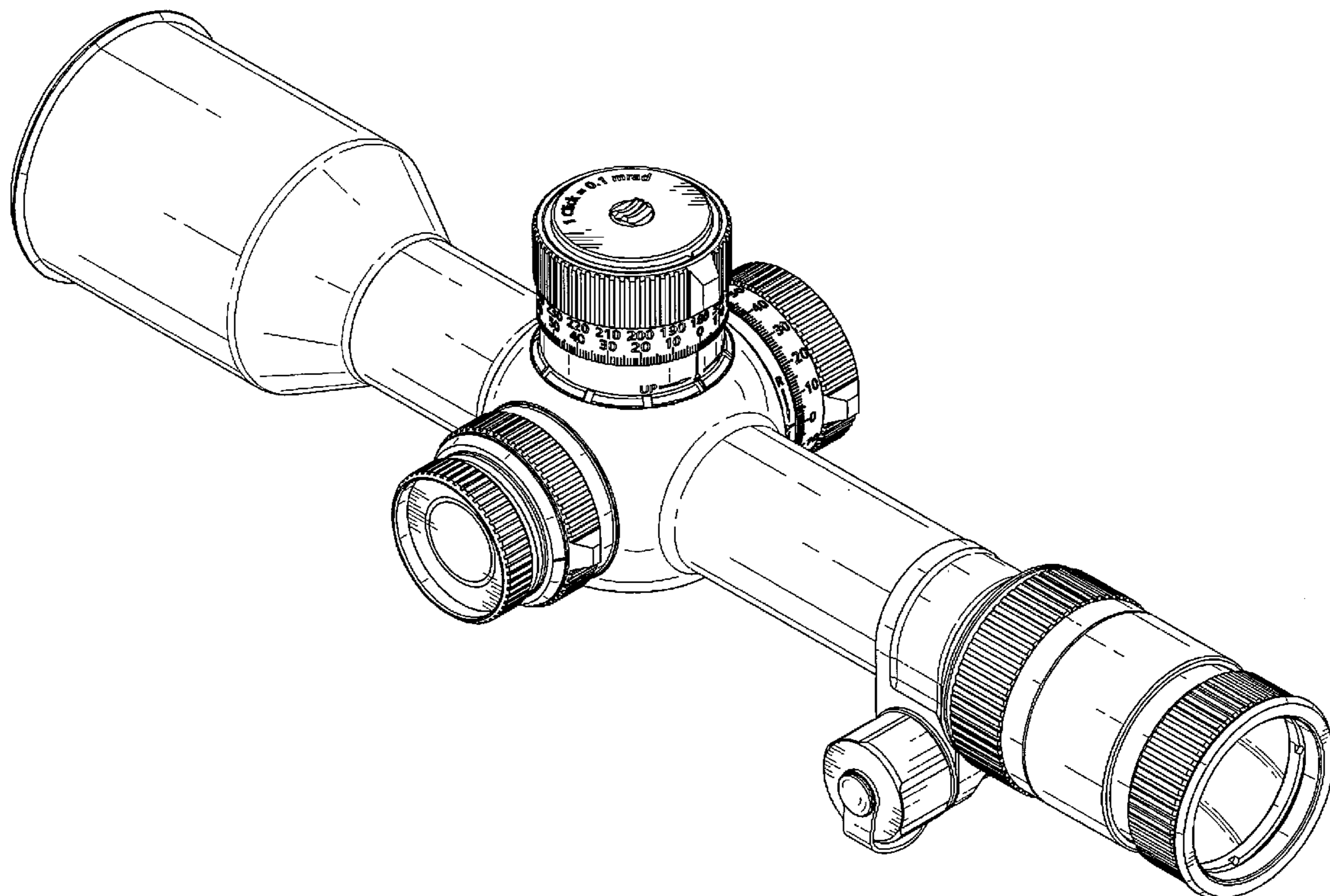
FIG. 5 is a right side elevation view of said rifle scope of FIG. 1;

FIG. 6 is a front elevation view of said rifle scope of FIG. 1; and,

FIG. 7 is a rear elevation view of said rifle scope of FIG. 1.

The broken lines in FIGS. 1 and 6 are included for the purpose of illustrating a portion of the rifle scope that forms no part of the claimed design.

1 Claim, 4 Drawing Sheets



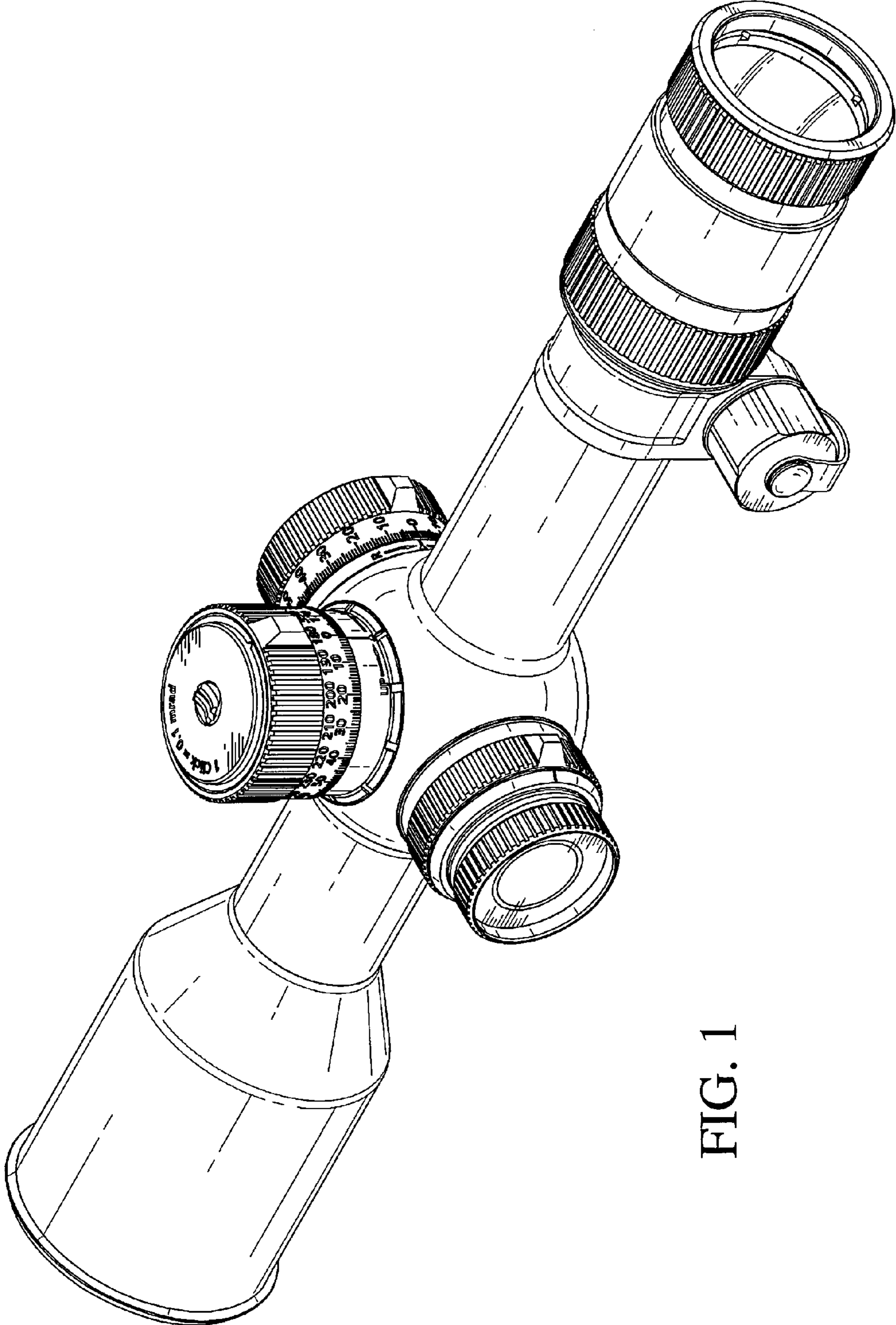


FIG. 1

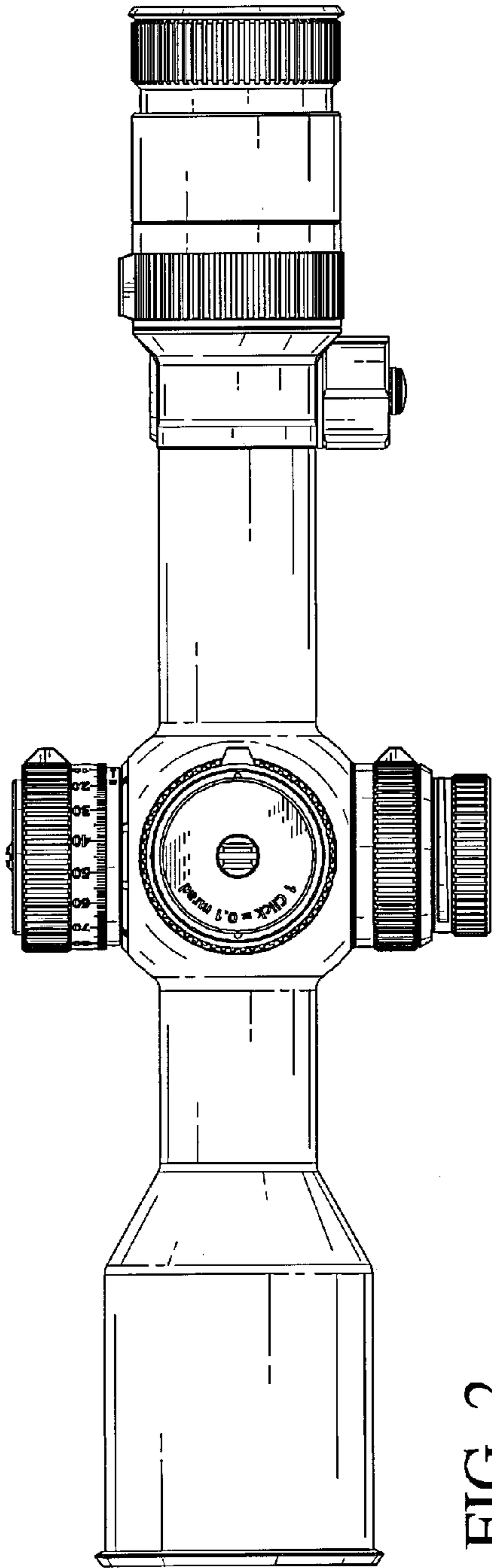


FIG. 2

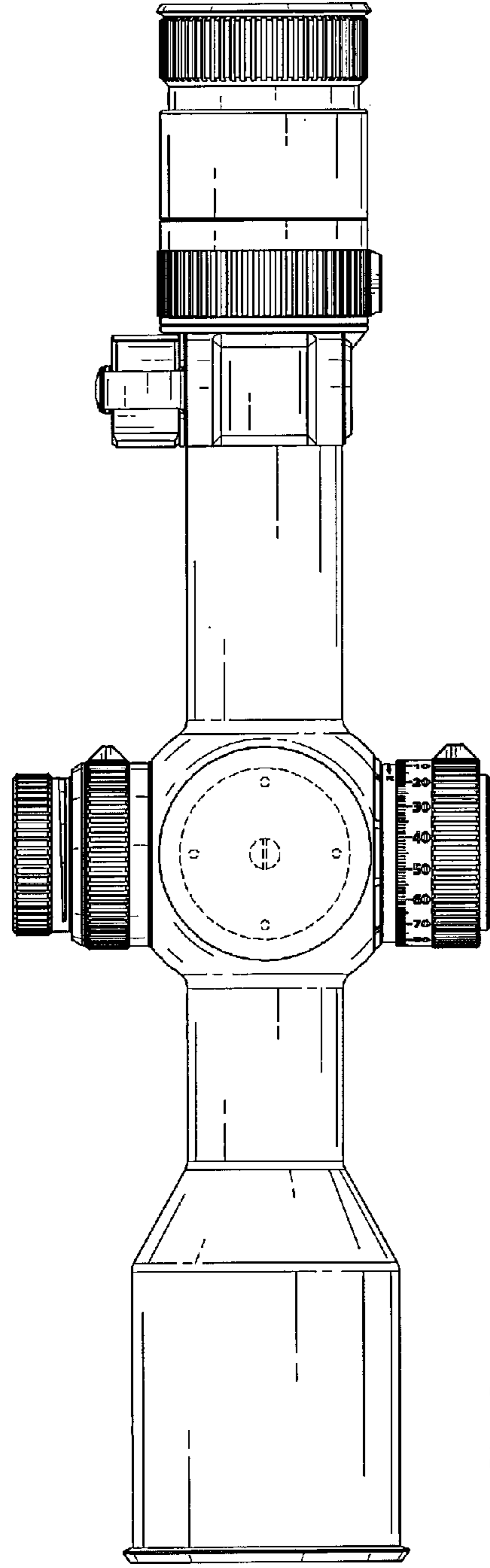
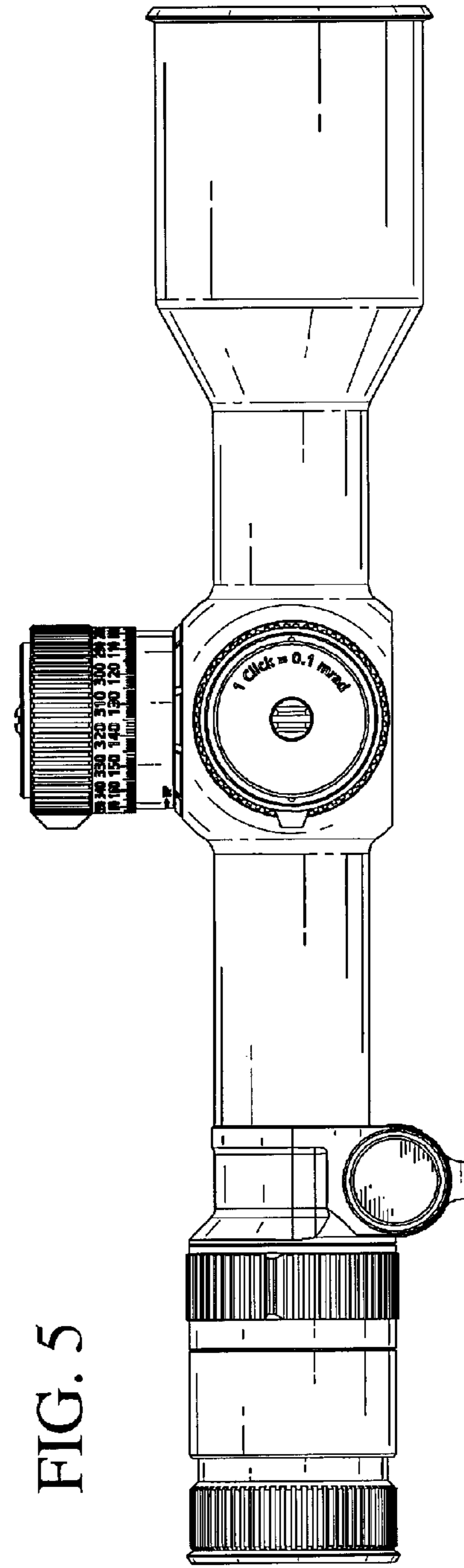
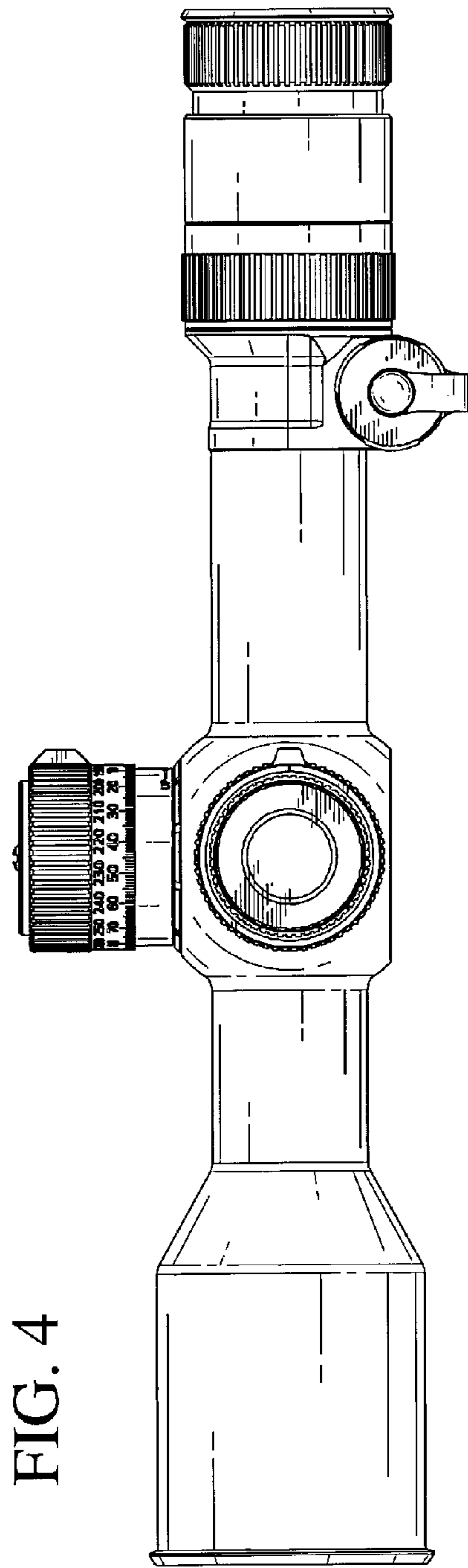


FIG. 3



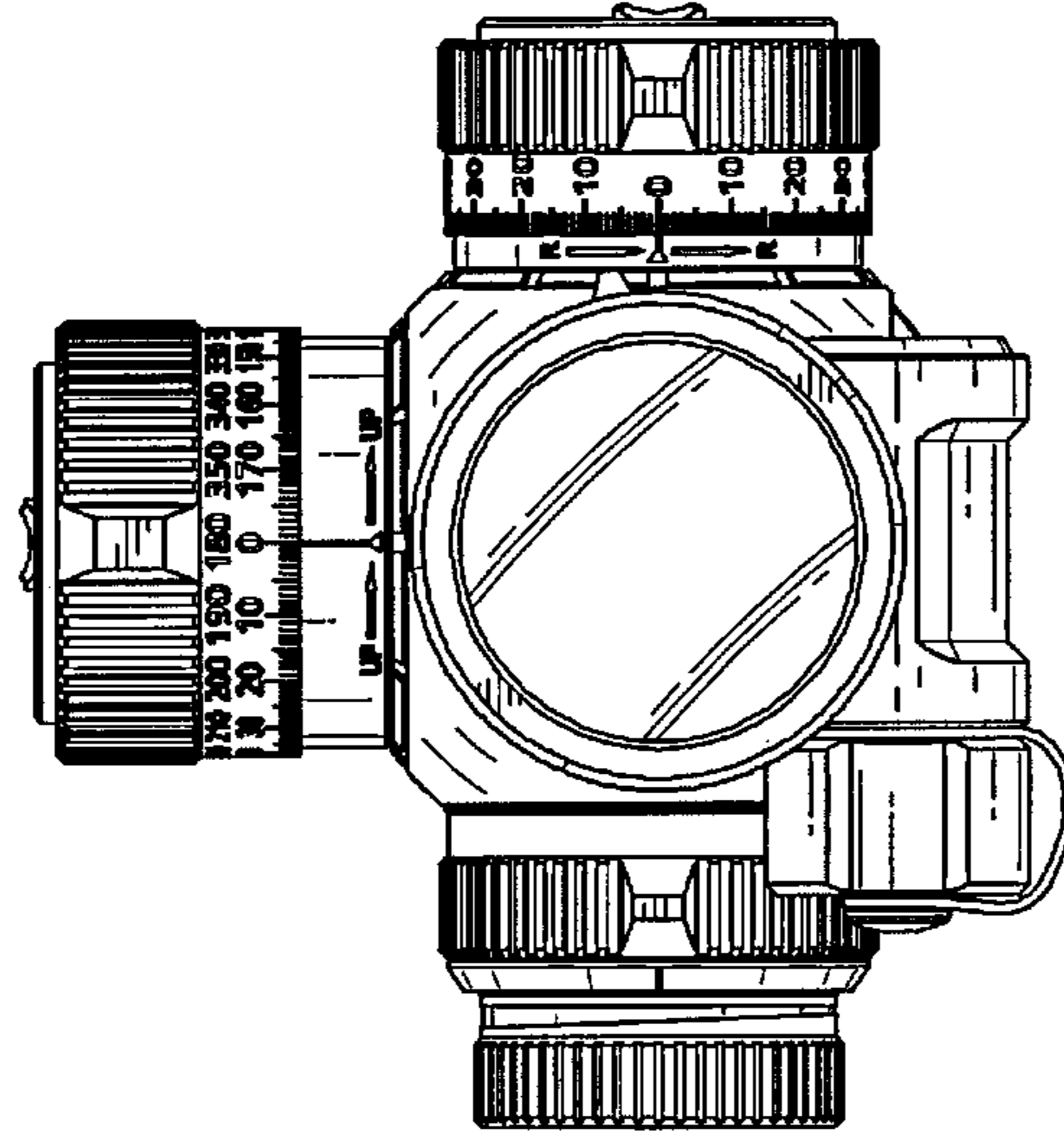


FIG. 6

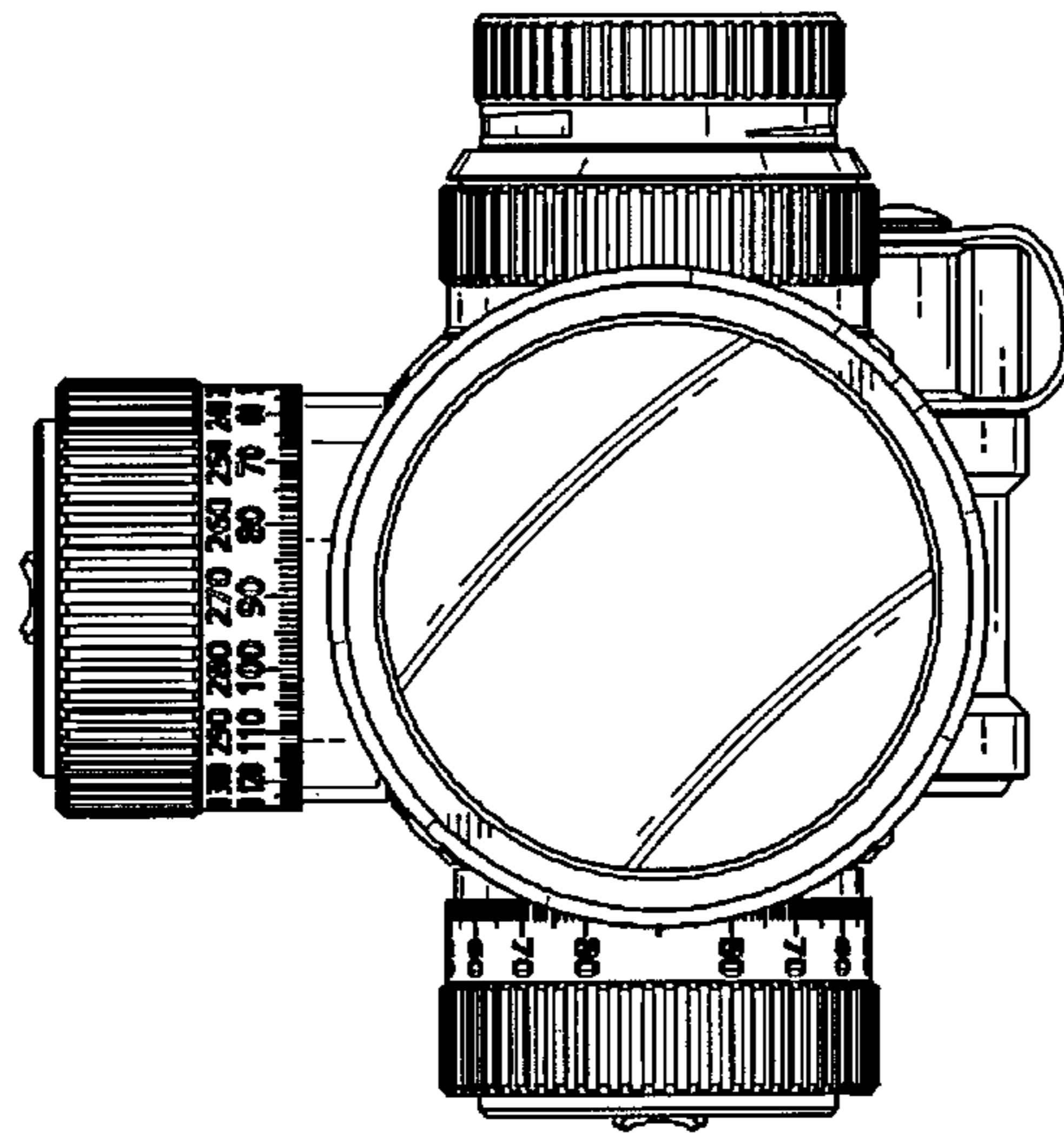


FIG. 7