



US00D681151S

(12) **United States Design Patent**
Fitzpatrick et al.

(10) **Patent No.:** **US D681,151 S**
(45) **Date of Patent:** **** Apr. 30, 2013**

(54) **FIREARM MAGAZINE WITH WINDOW**

(75) Inventors: **Richard Fitzpatrick**, Longmont, CO (US); **Michael T. Mayberry**, Denver, CO (US); **Brian Nakayama**, Arvada, CO (US)

(73) Assignee: **Magpul Industries Corporation**, Erie, CO (US)

(**) Term: **14 Years**

(21) Appl. No.: **29/410,864**

(22) Filed: **Jan. 12, 2012**

(51) **LOC (9) Cl.** **22-01**

(52) **U.S. Cl.**
USPC **D22/108**

(58) **Field of Classification Search** D22/100–116;
D21/572, 573; 124/66, 67, 74; 42/51, 71.01,
42/75.01, 75.02, 90, 94; 362/110; 33/241;
89/40.06, 37.04, 33.04, 191.01
See application file for complete search history.

(56) **References Cited**

U.S. PATENT DOCUMENTS

| | | | | |
|--------------|------|---------|--------------------|---------|
| 4,139,959 | A * | 2/1979 | Howard et al. | 42/50 |
| D593,635 | S * | 6/2009 | Fitzpatrick et al. | D22/108 |
| D600,303 | S * | 9/2009 | Fitzpatrick et al. | D22/108 |
| D614,719 | S * | 4/2010 | Fitzpatrick et al. | D22/108 |
| D614,720 | S * | 4/2010 | Fitzpatrick et al. | D22/108 |
| D614,721 | S * | 4/2010 | Fitzpatrick et al. | D22/108 |
| D616,057 | S * | 5/2010 | Fitzpatrick et al. | D22/108 |
| D620,544 | S * | 7/2010 | Fitzpatrick et al. | D22/108 |
| D620,545 | S * | 7/2010 | Fitzpatrick et al. | D22/108 |
| 7,798,045 | B1 * | 9/2010 | Fitzpatrick et al. | 89/1.4 |
| D633,164 | S * | 2/2011 | Fitzpatrick et al. | D22/108 |
| D633,589 | S * | 3/2011 | Fitzpatrick et al. | D22/108 |
| 2010/0251590 | A1 * | 10/2010 | Fitzpatrick et al. | 42/50 |

OTHER PUBLICATIONS

Brownells_2012_AR15-M16_20-30-Round_Magazines
Brownells (2012) AR-15/M16 20- & 30-Round Magazines; Website [Online] Available Web Site: <http://www.brownells.com/.aspx/pid=21225/Product/AR-15-M16-20-30-Round-Magazines>; Last Update: unknown; Accessed on May 4, 2012.

(Continued)

Primary Examiner — Michael A Pratt

(74) *Attorney, Agent, or Firm* — Swanson & Bratschun, L.L.C.

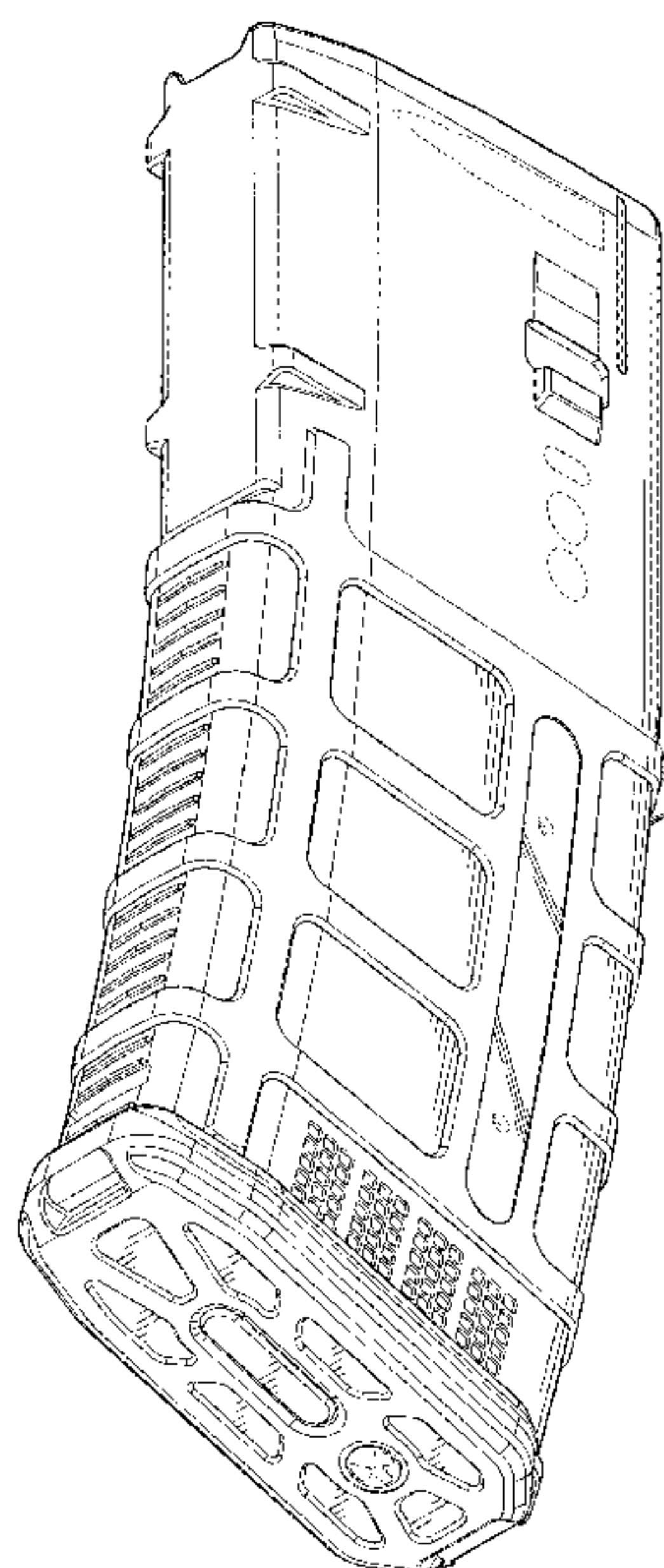
(57) **CLAIM**

The ornamental design for a firearm magazine with window, as shown and described.

DESCRIPTION

FIG. 1 is a front, left, bottom perspective view of a firearm magazine with window showing our new design;
FIG. 2 is a right side elevation view of the firearm magazine with window of FIG. 1;
FIG. 3 is a left side elevation view of the firearm magazine with window of FIG. 1;
FIG. 4 is a top plan view of the firearm magazine with window of FIG. 1;
FIG. 5 is a bottom plan view of the firearm magazine with window of FIG. 1;
FIG. 6 is a front elevation view of the firearm magazine with window of FIG. 1;
FIG. 7 is a rear elevation view of the firearm magazine with window of FIG. 1; and,
FIG. 8 is a rear, right, bottom perspective view of the firearm magazine with window of FIG. 1.
The broken lines showing portions of the design in all figures is included for the purpose of illustrating environment and unclaimed features and forms not part of the claimed design.

1 Claim, 6 Drawing Sheets



OTHER PUBLICATIONS

Cheaperthandirt_com_2010_Mag_AR-15_223_Orlite
Cheaperthandirt.com (Apr. 20, 2010) Mag AR-15.223 Orlite 30
Round Israeli Shows Field Use; Website [Online] Available Web Site:
<http://www.cheaperthandirt.com/MAG105-1.html>; Last Update:
Unknown; Accessed on: Apr. 20, 2010.
HKParts_net_2010_SL8_20_Round_Single_Stack_Magazine
HK Parts.net (May 7, 2010) SL8 20 Round Single Stack Magazine;
Website [Online] Available Web Site:[http://www.hkparts.net/shop/
pc/SL8-20-Round-Single-Stack-Magazine-182p805.htm](http://www.hkparts.net/shop/pc/SL8-20-Round-Single-Stack-Magazine-182p805.htm); Last
Update: Jul. 6, 2010; Accessed on May 4, 2012.
Lancer_Systems_2012_AWM_Magazine Lancer Systems (2012)
L5 AWM Magazine; Website [Online] Available Web Site: [http://
www.lancer-systems.com/L5_AWM.html](http://www.lancer-systems.com/L5_AWM.html); Last Update: Unknown;
Accessed on: May 4, 2012.
Lancer_Systems_2010_L5_Translucent_Magazine_20-30_
Round Lancer Systems (Apr. 16, 2010) L5 Translucent Magazine 2-
& 30 Round Magazines; Website [Online] Available Web Site: [\[www.lancer-systems.com/L5_2010_30.html\]\(http://www.lancer-systems.com/L5_2010_30.html\); Last Update: Nov.
14, 2010; Accessed on: May 4, 2012.
Magpul_2010_PMAG_Magazines Magpul \(Jan. 3, 2010\) PMAG
Magazines; Website \[Online\] Available Web Site: \[http://store.
magpul.com/prod_detail_list/2\]\(http://store.magpul.com/prod_detail_list/2\) Last Update: Dec. 2, 2010 Accessed
on: May 4, 2012.
Remtek_com_1999_Steyr_AUG_Magazine_Group Remtek.
com \(Oct. 4, 1999\) Steyr AUG Magazine Group; Website \[Online\]
Available Web Site: \[http://www.remtek.com/arms/steyr/aug/specs/
magazine/magazine.htm\]\(http://www.remtek.com/arms/steyr/aug/specs/magazine/magazine.htm\) Last Update: Apr. 7, 2009; Accessed on:
May 4, 2012.
ThermoldMagazines_com_2012_M-16AR-M15-30-Magazines
Thermoldmagazines.com \(2012\) M-16/AR-15/30-Magazine;
Website \[Online\] Available Web Site: \[http://www.
thermoldmagazines.com/collections/magazines-accessories/prod-
ucts/m-16-ar-15-30-magazine\]\(http://www.thermoldmagazines.com/collections/magazines-accessories/products/m-16-ar-15-30-magazine\); Last Update: Unknown; Accessed
on: May 4, 2012.](http://</p></div><div data-bbox=)

* cited by examiner

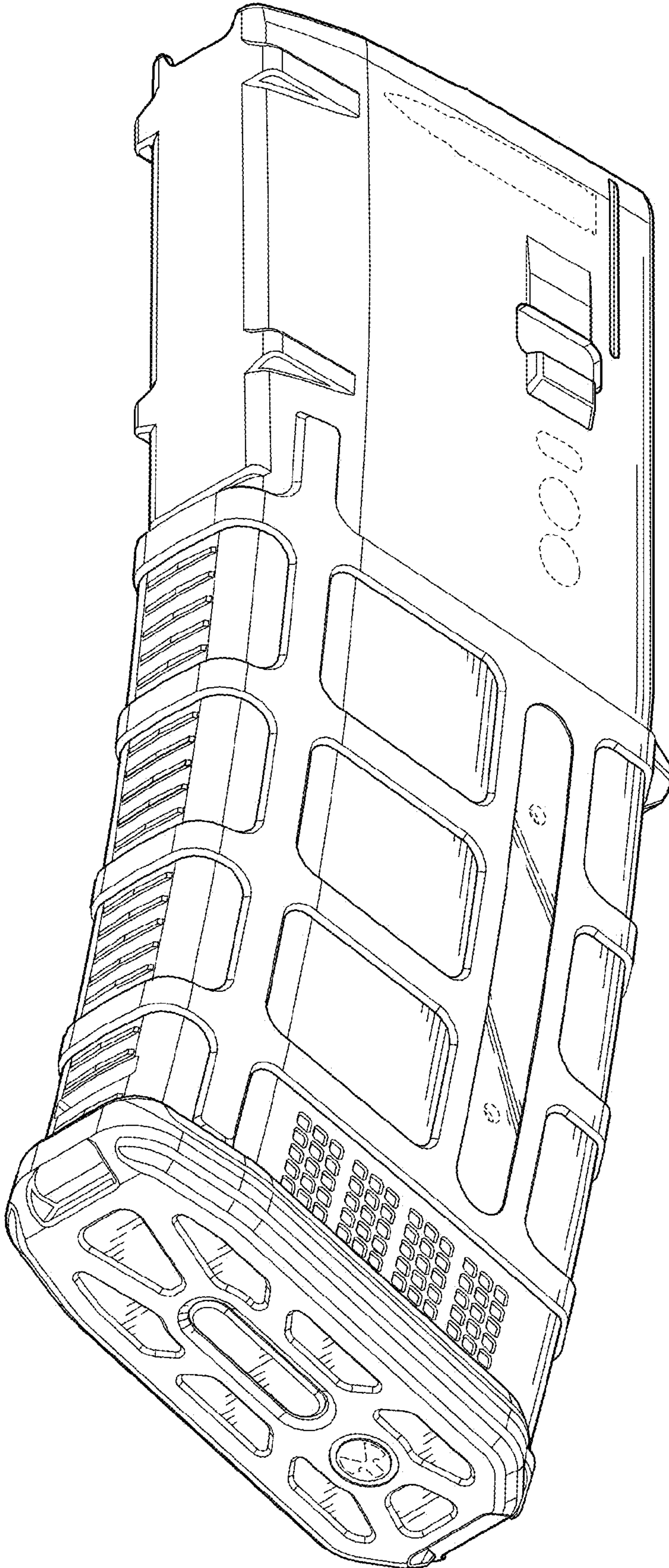


FIG. 1

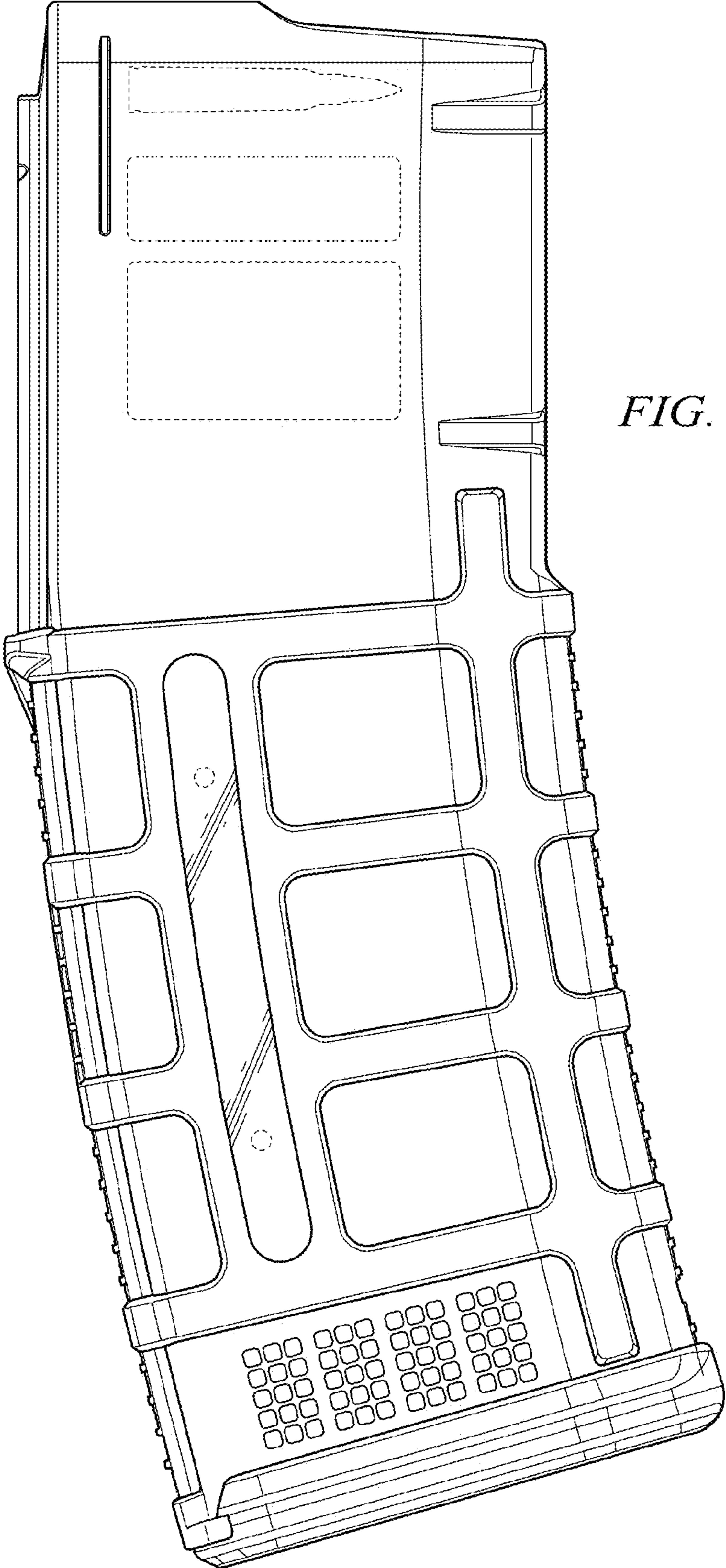
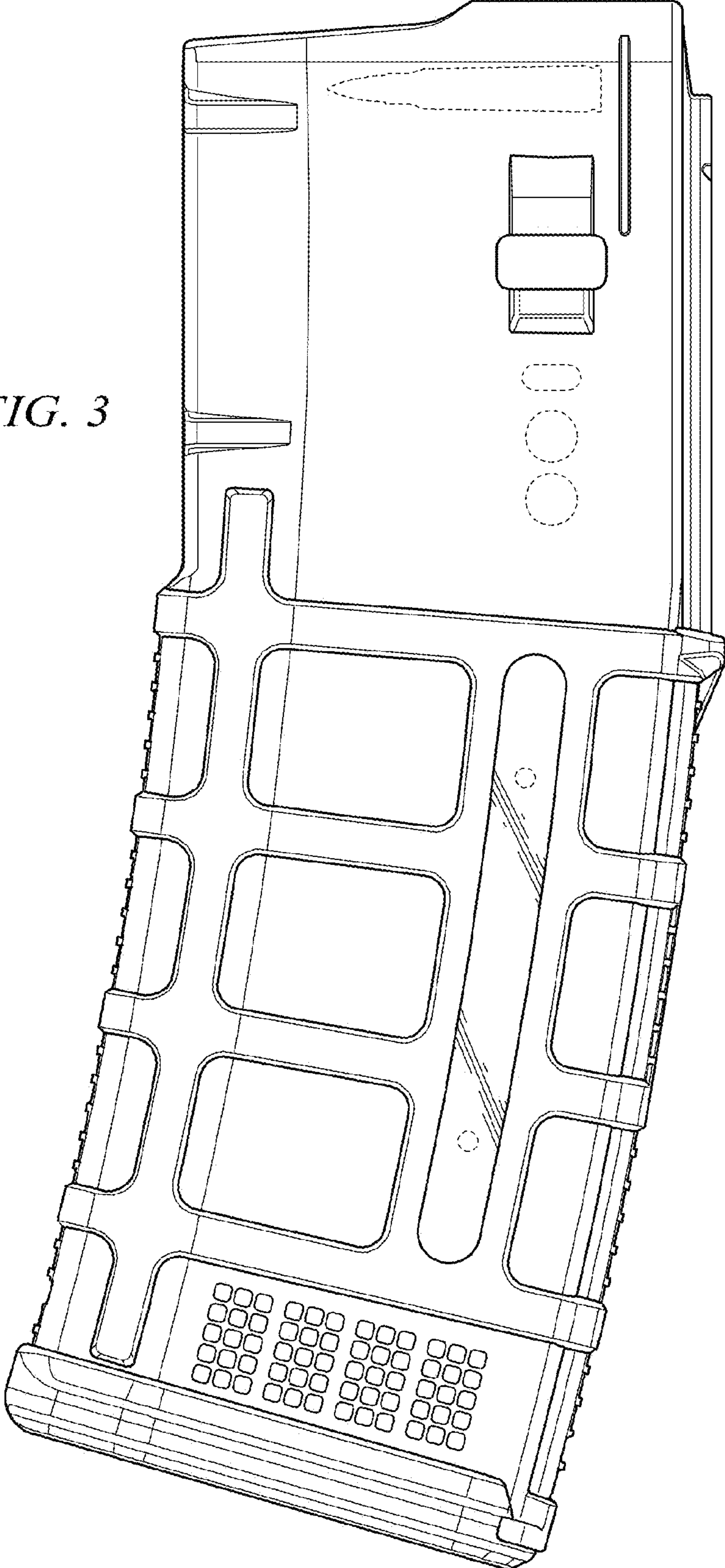


FIG. 2

FIG. 3



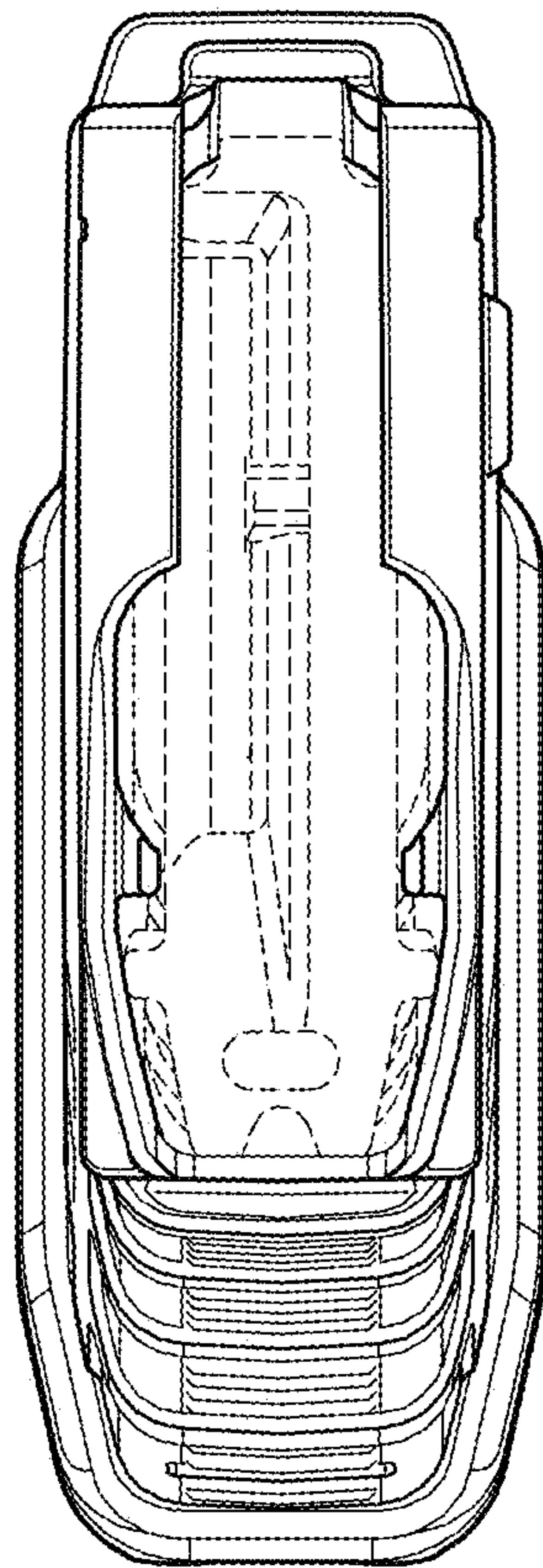


FIG. 4

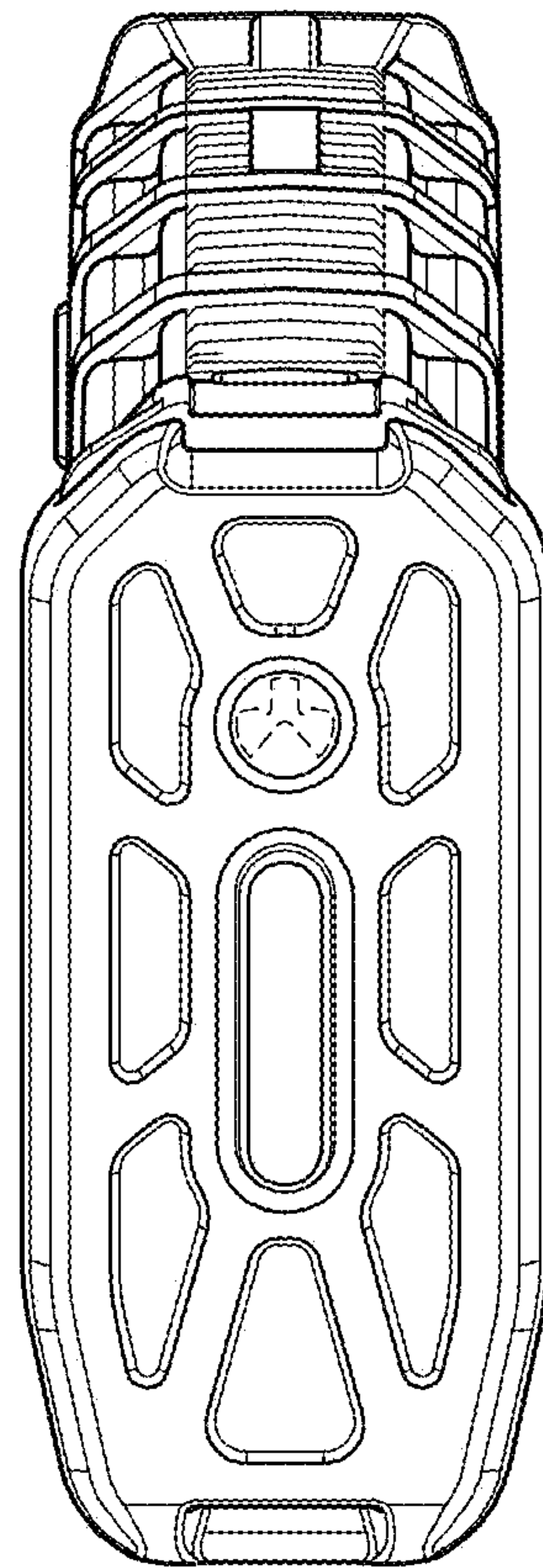


FIG. 5

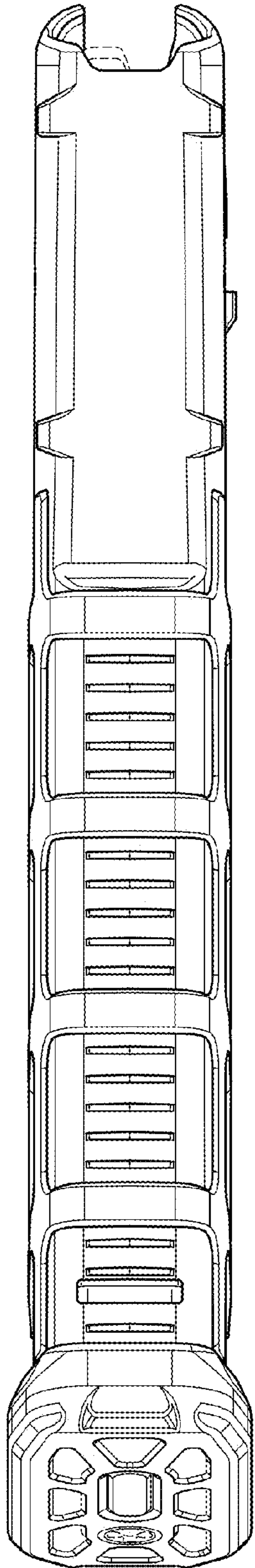


FIG. 6

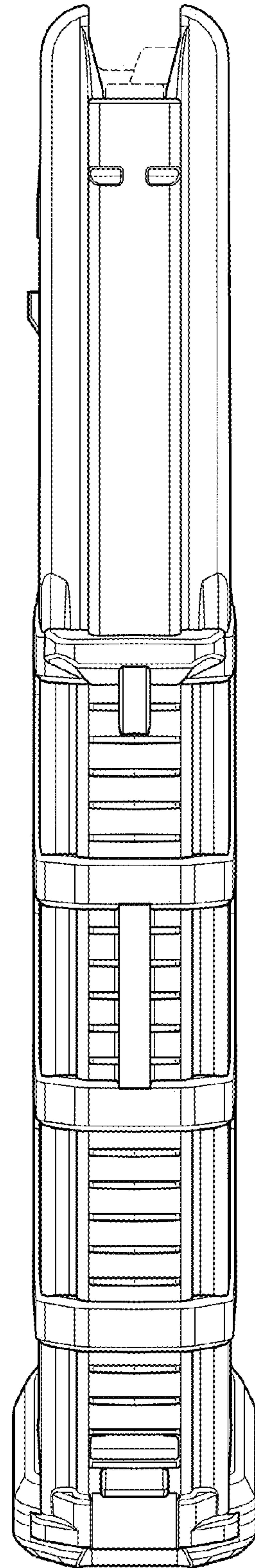


FIG. 7

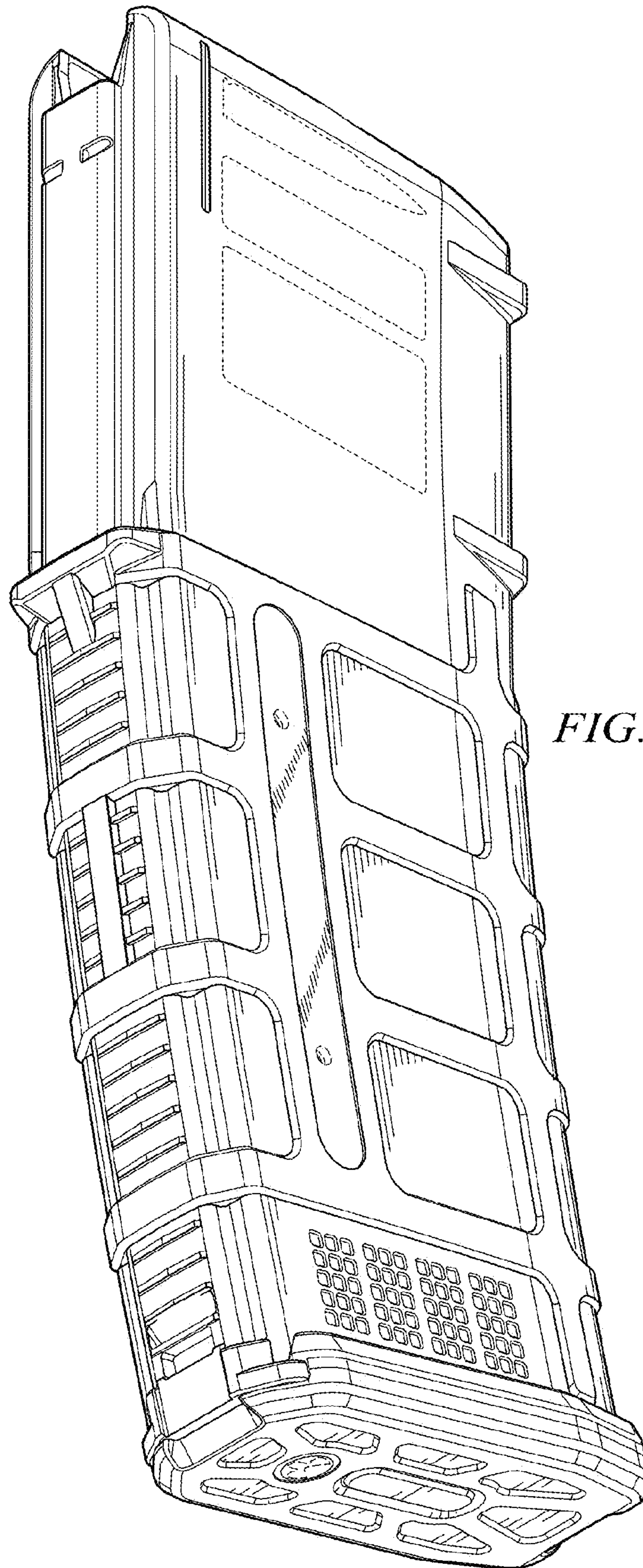


FIG. 8