



US00D681149S

(12) **United States Design Patent**
Lee

(10) **Patent No.:** **US D681,149 S**

(45) **Date of Patent:** **** Apr. 30, 2013**

(54) **CROSSBOW STOCK**

(75) Inventor: **Victor Lee**, Secaucus, NJ (US)

(73) Assignee: **Falcon Outdoors, LLC**, Secaucus, NJ (US)

(**) Term: **14 Years**

(21) Appl. No.: **29/414,641**

(22) Filed: **Mar. 1, 2012**

(51) **LOC (9) Cl.** **22-01**

(52) **U.S. Cl.**
USPC **D22/107**

(58) **Field of Classification Search** D22/107;
124/23.1, 25.6, 86, 88; D21/572
See application file for complete search history.

(56) **References Cited**

U.S. PATENT DOCUMENTS

D590,907 S *	4/2009	Barnett	D22/107
8,141,547 B2 *	3/2012	Bednar et al.	124/25
8,220,445 B2 *	7/2012	Bednar et al.	124/25
8,225,777 B2 *	7/2012	Chu	124/25
2012/0222661 A1 *	9/2012	Bednar et al.	124/25

* cited by examiner

Primary Examiner — Michael A Pratt

(74) *Attorney, Agent, or Firm* — Luedeka Neely Group, PC

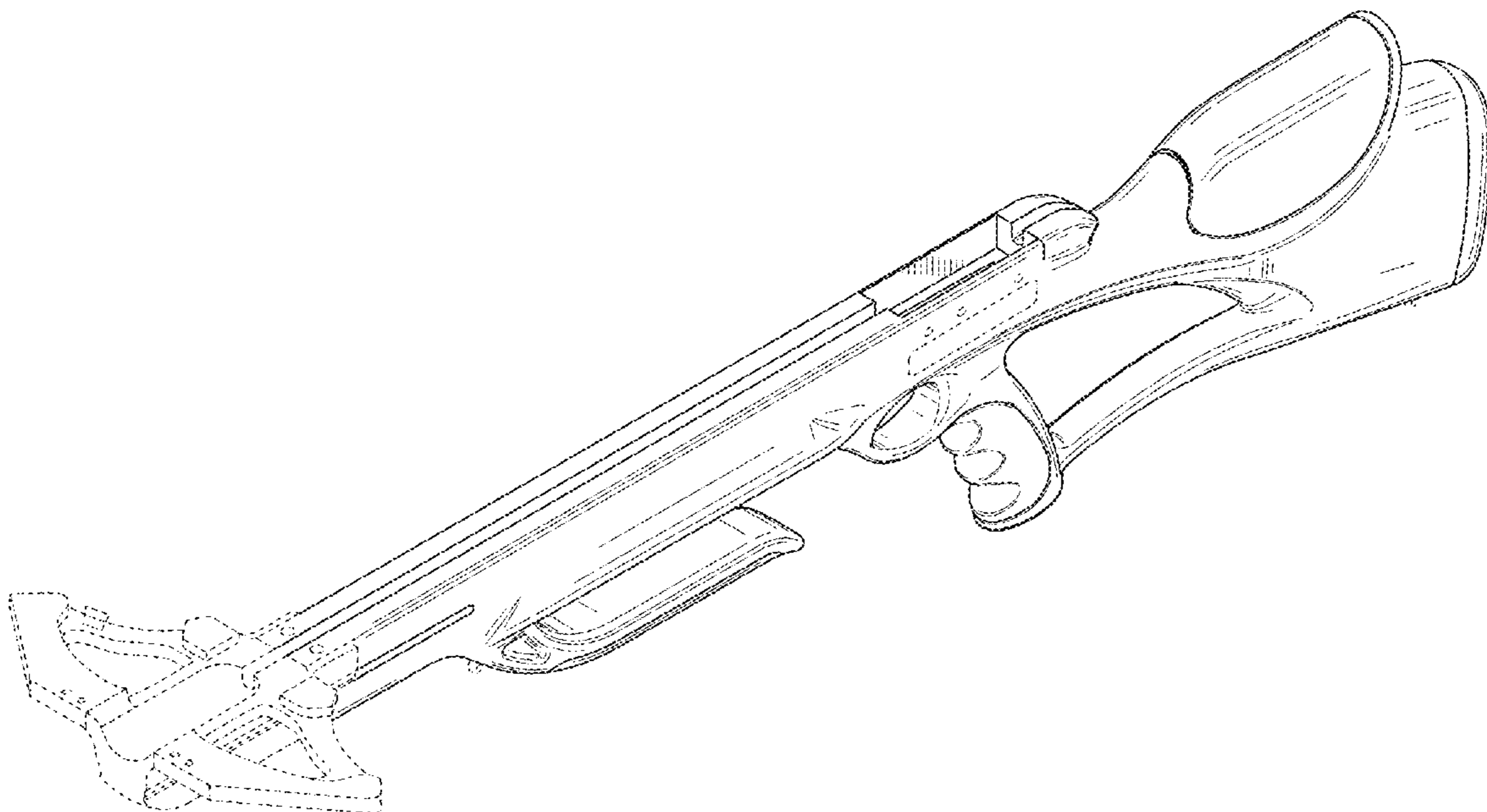
(57) **CLAIM**

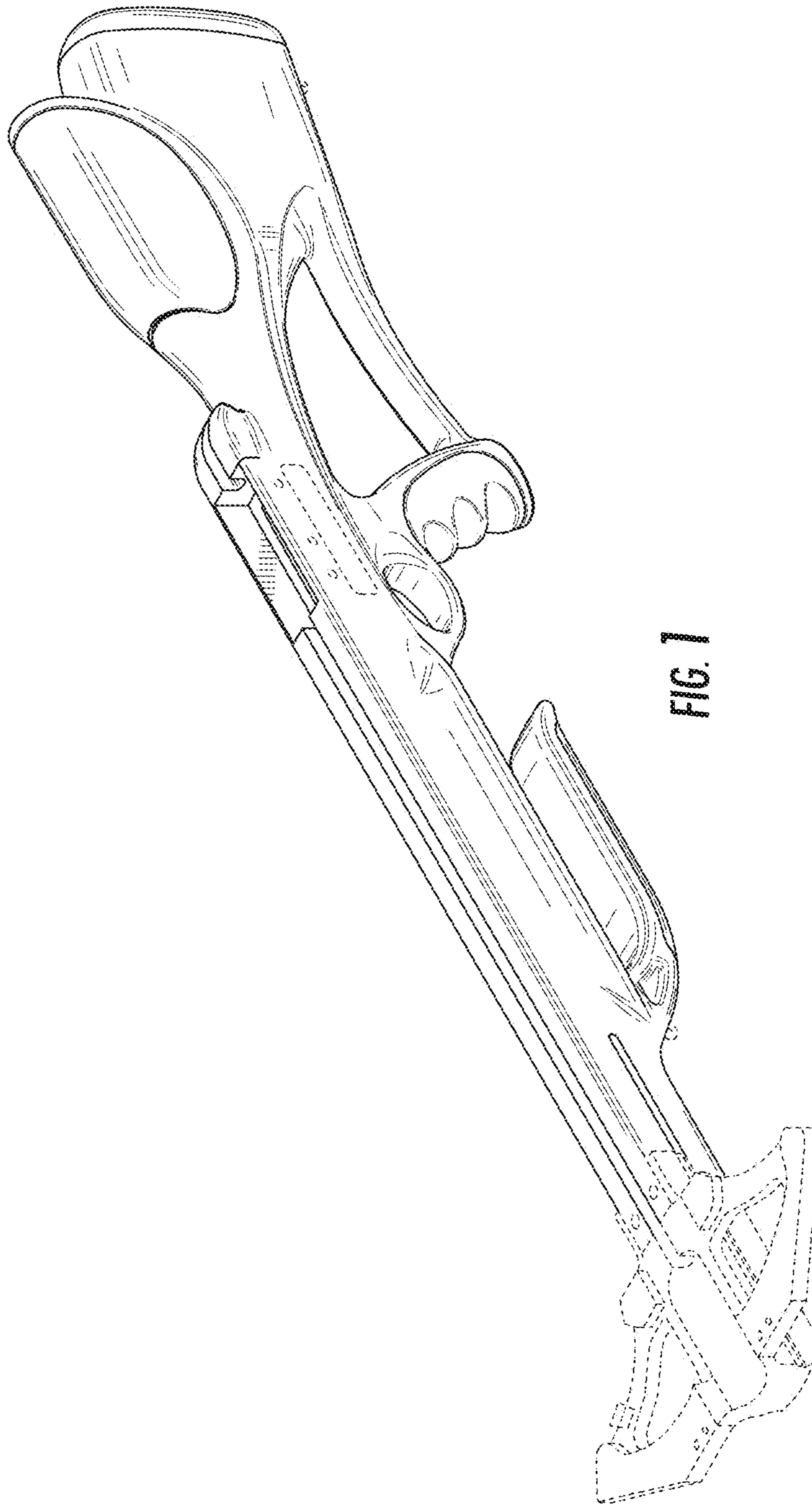
The ornamental design for a crossbow stock, as shown and described.

DESCRIPTION

FIG. 1 is a perspective view of a crossbow stock of my new design;
 FIG. 2 is a side plan view of the crossbow stock of FIG. 1;
 FIG. 3 is a second side plan view of the crossbow stock of FIG. 1;
 FIG. 4 is a top plan view of the crossbow stock of FIG. 1;
 FIG. 5 is a bottom plan view of the crossbow stock of FIG. 1;
 FIG. 6 is a front plan view of the crossbow stock of FIG. 1;
 and,
 FIG. 7 is a rear plan view of the crossbow stock of FIG. 1.
 The broken line portions of the drawings are included for the purpose of illustrating unclaimed structure and form no part of the claimed design.

1 Claim, 6 Drawing Sheets





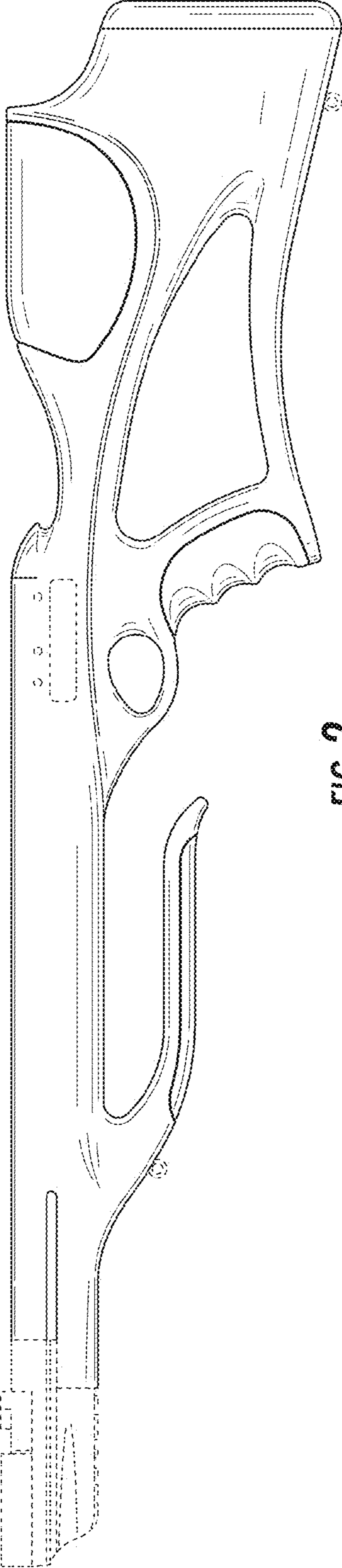


FIG. 2

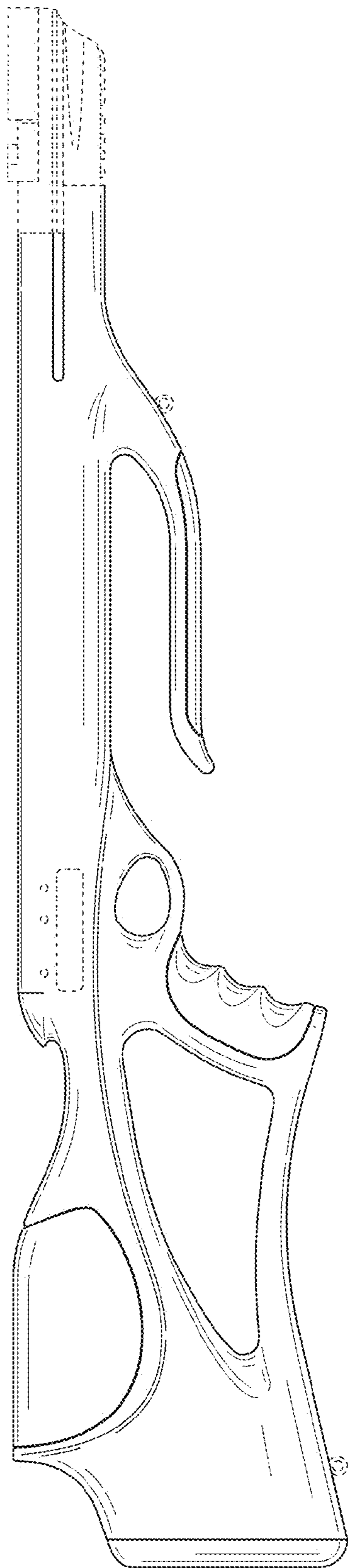


FIG. 3

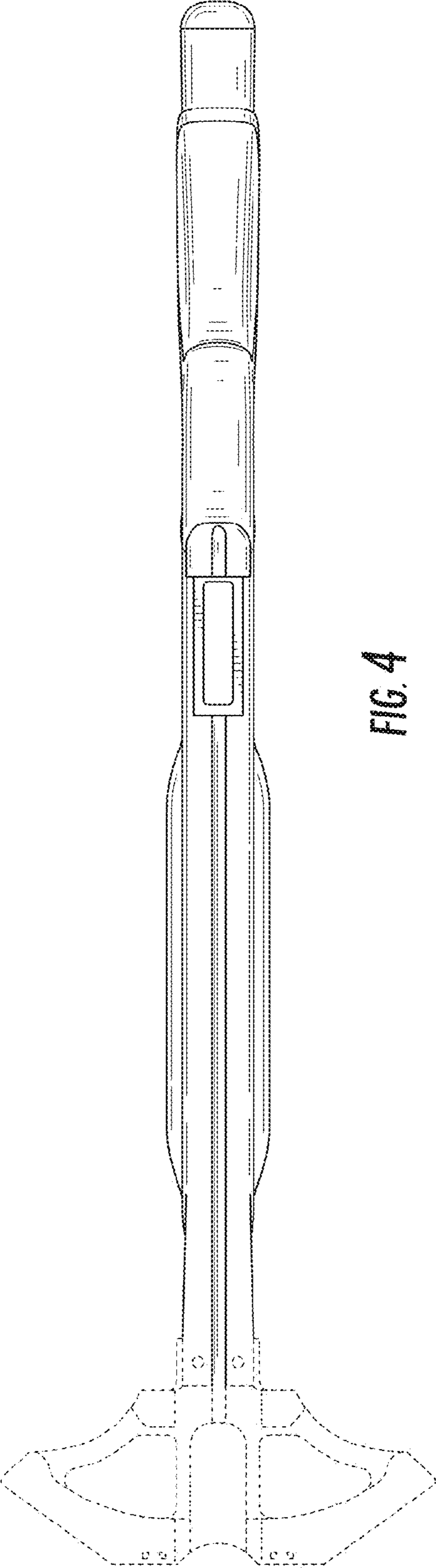


FIG. 4

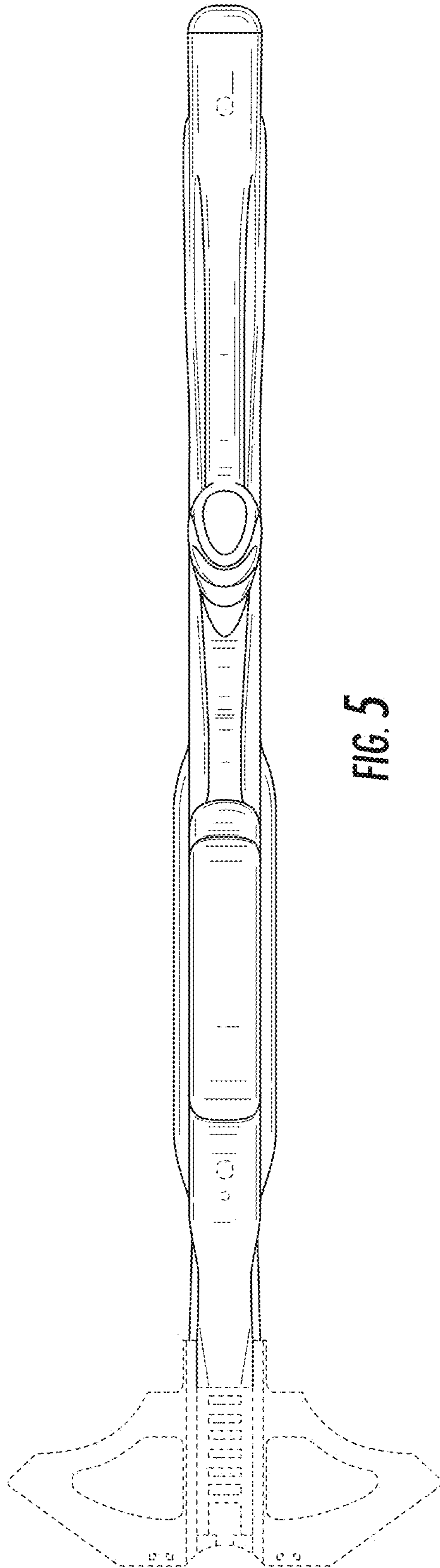


FIG. 5

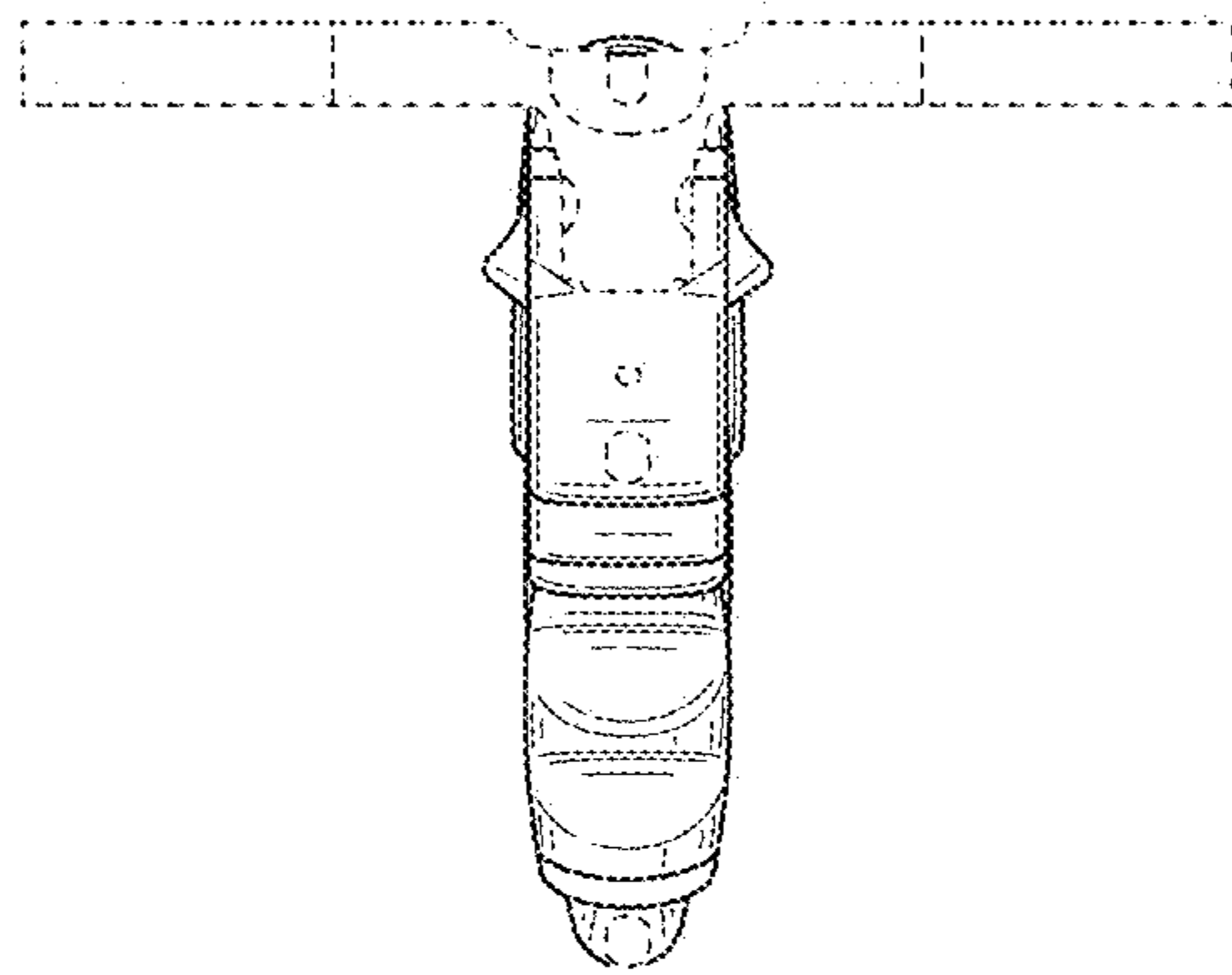


FIG. 6

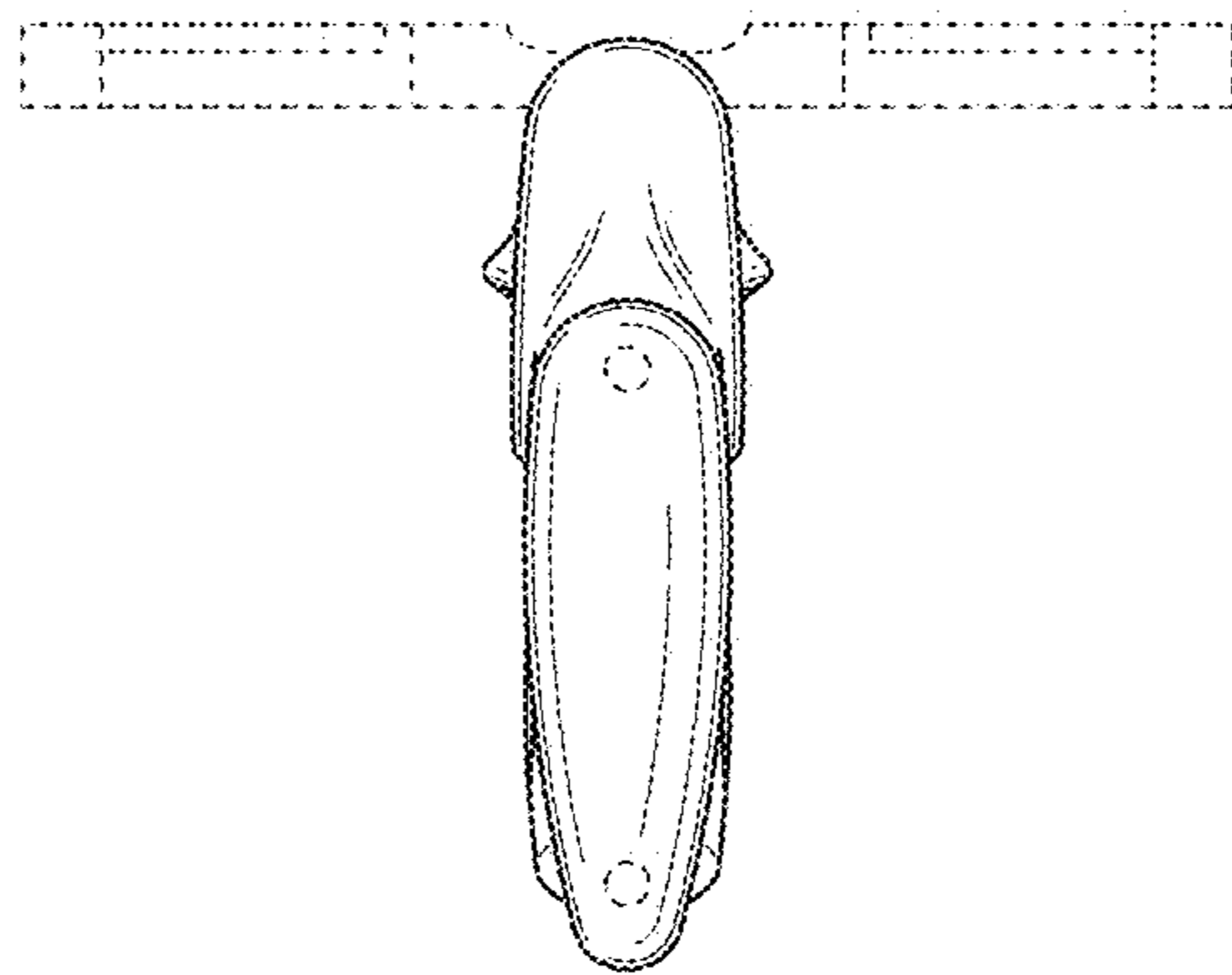


FIG. 7