



US00D681148S

(12) **United States Design Patent**  
**Wilkinson**

(10) **Patent No.:** **US D681,148 S**

(45) **Date of Patent:** **\*\* Apr. 30, 2013**

(54) **INTERMEDIATE PORTION OF A  
BREAKDOWN RIFLE**

(75) Inventor: **Todd Wilkinson**, Goshen, NH (US)

(73) Assignee: **Sturm, Ruger & Company, Inc.**

(\*\*) Term: **14 Years**

(21) Appl. No.: **29/408,373**

(22) Filed: **Dec. 12, 2011**

(51) **LOC (9) Cl.** ..... **22-01**

(52) **U.S. Cl.**  
USPC ..... **D22/103**

(58) **Field of Classification Search** ..... D22/100,  
D22/101, 103, 104, 108, 199; D21/572-575;  
42/51, 71.01, 75.01, 75.02, 90, 94, 134, 136,  
42/139, 125, 72, 111; 89/40.06, 41.19, 37.04,  
89/33.04, 191.01, 200-204; 124/67, 66,  
124/72, 74

See application file for complete search history.

(56) **References Cited**

**U.S. PATENT DOCUMENTS**

592,239	A *	10/1897	Davenport	42/23
3,355,833	A *	12/1967	Ruger et al.	42/23
4,312,146	A *	1/1982	Koon, Jr.	42/75.03
4,467,544	A *	8/1984	Gerwig	42/1.08
4,879,827	A *	11/1989	Gentry	42/23
5,813,158	A *	9/1998	Campbell et al.	42/75.03
6,604,311	B1 *	8/2003	Laney et al.	42/51
7,257,917	B1 *	8/2007	Garland	42/51
7,908,781	B2 *	3/2011	Laney et al.	42/51
7,950,177	B2 *	5/2011	Laney et al.	42/14
8,261,478	B2 *	9/2012	Laney et al.	42/51

2005/0235545	A1 *	10/2005	Roller et al.	42/75.1
2011/0185614	A1 *	8/2011	Laney et al.	42/51
2012/0023800	A1 *	2/2012	Laney	42/8
2012/0240440	A1 *	9/2012	Phair	42/51

**OTHER PUBLICATIONS**

Strum Ruger & Company, Inc., Instruction Manual for Ruger Model 10/22, Autoloading Rifles, pp. 9-10, B, Oct. 2010, R20.

\* cited by examiner

*Primary Examiner* — Michael A Pratt

(74) *Attorney, Agent, or Firm* — The Belles Group, P.C.

(57) **CLAIM**

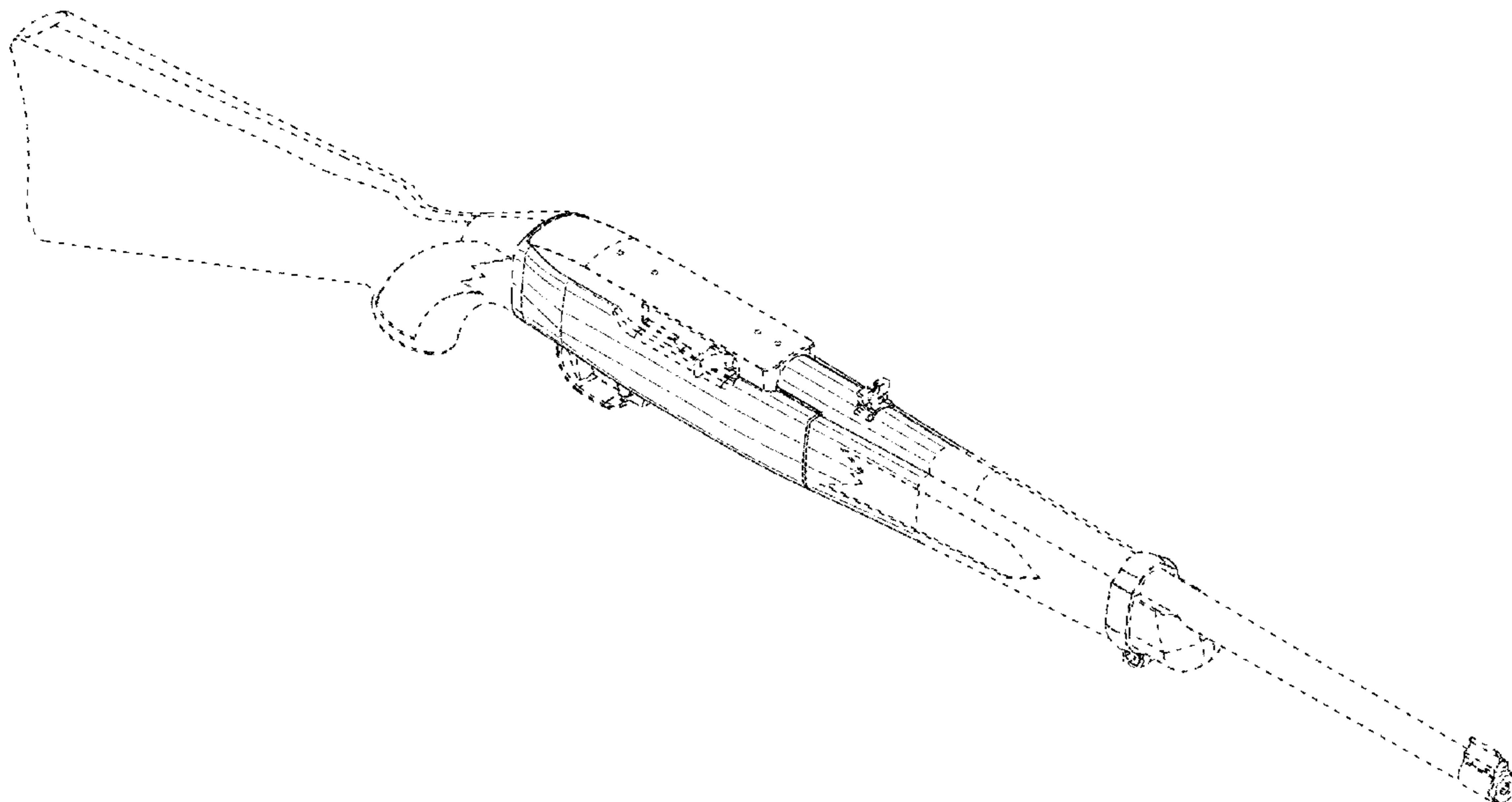
The ornamental design for an intermediate portion of a breakdown rifle, as shown and described.

**DESCRIPTION**

FIG. 1 is a top right side perspective view of an intermediate portion of a breakdown rifle according to the new design; FIG. 2 is a close-up top right side perspective view thereof; FIG. 3 is a close-up bottom right side perspective view thereof; FIG. 4 is a close-up bottom view thereof; FIG. 5 is a close-up right side view thereof; FIG. 6 is a close-up left side view thereof; FIG. 7 is a close-up top view thereof; FIG. 8 is a close-up front view thereof; and, FIG. 9 is a close-up rear view thereof.

All broken dash-dash lines in the above figures are for illustrative purposes only and form no part of the claimed design.

**1 Claim, 6 Drawing Sheets**



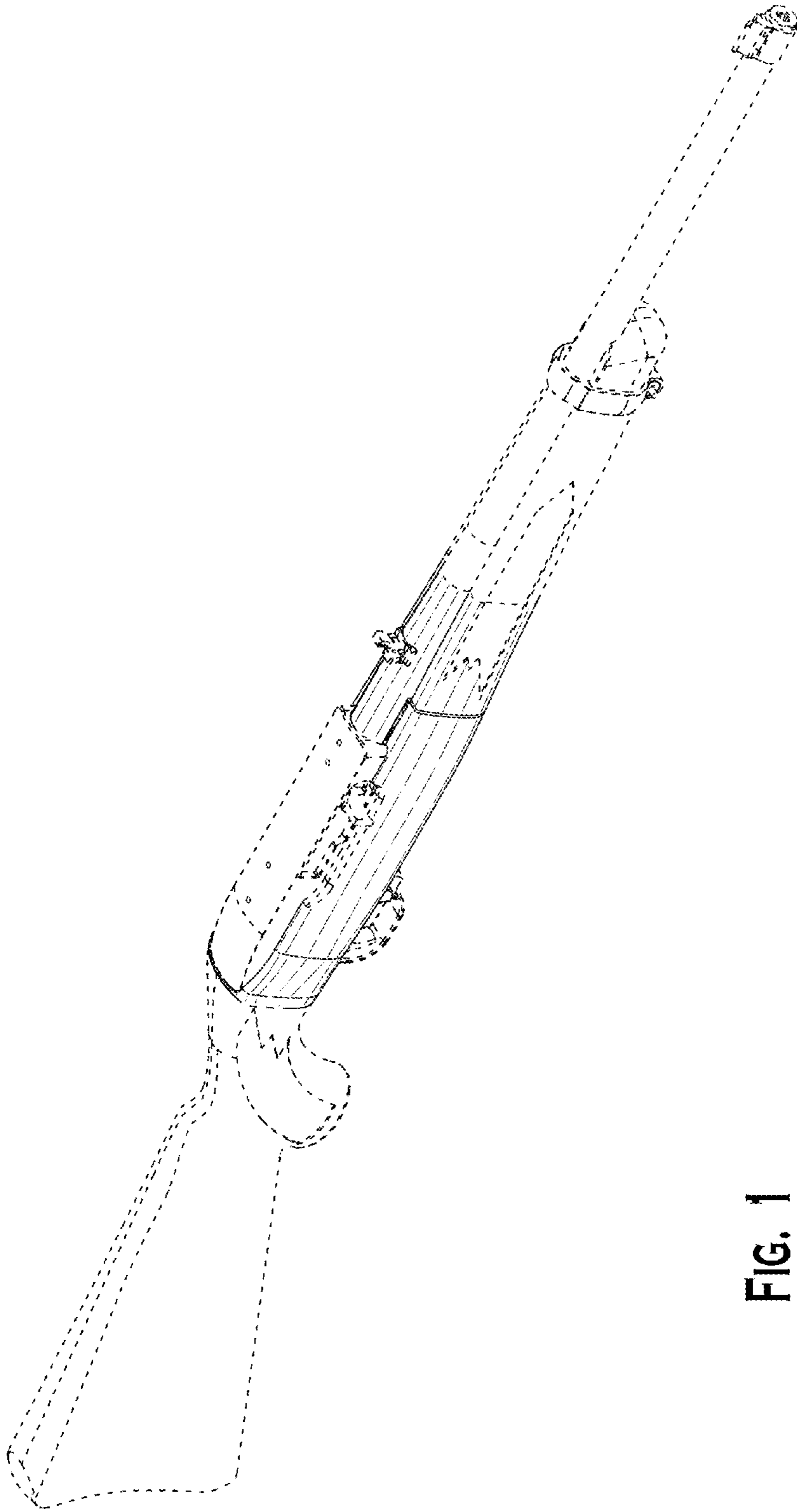


FIG. 1

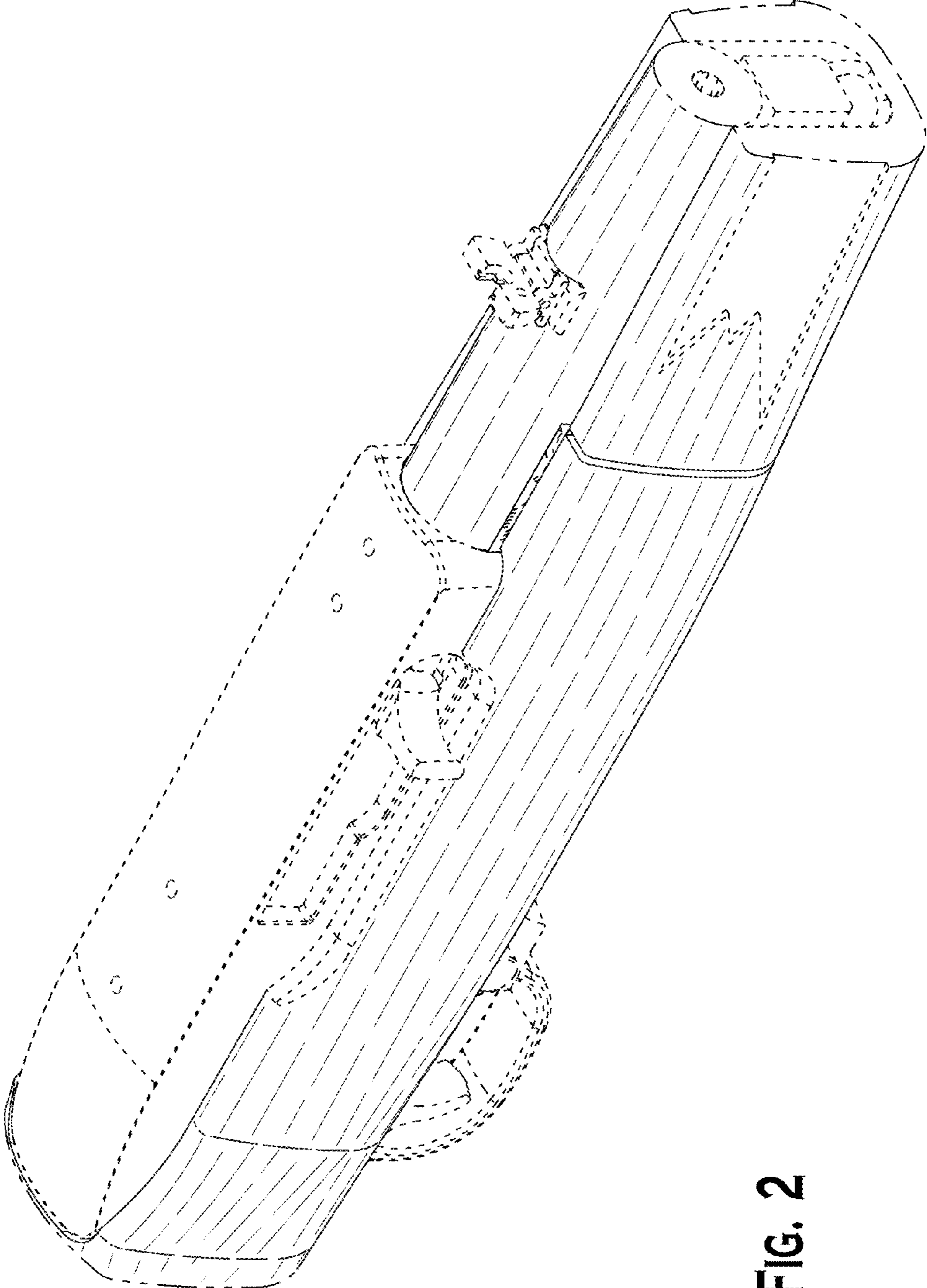


FIG. 2

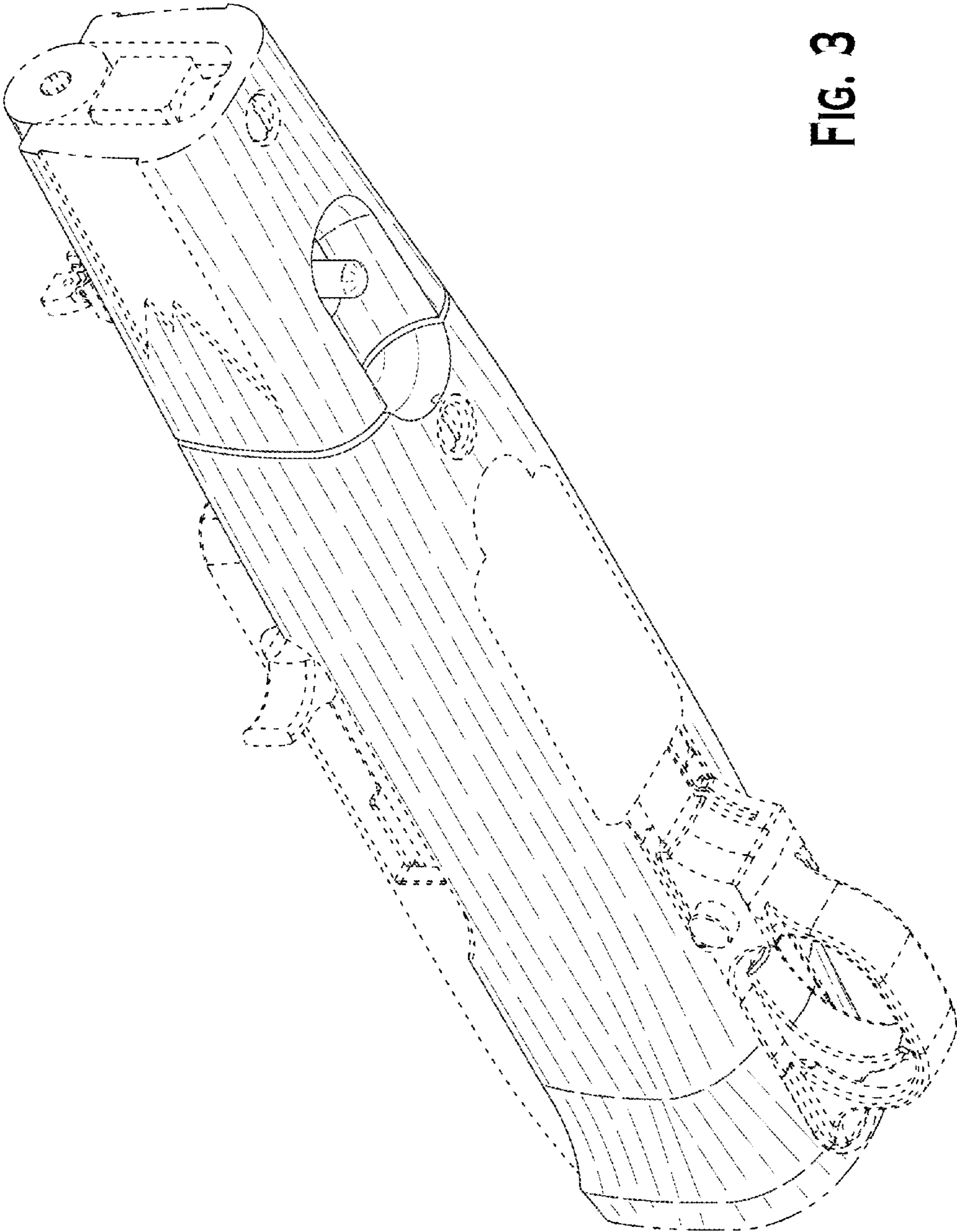


FIG. 3

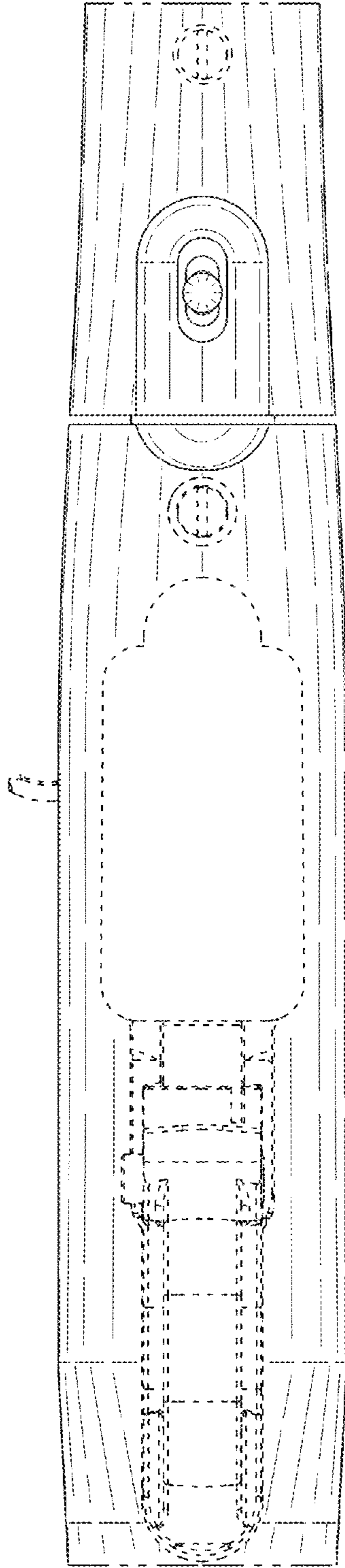


FIG. 4

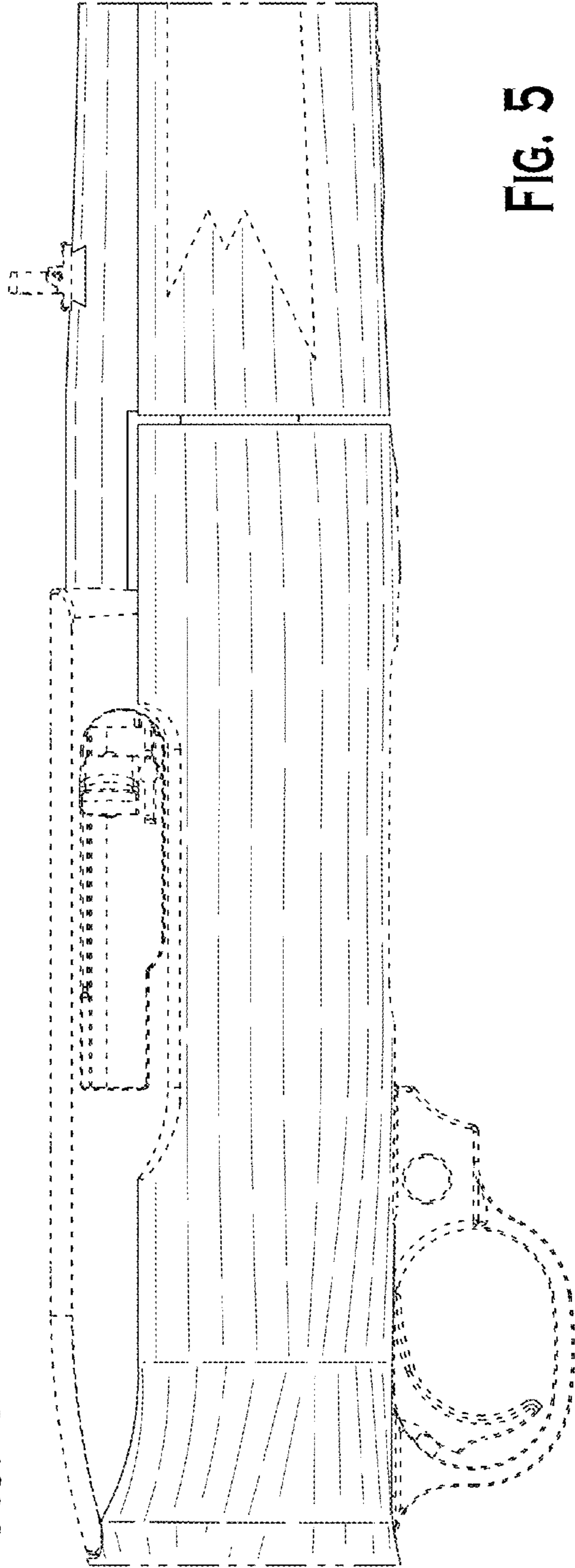


FIG. 5

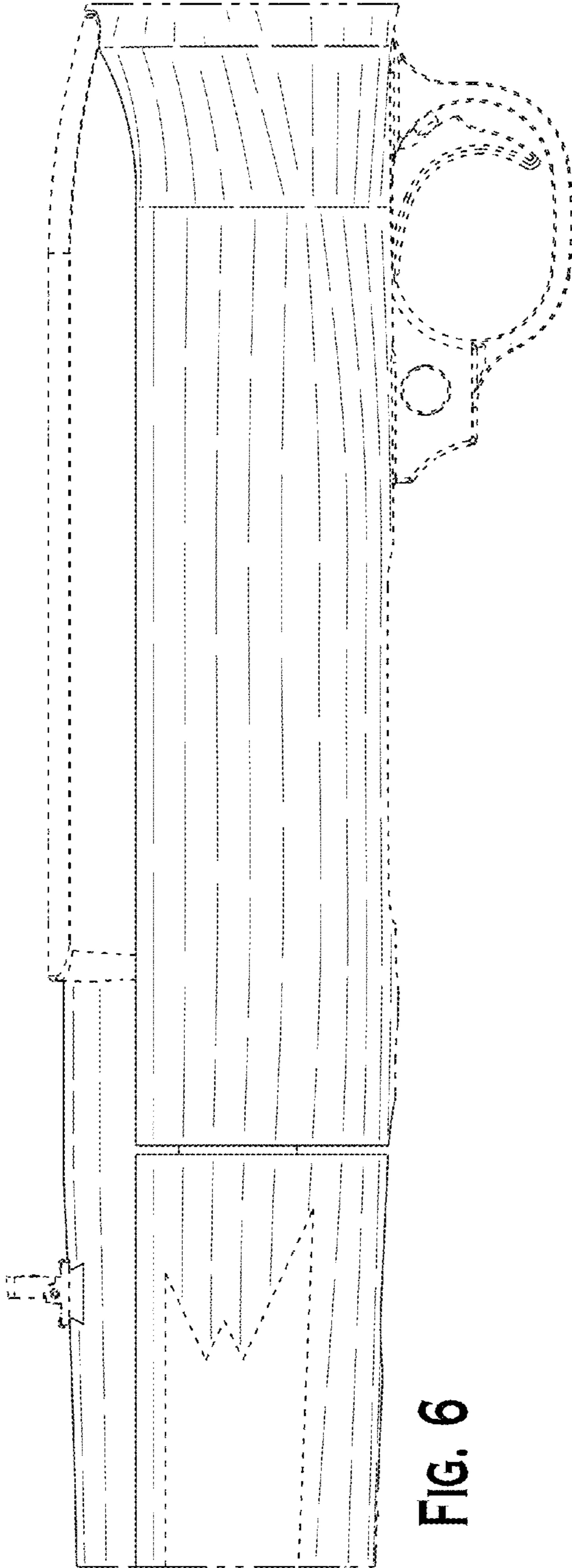


FIG. 6

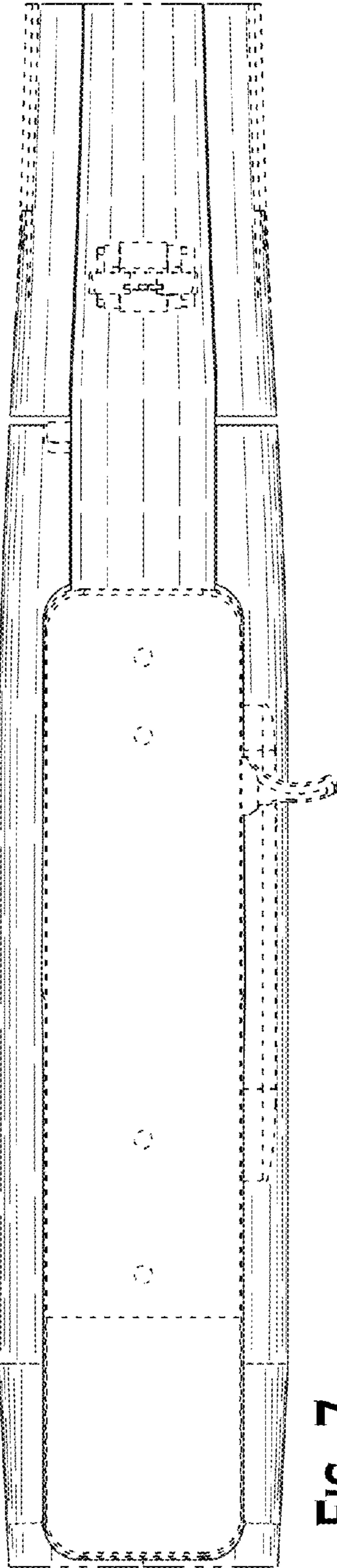


FIG. 7

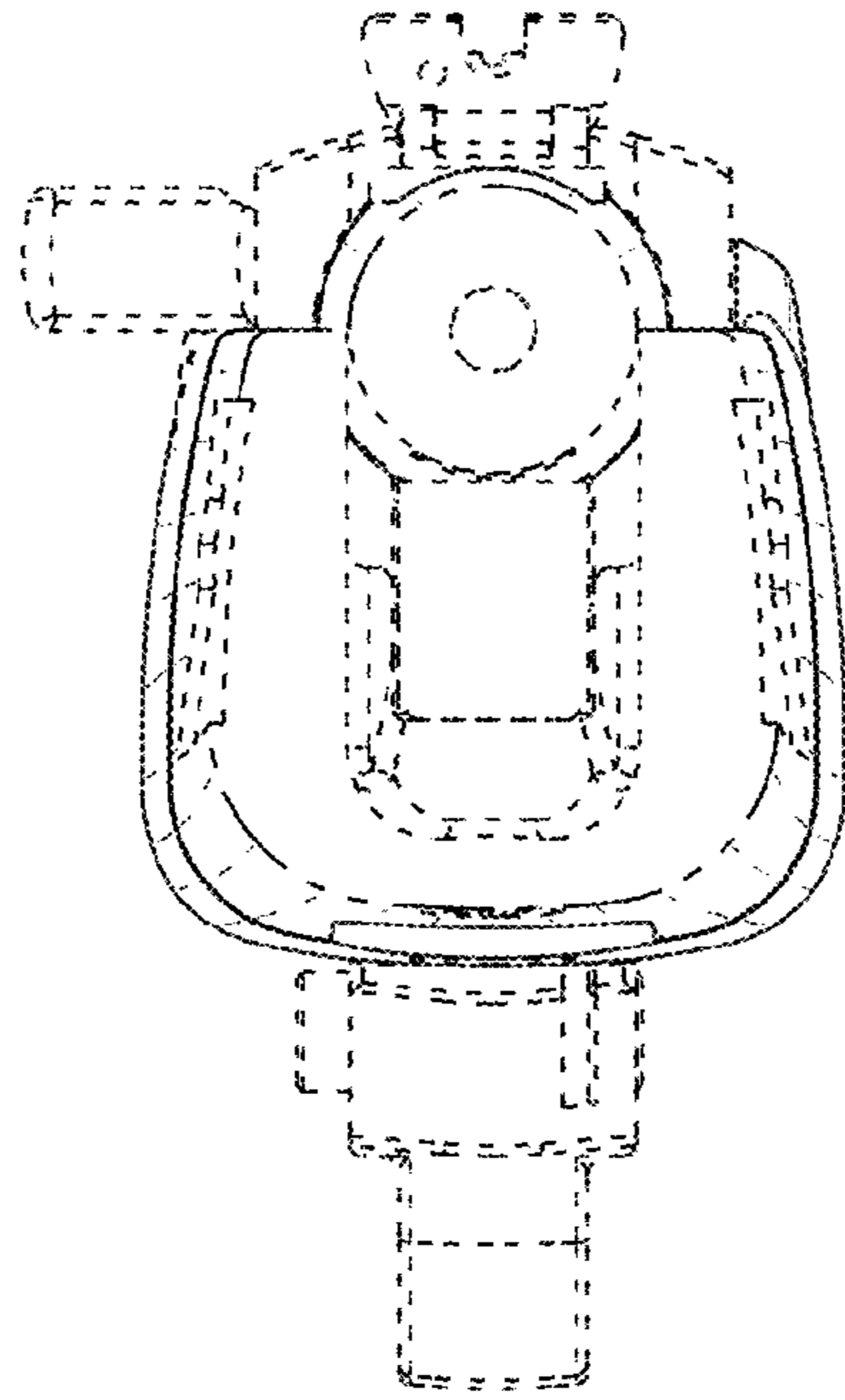


FIG. 8

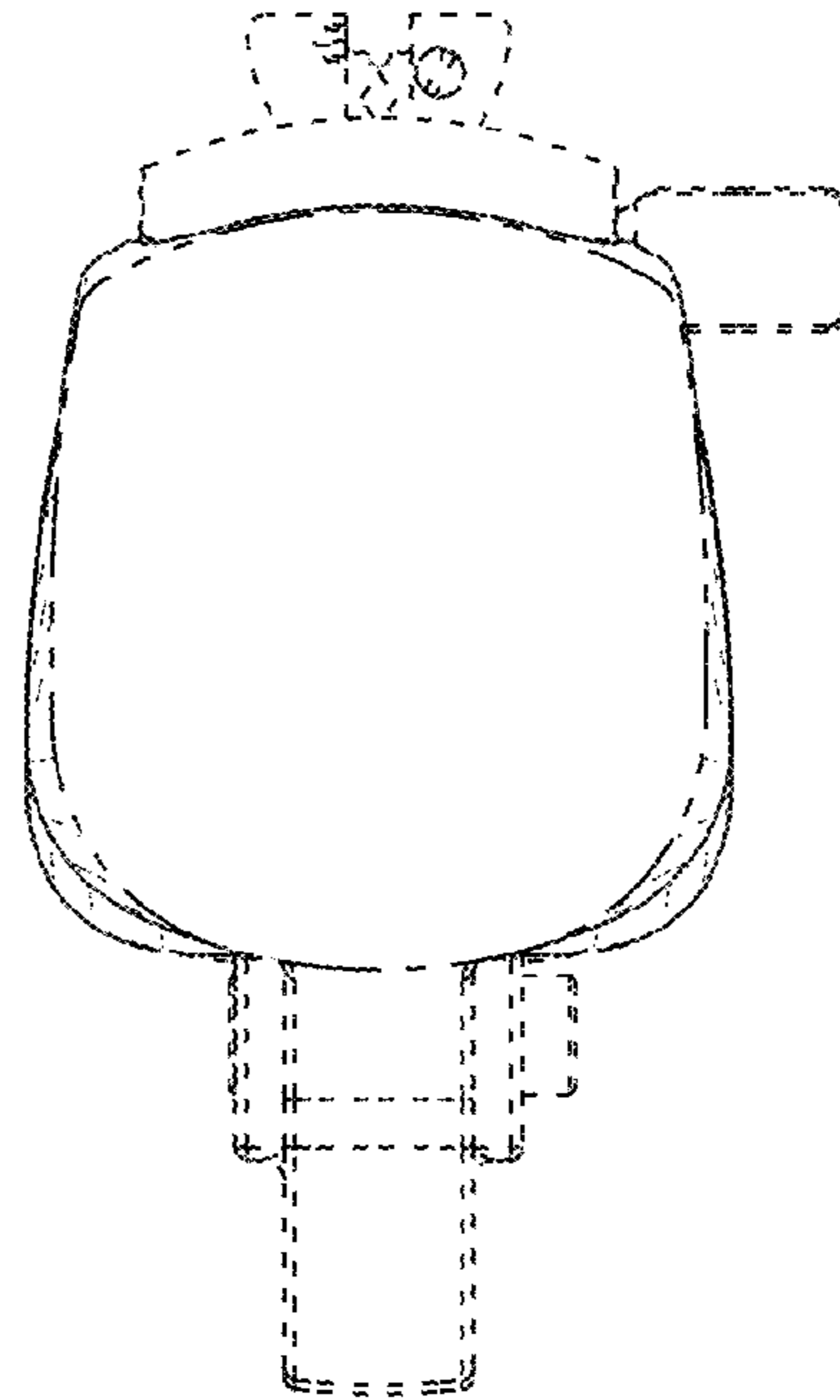


FIG. 9