



US00D681146S

(12) **United States Design Patent**
Sperry et al.

(10) **Patent No.:** **US D681,146 S**
(45) **Date of Patent:** **** Apr. 30, 2013**

(54) **BED TENT FOR PRIVACY**

(76) Inventors: **Kevin Sperry**, Orange, CA (US); **Danny Ninete**, Orange, CA (US); **Eric Mear**, Orange, CA (US)

(**) Term: **14 Years**

(21) Appl. No.: **29/420,258**

(22) Filed: **May 7, 2012**

(51) **LOC (9) Cl.** **21-04**

(52) **U.S. Cl.**
USPC **D21/838**

(58) **Field of Classification Search** D21/834,
D21/838, 839; D6/389, 382, 602, 606, 610,
D6/616; 135/90, 96, 124-126, 137; 5/414,
5/424

See application file for complete search history.

(56) **References Cited**

U.S. PATENT DOCUMENTS

2,931,373 A * 4/1960 Larson 135/90
3,848,279 A * 11/1974 Ipsen, Jr. 5/113
D235,585 S * 6/1975 Stevens D21/838

(Continued)

OTHER PUBLICATIONS

Disney, Toys & Games, "Princess Bed Tent With Pushlight." Amazon.com. (undated) <http://www.amazon.com/Disney-Princess-Bed-Tent-Pushlight/dp/B004GR9VSK/ref=pd_sim_sbs>.

(Continued)

Primary Examiner — Cynthia M Chin

(74) *Attorney, Agent, or Firm* — Robert J. Lauson; Lauson & Tarver LLP

(57) **CLAIM**

We claim the ornamental design for a bed tent for privacy, as shown and described.

DESCRIPTION

FIG. 1 is a perspective view of the preferred embodiment for a twin bunk bed showing the zipper door closed.

FIG. 2 is a front view of the preferred embodiment, the rear view is a mirror image thereof.

FIG. 3 is a side view of the preferred embodiment, the opposing side is a mirror image thereof.

FIG. 4 is a top view of the preferred embodiment.

FIG. 5 is a bottom view of the preferred embodiment.

FIG. 6 is a perspective side view of the preferred embodiment with the zipper door opened.

FIG. 7 is a perspective side view of a first alternate embodiment for a queen size bed with the zipper door closed.

FIG. 8 is a front view of the first alternate embodiment.

FIG. 9 is a side view of the first alternate embodiment.

FIG. 10 is a bottom view of the first alternate embodiment.

FIG. 11 is a top view of the first alternate embodiment.

FIG. 12 is a perspective view of the first alternate embodiment with the zipper door opened.

FIG. 13 is a perspective view of a second alternate embodiment for a twin bed with the zipper door closed.

FIG. 14 is a front view of the second alternate embodiment.

FIG. 15 is a side view of the second alternate embodiment.

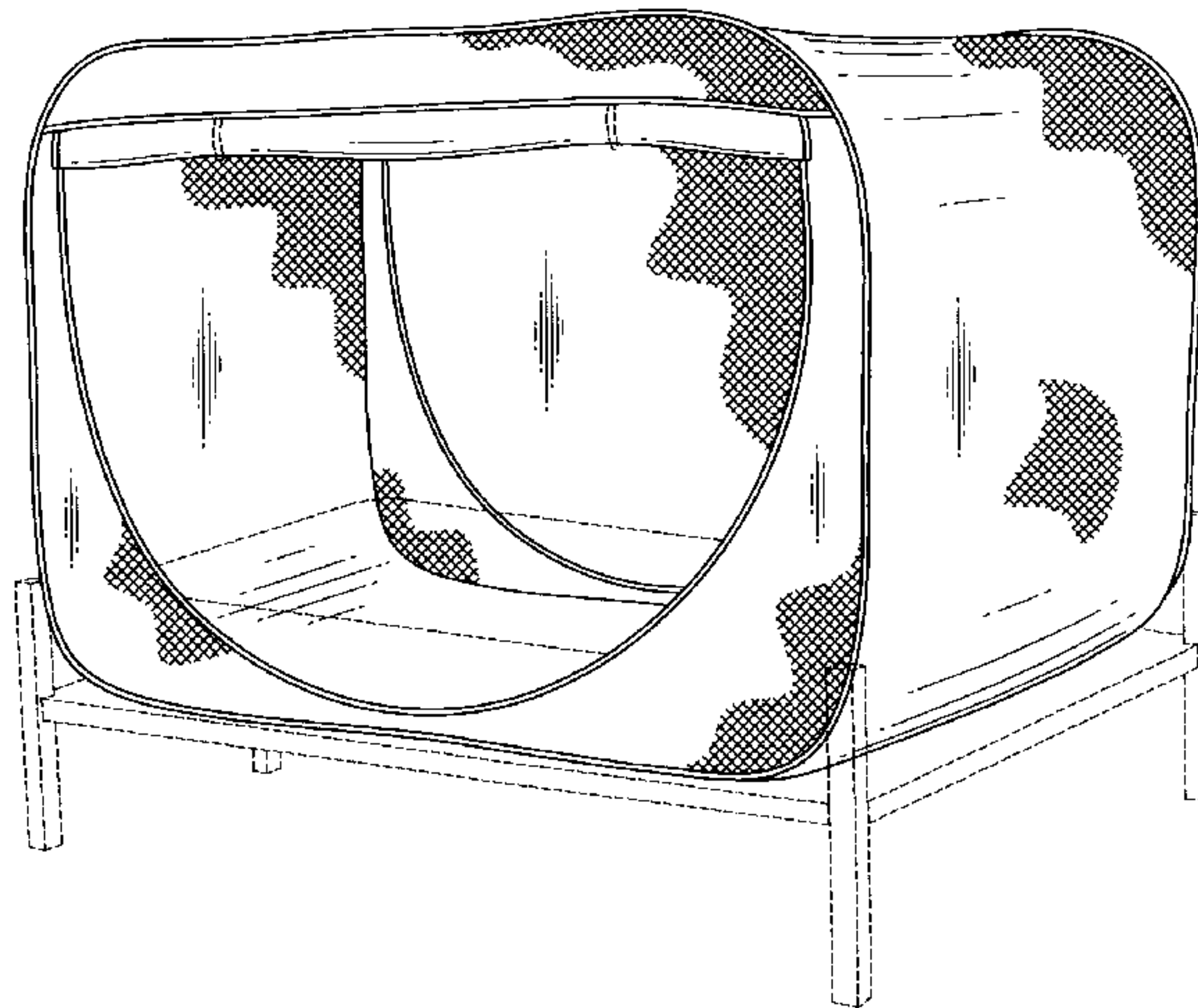
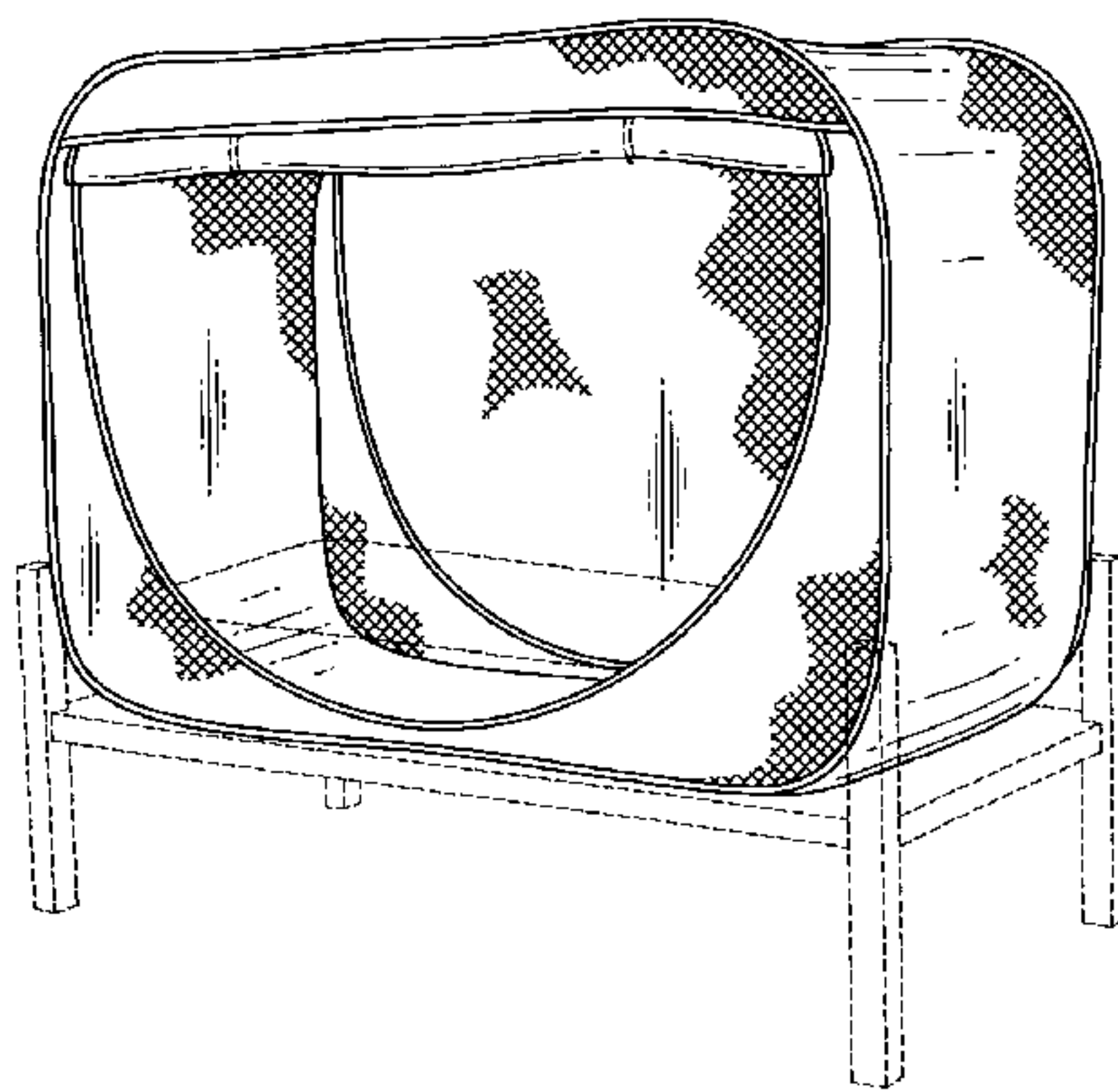
FIG. 16 is a bottom view of the second alternate embodiment.

FIG. 17 is a top view of the second alternate embodiment; and,

FIG. 18 is a perspective view of the second alternate embodiment with the zipper door opened.

Portions of the drawings shown in dashed line are for illustrative purposes only as a portion of the environment of the invention and form no part of the claimed design.

1 Claim, 7 Drawing Sheets



US D681,146 S

Page 2

U.S. PATENT DOCUMENTS

D285,880 S * 9/1986 Griesenbeck D21/838
4,641,387 A * 2/1987 Bondy et al. 5/658
D298,768 S * 11/1988 Dwosh et al. D21/838
D369,492 S * 5/1996 Panno et al. D6/331
D372,953 S * 8/1996 Florez D21/838
D389,677 S * 1/1998 Hebner et al. D6/491
6,687,930 B1 * 2/2004 Eads et al. 5/414
6,772,458 B2 * 8/2004 Ellen et al. 5/424
7,380,296 B2 * 6/2008 Ellen et al. 5/424

7,430,770 B2 * 10/2008 Ramirez 5/424
7,735,167 B2 * 6/2010 Kline et al. 5/414
7,921,863 B2 * 4/2011 Ways 135/125
8,087,110 B1 * 1/2012 Park et al. 5/414

OTHER PUBLICATIONS

IKEA, Canopies & Bed Tents, "Bent Tent", IKEA.com (undated)
<<http://www.ikea.com/us/en/catalog/products/20116207>>.

* cited by examiner

FIG. 1

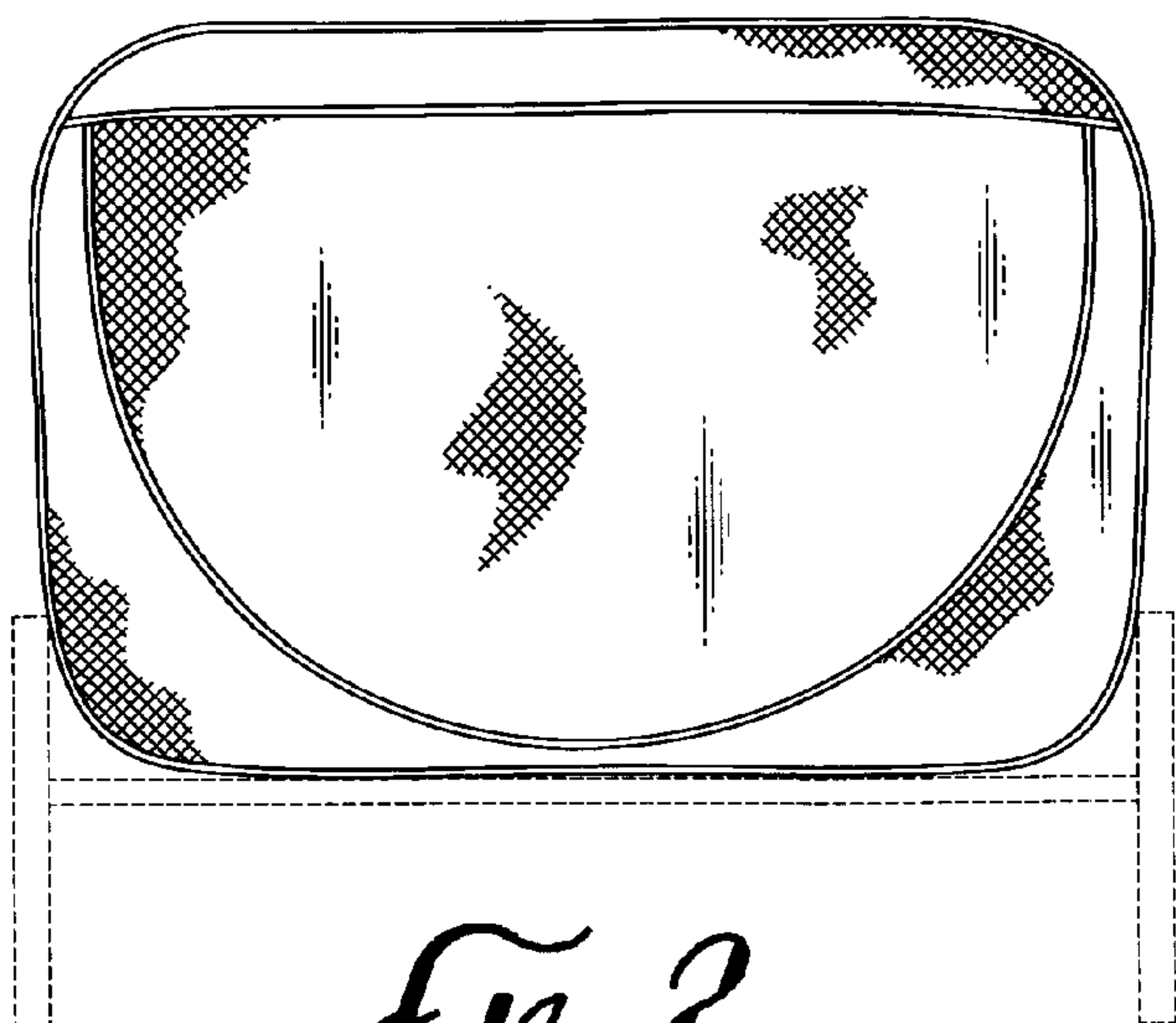
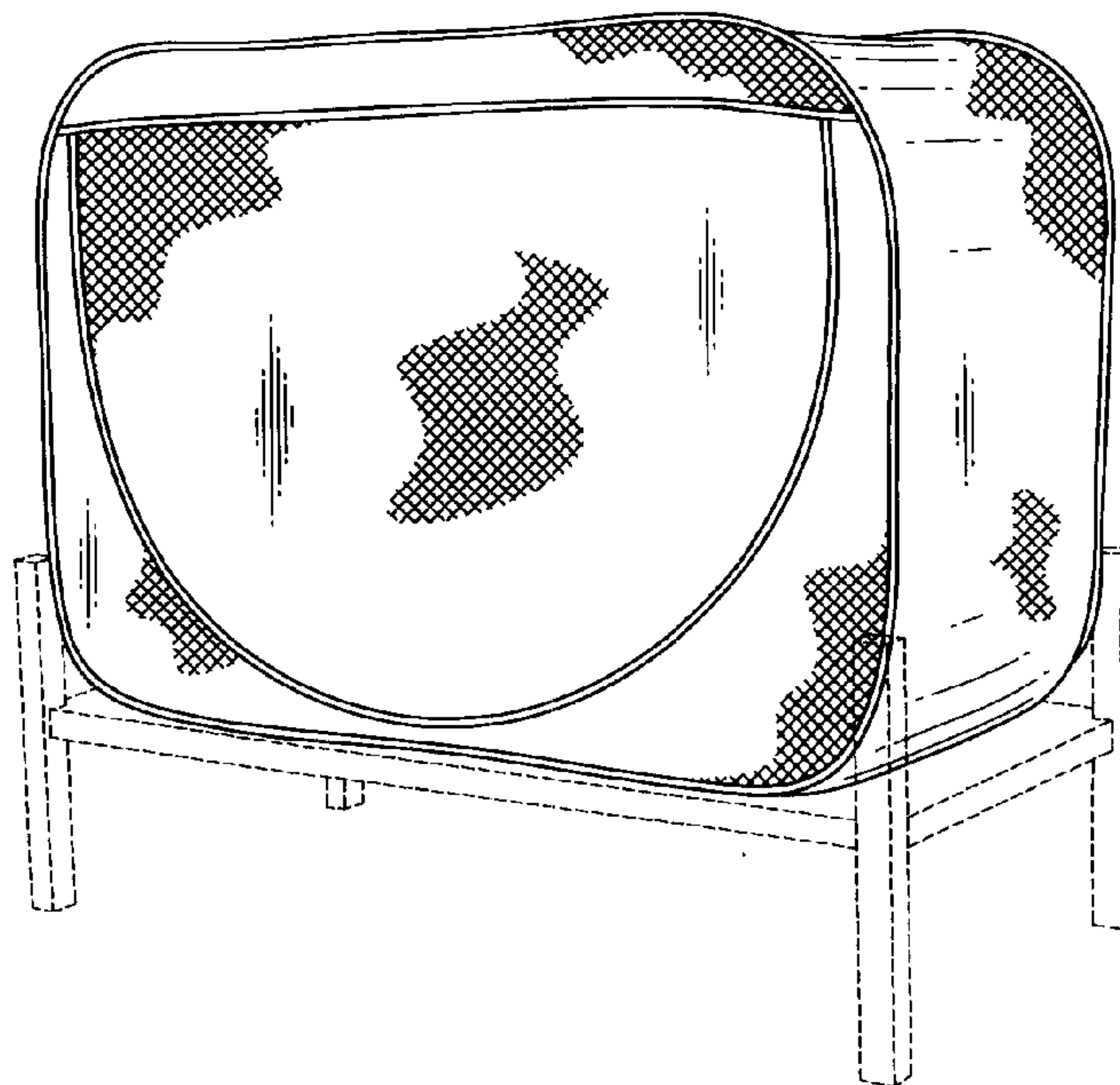


FIG. 2

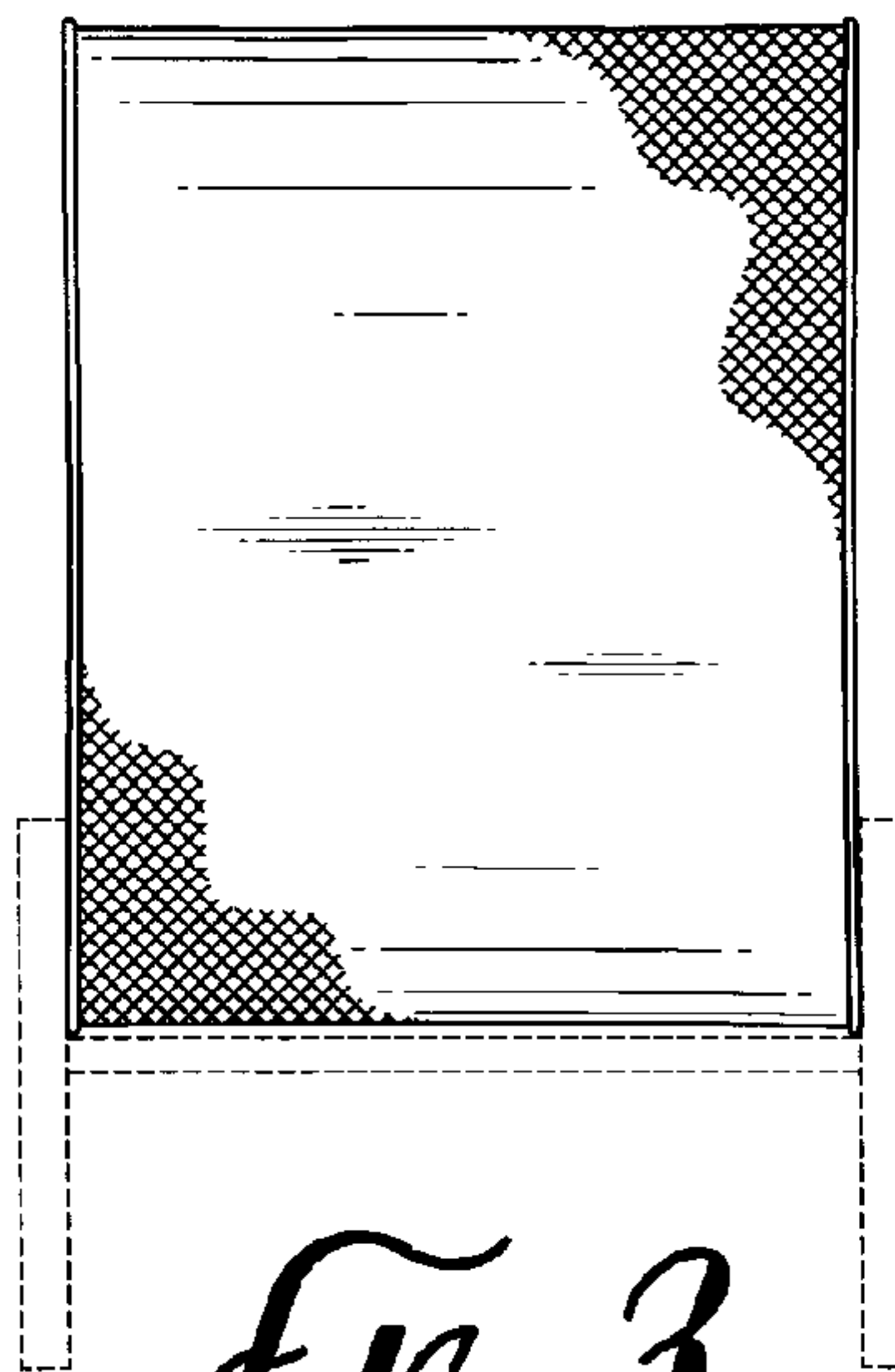


FIG. 3

FIG. 4

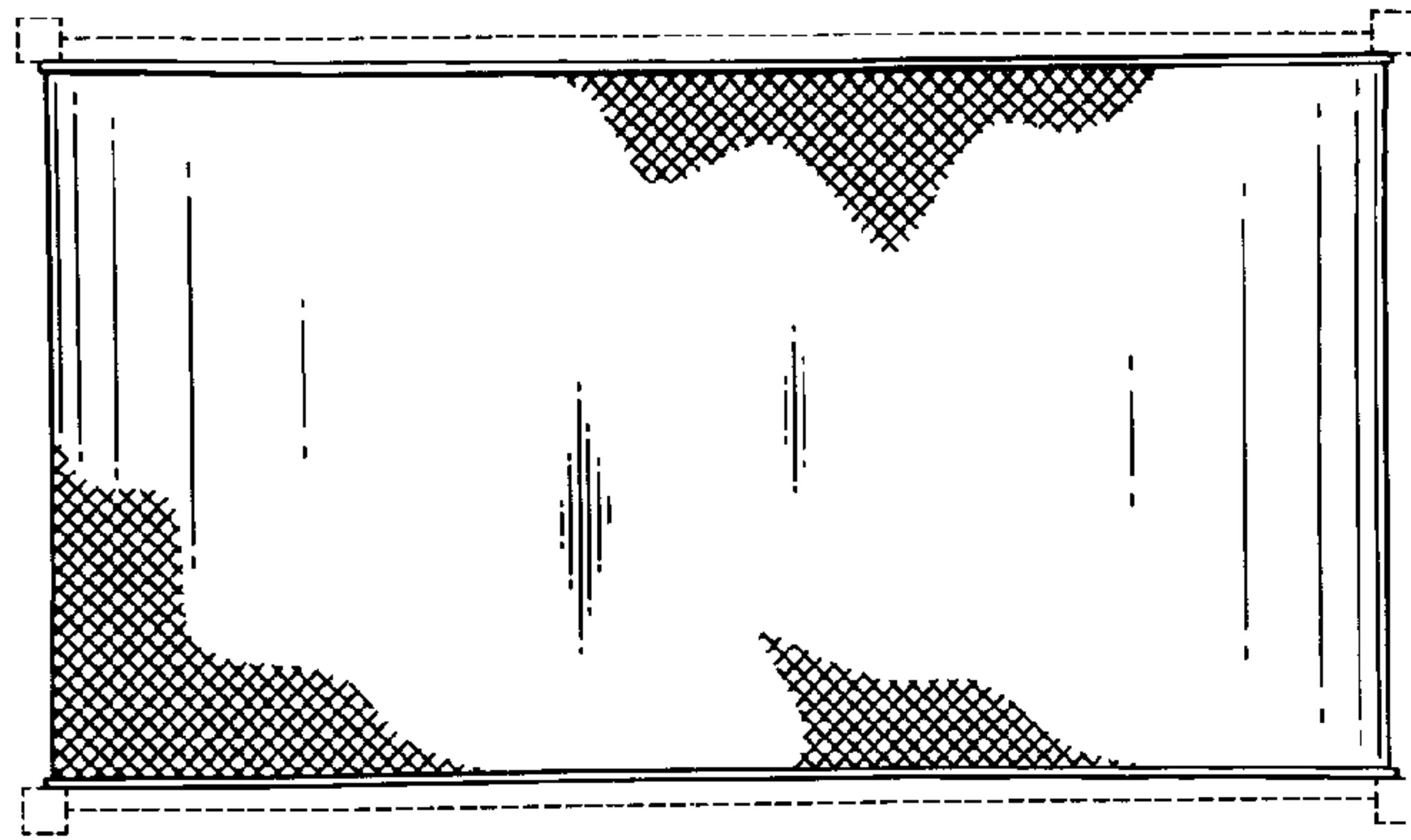


FIG. 5

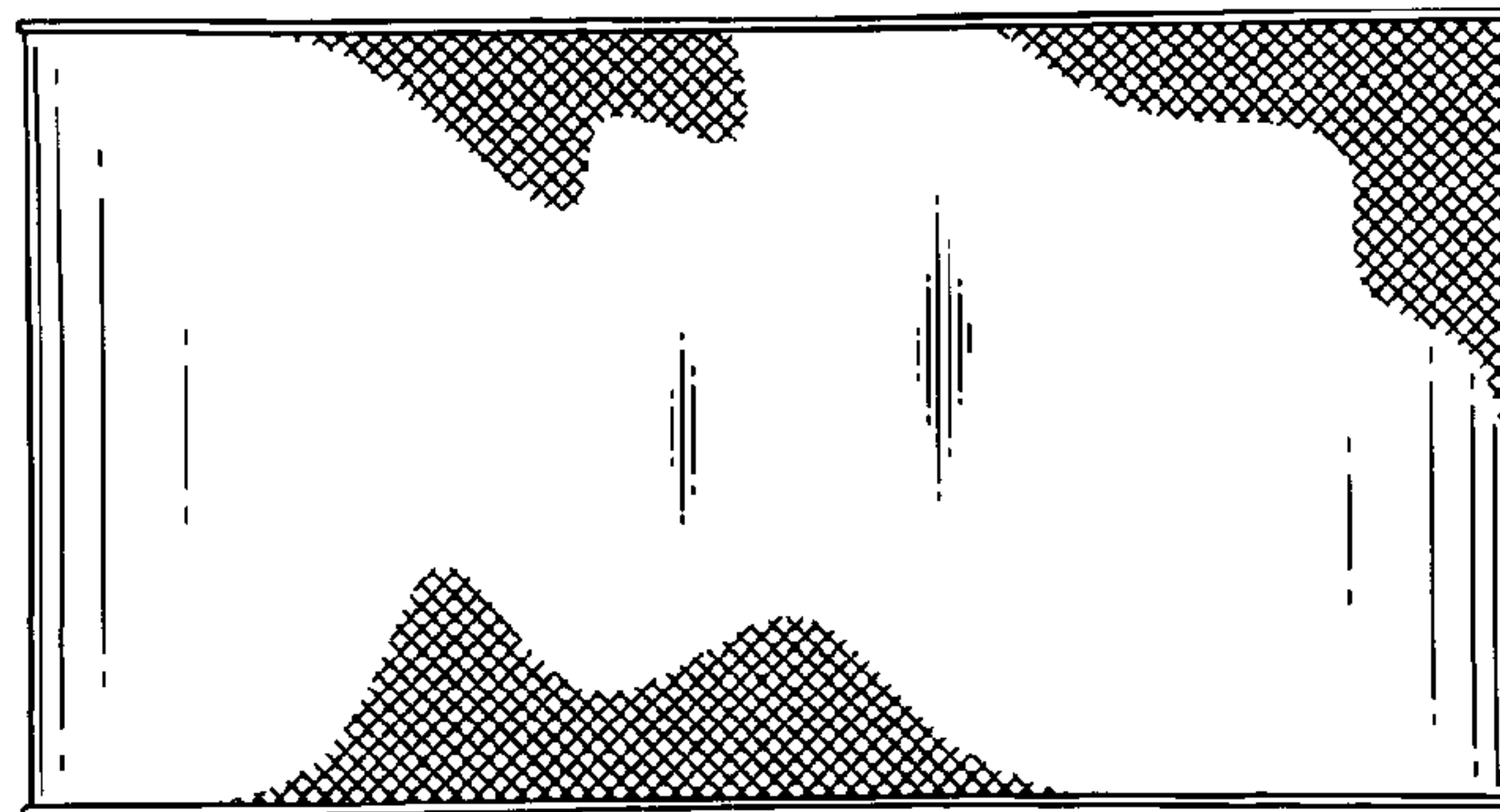
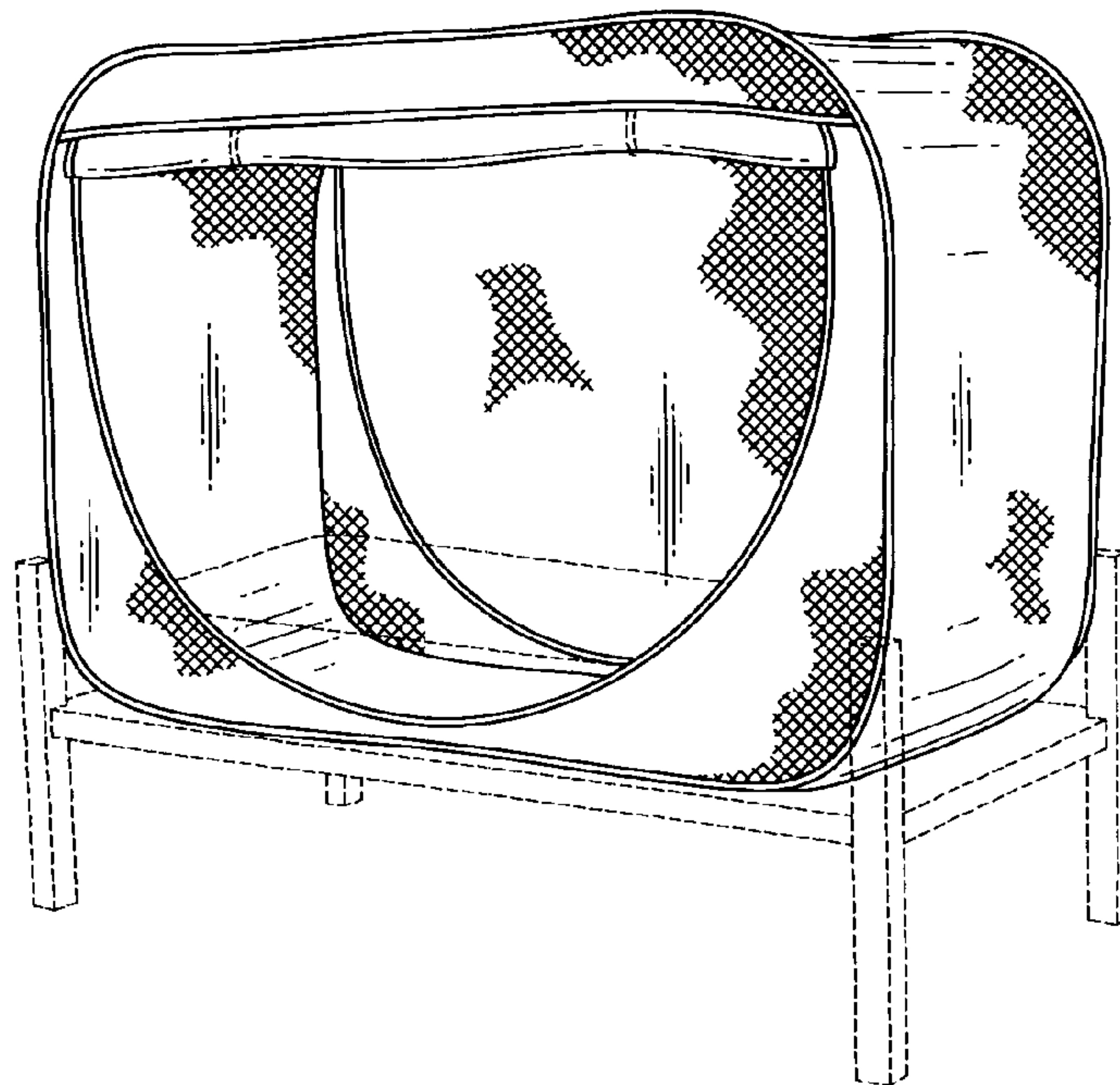


FIG. 6



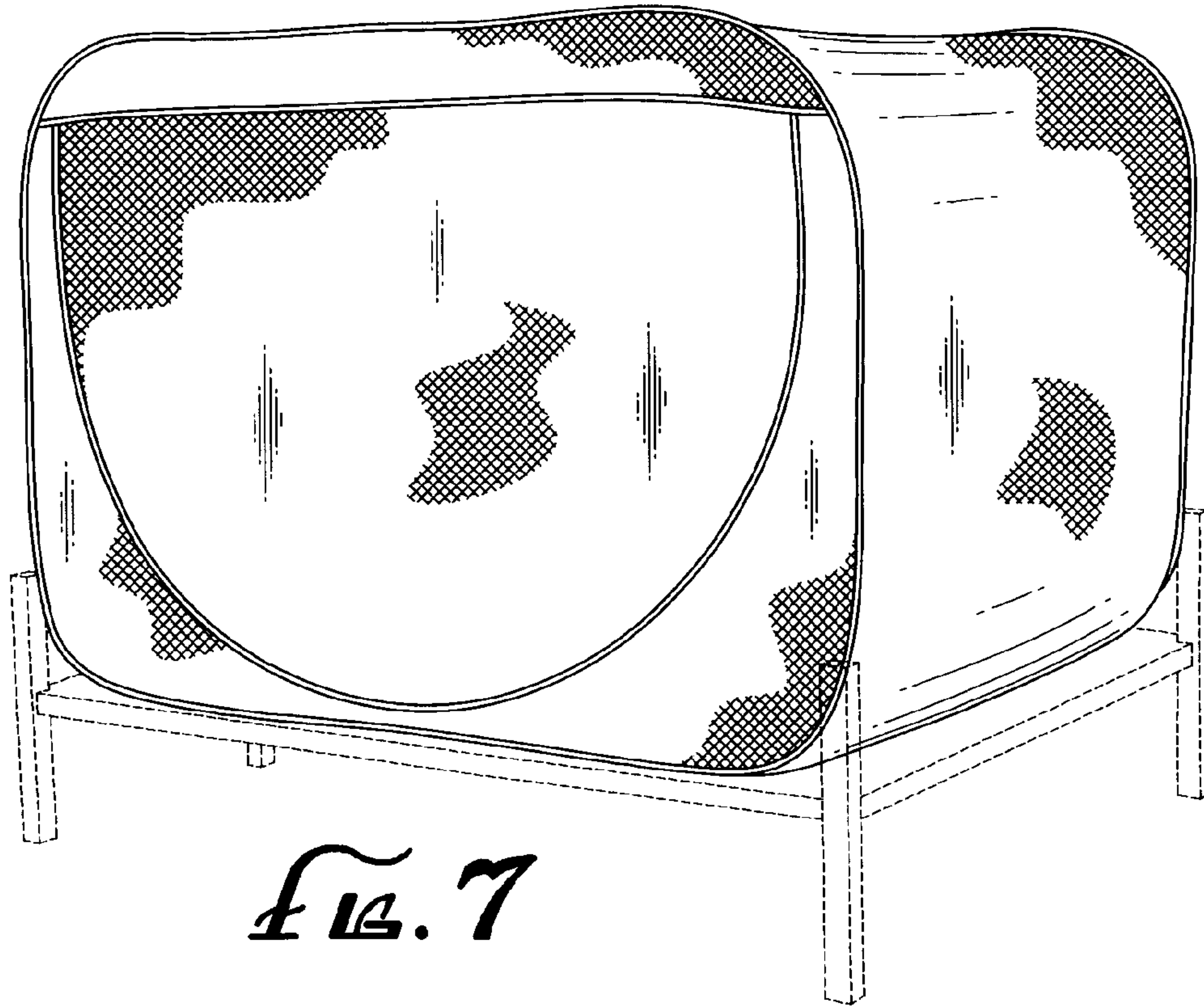


FIG. 7

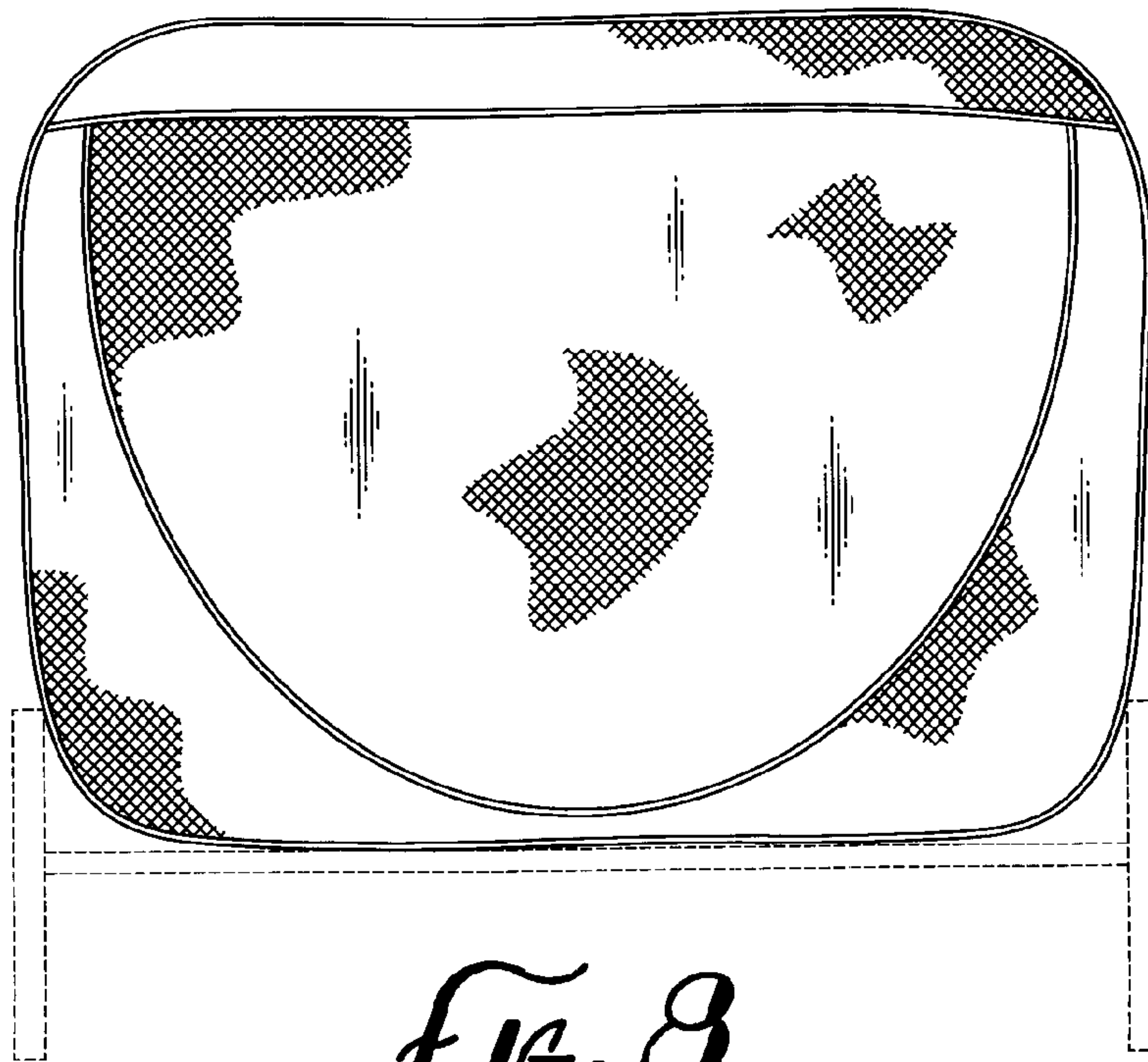


FIG. 8

FIG. 9

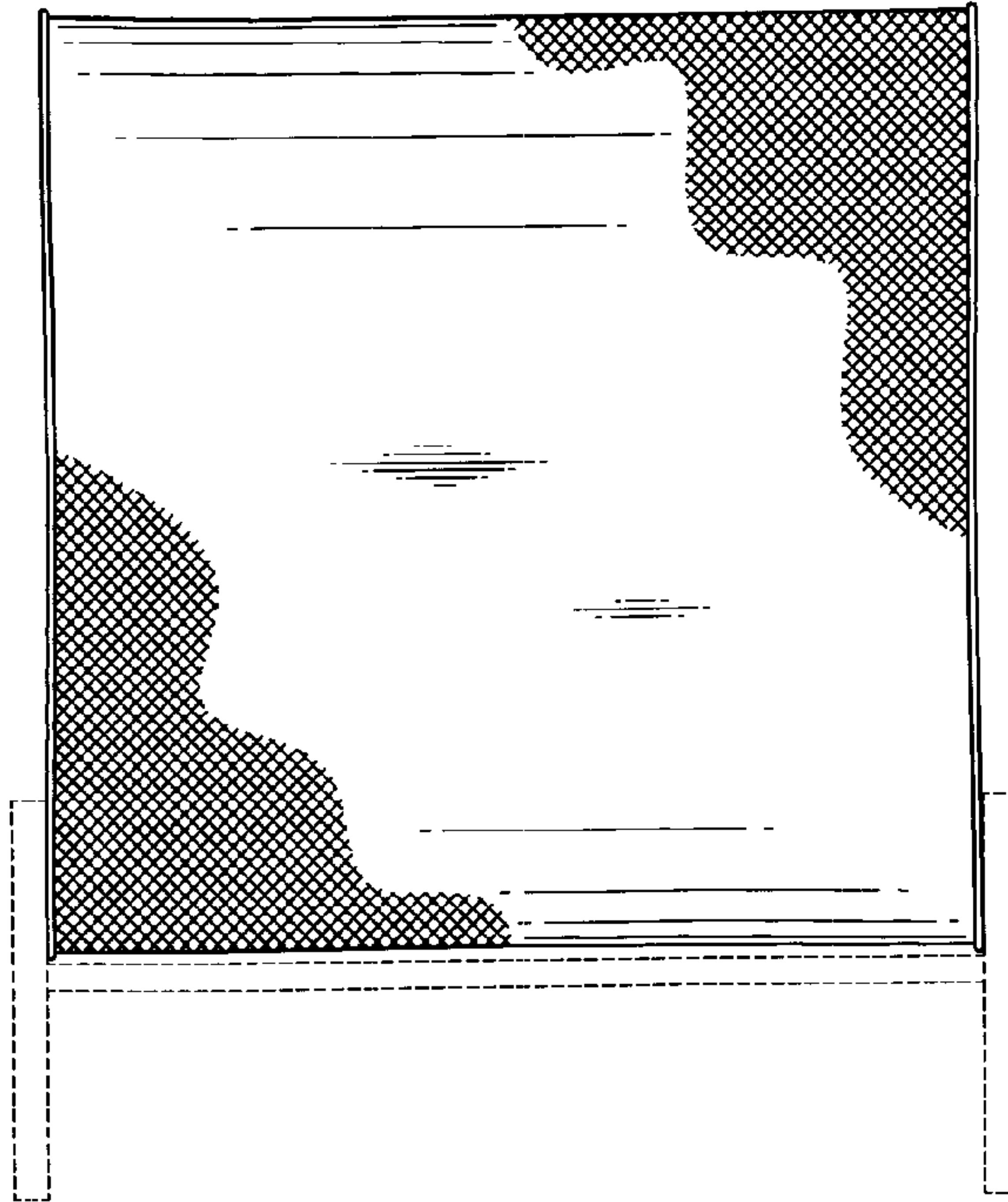


FIG. 10

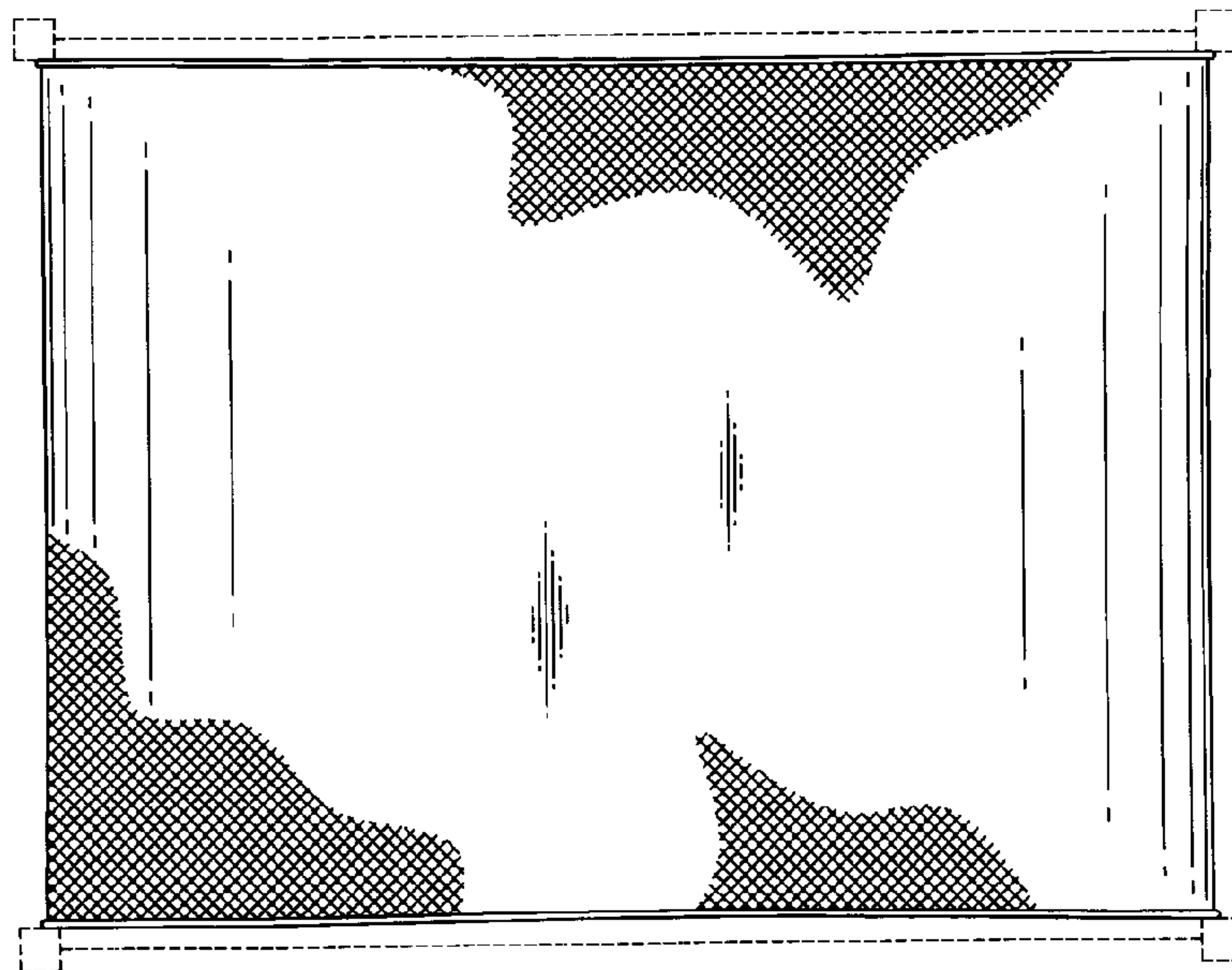


FIG. 11

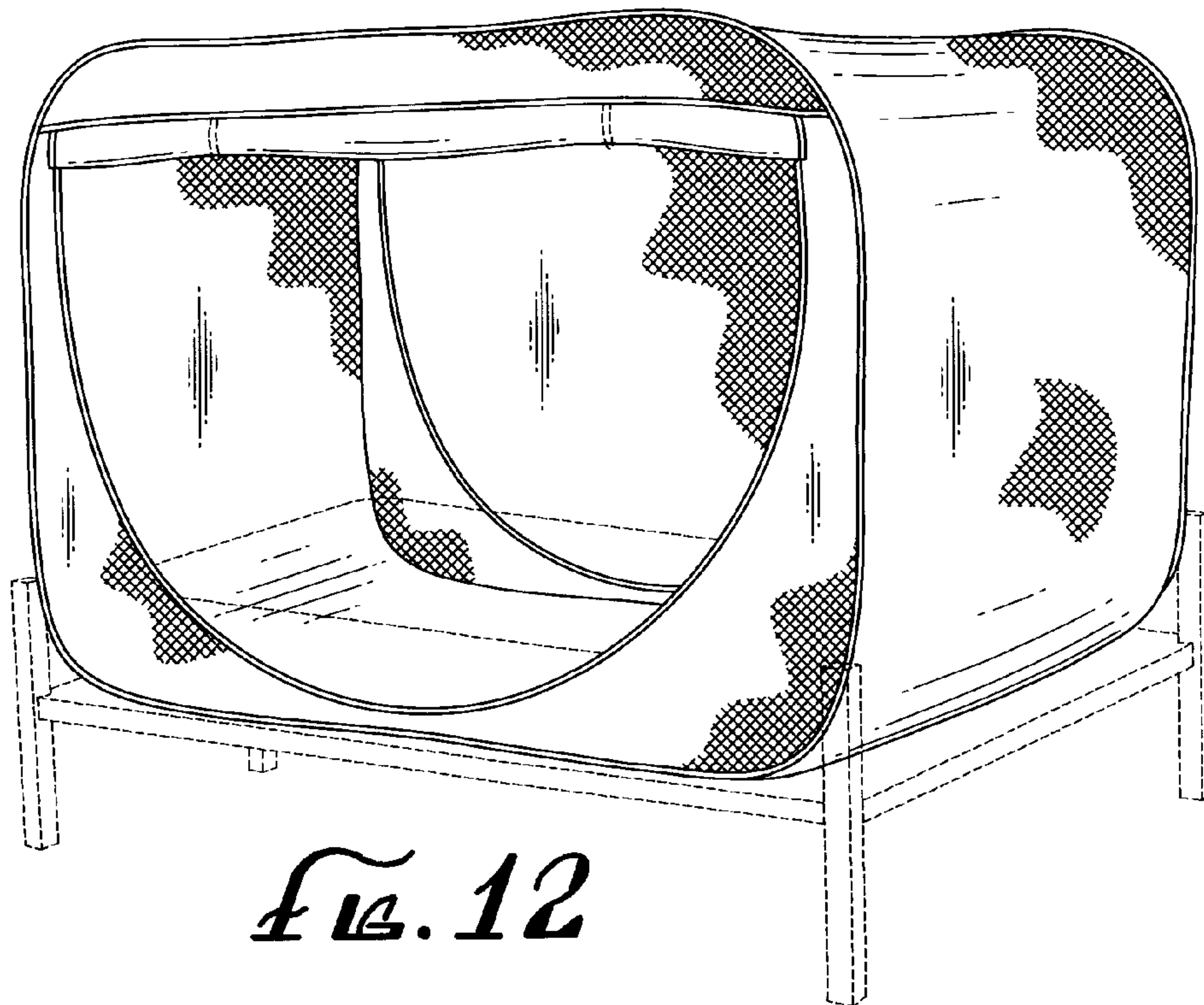
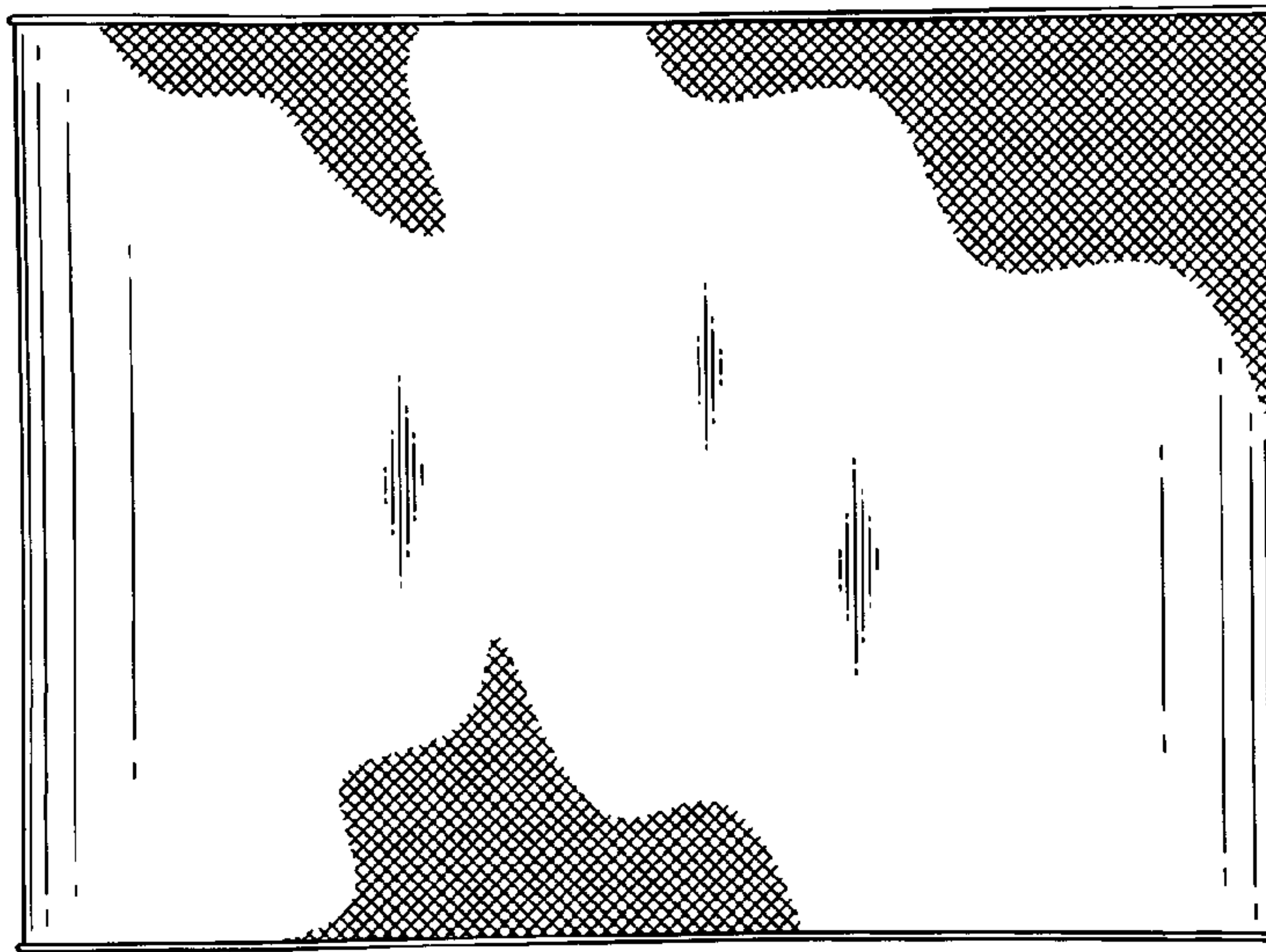


FIG. 12

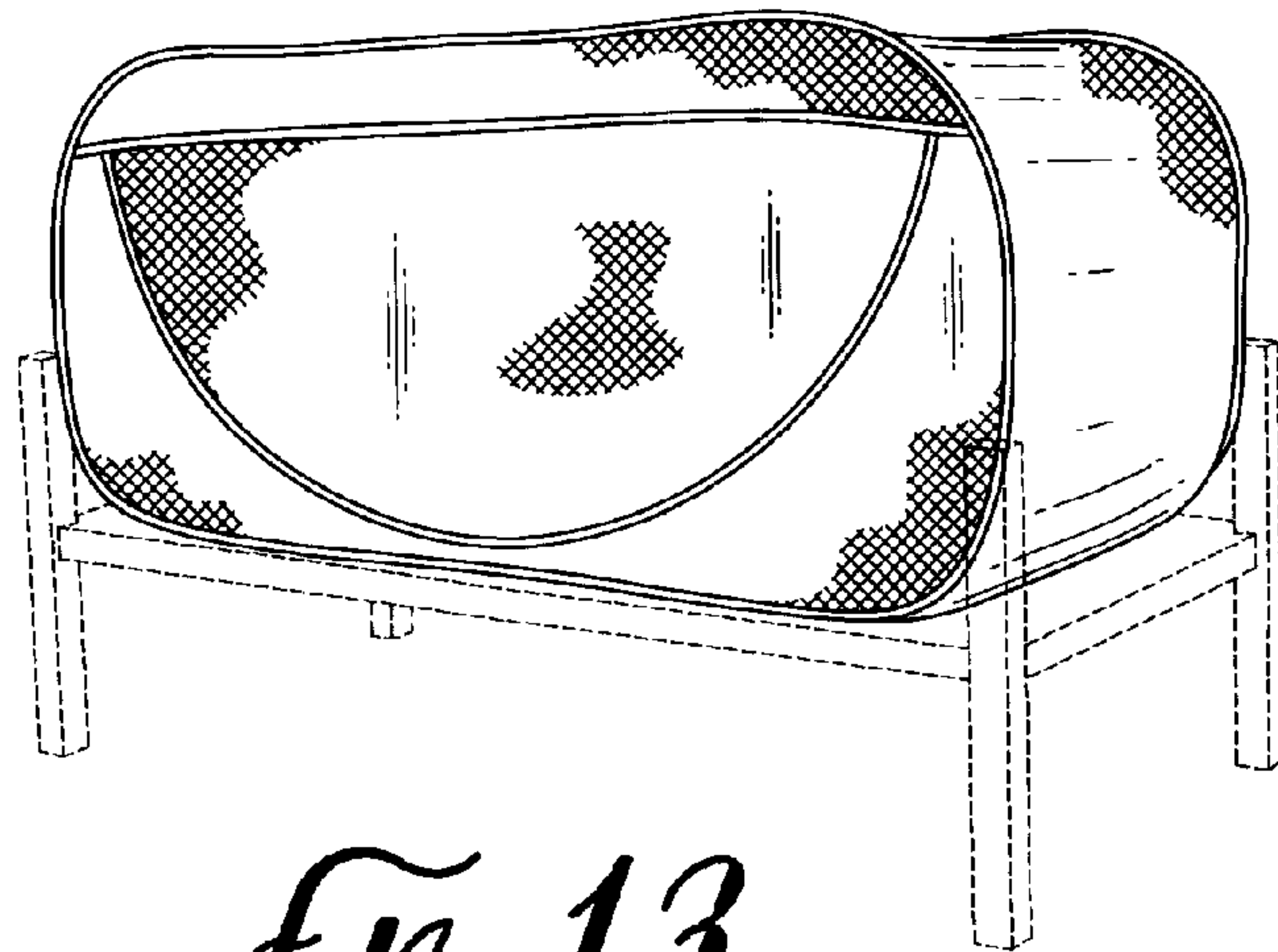


FIG. 13

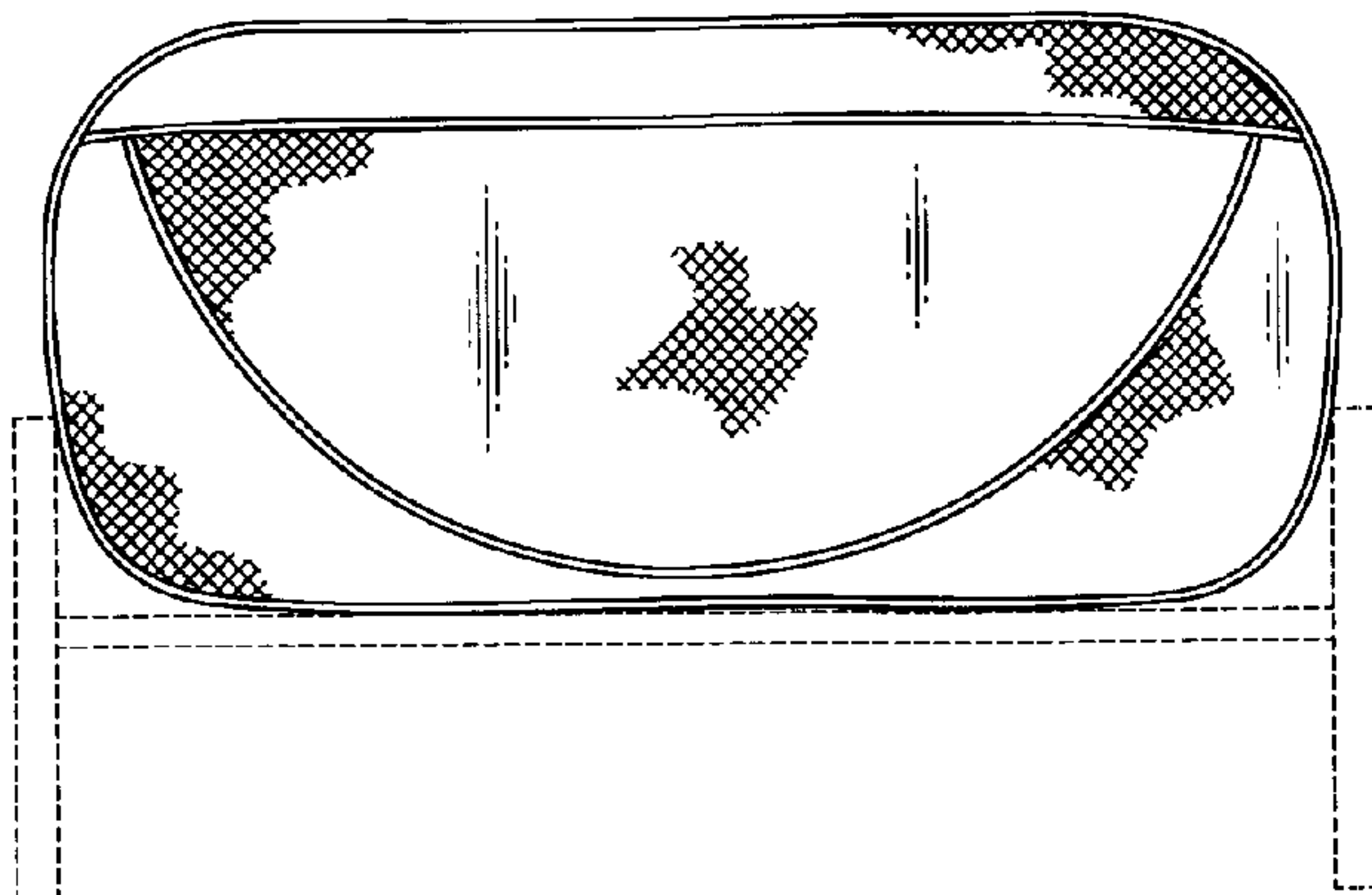


FIG. 14

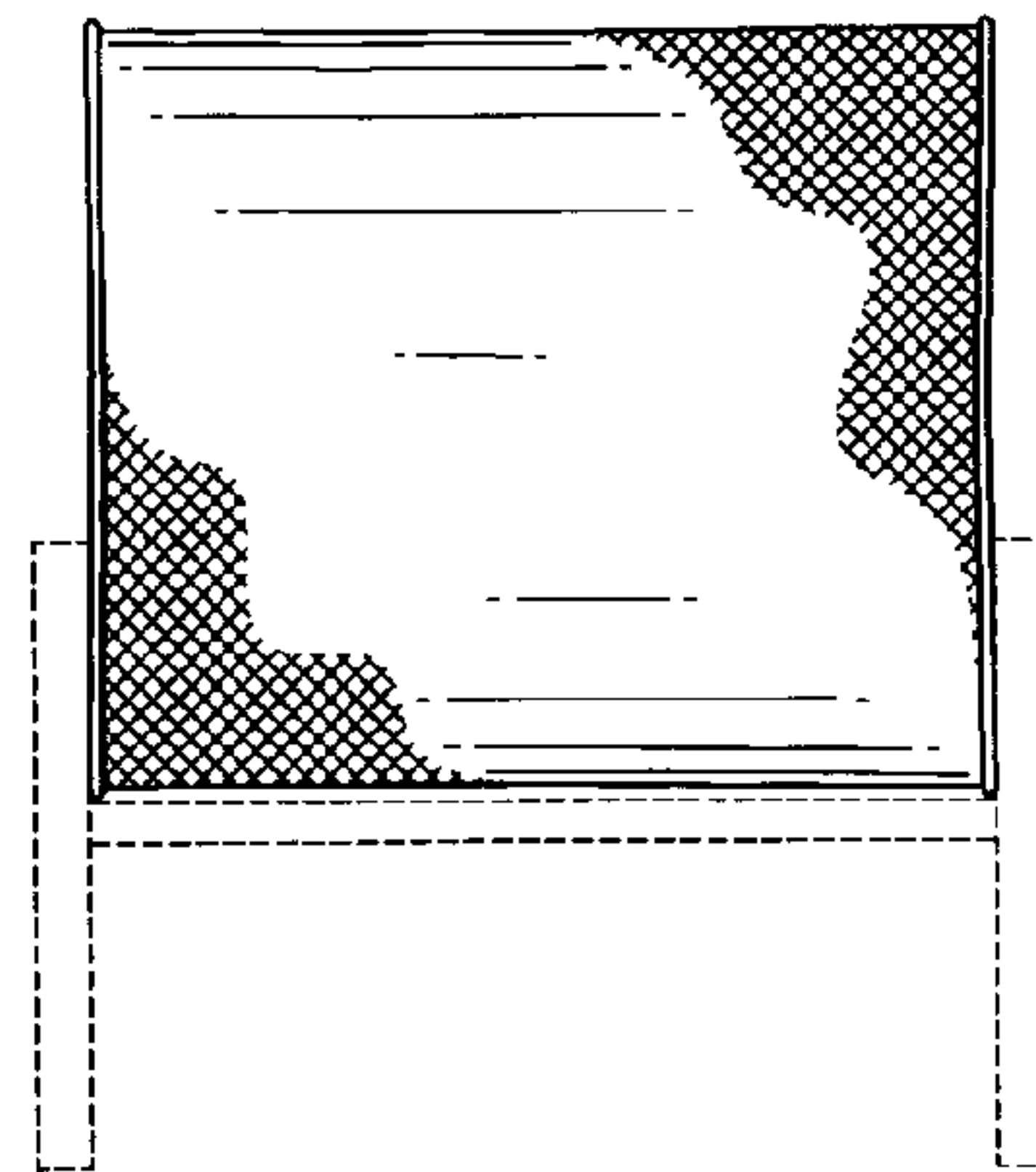


FIG. 15

FIG. 16

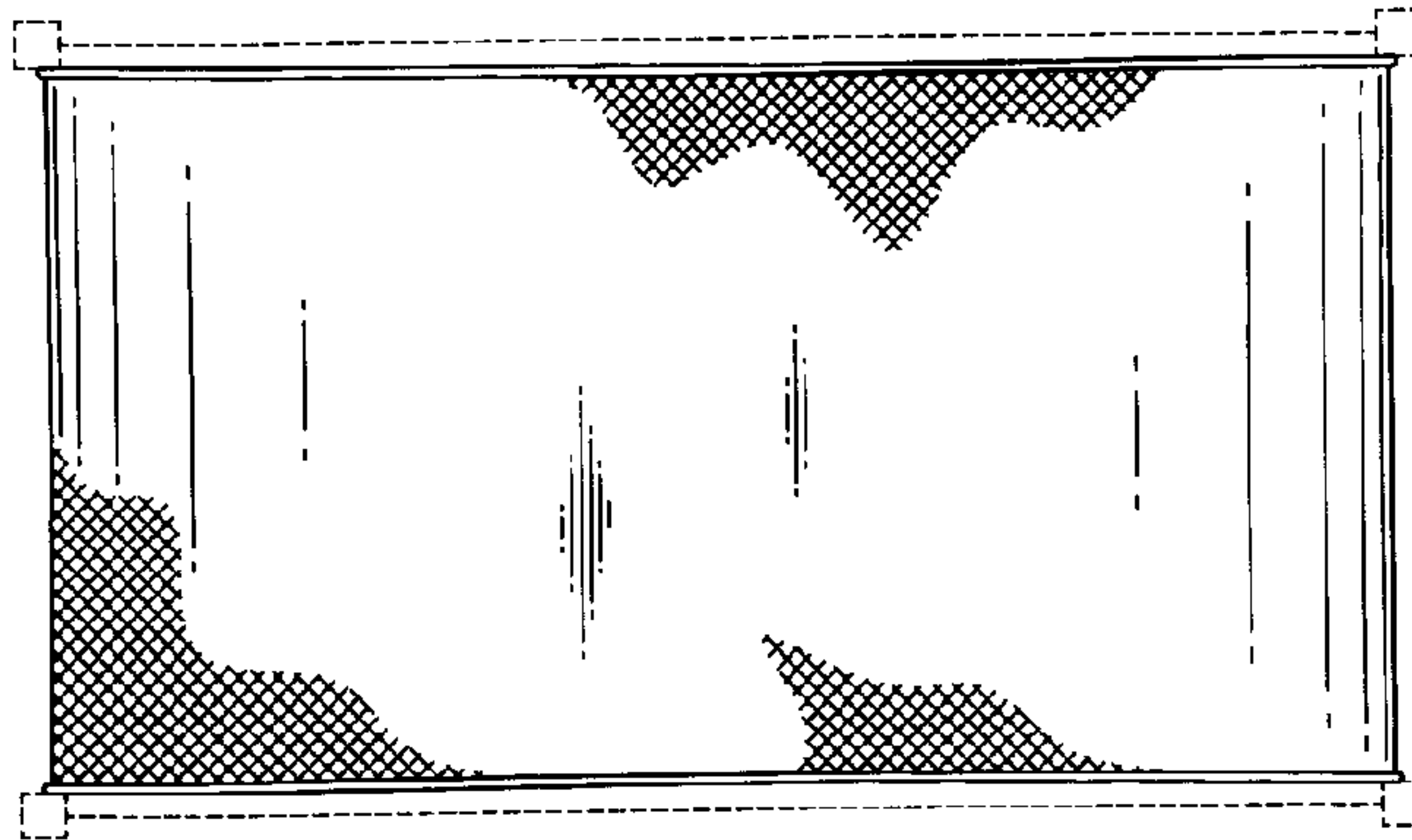


FIG. 17

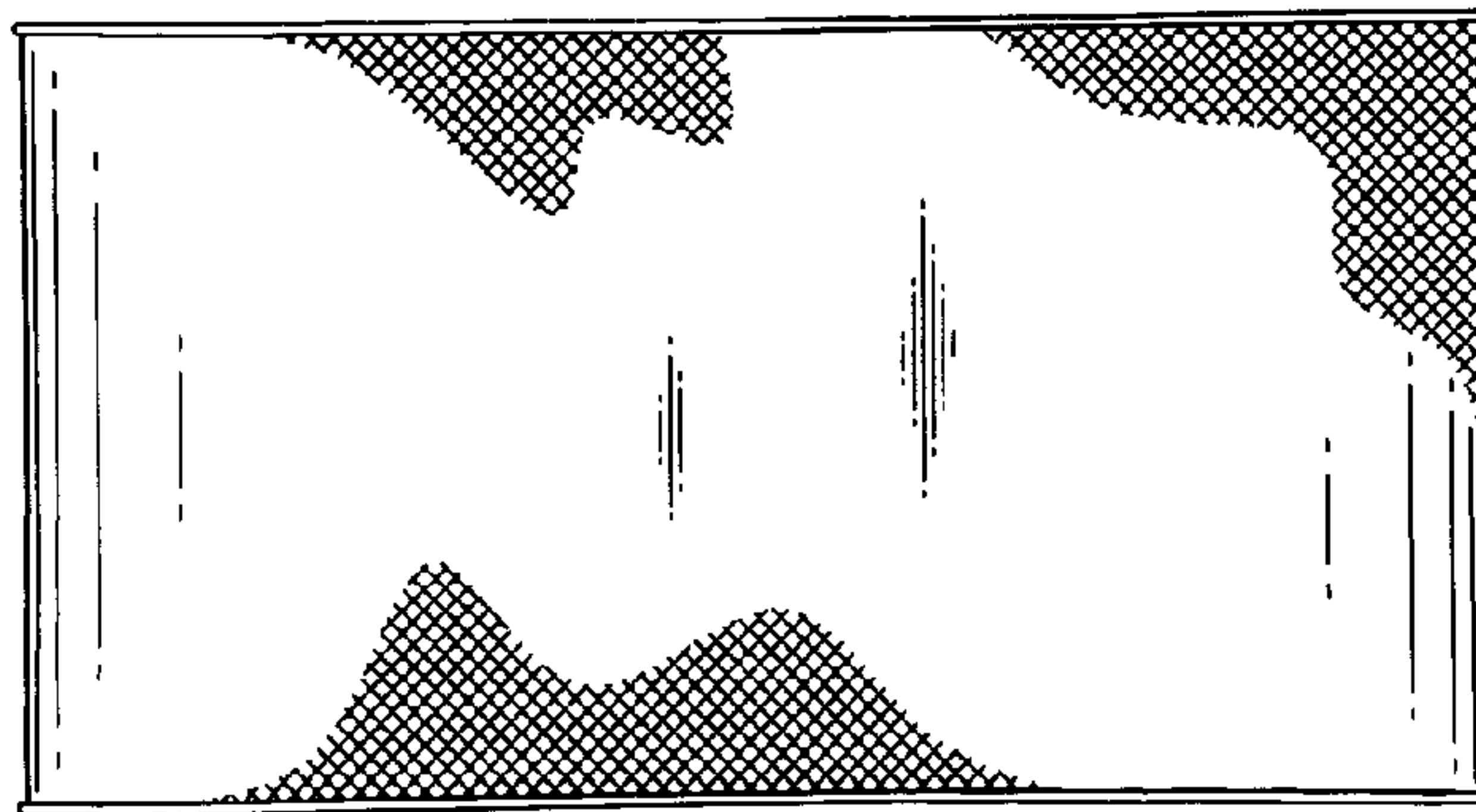


FIG. 18

