



US00D681145S

(12) **United States Design Patent**
Pfaff et al.

(10) **Patent No.:** **US D681,145 S**
(45) **Date of Patent:** **** Apr. 30, 2013**

(54) **GOLF PUTTER ATTACHMENT TO GIVE
FEEDBACK OF MISS-HIT PUTT**

D583,888 S * 12/2008 Nehrbas D21/759
D602,547 S * 10/2009 Fellows et al. D21/759
D604,787 S * 11/2009 Hopkins D21/791
D631,523 S * 1/2011 Pingalore D21/789

(75) Inventors: **Wayne K. Pfaff**, Irving, TX (US); **David
W. Pfaff**, Irving, TX (US)

* cited by examiner

(73) Assignee: **Plastronics Socket Partners, Ltd.**,
Irving, TX (US)

Primary Examiner — Mitchell Siegel

(74) *Attorney, Agent, or Firm* — Mark W Handley

(**) Term: **14 Years**

(57) **CLAIM**

The ornamental design for a golf putter attachment to give
feedback of miss-hit putt, as shown and described.

(21) Appl. No.: **29/408,732**

(22) Filed: **Dec. 15, 2011**

DESCRIPTION

(51) **LOC (9) Cl.** **21-02**

(52) **U.S. Cl.**
USPC **D21/791**

(58) **Field of Classification Search** D21/789,
D21/791, 759; 473/236, 251, 463
See application file for complete search history.

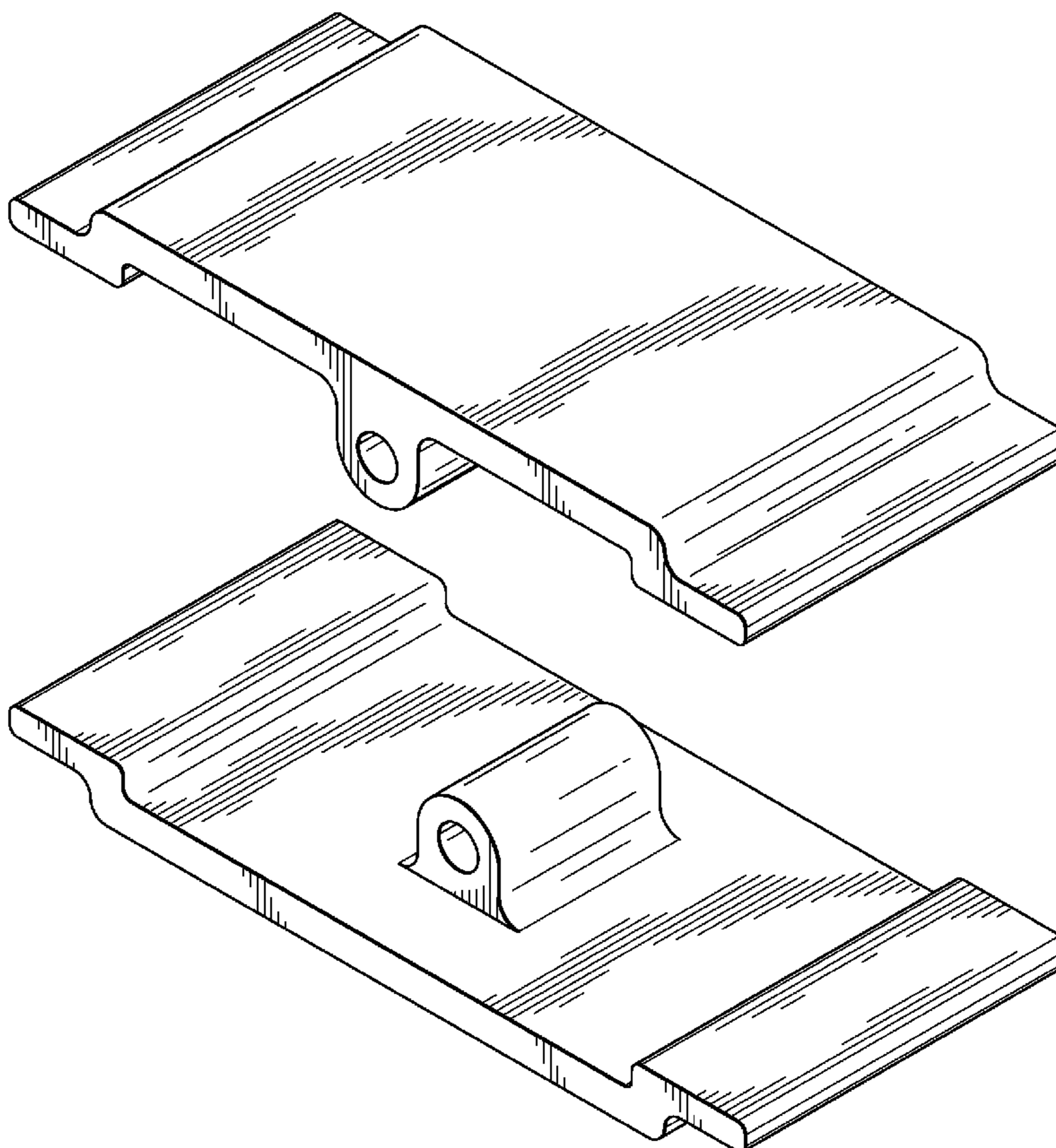
FIG. 1 is a perspective view of a golf putter attachment to give
feedback of miss-hit putt embodying our design;
FIG. 2 is a front view of the golf putter attachment to give
feedback of miss-hit putt;
FIG. 3 is a rear view of the golf putter attachment to give
feedback of miss-hit putt;
FIG. 4 is a right side view of the golf putter attachment to give
feedback of miss-hit putt;
FIG. 5 is a left side view of the golf putter attachment to give
feedback of miss-hit putt;
FIG. 6 is a top view of the golf putter attachment to give
feedback of miss-hit putt; and,
FIG. 7 is a bottom view of the golf putter attachment to give
feedback of miss-hit putt.

(56) **References Cited**

U.S. PATENT DOCUMENTS

3,489,415 A * 1/1970 Smith 473/236
4,139,198 A * 2/1979 Kanavas 473/236
4,323,246 A * 4/1982 Nehrbas, Jr. 473/236
D353,178 S * 12/1994 Koleoglou D21/759
5,478,078 A * 12/1995 Lee 473/236
D385,324 S * 10/1997 Ubaney D21/759
6,780,119 B1 * 8/2004 Gankas 473/236

1 Claim, 4 Drawing Sheets



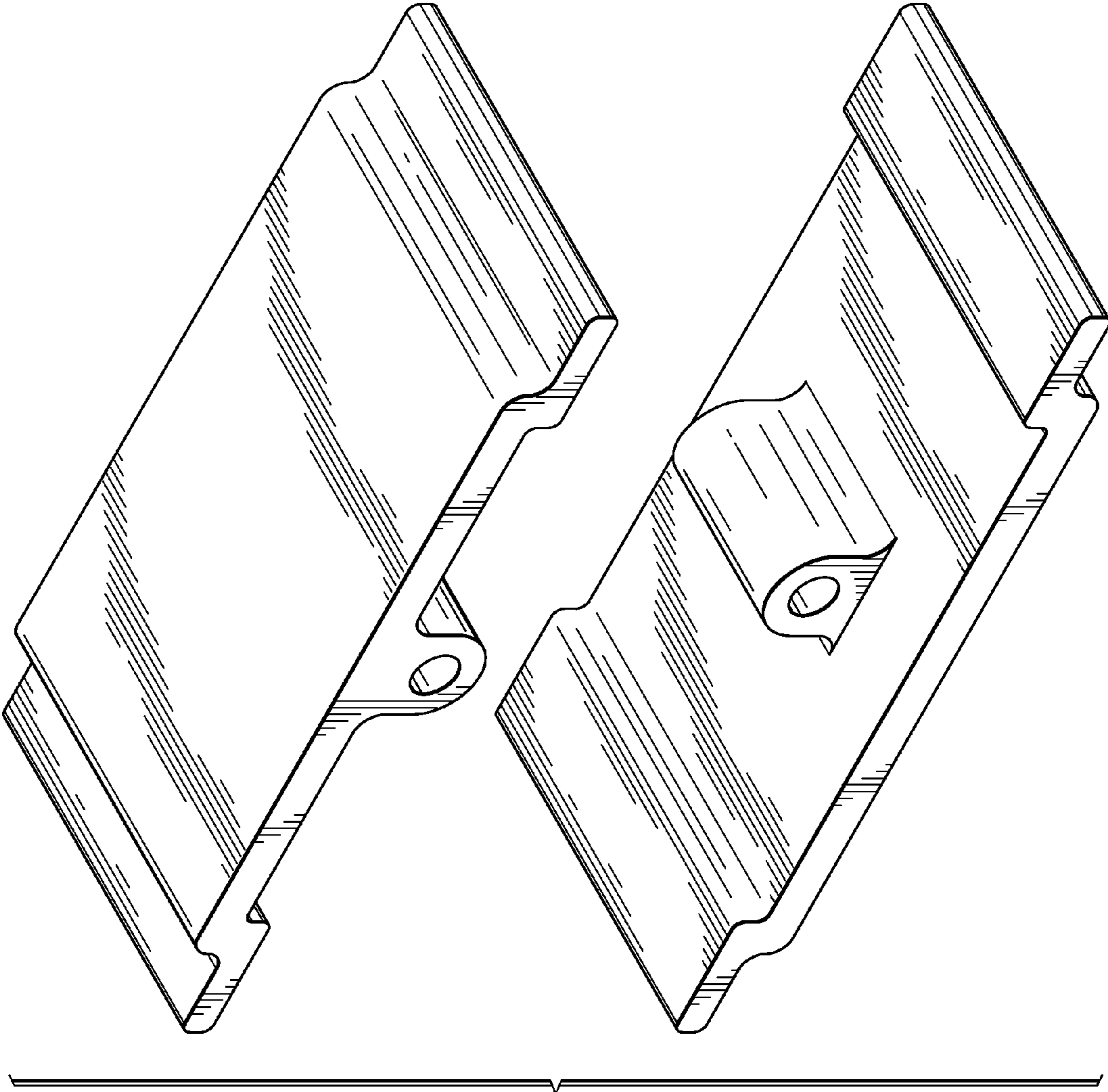


FIG. 1

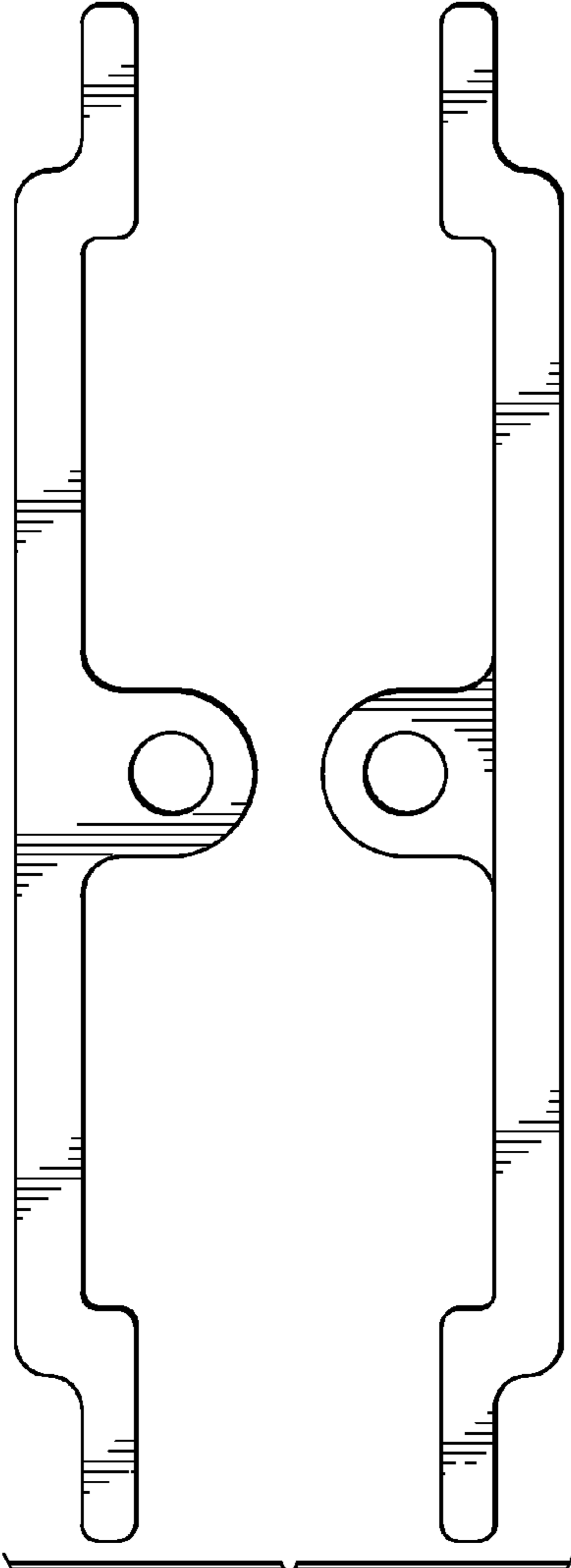


FIG. 2

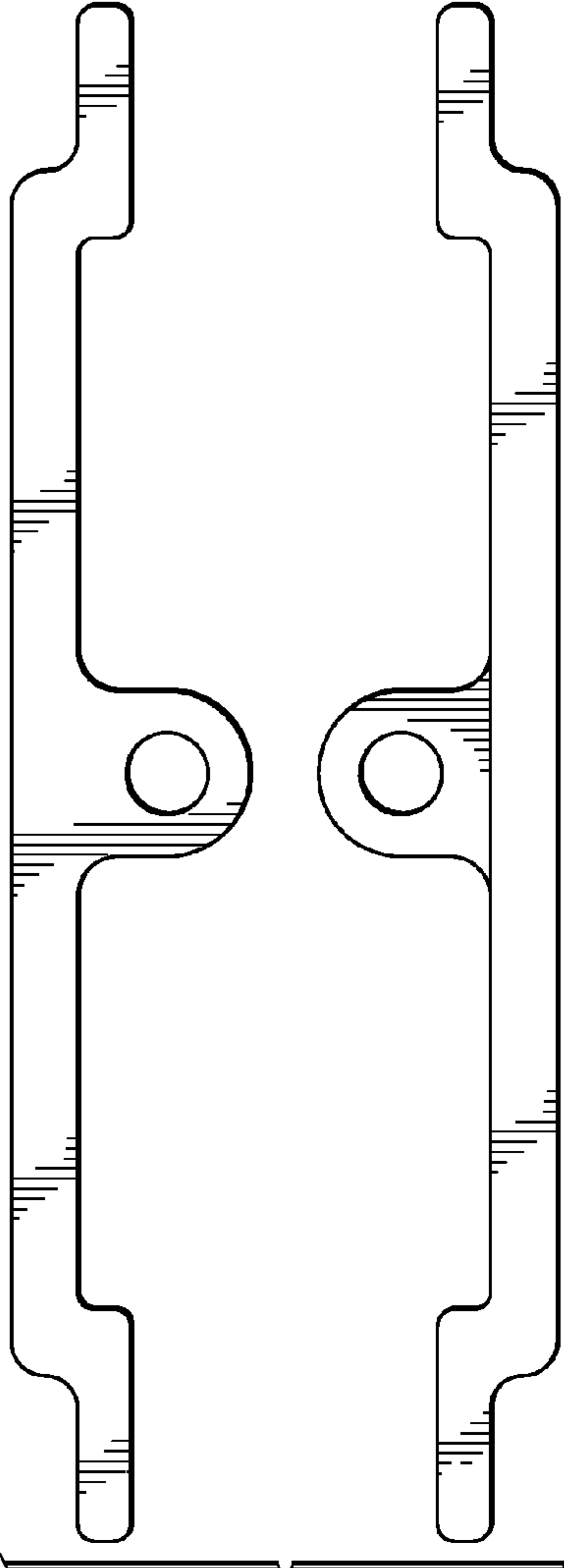


FIG. 3

FIG. 4

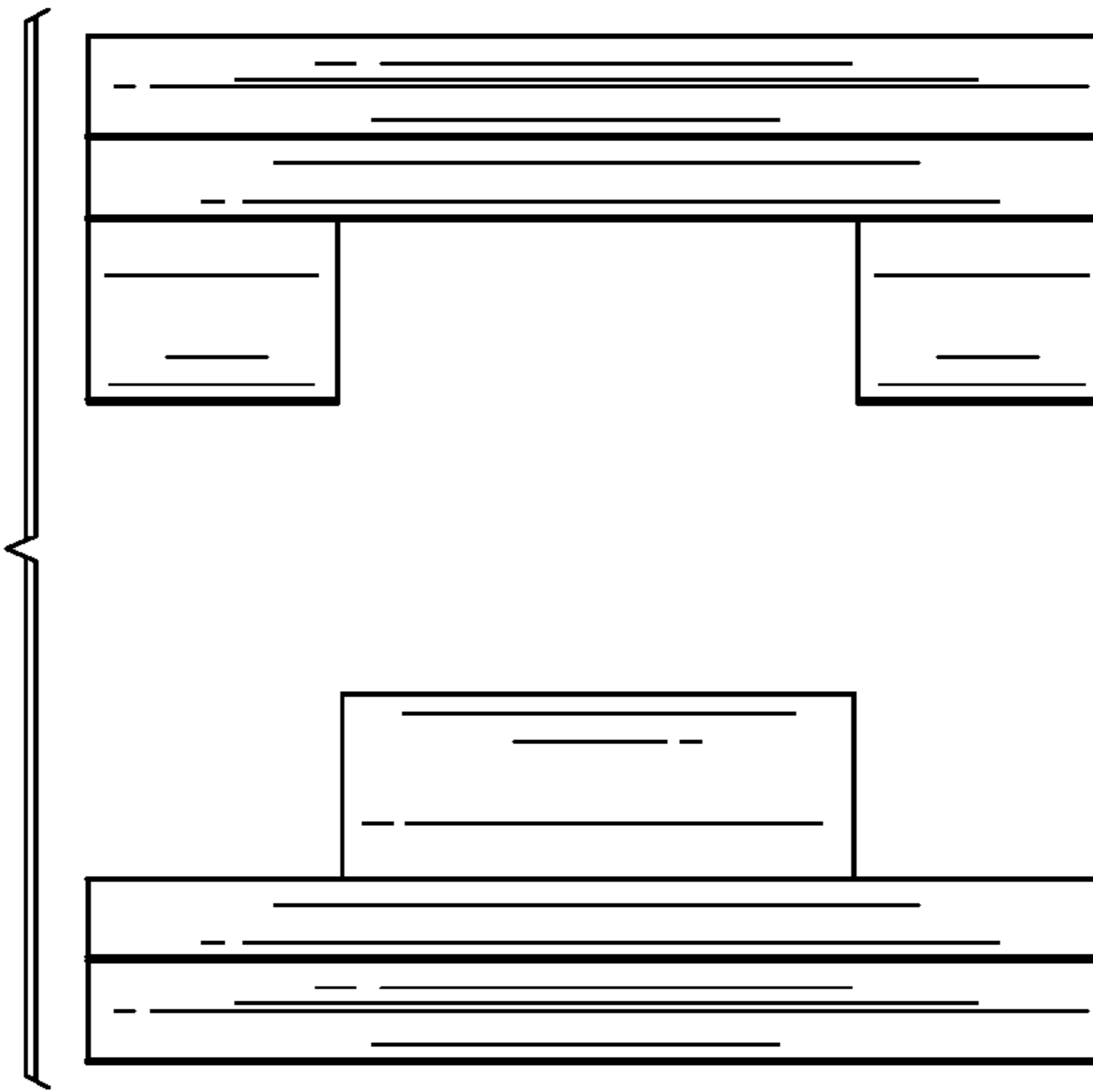
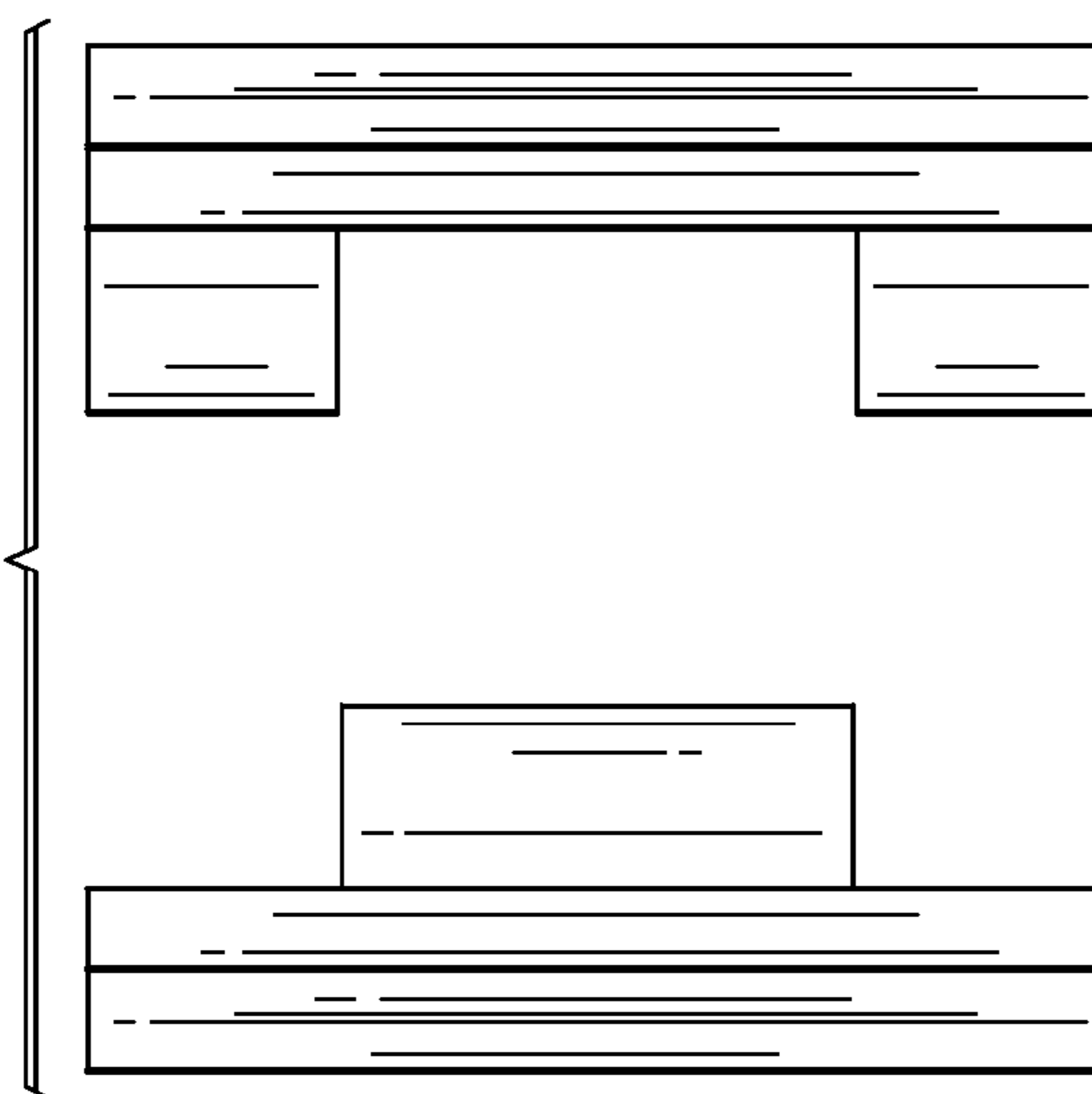


FIG. 5



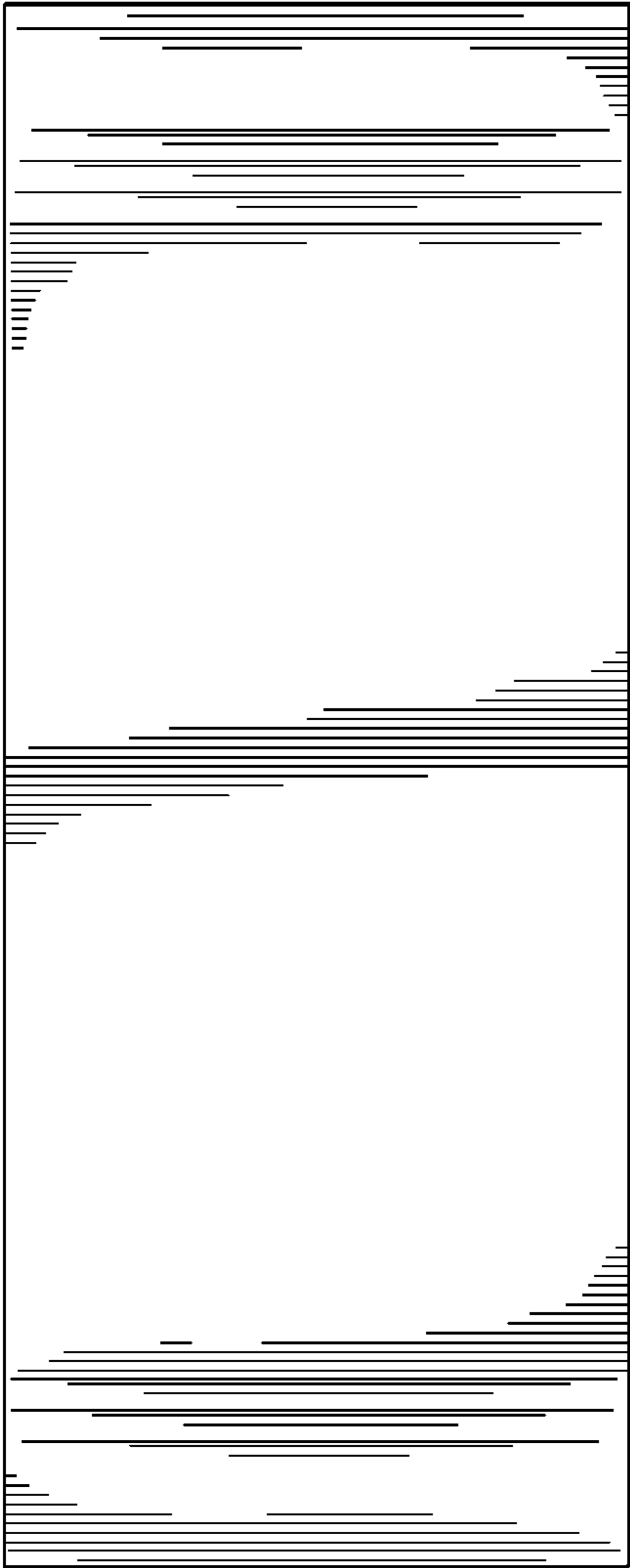


FIG. 6

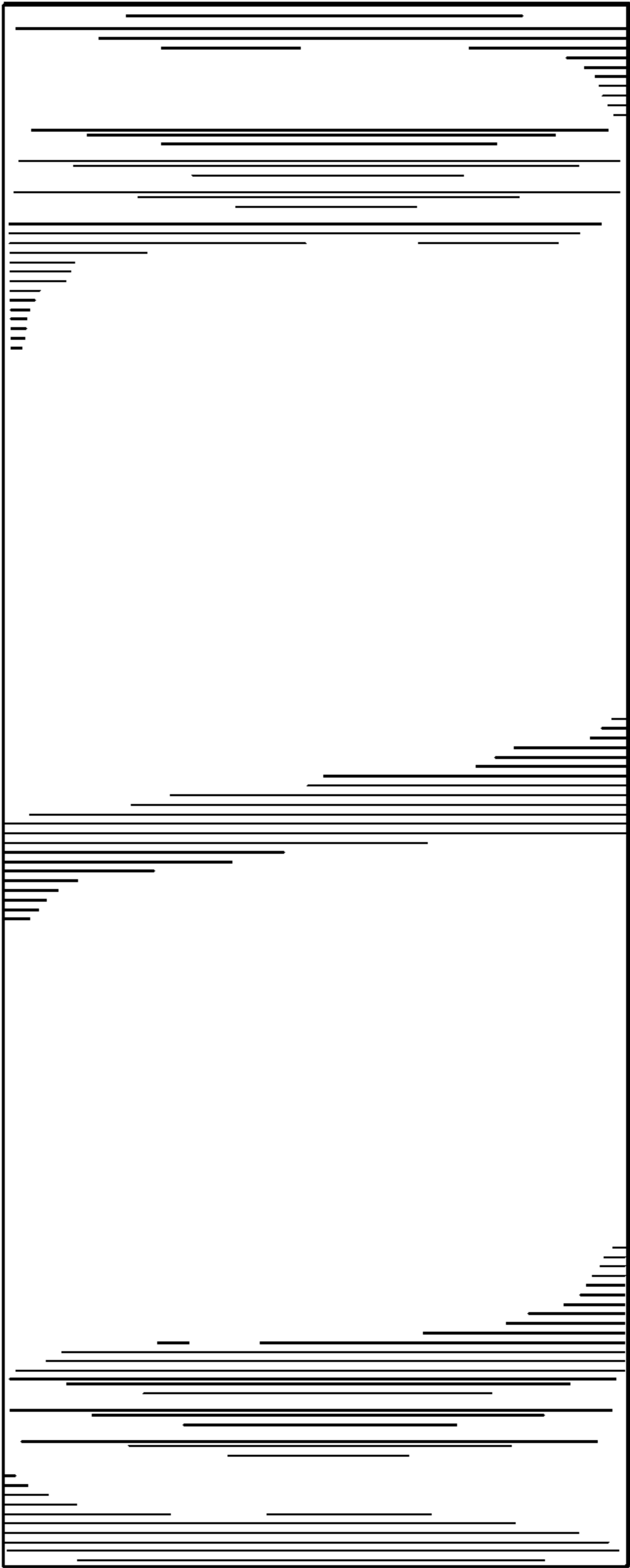


FIG. 7