



US00D681143S

(12) **United States Design Patent**
Nicolette et al.

(10) **Patent No.:** **US D681,143 S**
(45) **Date of Patent:** **** Apr. 30, 2013**

- (54) **GOLF CLUB HEAD**
- (71) Applicant: **Karsten Manufacturing Corporation**,
Phoenix, AZ (US)
- (72) Inventors: **Michael R. Nicolette**, Scottsdale, AZ
(US); **Xiaojian Chen**, Phoenix, AZ (US)
- (73) Assignee: **Karsten Manufacturing Corporation**,
Phoenix, AZ (US)
- (**) Term: **14 Years**
- (21) Appl. No.: **29/440,198**
- (22) Filed: **Dec. 19, 2012**
- (51) **LOC (9) Cl.** **21-02**
- (52) **U.S. Cl.**
USPC **D21/749**
- (58) **Field of Classification Search** D21/747-751,
D21/759; 473/324-331, 350
See application file for complete search history.

(56) **References Cited**

U.S. PATENT DOCUMENTS

D55,278 S	5/1920	Kraeuter	
D234,608 S	3/1975	Raymont	
D240,841 S	8/1976	Solheim	
D256,264 S	8/1980	Solheim	
4,355,808 A	10/1982	Jernigan	
D276,644 S	12/1984	Solheim	
D300,547 S *	4/1989	Kobayashi D21/748
5,014,993 A	5/1991	Antonious	
D318,512 S	7/1991	Piotrowski	
5,048,834 A	9/1991	Gorman	
D330,577 S	10/1992	Solheim	
D332,812 S	1/1993	Solheim	
D344,778 S	3/1994	Solheim	
D357,293 S	4/1995	Solheim	
D357,294 S	4/1995	Solheim	

D368,127 S	3/1996	Solheim
D379,393 S	5/1997	Kubica
D383,819 S	9/1997	Takahashi
5,665,013 A	9/1997	Kobayashi
5,676,605 A	10/1997	Kobayashi
D386,550 S	11/1997	Wright
D386,551 S	11/1997	Solheim

(Continued)

OTHER PUBLICATIONS

Michael R. Nicolette, et al., "Club Head Sets With Varying Characteristics and Related Methods," U.S. Appl. No. 12/791,738, filed Jun. 1, 2010.

(Continued)

Primary Examiner — Mitchell Siegel

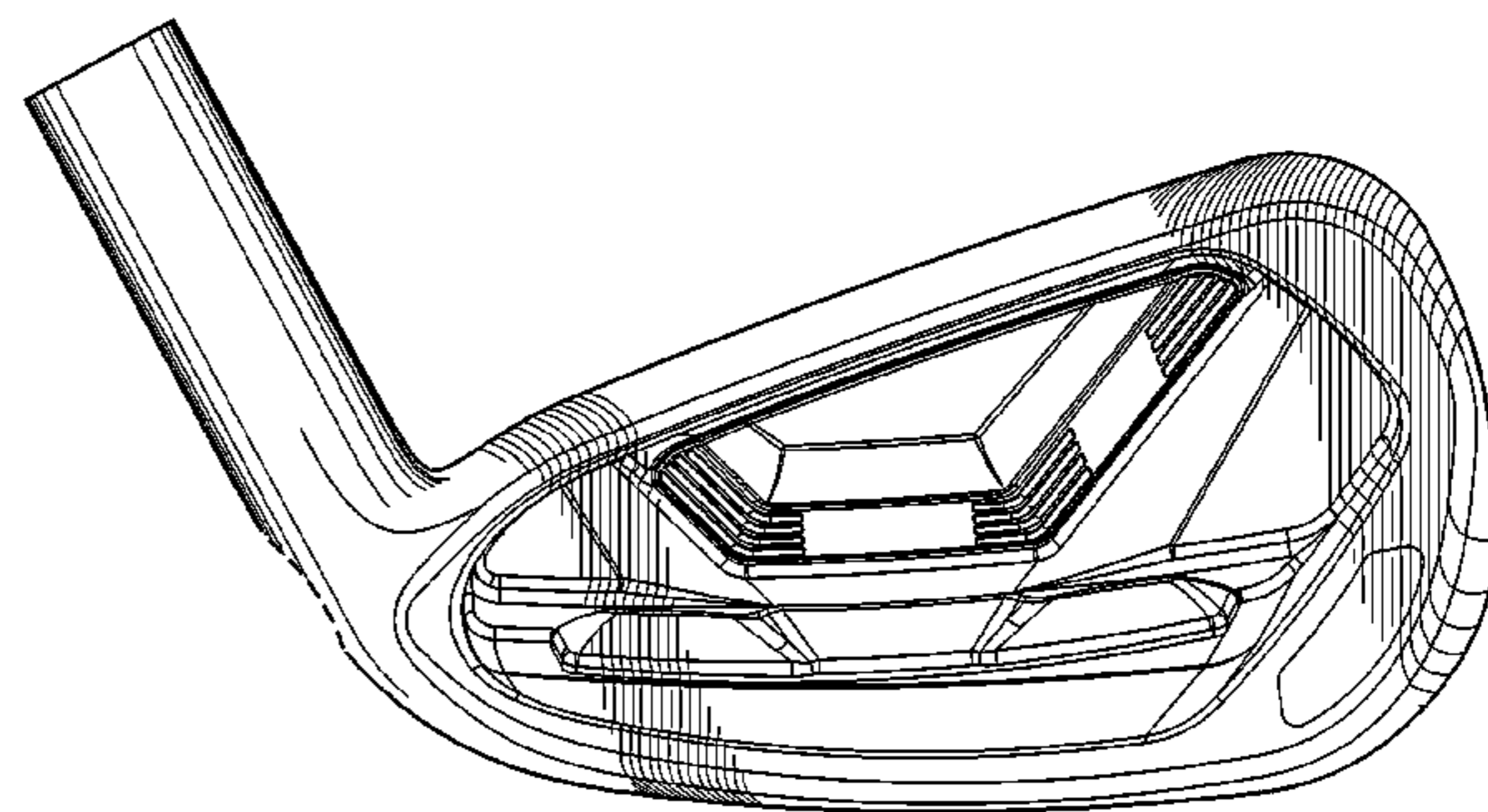
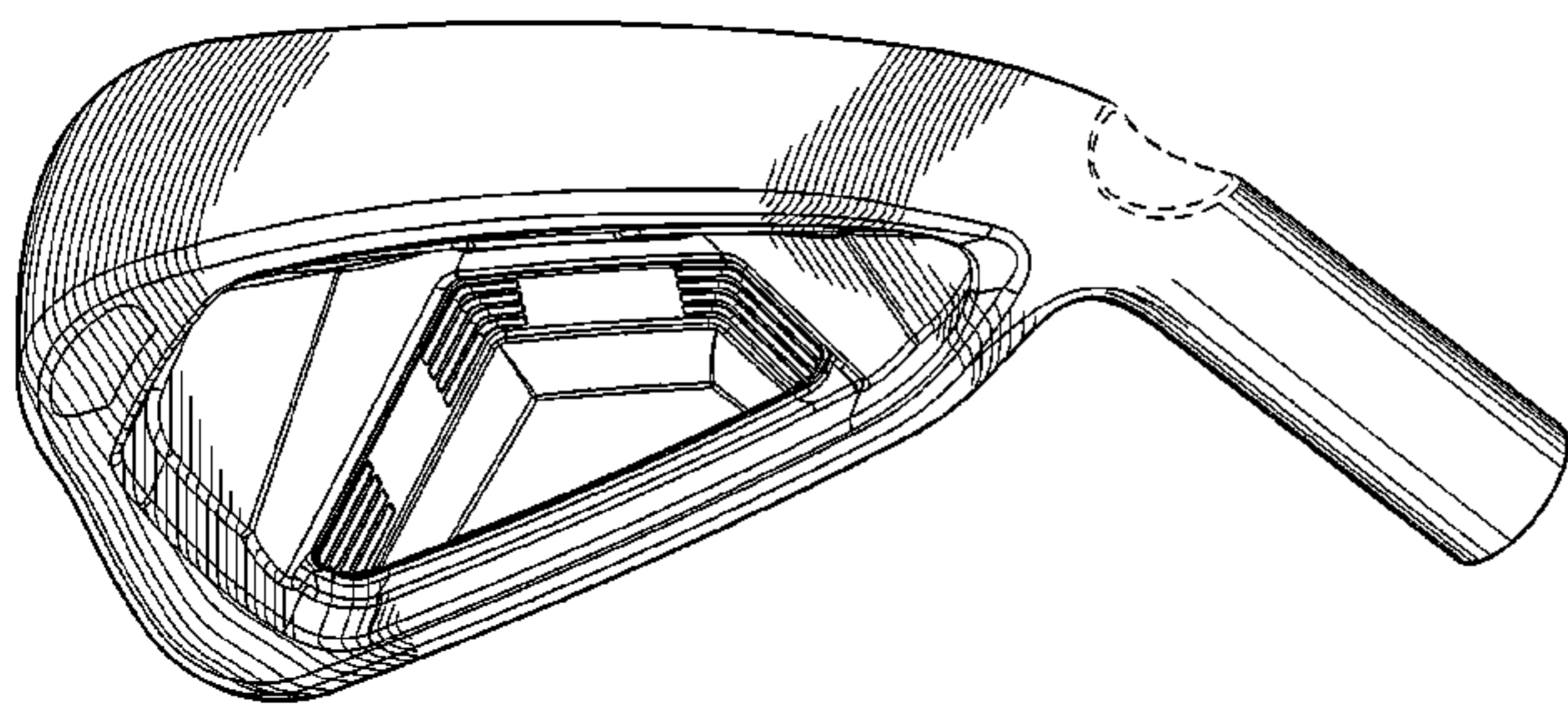
(57) **CLAIM**

The ornamental design for a golf club head, as shown and described.

DESCRIPTION

FIG. 1 is a top perspective view of a golf club head;
 FIG. 2 is a bottom perspective view of the golf club head of FIG. 1;
 FIG. 3 is a front elevational view of the golf club head of FIG. 1;
 FIG. 4 is a rear elevational view of the golf club head of FIG. 1;
 FIG. 5 is a top view of the golf club head of FIG. 1;
 FIG. 6 is a bottom view of the golf club head of FIG. 1;
 FIG. 7 is a left side view of the golf club head of FIG. 1; and,
 FIG. 8 is a right side view of the golf club head of FIG. 1.
 The broken lines shown in one or more of the figures are for illustrative purposes only and form no part of the claimed design.

1 Claim, 4 Drawing Sheets



US D681,143 S

Page 2

U.S. PATENT DOCUMENTS

D387,405 S	12/1997	Solheim	
D388,486 S	12/1997	Mahaffey	
D390,617 S	2/1998	Solheim	
D392,356 S	3/1998	Burrows	
D398,687 S	9/1998	Miyajima	
D411,272 S	6/1999	Burrow	
5,921,869 A	7/1999	Blough	
D418,184 S	12/1999	Kubica	
D421,784 S	3/2000	Kubica	
D422,043 S	3/2000	Kubica	
D428,635 S *	7/2000	Nagai et al.	D21/759
D429,298 S	8/2000	Butler	
D429,299 S	8/2000	Kubica	
D435,278 S *	12/2000	Reed et al.	D21/747
D437,902 S	2/2001	Persinger	
D437,906 S	2/2001	Gilbert	
D442,659 S	5/2001	Kubica	
D443,008 S	5/2001	Kubica	
D444,195 S	6/2001	Wahl	
D458,328 S	6/2002	Solheim	
D465,253 S	11/2002	Best	
D473,605 S	4/2003	Petersen	
D475,108 S	5/2003	Madore	
6,695,714 B1	2/2004	Bliss	
D492,376 S	6/2004	Nicolette	
D494,240 S	8/2004	Schweigert	
D494,648 S	8/2004	Schweigert	
D500,350 S	12/2004	Schweigert	
D500,351 S	12/2004	Schweigert	
D502,237 S	2/2005	Schweigert	
D502,975 S	3/2005	Schweigert	
D503,204 S	3/2005	Nicolette	
D504,925 S	5/2005	Schweigert	
D505,171 S	5/2005	Schweigert	
D507,614 S	7/2005	Schweigert	
D692,344	7/2005	Gilbert	
D508,099 S	8/2005	Schweigert	
D514,183 S	1/2006	Schweigert	
D516,152 S	2/2006	Madore	
D517,625 S	3/2006	Sanchez	
D519,179 S	4/2006	Roberts	
D523,501 S	6/2006	Nicolette	
D530,759 S	10/2006	Nicolette	
D530,760 S	10/2006	Schweigert	
7,125,343 B2	10/2006	Imamoto	
D532,849 S	11/2006	Nicolette	
D534,228 S	12/2006	Nicolette	
D534,595 S	1/2007	Hasebe	
D534,597 S	1/2007	Nicolette	
D536,759 S	2/2007	Schweigert	
D537,494 S	2/2007	Jertson	
D538,366 S	3/2007	Nicolette	
D539,862 S	4/2007	Nunez	
D539,864 S	4/2007	Nicolette	
D540,898 S	4/2007	Solheim	
D541,360 S	4/2007	Schweigert	
7,207,900 B2	4/2007	Nicolette	
D544,056 S	6/2007	Nicolette	
D554,212 S	10/2007	Nunez	
D554,218 S	10/2007	Ruggiero	
D559,931 S	1/2008	Roach	
D561,855 S	2/2008	Schweigert	
D562,925 S	2/2008	Schweigert	
D570,435 S	6/2008	Sanchez	
D570,935 S	6/2008	Nicolette	
D570,936 S	6/2008	Schweigert	
D571,422 S	6/2008	Schweigert	
D571,881 S	6/2008	Nicolette	
D572,326 S	7/2008	Schweigert	
D572,329 S	7/2008	Nicolette	
D573,219 S	7/2008	Schweigert	
7,396,299 B2	7/2008	Nicolette	
D577,783 S	9/2008	Schweigert	
D578,590 S	10/2008	Schweigert	
D579,996 S *	11/2008	Gilbert et al.	D21/747
D581,000 S	11/2008	Nicolette	
D596,256 S	7/2009	Schweigert	
D596,257 S	7/2009	Jertson	
D597,158 S	7/2009	Schweigert	
D601,215 S *	9/2009	Diaz et al.	D21/747
D601,216 S	9/2009	Jertson	
D601,651 S *	10/2009	Jorgensen et al.	D21/759
D602,103 S *	10/2009	Jorgensen et al.	D21/747
D604,783 S	11/2009	Nicolette	
D607,073 S	12/2009	Jertson	
D621,893 S	8/2010	Nicolette	
D621,894 S	8/2010	Schweigert	
D621,895 S	8/2010	Schweigert	
D627,410 S	11/2010	Nicolette	
D631,110 S *	1/2011	Kim et al.	D21/747
D635,627 S	4/2011	Nicolette	
D641,446 S *	7/2011	Engel et al.	D21/759
D643,491 S	8/2011	Stokke	
D643,896 S	8/2011	Jertson	
D647,582 S	10/2011	Nicolette	
D672,417 S	12/2012	Jertson	
2003/0119602 A1	6/2003	Kennedy, III	
2005/0009632 A1	1/2005	Schweigert	
2005/0096156 A1	5/2005	Chen	
2006/0258480 A1	11/2006	Hou	
2007/0117653 A1	5/2007	Yoneyama	
2007/0225084 A1	9/2007	Schweigert	
2008/0300065 A1	12/2008	Schweigert	
2009/0029790 A1	1/2009	Nicolette	
2009/0029791 A1	1/2009	Solheim	
2009/0118033 A1	5/2009	Nakamura	
2009/0149277 A1	6/2009	Deng	
2010/0178999 A1	7/2010	Nicolette	
2010/0279796 A1	11/2010	Nicolette	

OTHER PUBLICATIONS

Michael R. Nicolette, et al., "Club Head Sets With Varying Characteristics and Related Methods," U.S. Appl. No. 12/791,734, filed Jun. 1, 2010.

Michael R. Nicolette, et al., "Golf Club Head," U.S. Appl. No. 29/440,192, filed Dec. 19, 2012.

* cited by examiner

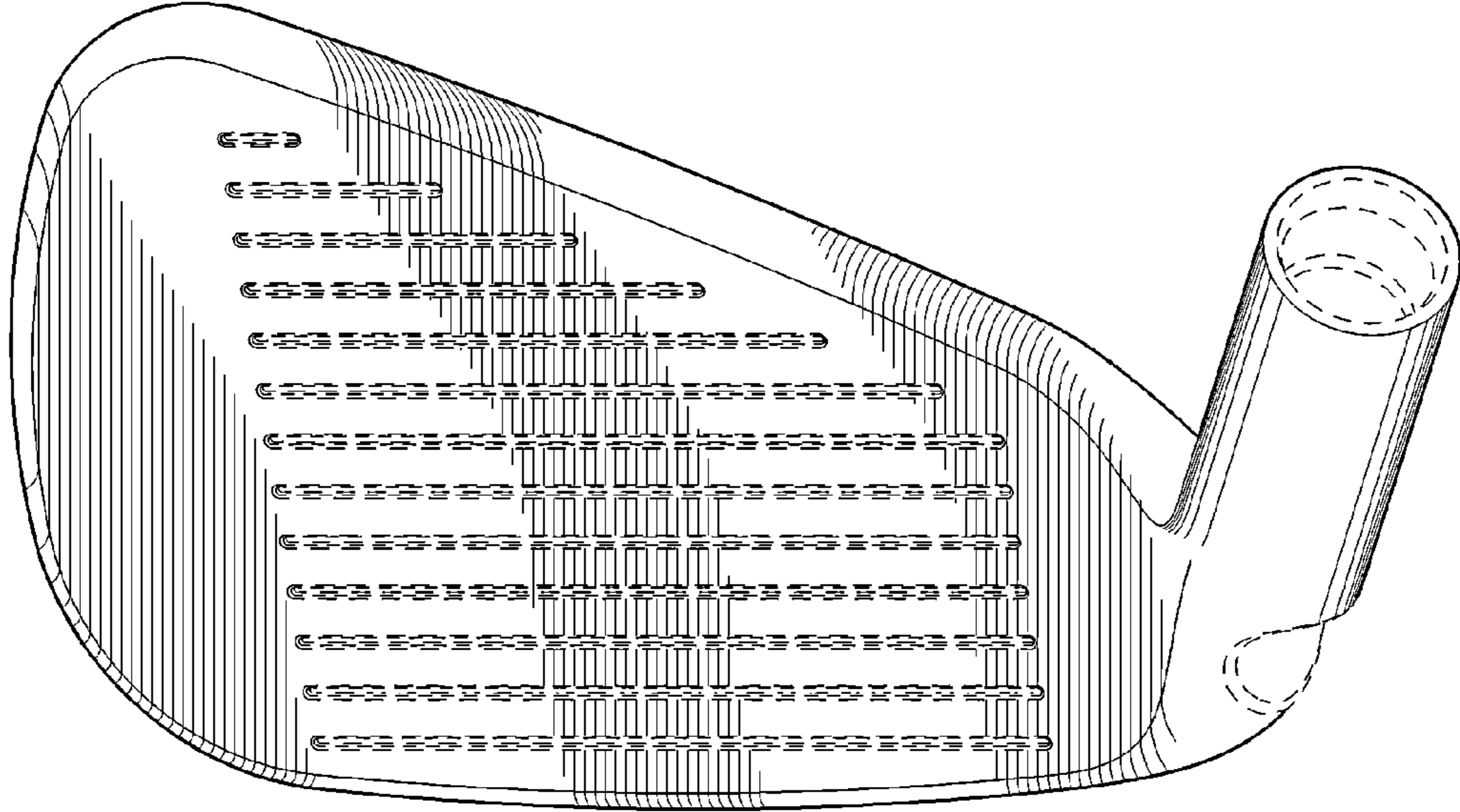


Fig. 1

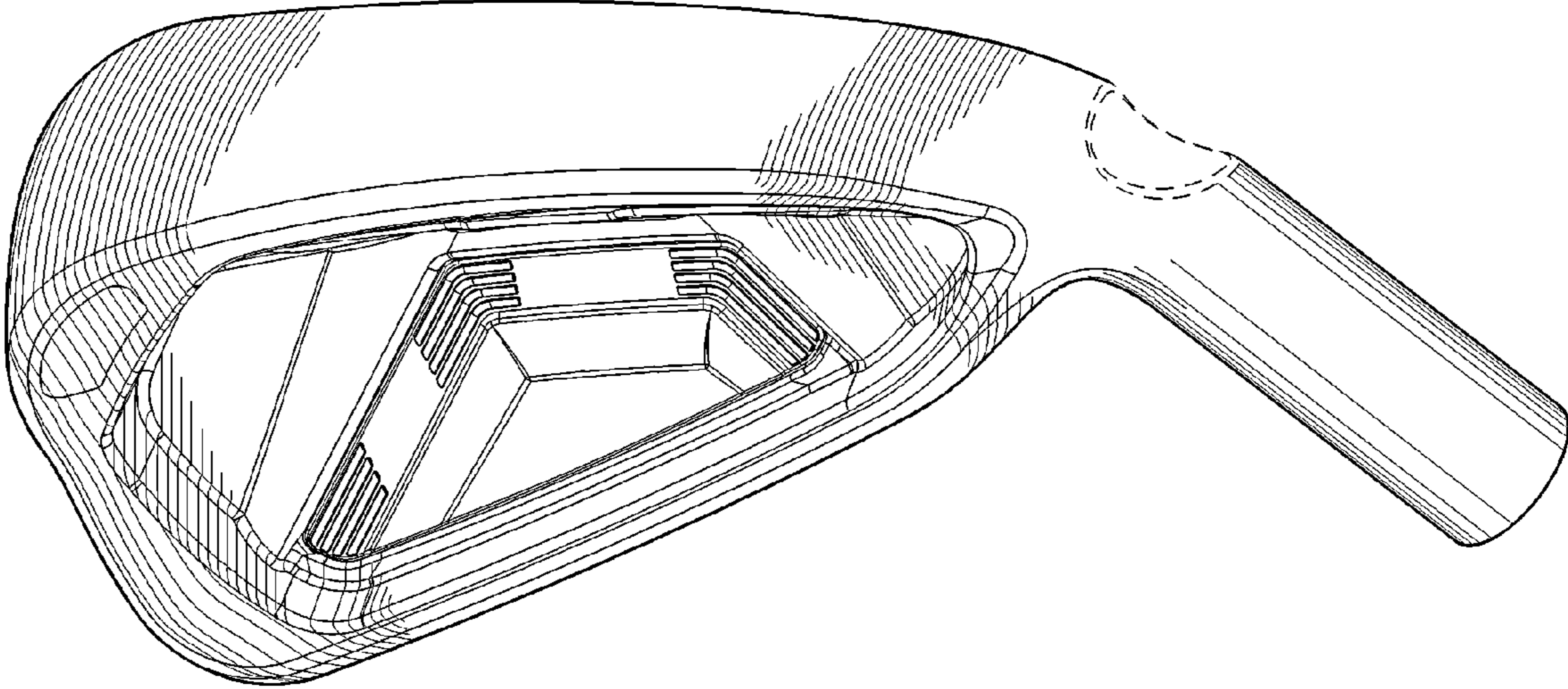


Fig. 2

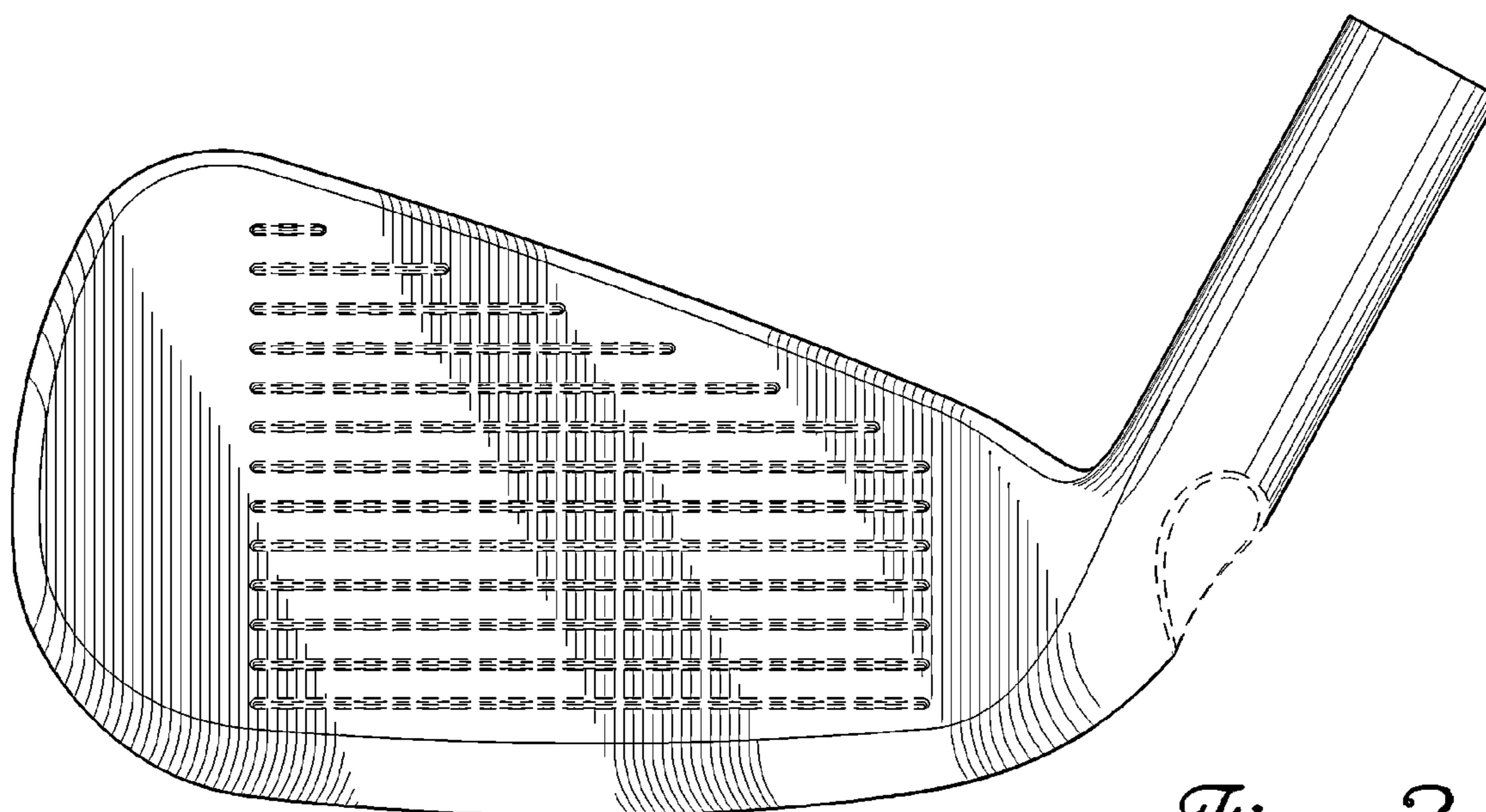


Fig. 3

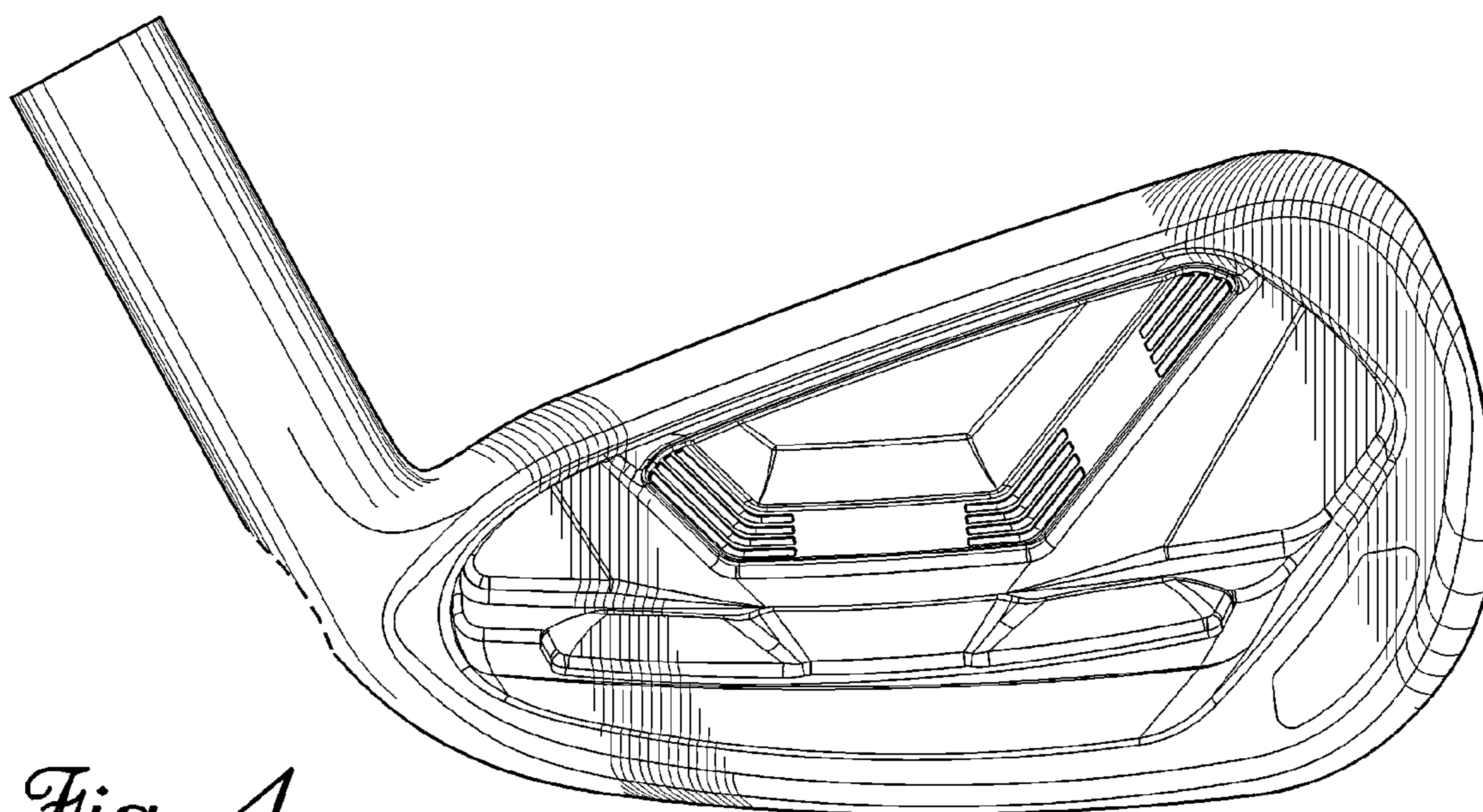


Fig. 4

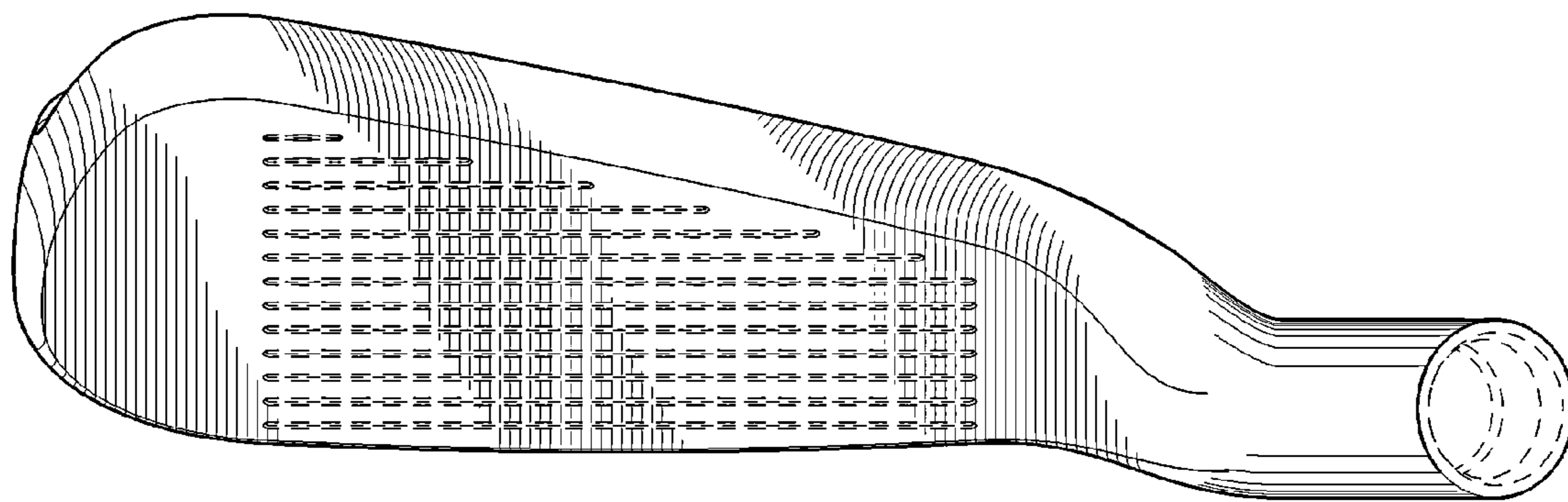


Fig. 5

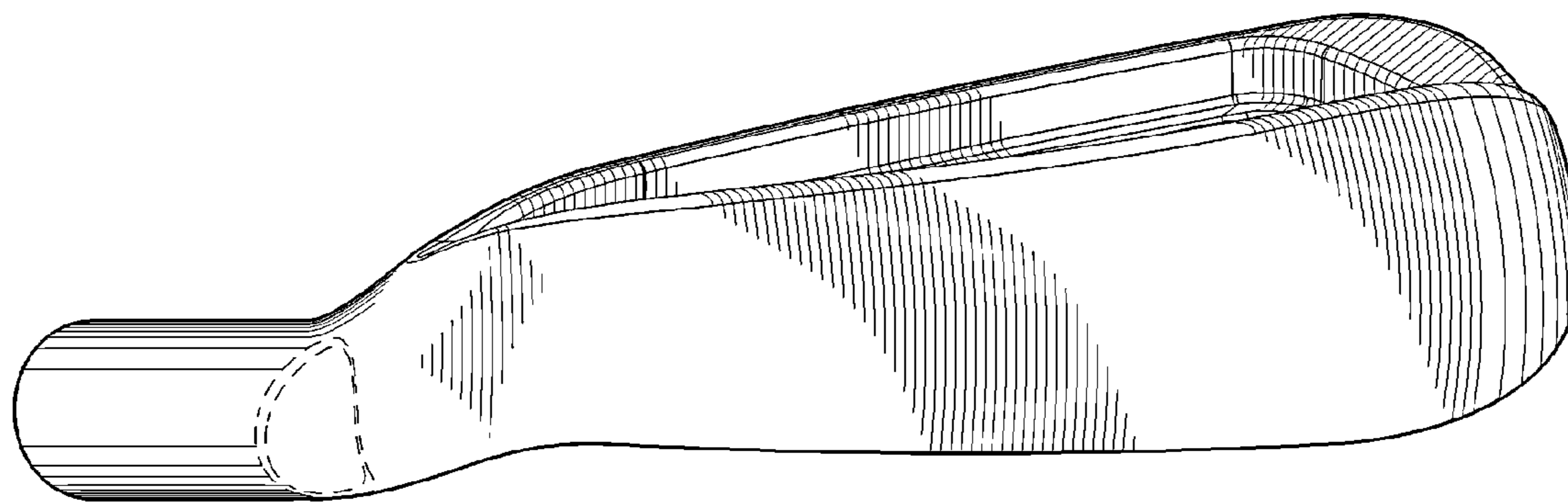


Fig. 6

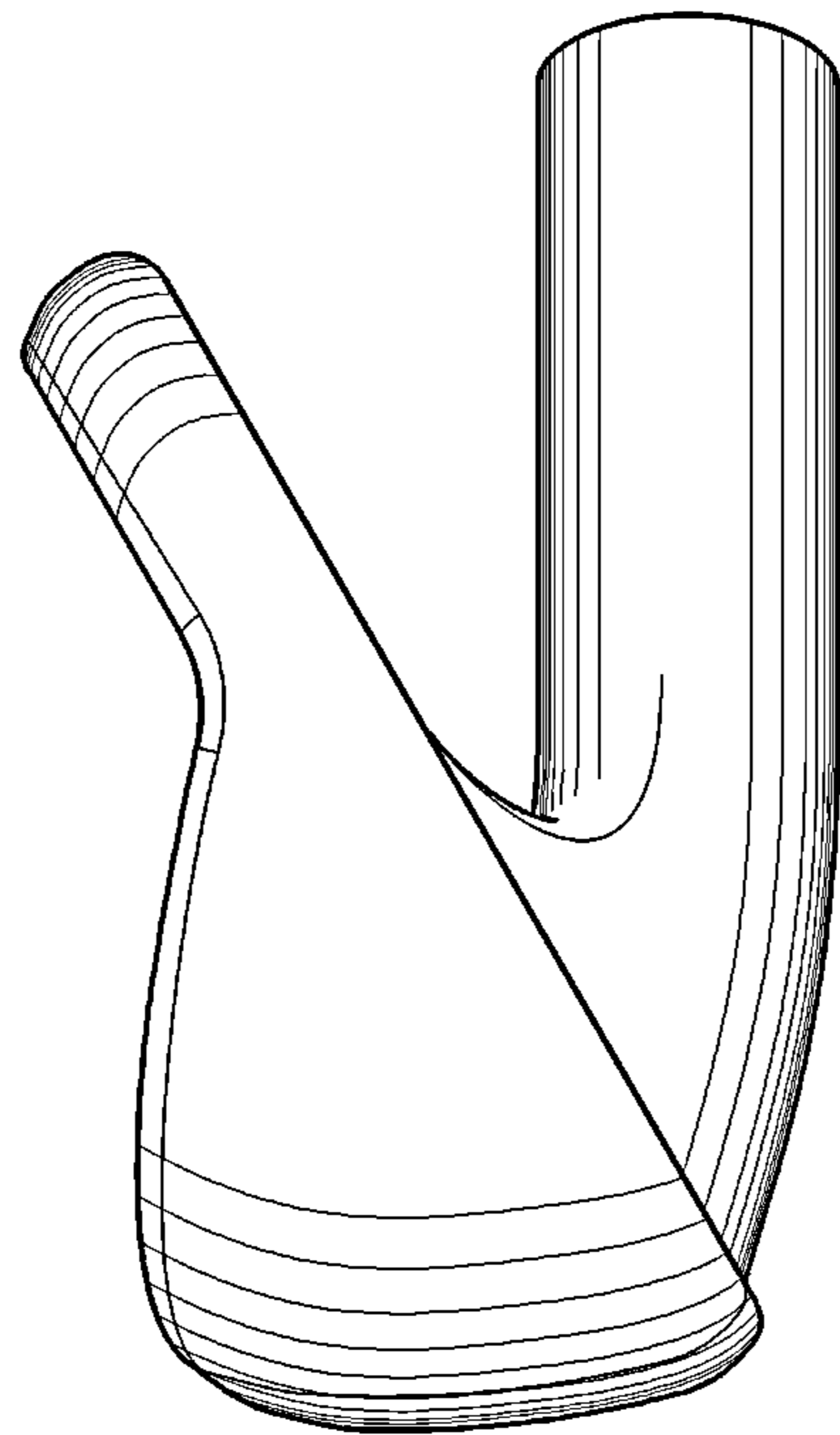


Fig. 7

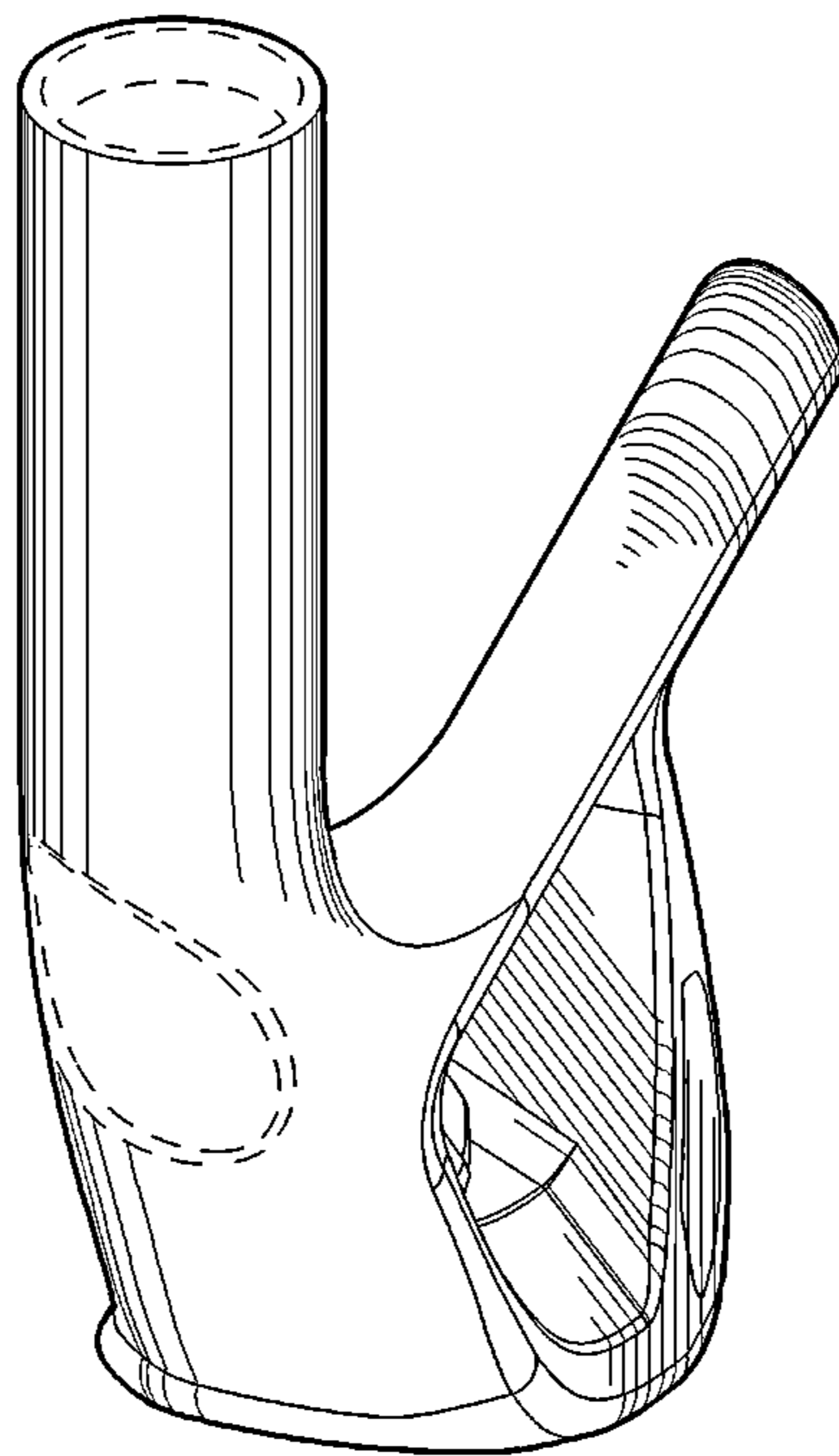


Fig. 8