



US00D681141S

(12) **United States Design Patent**
Graves

(10) **Patent No.:** **US D681,141 S**
(45) **Date of Patent:** **** Apr. 30, 2013**

(54) **GOLF PUTTER**

(76) Inventor: **Walter H. Graves**, Little River, SC (US)

(**) Term: **14 Years**

(21) Appl. No.: **29/422,344**

(22) Filed: **May 18, 2012**

(51) **LOC (9) Cl.** **21-02**

(52) **U.S. Cl.**
USPC **D21/742**

(58) **Field of Classification Search** D21/736-746,
D21/759; 473/324-331, 340-341, 251-256
See application file for complete search history.

D595,371 S * 6/2009 Graves D21/736
D597,615 S * 8/2009 Graves D21/736
D620,993 S * 8/2010 Laub D21/746
D623,251 S * 9/2010 Rollinson D21/744
2004/0038755 A1 2/2004 Laux et al.
2006/0025230 A1 2/2006 Zeuch

* cited by examiner

Primary Examiner — Mitchell Siegel

(74) *Attorney, Agent, or Firm* — P. Jeff Martin; The Law Firm of P. Jeffrey Martin, LLC

(57) **CLAIM**

The ornamental design for a golf putter, as shown and described.

DESCRIPTION

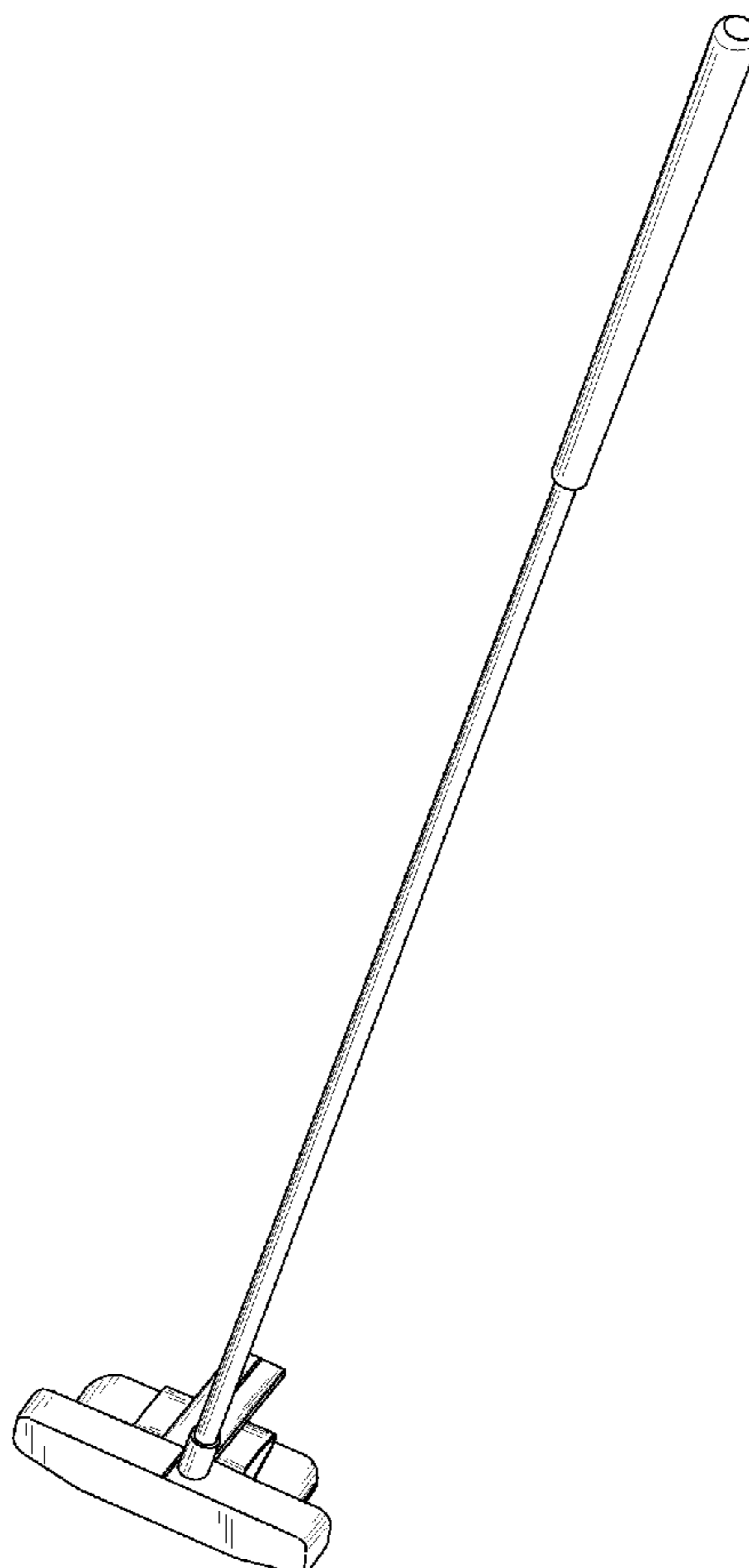
FIG. 1 is a rear perspective view of a golf putter showing my new design;
FIG. 2 is a right side view thereof;
FIG. 3 is a left side view thereof;
FIG. 4 is a front view thereof;
FIG. 5 is a rear view thereof;
FIG. 6 is a top view thereof; and,
FIG. 7 is a bottom view thereof.

1 Claim, 2 Drawing Sheets

(56) **References Cited**

U.S. PATENT DOCUMENTS

4,799,684 A 1/1989 Rango
5,779,558 A 7/1998 Britton
6,095,935 A 8/2000 Gooselaw et al.
6,176,792 B1 1/2001 Tate
6,517,445 B1 2/2003 O'Neill
6,758,762 B2 7/2004 Markwood
6,964,619 B1 11/2005 Mejia
7,153,218 B1 12/2006 Elkin
D559,930 S * 1/2008 Cameron et al. D21/746
D585,511 S * 1/2009 Cameron D21/743



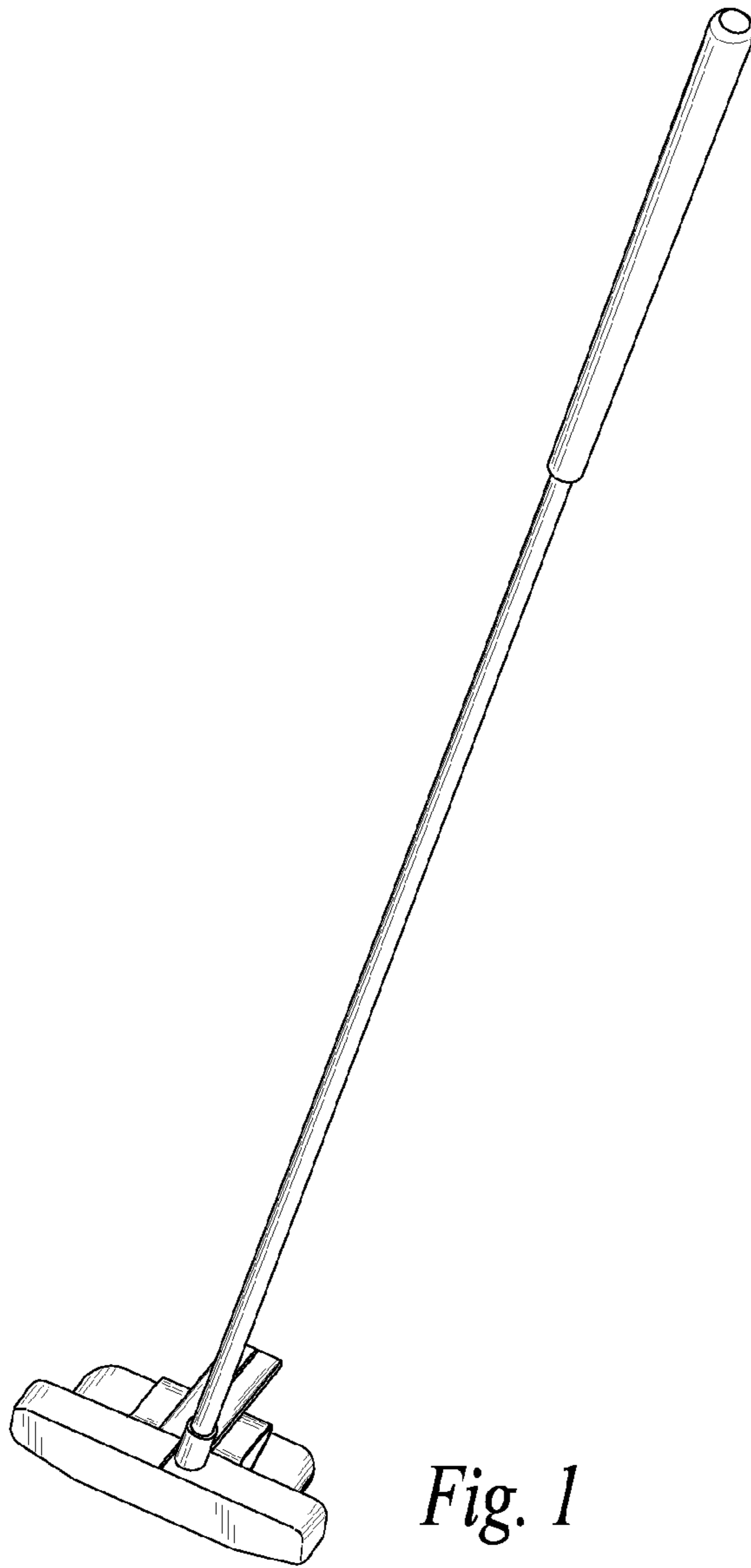


Fig. 1

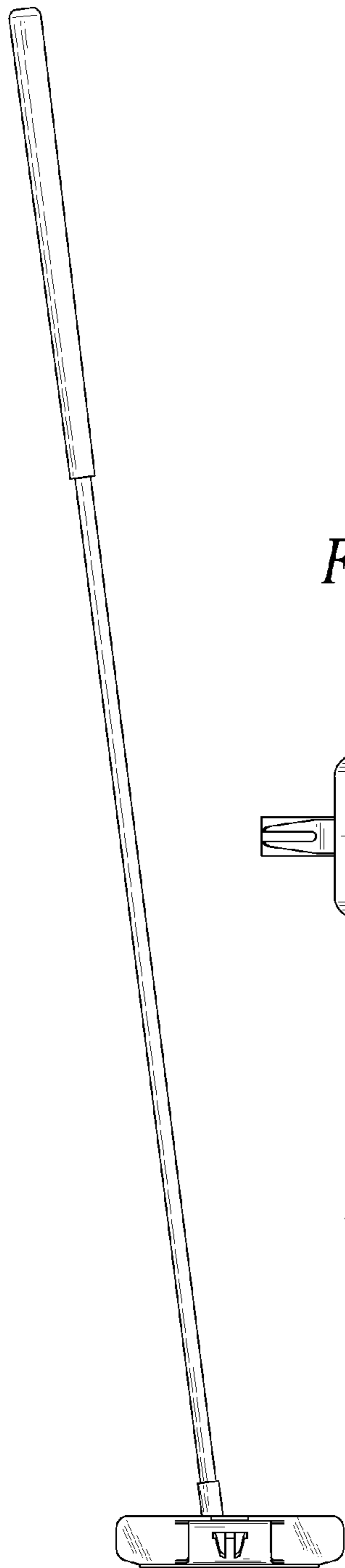


Fig. 2

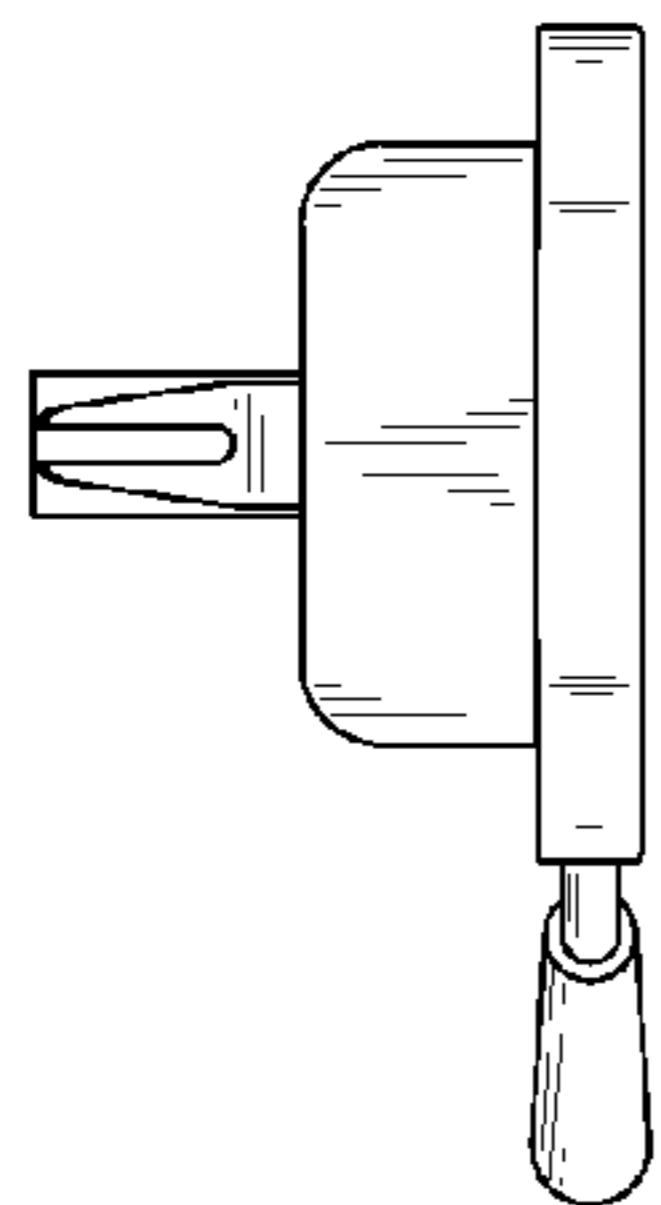


Fig. 7

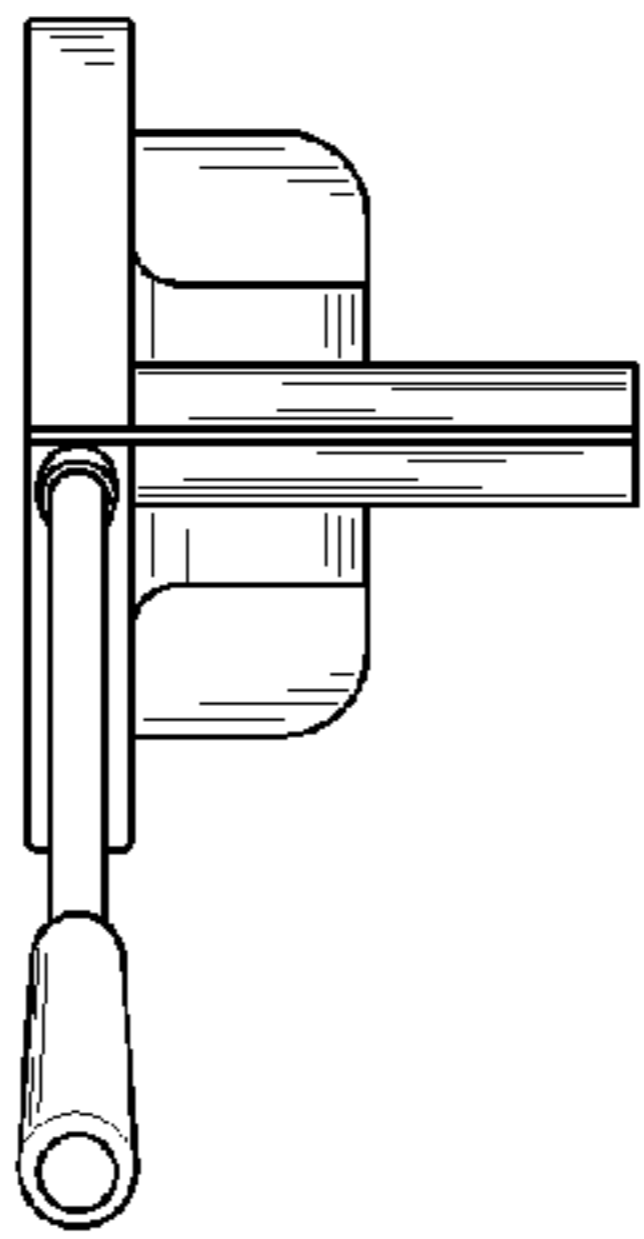


Fig. 6



Fig. 3

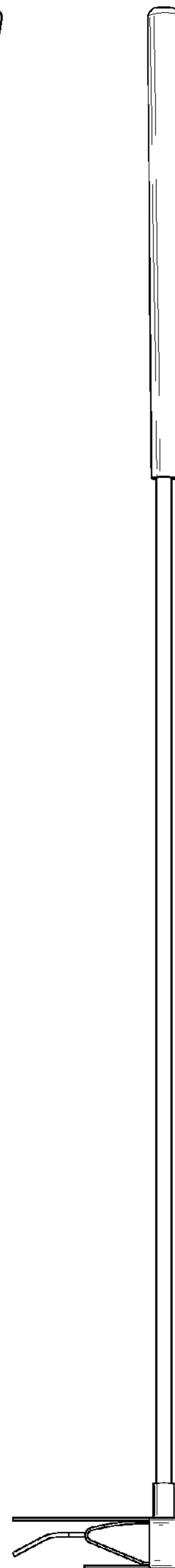


Fig. 4

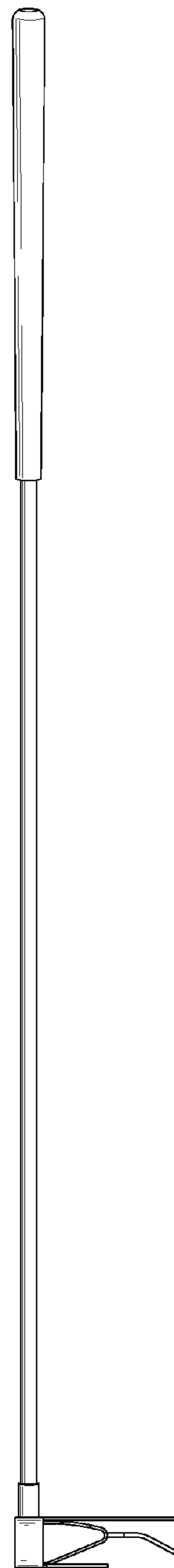


Fig. 5