



US00D681139S

(12) **United States Design Patent**
Persona

(10) **Patent No.:** **US D681,139 S**
(45) **Date of Patent:** **** Apr. 30, 2013**

- (54) **SMALL SOCCER NET**
- (76) Inventor: **Juan M. Persona**, San Diego, CA (US)
- (**) Term: **14 Years**
- (21) Appl. No.: **29/411,542**
- (22) Filed: **Jan. 23, 2012**
- (51) **LOC (9) Cl.** **21-02**
- (52) **U.S. Cl.**
USPC **D21/705**
- (58) **Field of Classification Search** D21/302,
D21/303, 305, 698-705, 780, 781, 789;
473/415-504; 273/348-412
See application file for complete search history.

5,516,115	A	5/1996	McLain	
D371,587	S	7/1996	Braun	
5,558,338	A *	9/1996	Taub	473/416
D431,272	S *	9/2000	Graham	D21/702
6,752,728	B1 *	6/2004	Tien	473/433
2002/0132685	A1 *	9/2002	Fusco	473/454
2010/0248866	A1 *	9/2010	Johnson et al.	473/433
2012/0149503	A1 *	6/2012	Cho	473/454

FOREIGN PATENT DOCUMENTS

GB	2055148	*	7/1996
JP	D1355445	*	4/2009
KR	300424928.0000	*	9/2006
WO	D063681-002	*	5/2003

* cited by examiner

Primary Examiner — Catherine Tuttle
(74) *Attorney, Agent, or Firm* — George S. Levy

(56) **References Cited**

U.S. PATENT DOCUMENTS

D222,978	S *	2/1972	Vinas	D21/705
D237,808	S	11/1975	Ekstrand	
4,595,199	A *	6/1986	Offutt	473/435
4,836,542	A	6/1989	Crawley	
D309,170	S *	7/1990	Bisch	D21/702
D317,033	S *	5/1991	Rains	D21/705
D326,128	S *	5/1992	Smith	D21/702
D333,856	S *	3/1993	Cantey	D21/705
5,368,292	A *	11/1994	Metz	473/433
D359,538	S	6/1995	Hague	

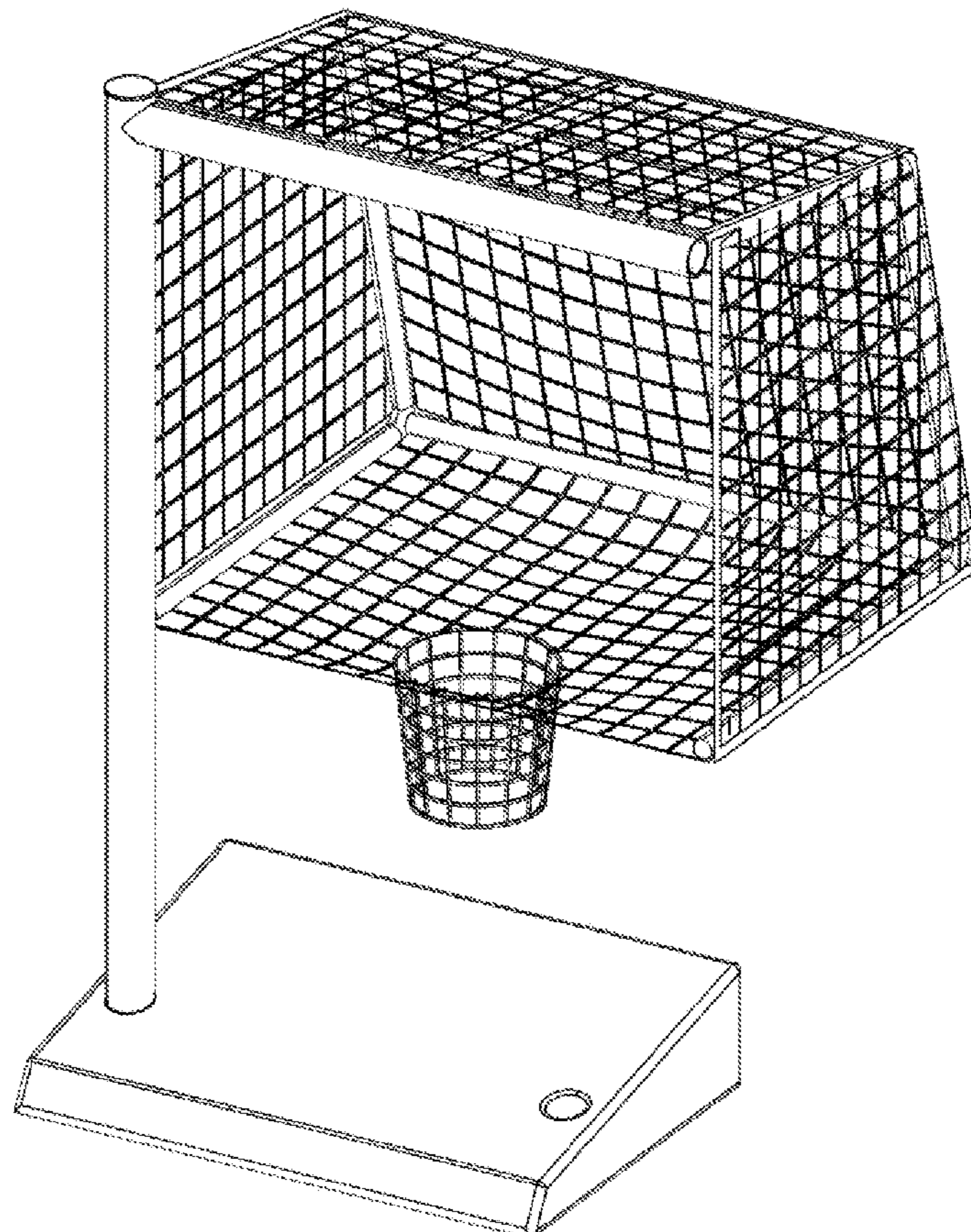
(57) **CLAIM**

The ornamental design for a small soccer net, as shown and described.

DESCRIPTION

FIG. 1 is a front perspective view thereof;
FIG. 2 is a front view thereof; and,
FIG. 3 is a right side view thereof.

1 Claim, 3 Drawing Sheets



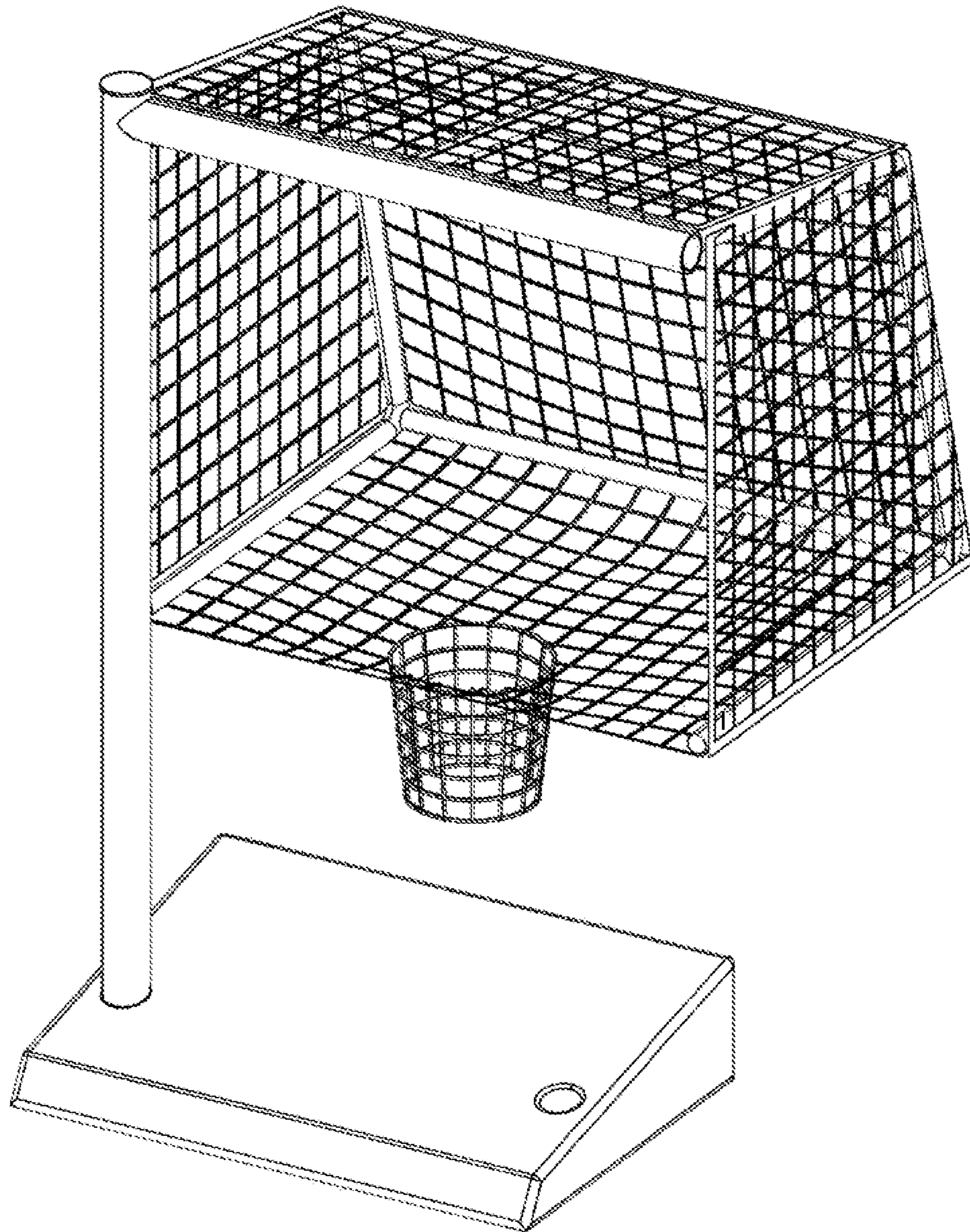


FIG. 1

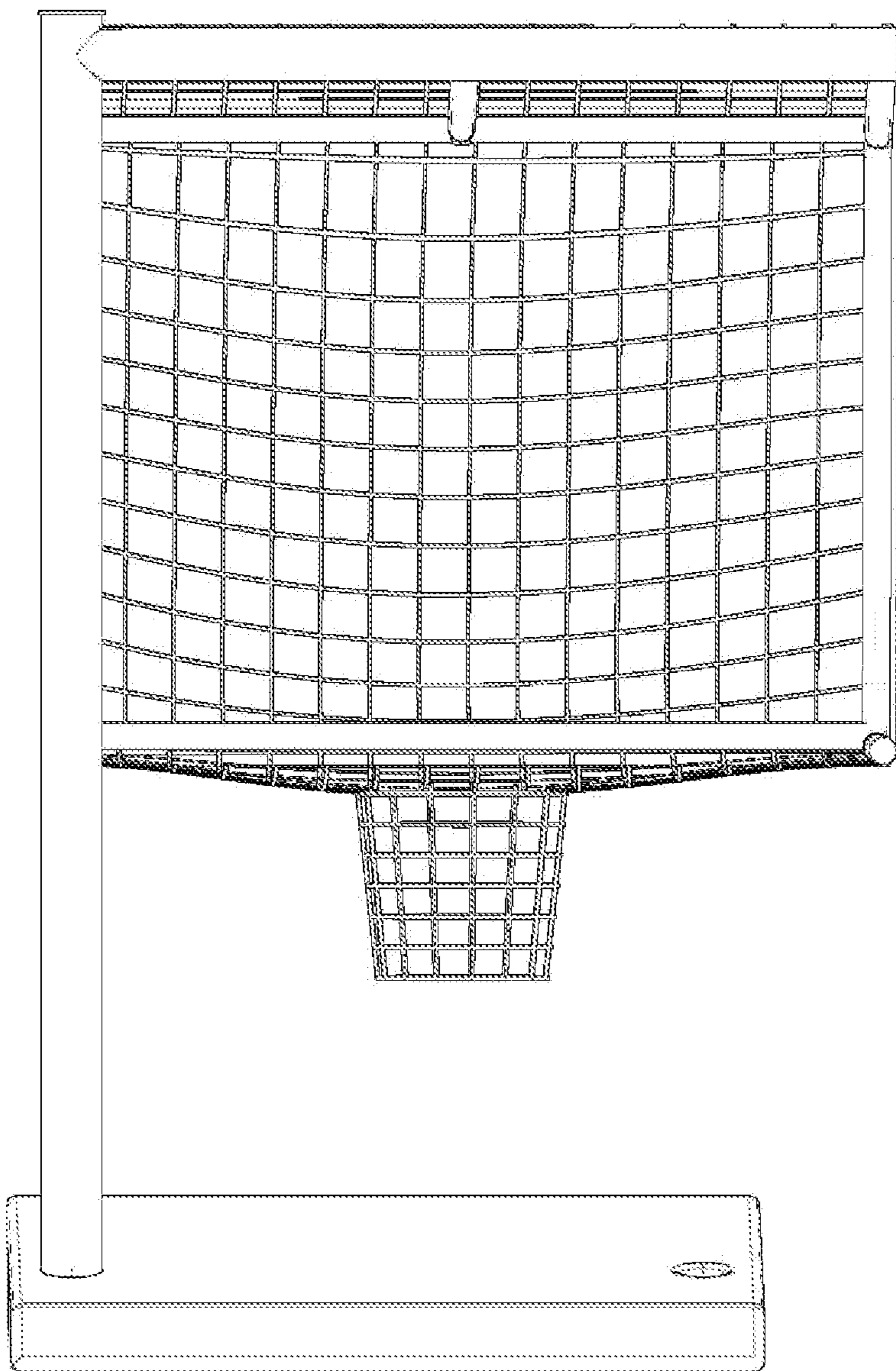


FIG. 2

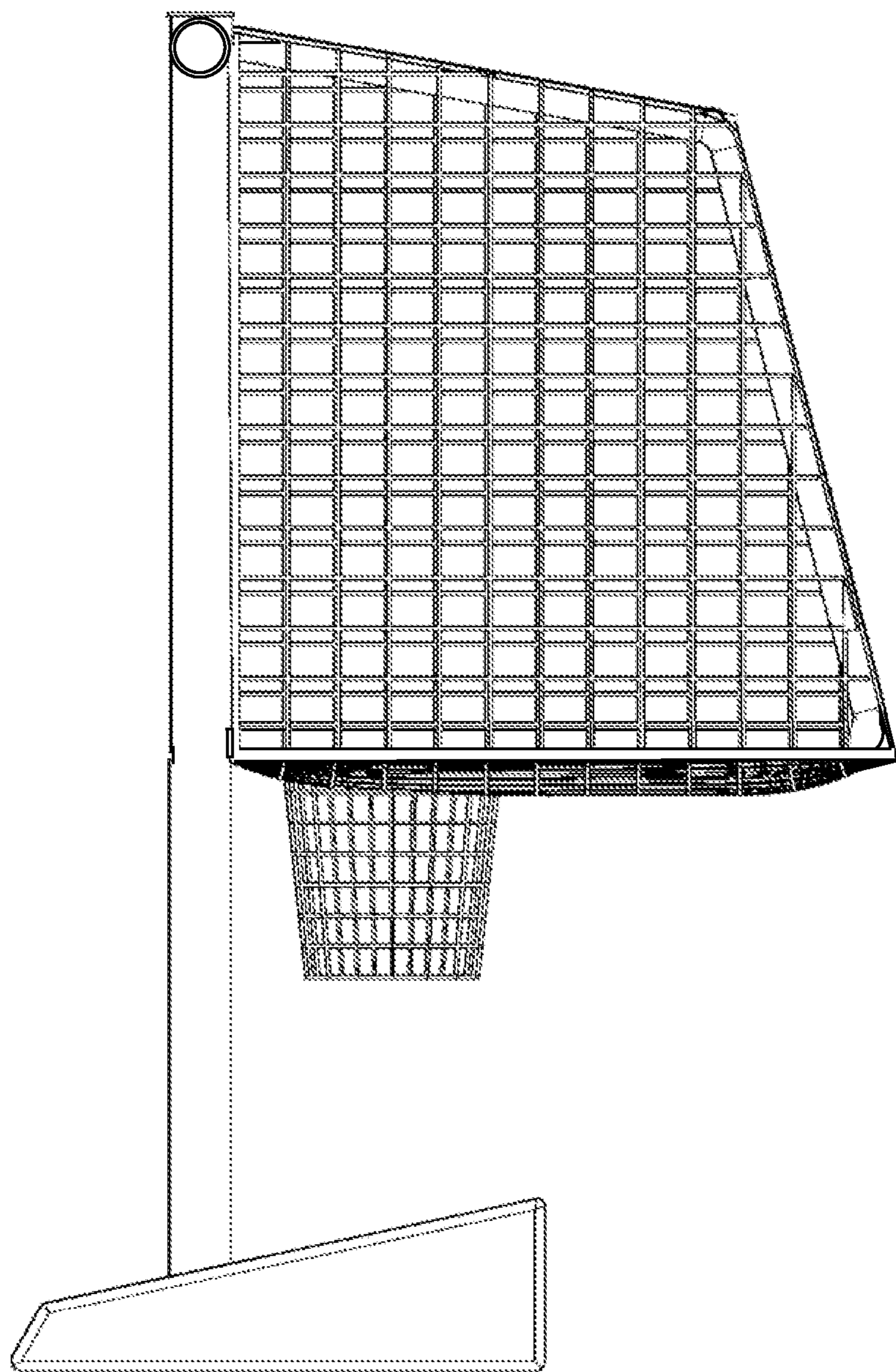


FIG. 3