



US00D681137S

(12) **United States Design Patent**
Perez et al.

(10) **Patent No.:** **US D681,137 S**
(45) **Date of Patent:** **** Apr. 30, 2013**

(54) **EXERCISE APPARATUS**

(75) Inventors: **Charles Perez**, North Hills, CA (US);
Bizhan Fazeli, Irvine, CA (US)

(73) Assignee: **BJ Global Direct, Inc.**, Irvine, CA (US)

(**) Term: **14 Years**

(21) Appl. No.: **29/416,825**

(22) Filed: **Mar. 27, 2012**

(30) **Foreign Application Priority Data**

Dec. 7, 2011 (CN) 2011 3 0512131

(51) **LOC (9) Cl.** **21-02**

(52) **U.S. Cl.**
USPC **D21/676**

(58) **Field of Classification Search** D21/662,
D21/676, 686, 687, 688, 689, 690, 694, 695;
482/62, 97, 99, 102, 104, 121, 130, 133,
482/140, 142, 145

See application file for complete search history.

(56) **References Cited**

U.S. PATENT DOCUMENTS

D370,241 S * 5/1996 Real D21/690
5,967,610 A * 10/1999 Lin 297/340

| | | | |
|-------------------|---------|------------------|---------|
| 6,022,304 A * | 2/2000 | Tornabene et al. | 482/140 |
| 6,726,608 B1 * | 4/2004 | Hsu | 482/130 |
| 6,740,015 B1 * | 5/2004 | Stearns | 482/142 |
| D490,866 S * | 6/2004 | Powers | D21/676 |
| D490,867 S * | 6/2004 | Chen | D21/676 |
| D491,618 S * | 6/2004 | Kuo et al. | D21/676 |
| D502,229 S * | 2/2005 | Tremayne | D21/673 |
| D623,706 S * | 9/2010 | Thomason et al. | D21/676 |
| D639,873 S * | 6/2011 | Abdo | D21/676 |
| D649,205 S * | 11/2011 | Zachary | D21/676 |
| 2011/0160026 A1 * | 6/2011 | Perez, Jr. | 482/142 |

* cited by examiner

Primary Examiner — Susan E Krakower

(74) *Attorney, Agent, or Firm* — Muncy, Geissler, Olds & Lowe, PLLC

(57) **CLAIM**

The ornamental design for an exercise apparatus, as shown and described.

DESCRIPTION

FIG. 1 shows a perspective view of an exercise apparatus of the present design.

FIG. 2 shows a front view of the present design.

FIG. 3 shows a rear view of the present design.

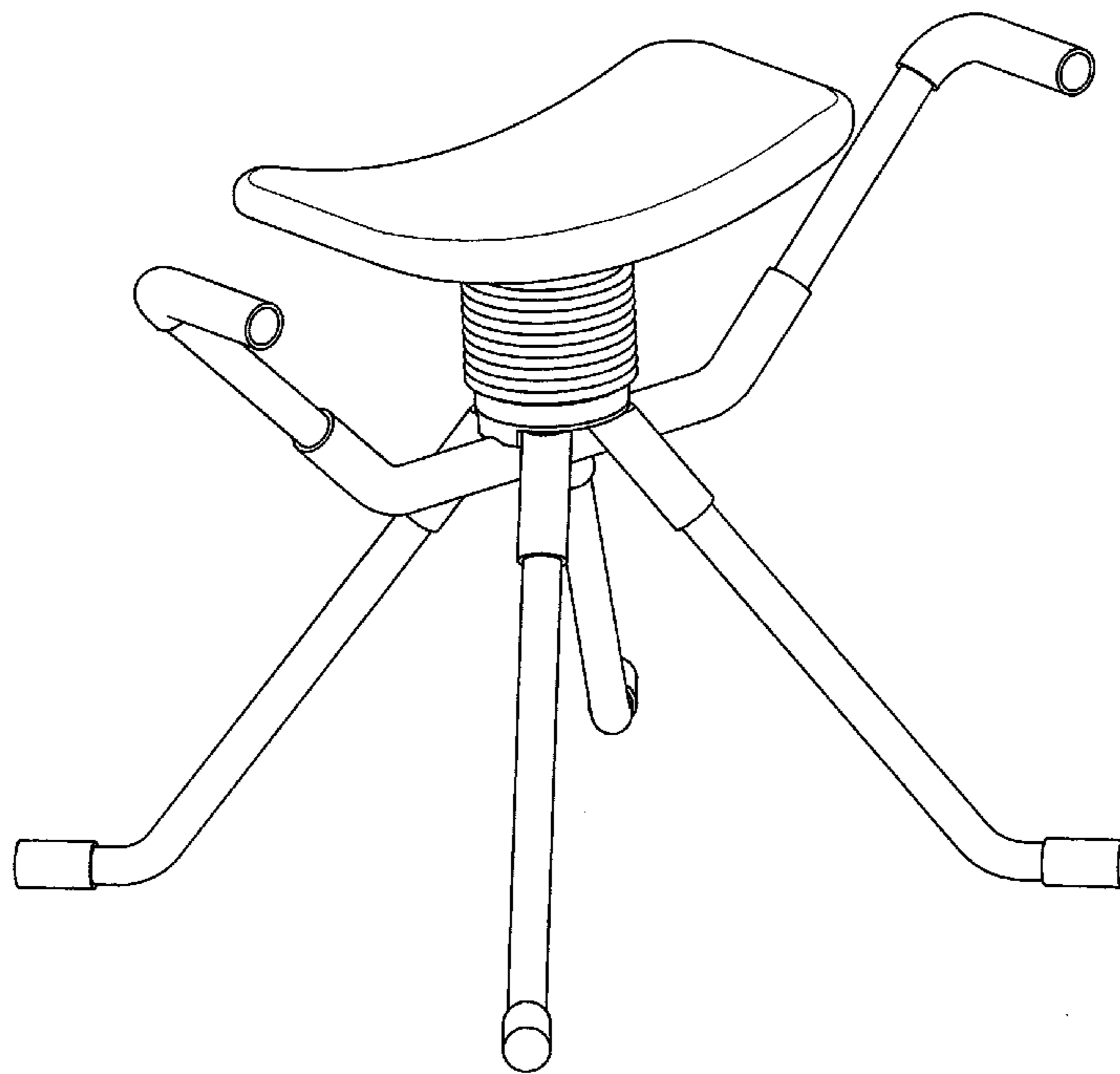
FIG. 4 shows a left side view of the present design.

FIG. 5 shows a right side view of the present design.

FIG. 6 shows a top view of the present design; and,

FIG. 7 shows a bottom view of the present design.

1 Claim, 7 Drawing Sheets



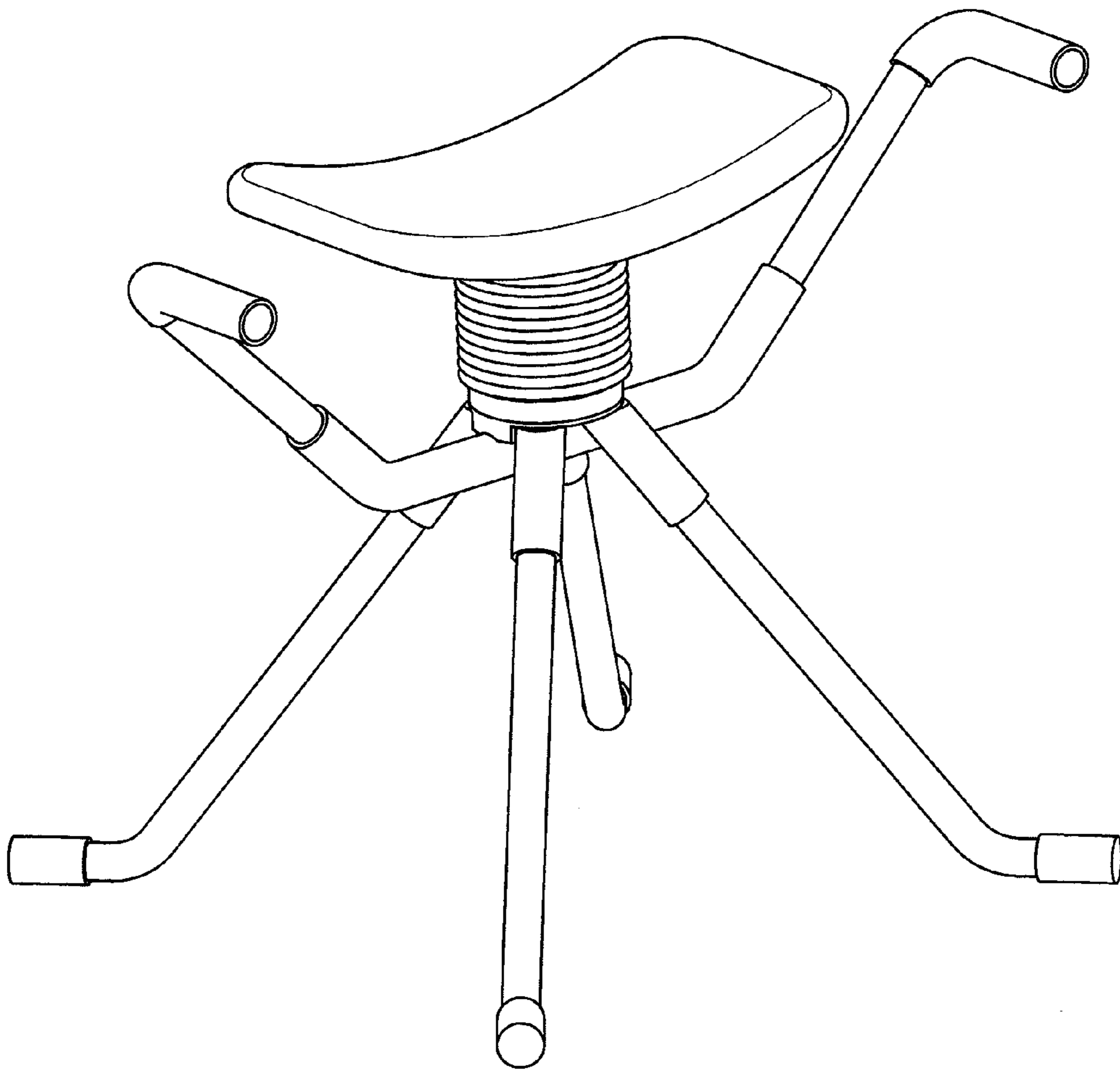


FIG. 1

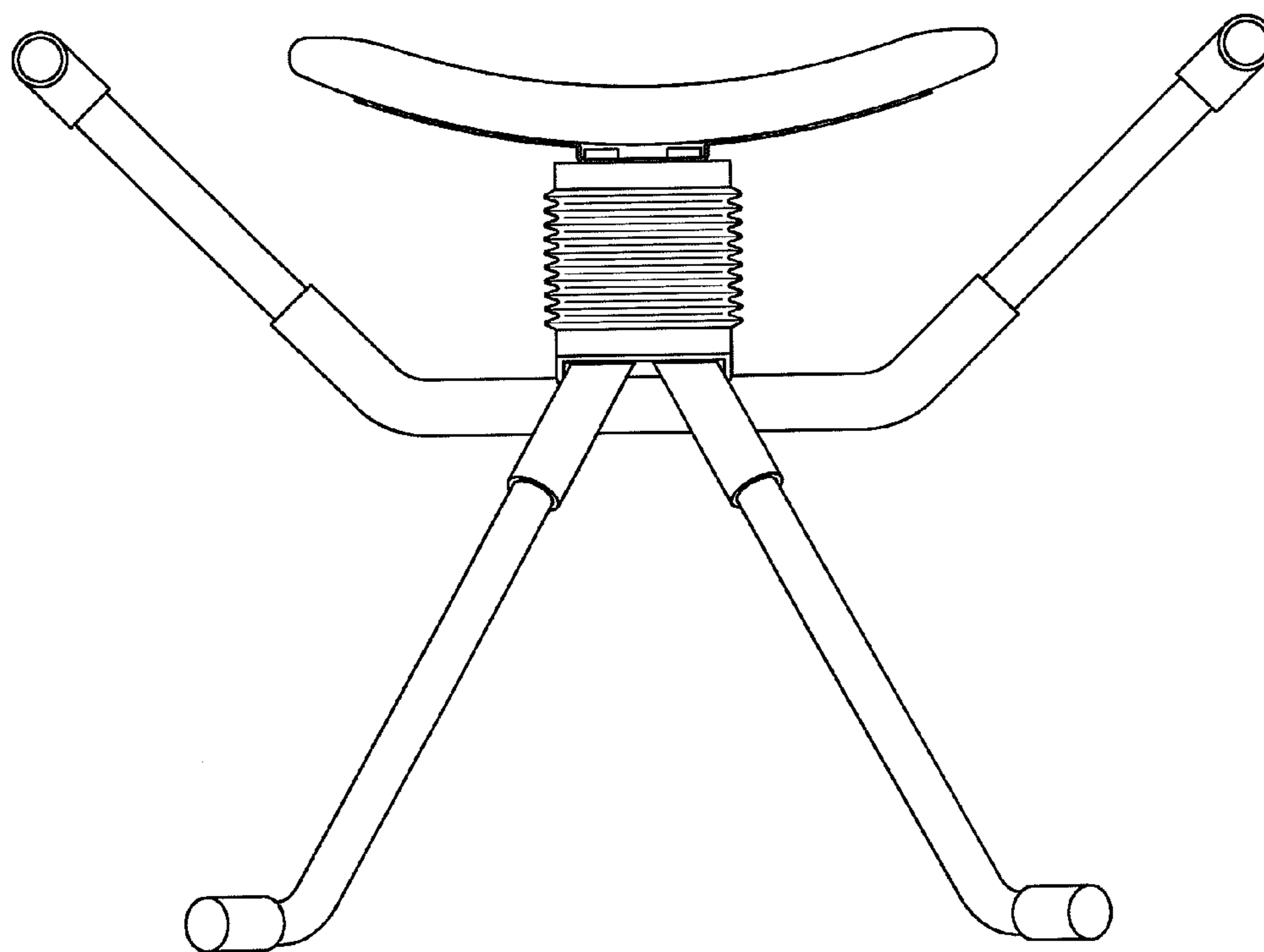


FIG. 2

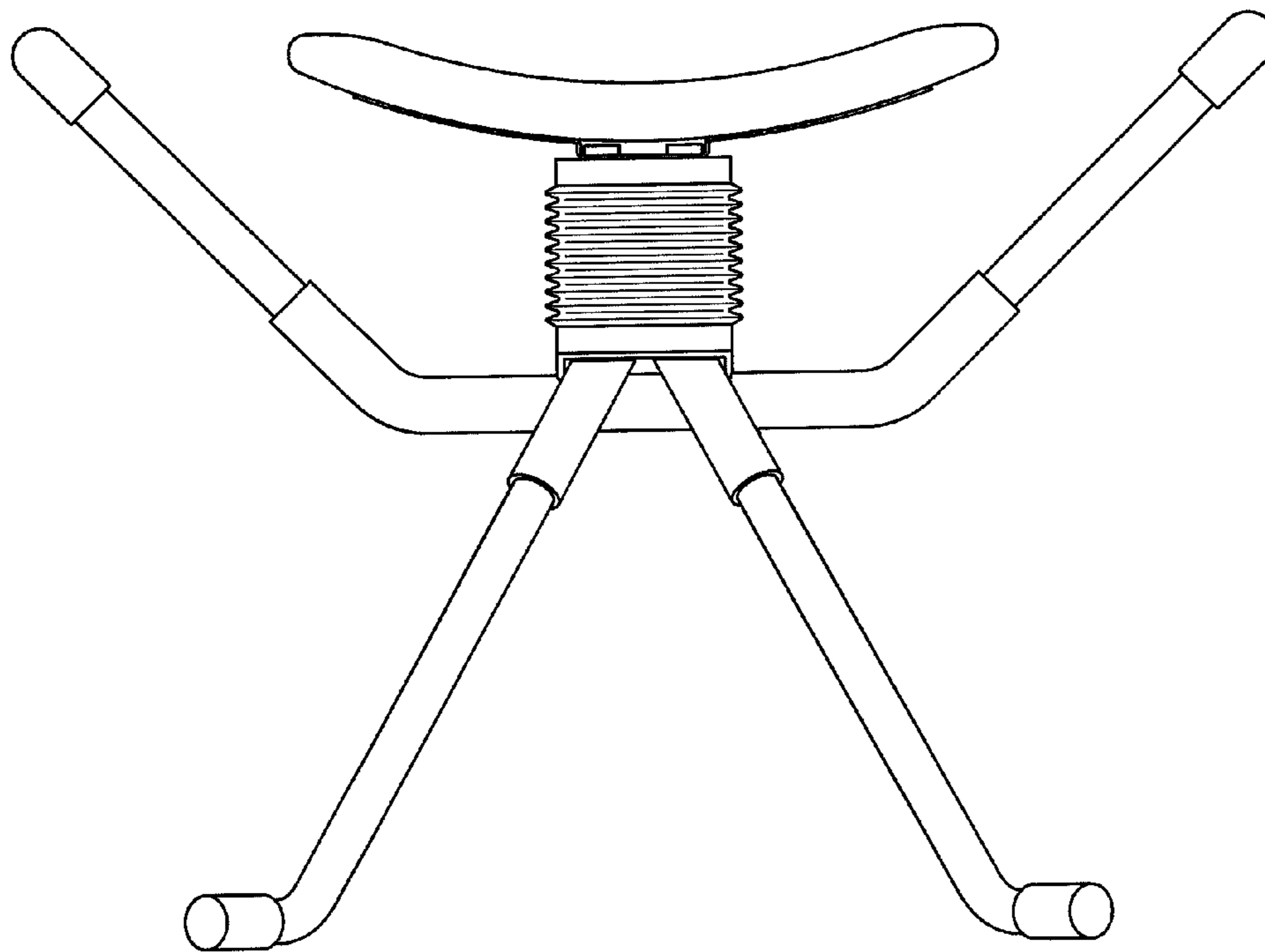


FIG. 3

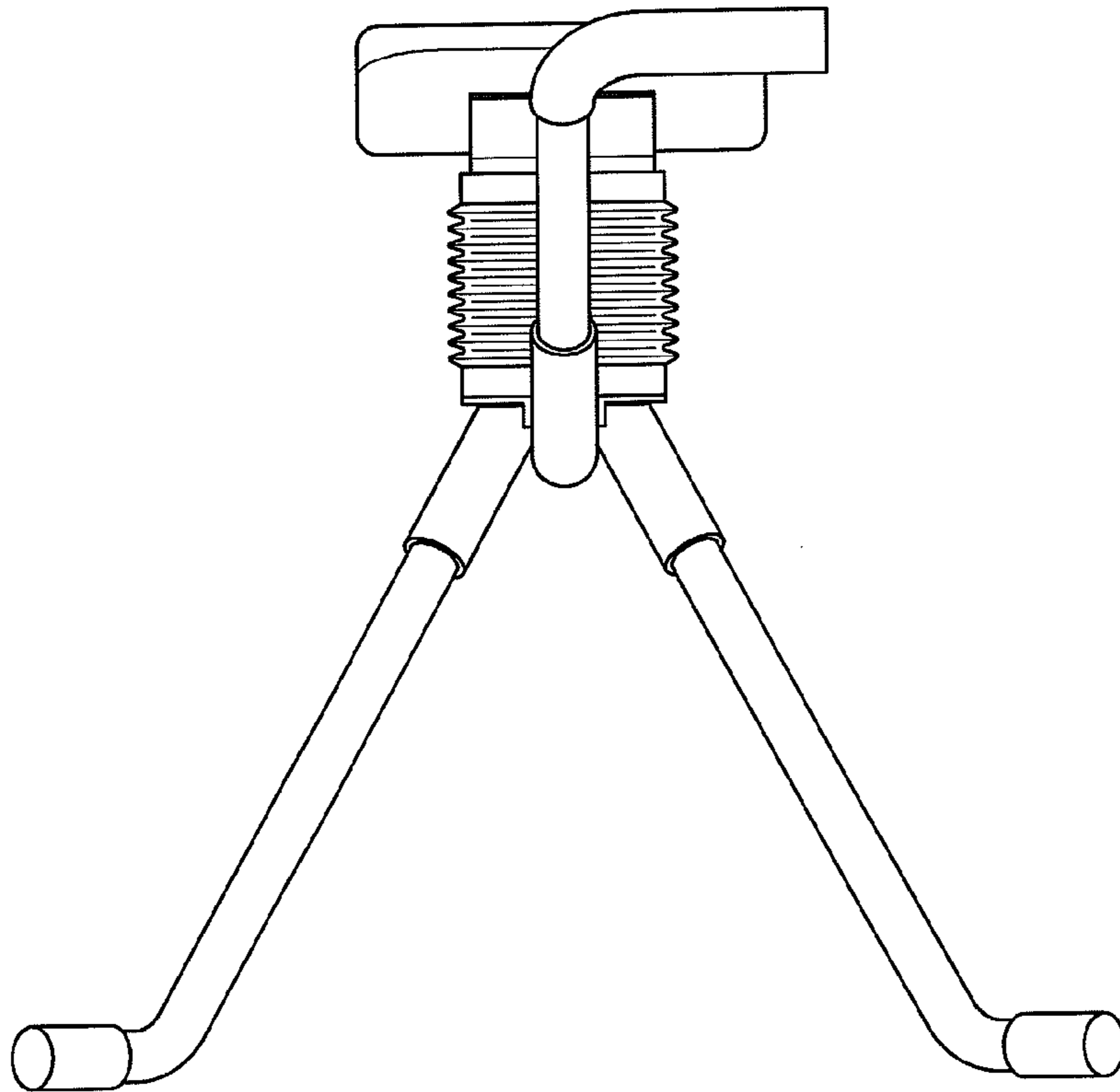


FIG. 4

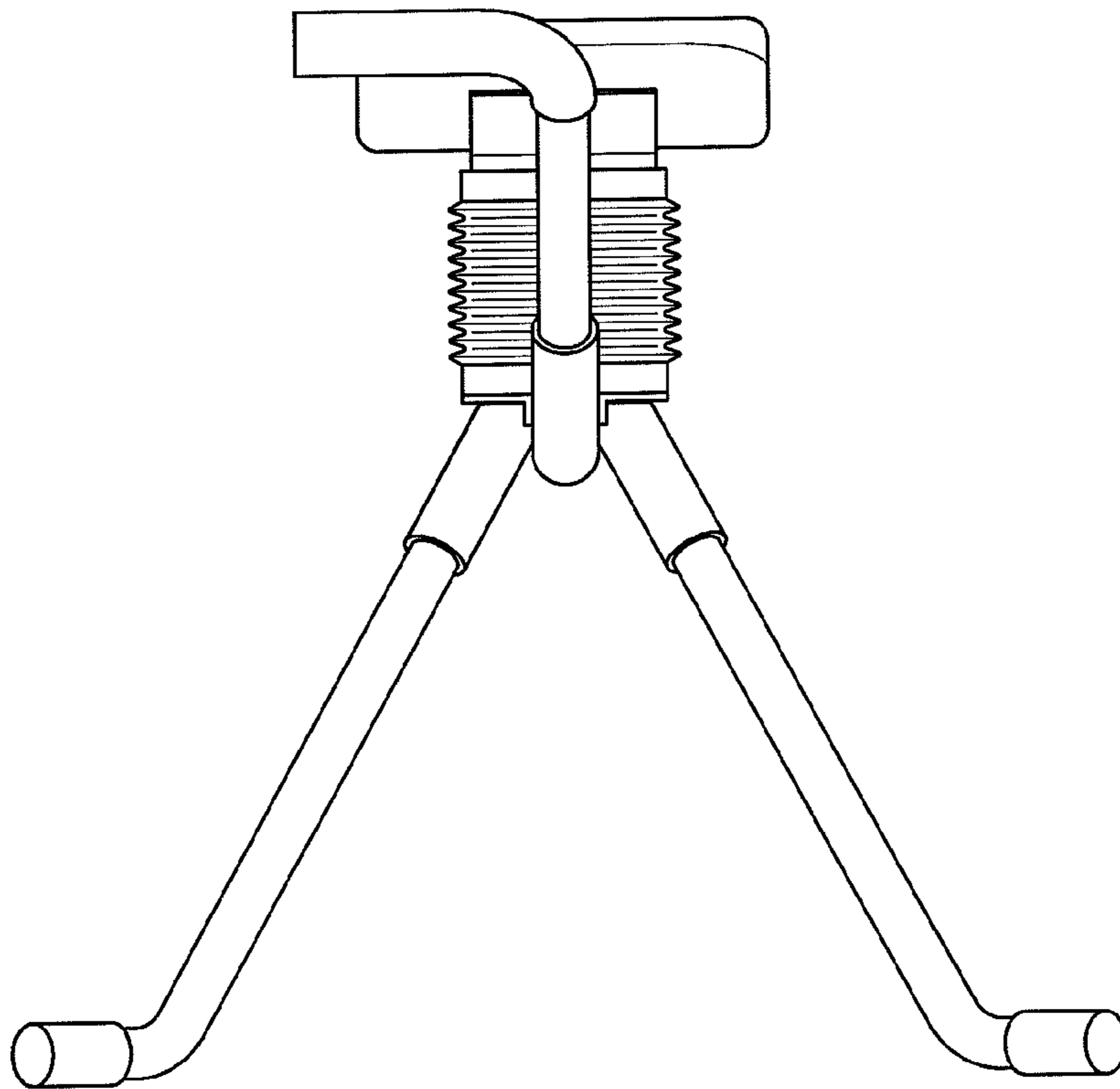


FIG. 5

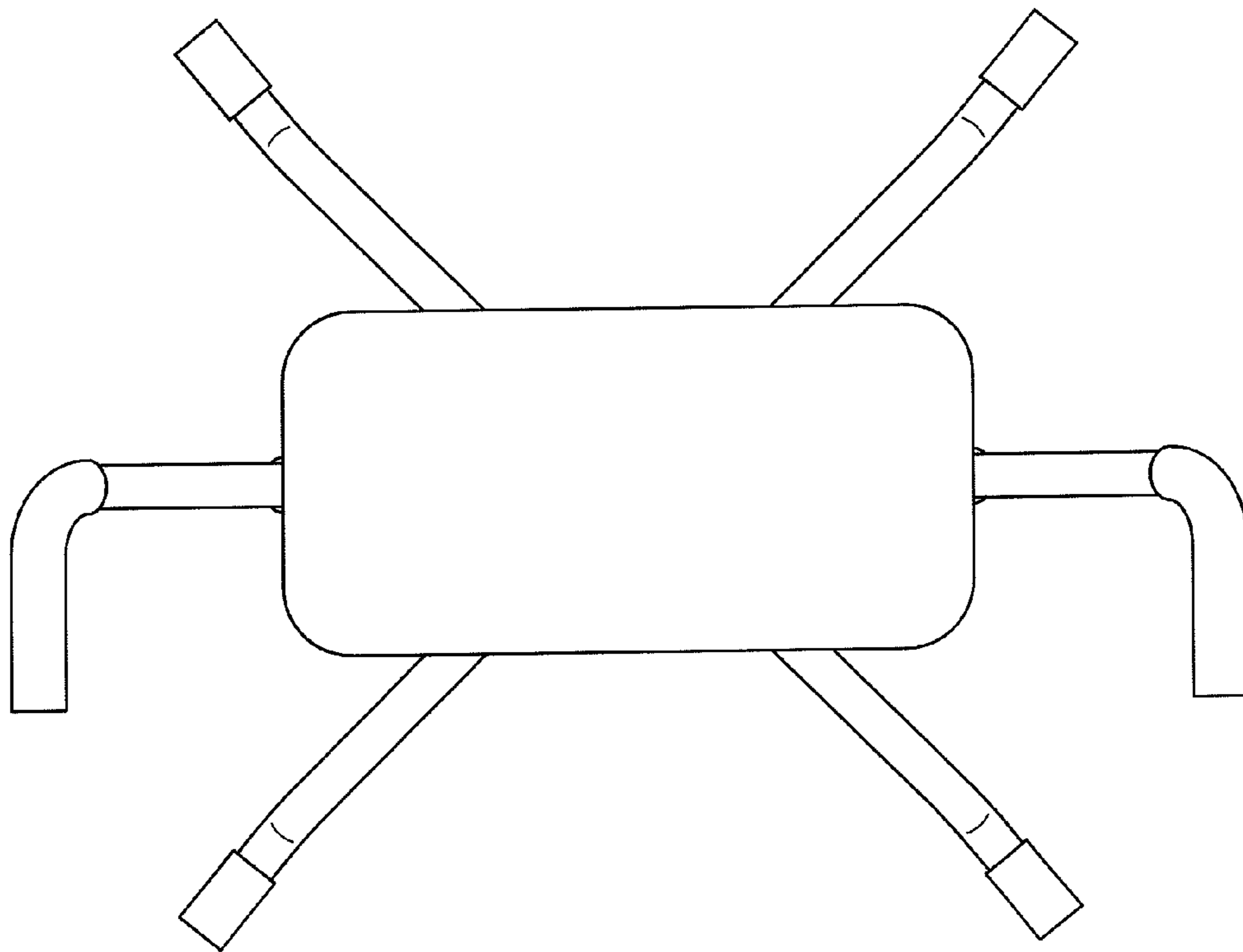


FIG. 6

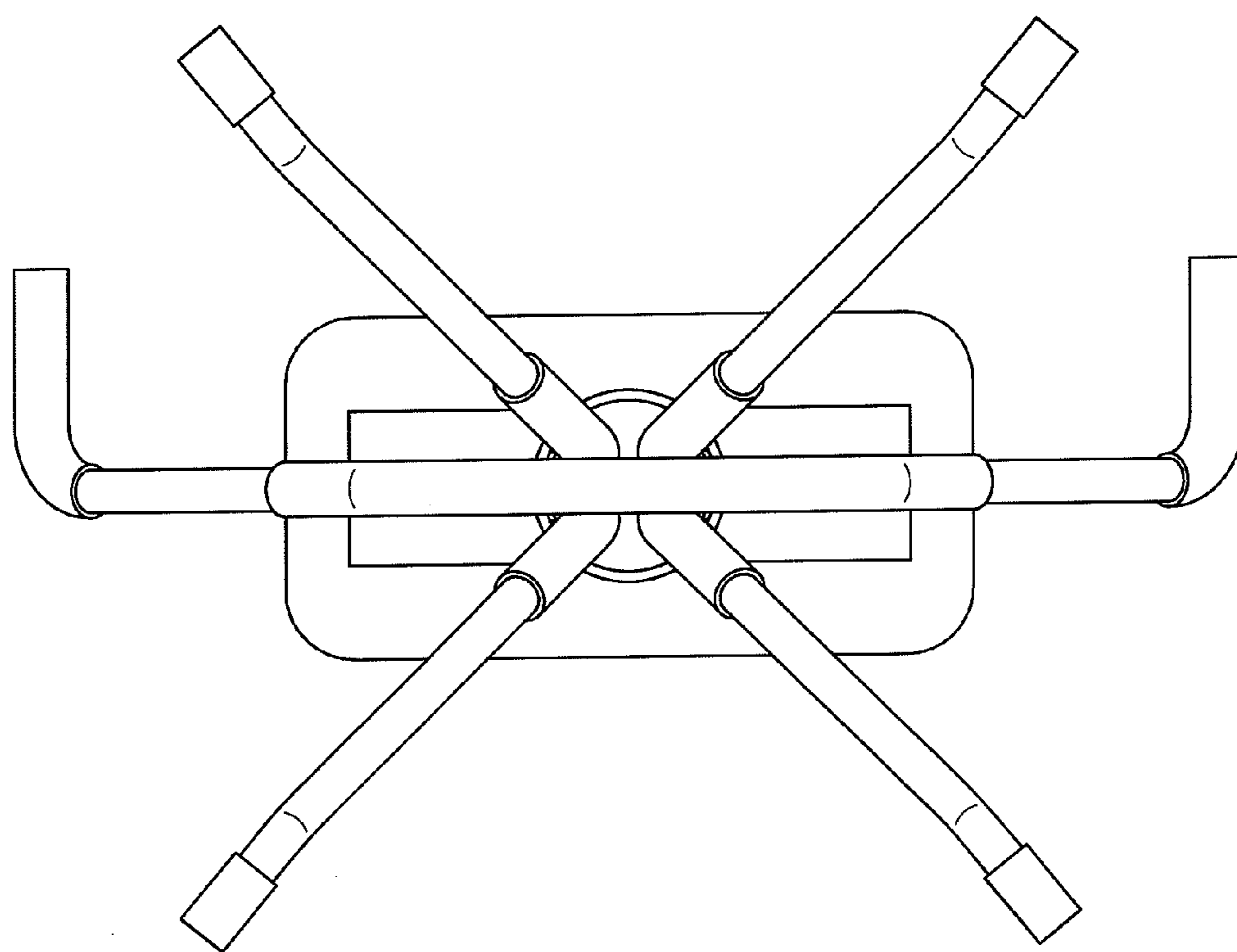


FIG. 7