



US00D681136S

(12) **United States Design Patent**
Liu

(10) **Patent No.:** **US D681,136 S**

(45) **Date of Patent:** **** Apr. 30, 2013**

(54) **FOOT PEDAL**

(75) Inventor: **I-Hsin Liu**, Changhua (TW)

(73) Assignees: **I-Hsin Liu**, Changhua (TW); **Smart Plan International Co., Ltd**, Changhua (TW)

(**) Term: **14 Years**

(21) Appl. No.: **29/418,517**

(22) Filed: **Apr. 17, 2012**

(51) **LOC (9) Cl.** **21-02**

(52) **U.S. Cl.**
USPC **D21/663**

(58) **Field of Classification Search** D21/662-667,
D21/694, 697; 482/5, 6, 57-63, 903; 280/274,
280/275, 277, 281.1, 283, 288.2, 288.3; D12/111
See application file for complete search history.

(56) **References Cited**

U.S. PATENT DOCUMENTS

3,259,385	A *	7/1966	Boren	482/60
D219,663	S *	1/1971	Thompson	D21/663
3,622,153	A *	11/1971	Thompson	482/60
4,390,177	A *	6/1983	Biran et al.	482/60
D281,710	S *	12/1985	Kirby	D21/663
D282,478	S *	2/1986	Williams	D21/663
D372,283	S *	7/1996	Chen	D21/663

D373,395	S *	9/1996	Chen	D21/663
5,647,822	A *	7/1997	Avganim	482/60
D460,988	S *	7/2002	Forvilly et al.	D21/663
7,160,231	B2 *	1/2007	Kazemi	482/60
7,618,354	B2 *	11/2009	Wu	482/60
D636,826	S *	4/2011	Chan	D21/663
2003/0144115	A1 *	7/2003	Duvernay et al.	482/79
2005/0282687	A1 *	12/2005	Kazemi	482/57

* cited by examiner

Primary Examiner — Susan E Krakower

(74) *Attorney, Agent, or Firm* — Che-Yang Chen; Law Office of Michael Chen

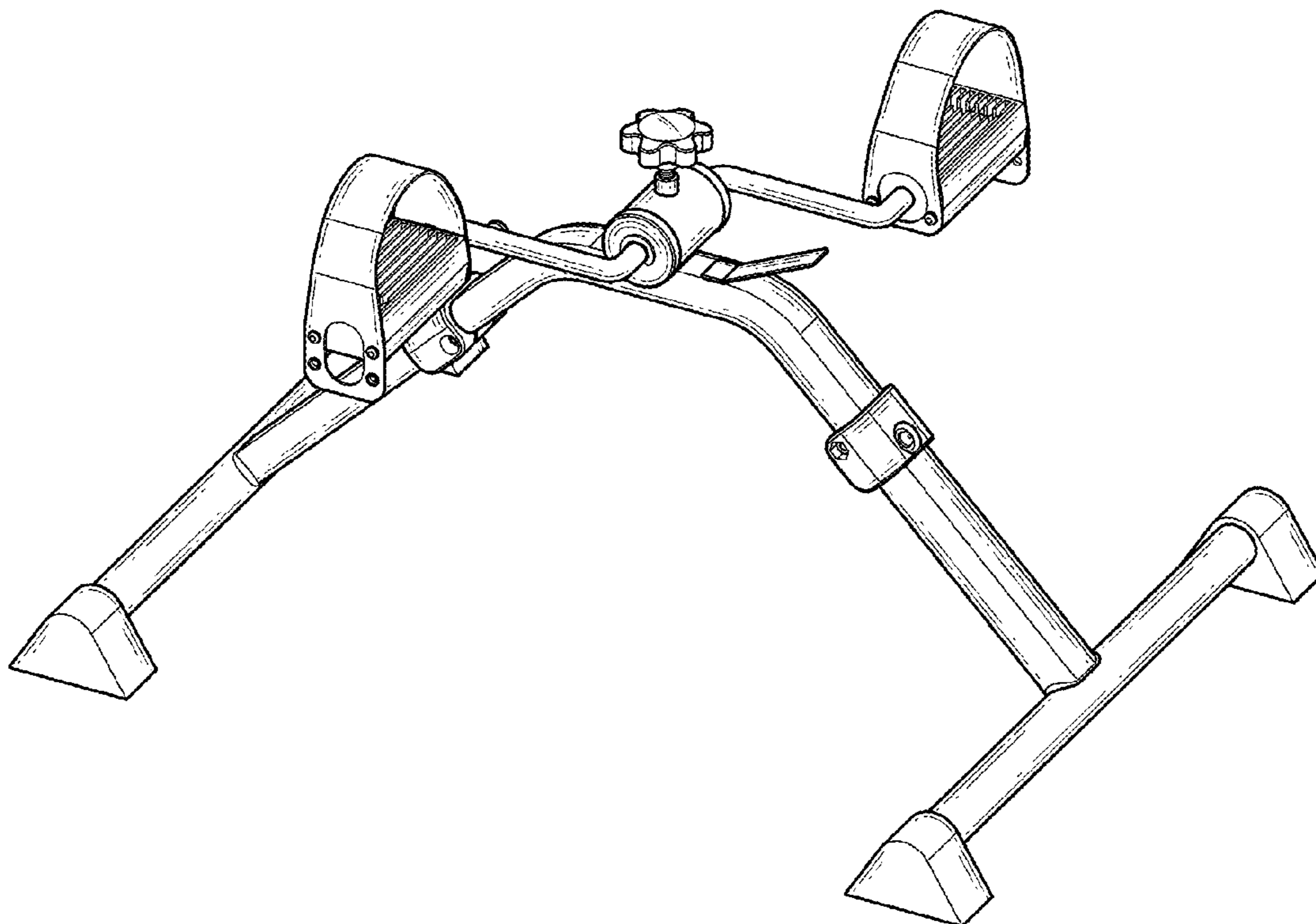
(57) **CLAIM**

The ornamental design for a foot pedal, as shown and described.

DESCRIPTION

FIG. 1 is a perspective view of a foot pedal showing my new design;
FIG. 2 is a front elevational view thereof;
FIG. 3 is a rear elevational view thereof;
FIG. 4 is a left side elevational view thereof;
FIG. 5 is a right side elevational view thereof;
FIG. 6 is a top plan view thereof;
FIG. 7 is a bottom plan view thereof; and,
FIG. 8 is a second perspective view thereof.
The broken lines in FIG. 8 illustrate environmental structure and form no part of the claimed design.

1 Claim, 5 Drawing Sheets



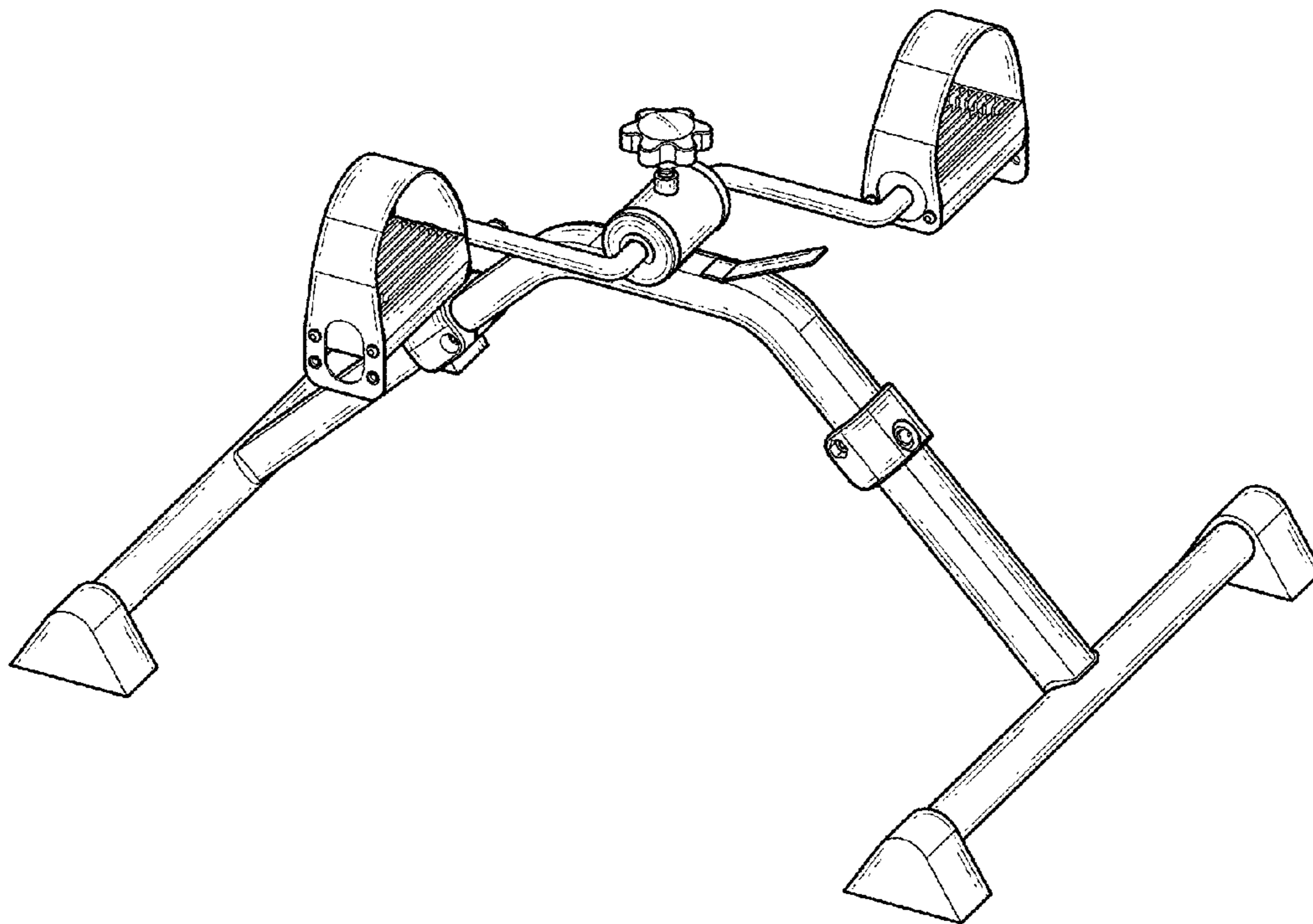


FIG. 1

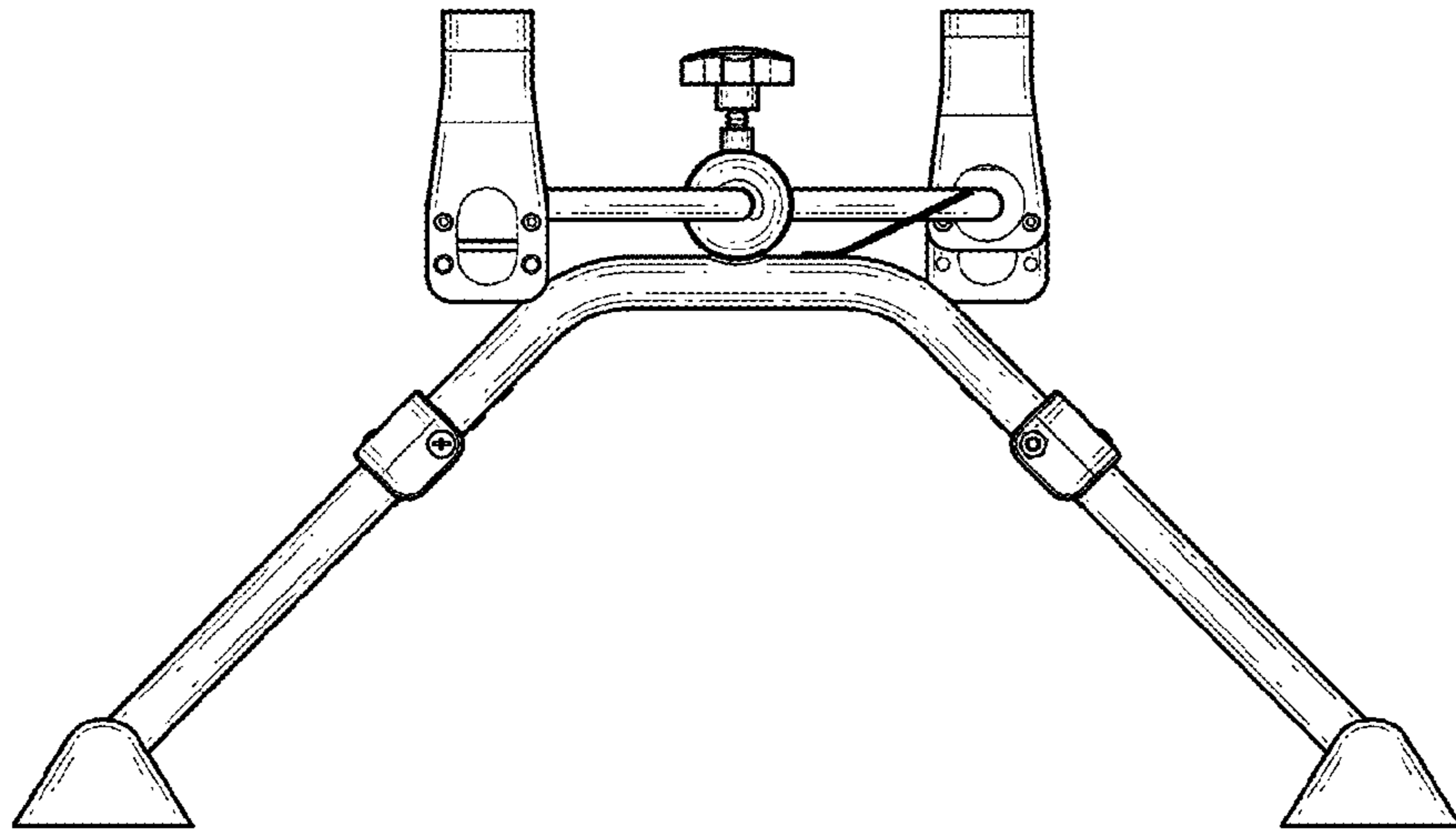


FIG. 2

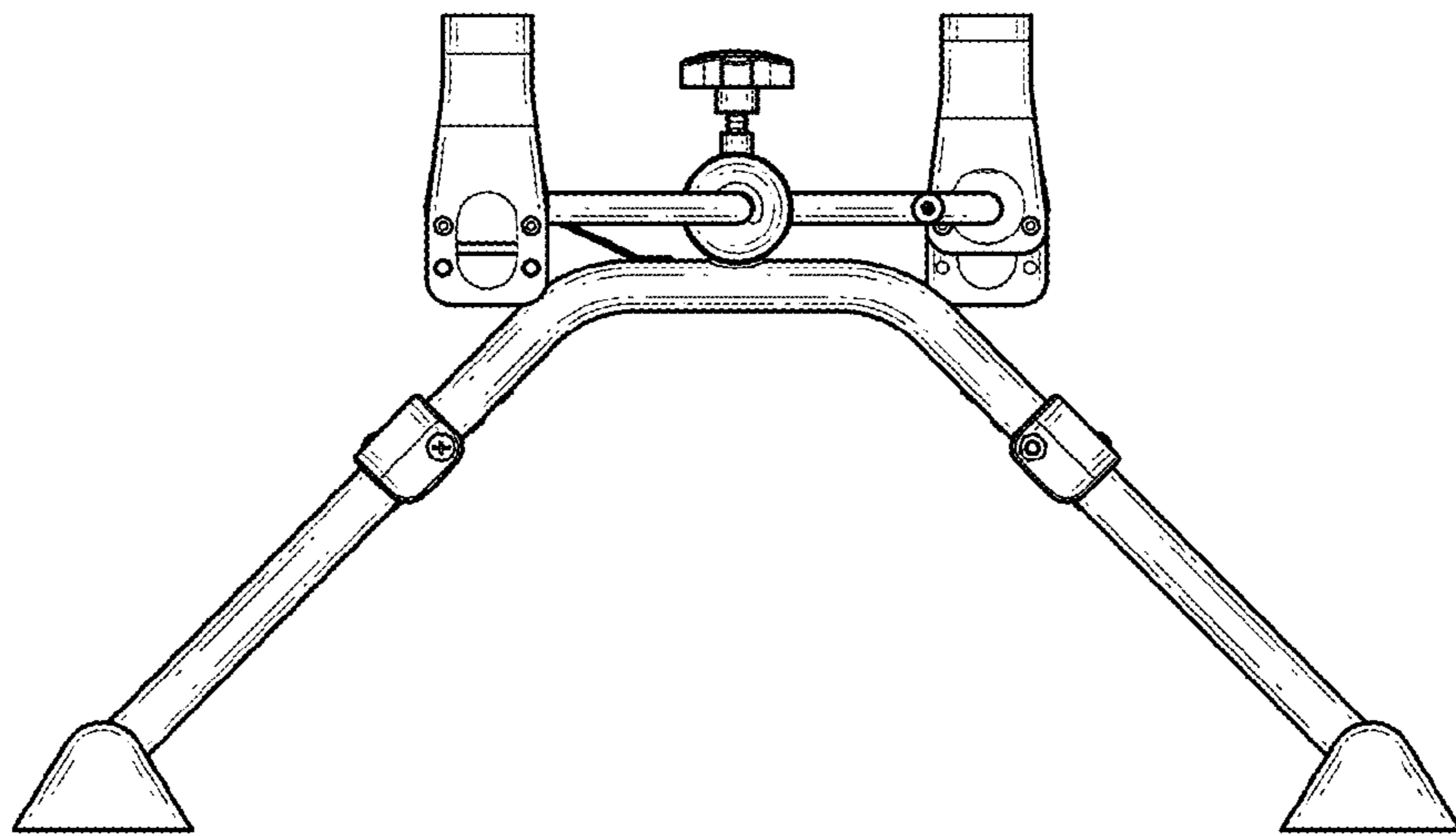


FIG. 3

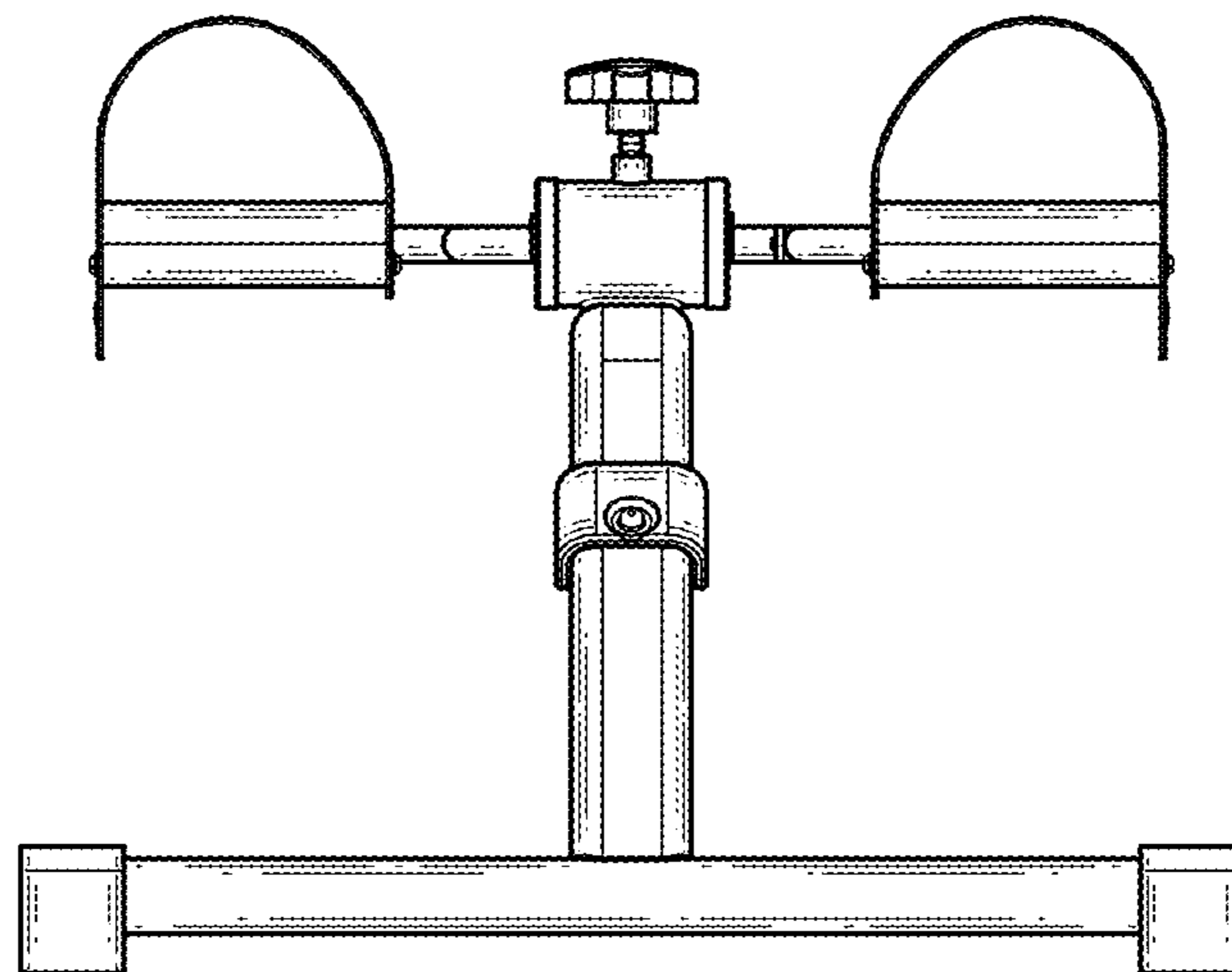


FIG. 4

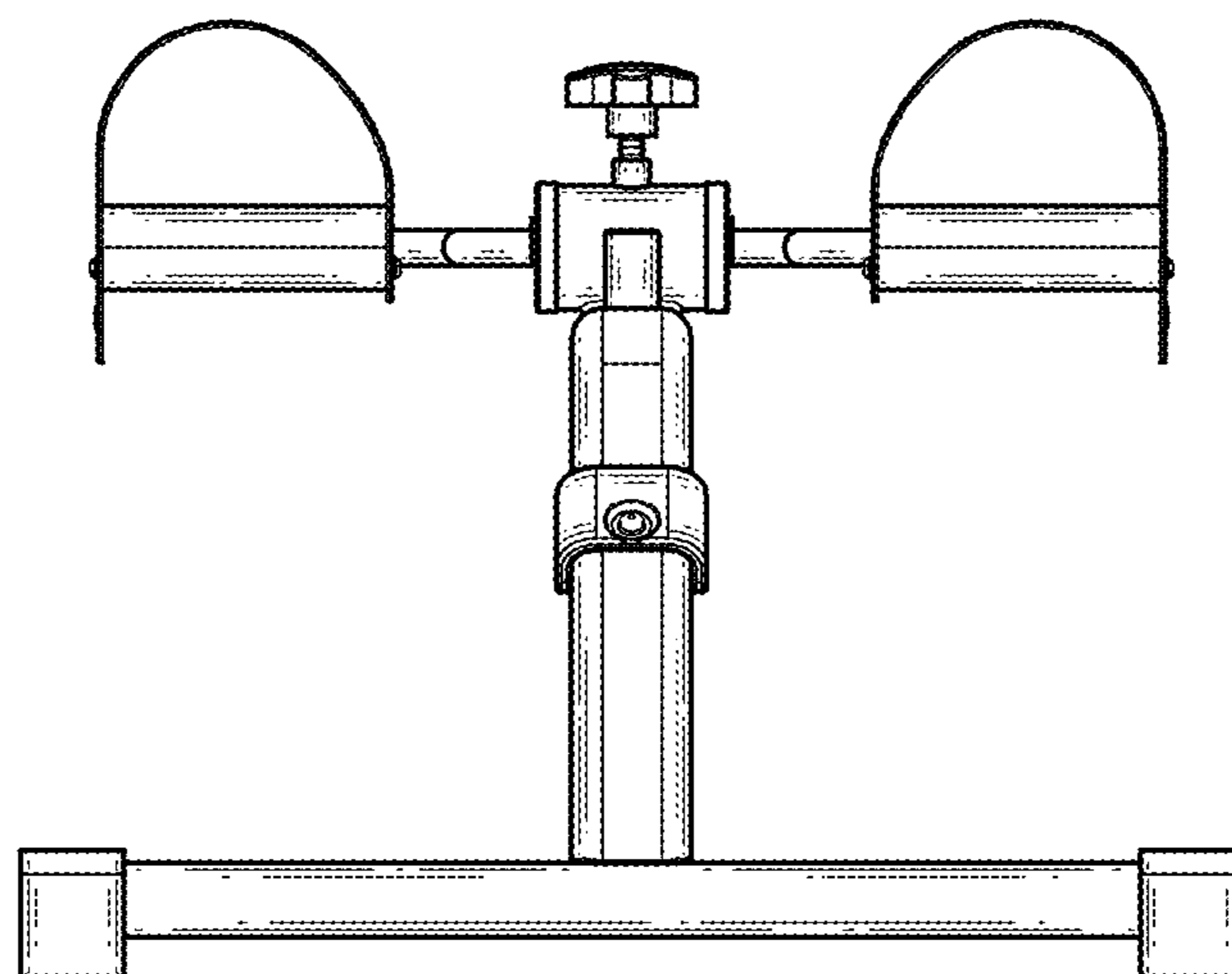


FIG. 5

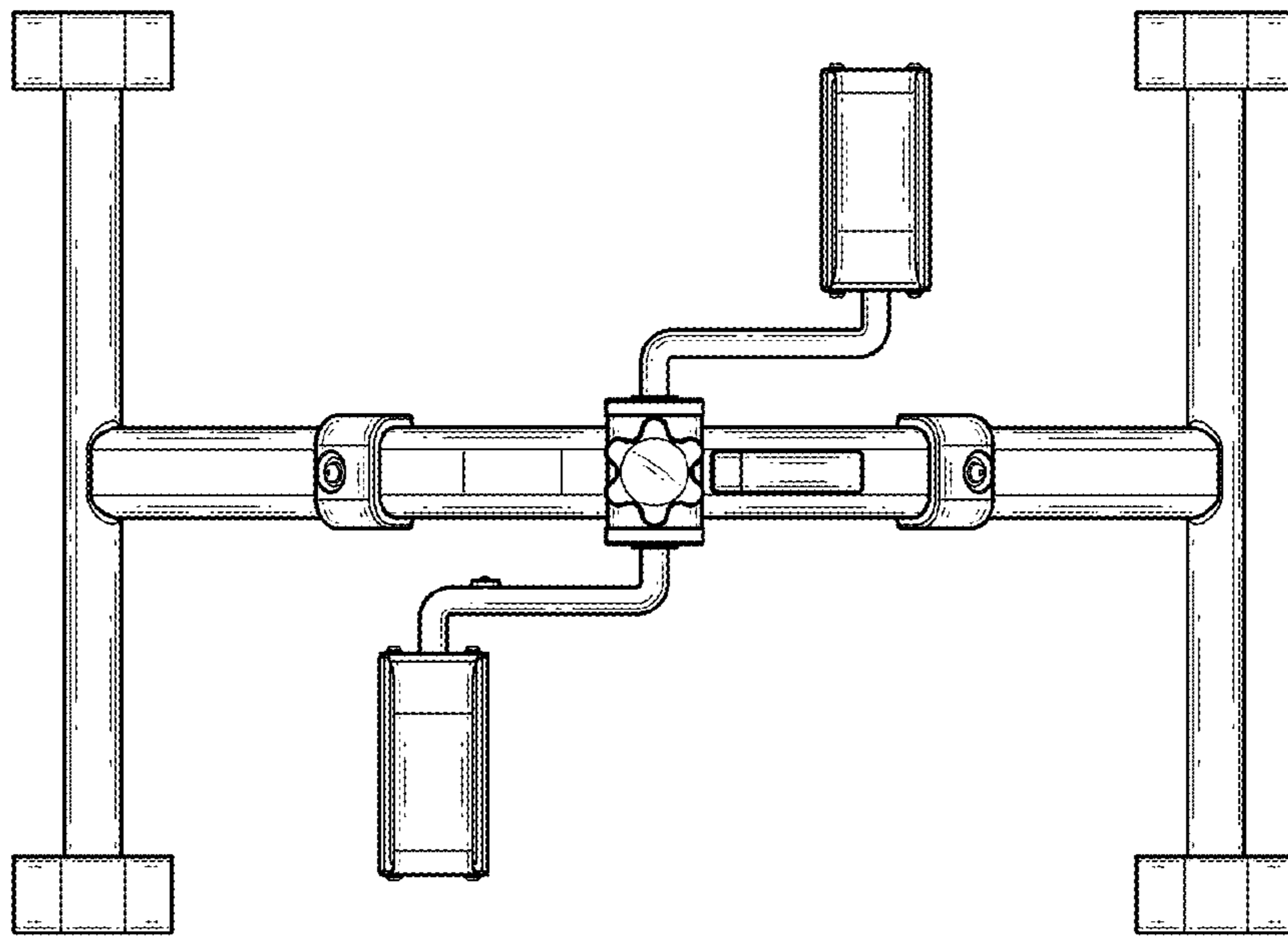


FIG. 6

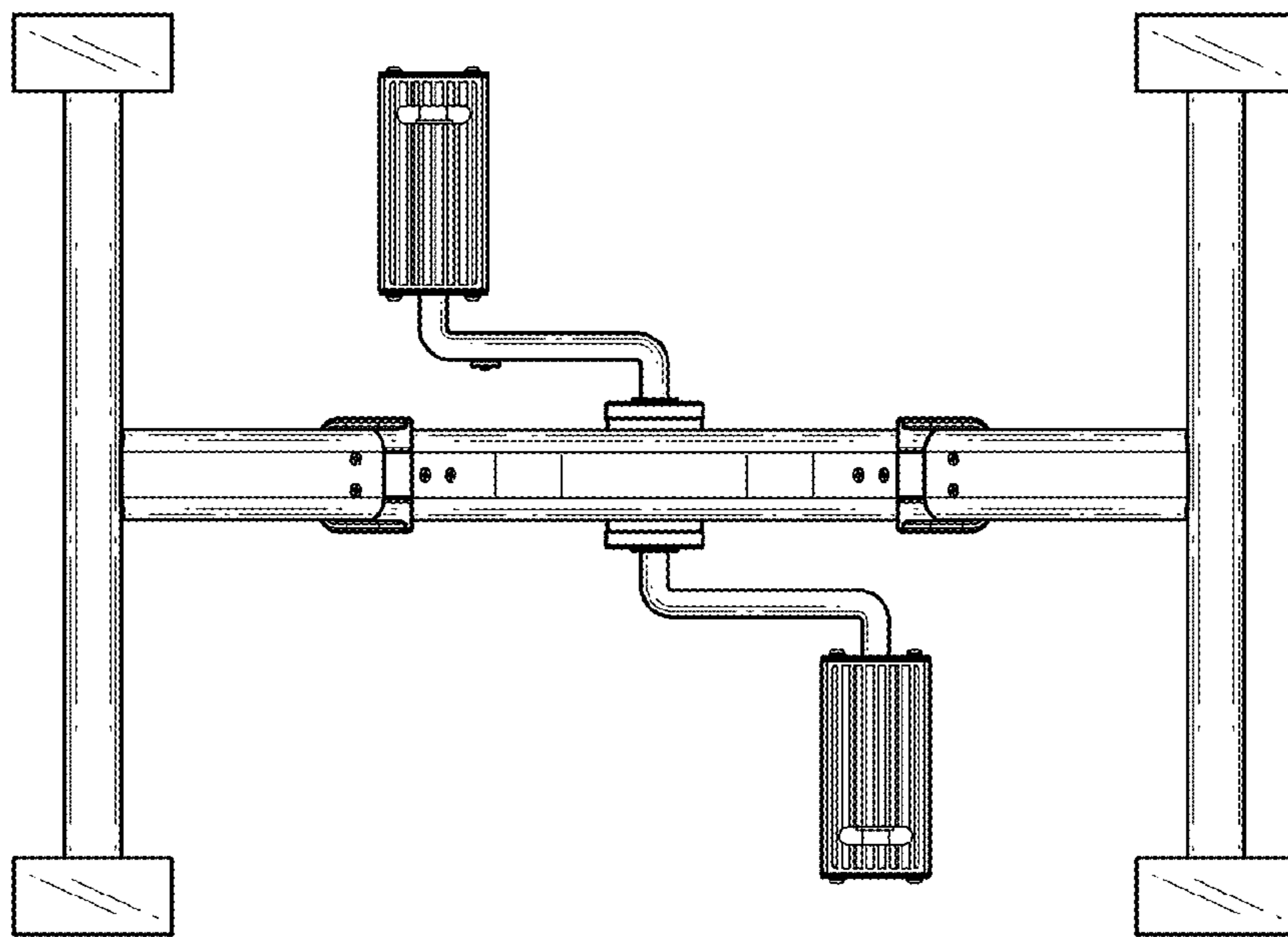


FIG. 7

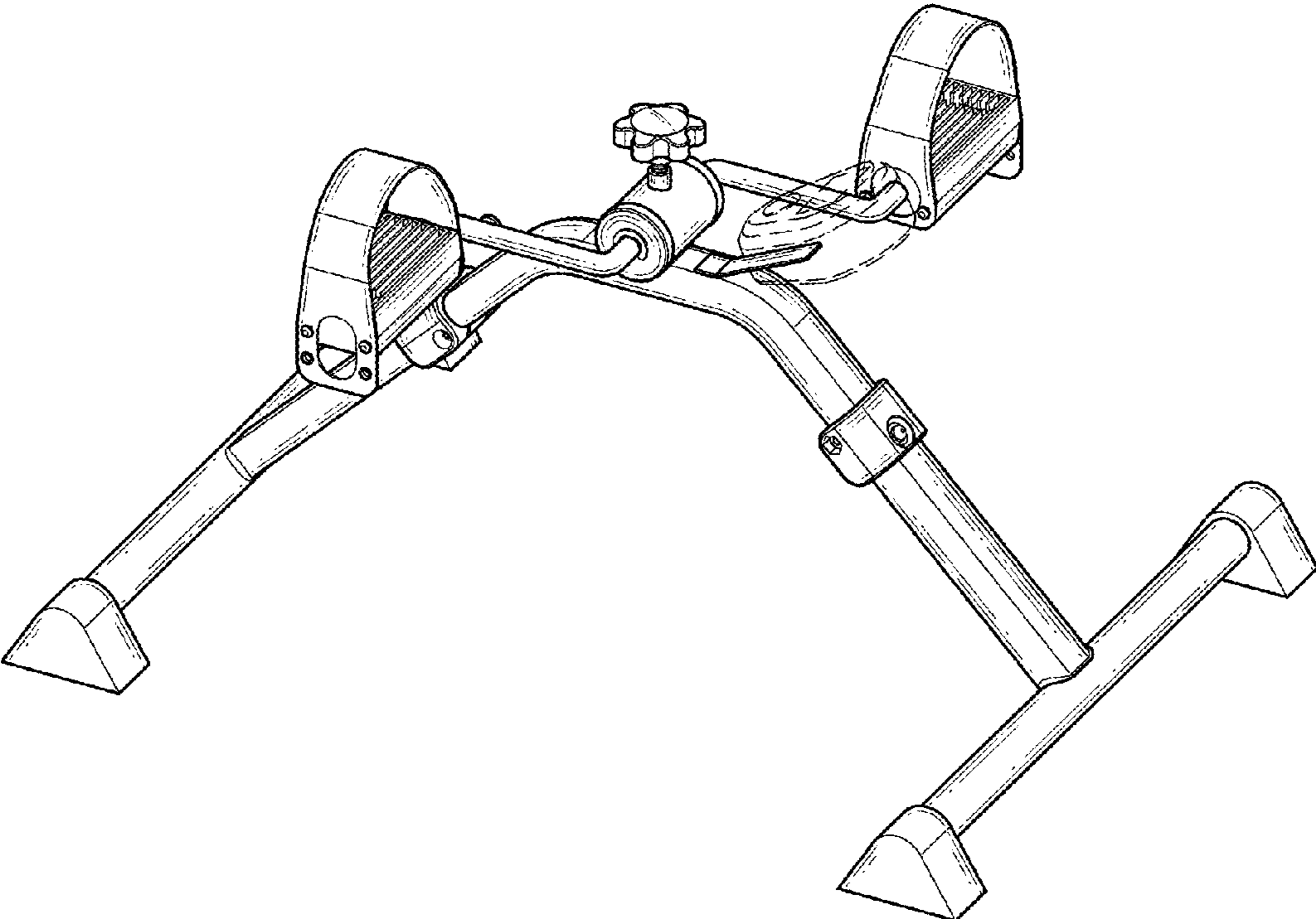


FIG. 8