



US00D681134S

(12) **United States Design Patent**
Lee

(10) **Patent No.:** **US D681,134 S**
(45) **Date of Patent:** **** Apr. 30, 2013**

(54) **SOLAR ROBOT**

(71) Applicant: **Wen-Hsien Lee**, New Taipei (TW)

(72) Inventor: **Wen-Hsien Lee**, New Taipei (TW)

(**) Term: **14 Years**

(21) Appl. No.: **29/435,214**

(22) Filed: **Oct. 22, 2012**

(51) **LOC (9) Cl.** **21-01**

(52) **U.S. Cl.**
USPC **D21/578**; D15/199

(58) **Field of Classification Search** D21/578–583,
D21/621, 622; 446/268–274, 279, 280, 285,
446/289–292, 294, 297–303, 353–355, 376–384;
D15/199; 318/568.11, 568.12, 568.2
See application file for complete search history.

(56) **References Cited**

U.S. PATENT DOCUMENTS

D579,035 S * 10/2008 Kim et al. D15/199
D622,786 S * 8/2010 Lee D21/578
D645,523 S * 9/2011 Wong D21/578

D647,148 S * 10/2011 Wong D21/578
D647,149 S * 10/2011 Wong D21/578
D663,333 S * 7/2012 Kitano et al. D15/199

* cited by examiner

Primary Examiner — Zenia Bennett

(74) *Attorney, Agent, or Firm* — Alan Kamrath; Kamrath IP Lawfirm, P.A.

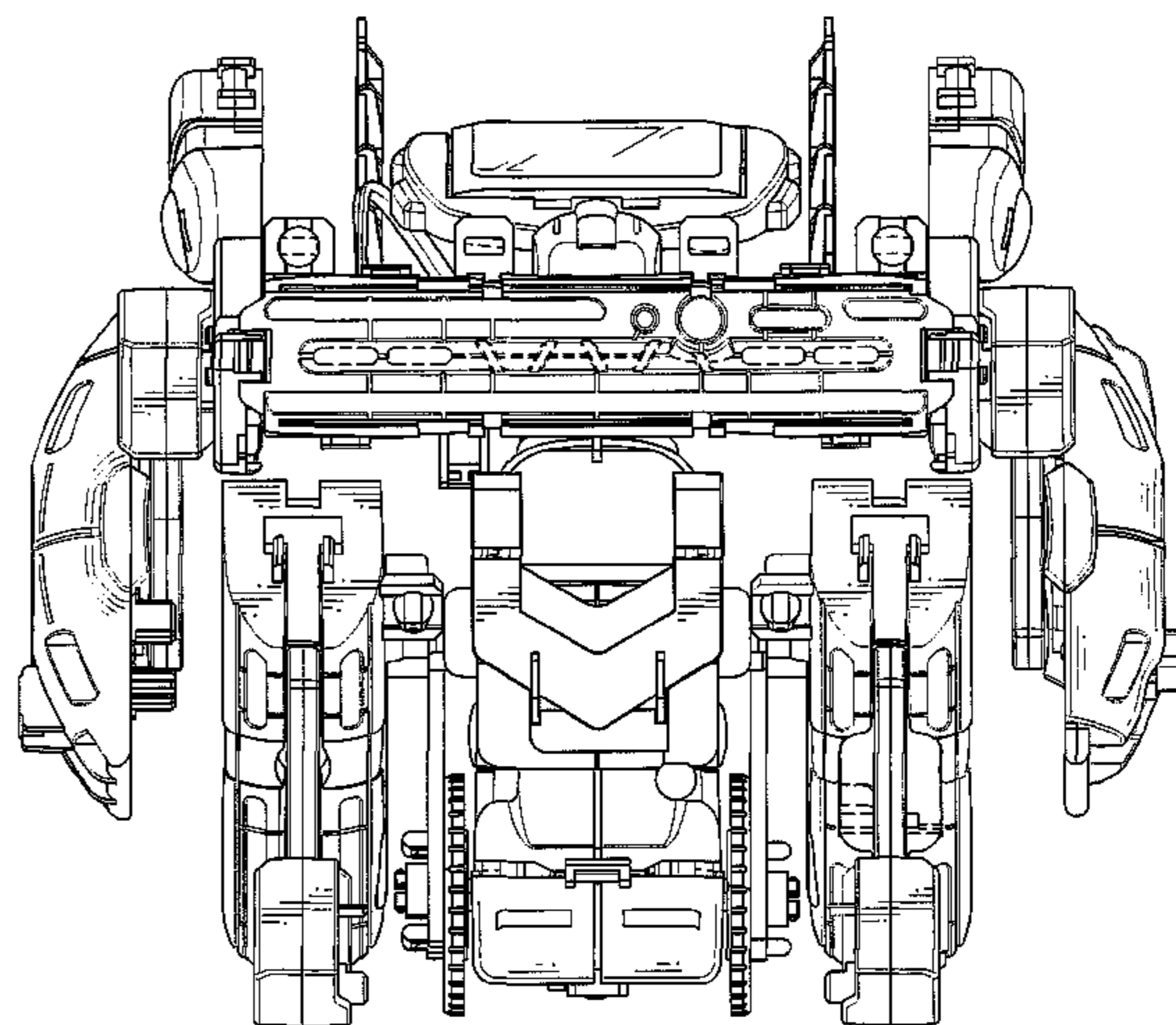
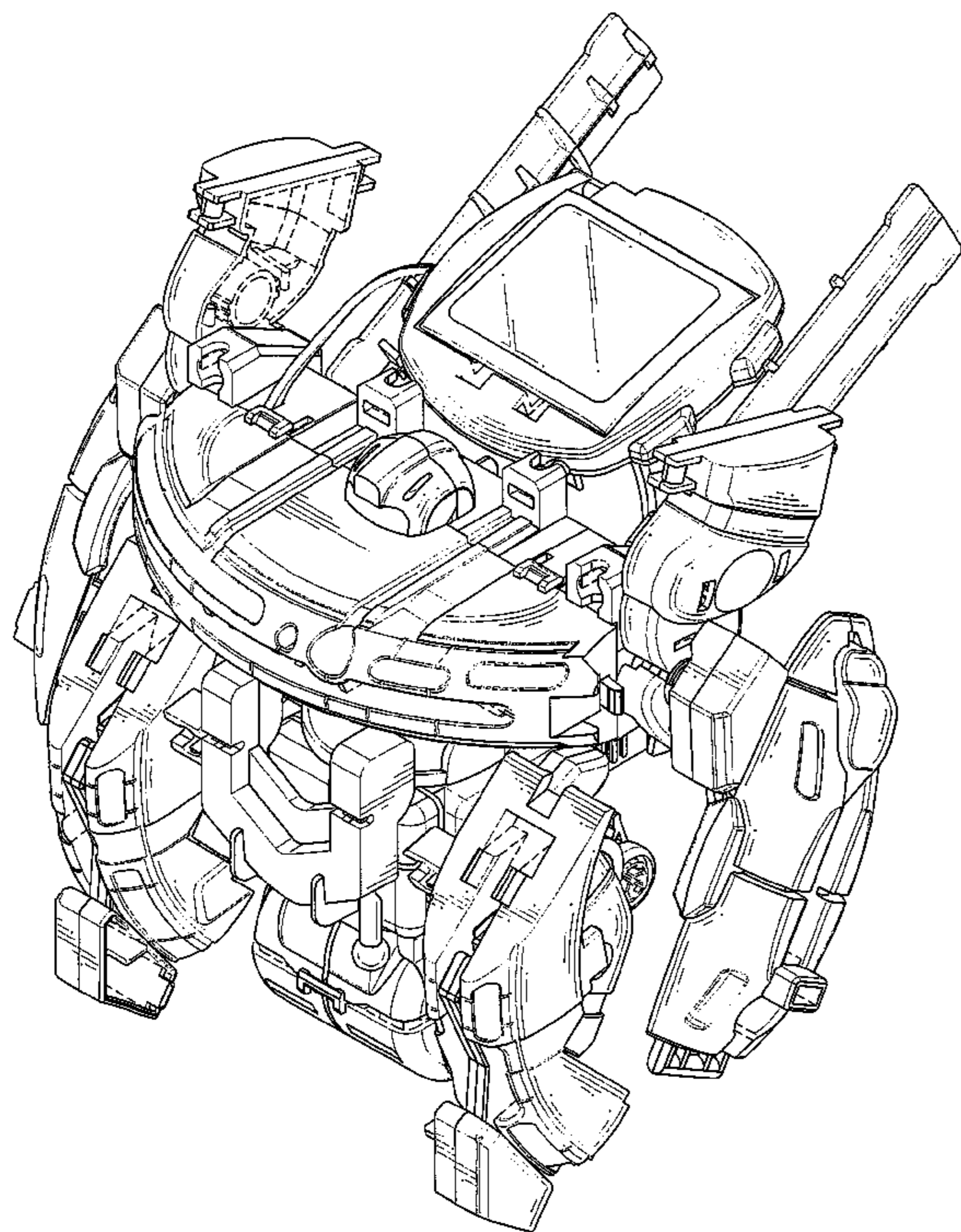
(57) **CLAIM**

The ornamental design for a solar robot, as shown and described.

DESCRIPTION

FIG. 1 is a perspective view of a solar robot showing my new design;
FIG. 2 is a front view thereof;
FIG. 3 is a rear view thereof;
FIG. 4 is a left view thereof;
FIG. 5 is a right view thereof;
FIG. 6 is a top view thereof;
FIG. 7 is a bottom view thereof; and,
FIG. 8 is another perspective view thereof.
The broken lines are shown for illustrative purposes only and form no part of the claimed design.

1 Claim, 8 Drawing Sheets



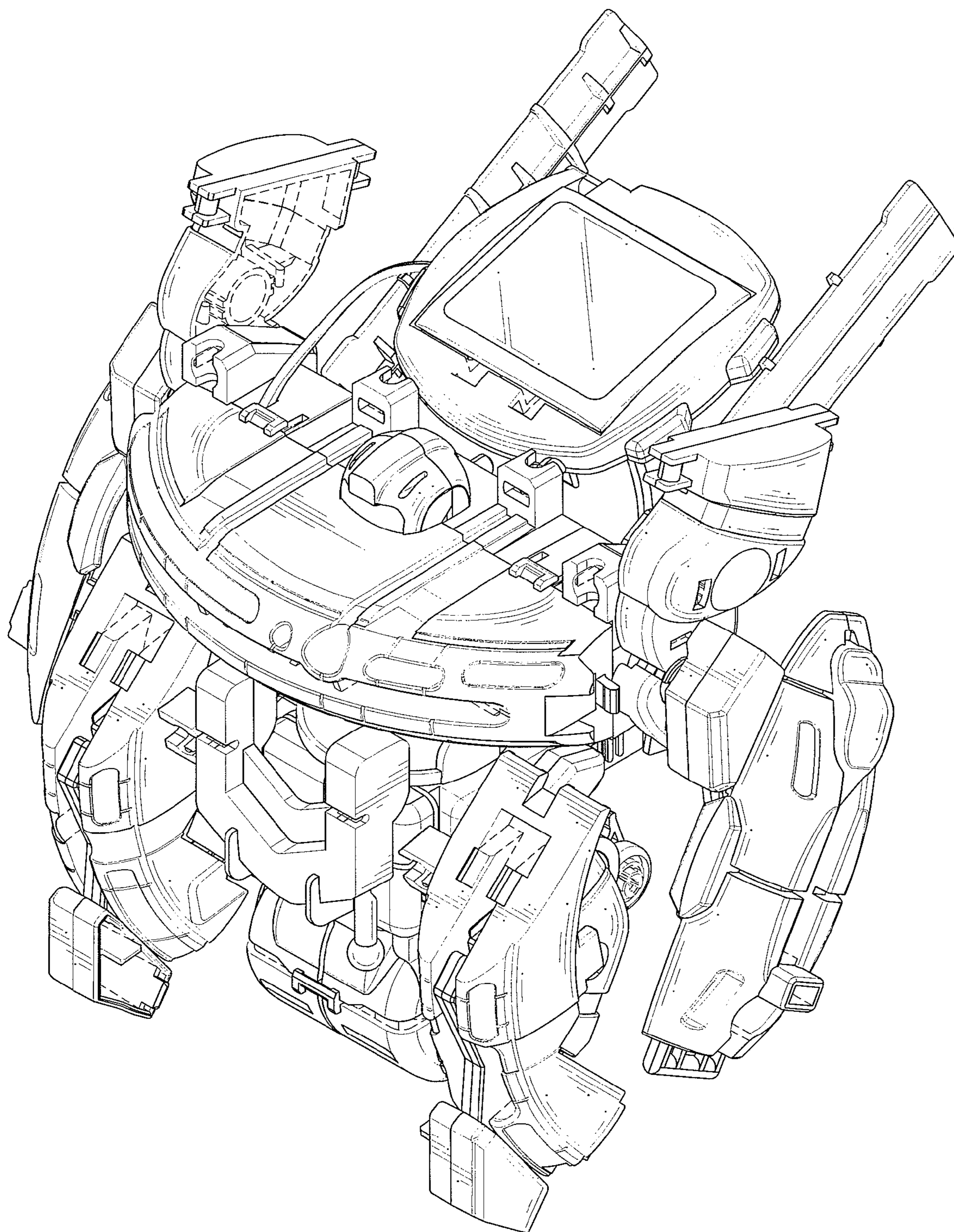


FIG.1

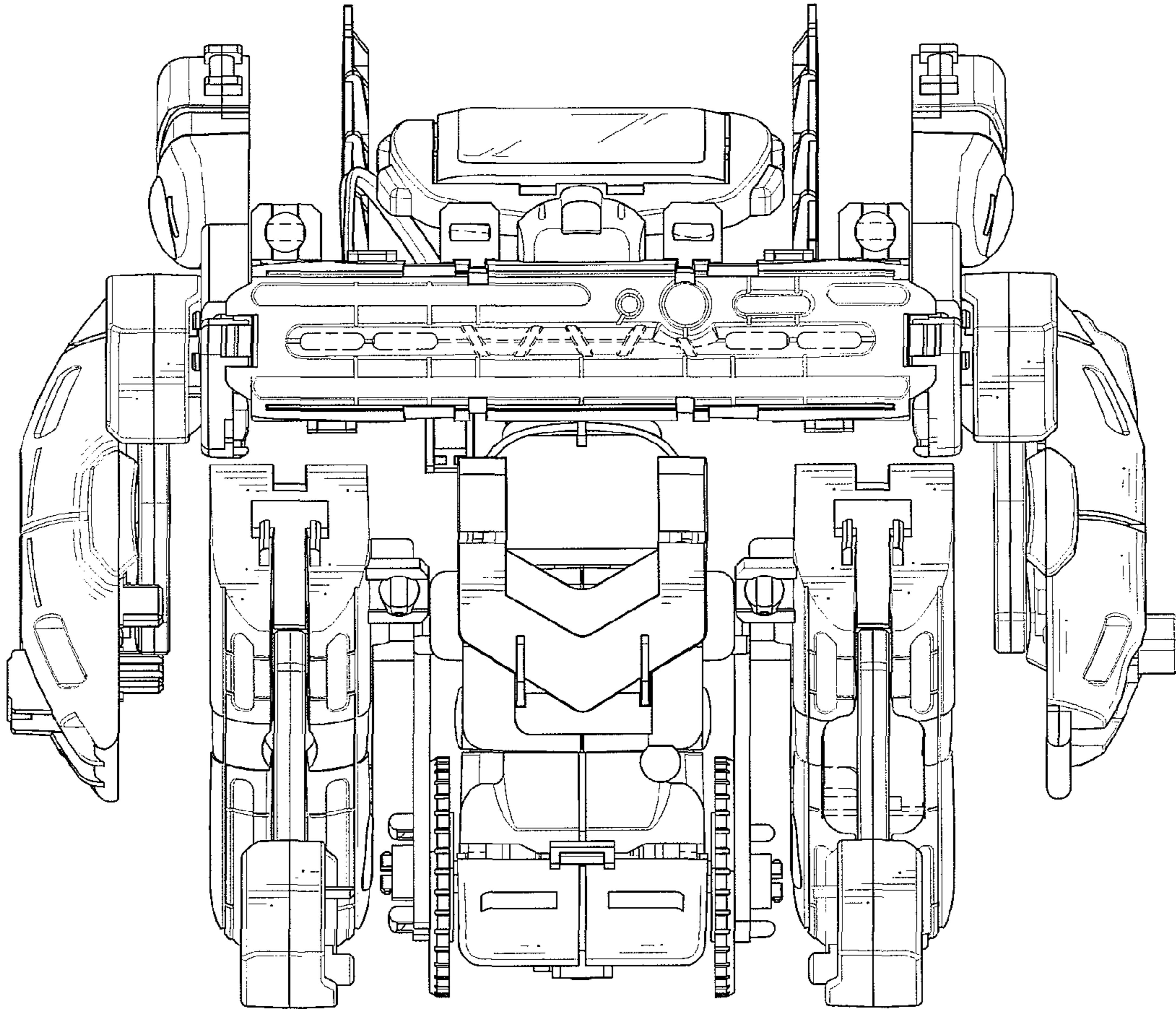


FIG.2

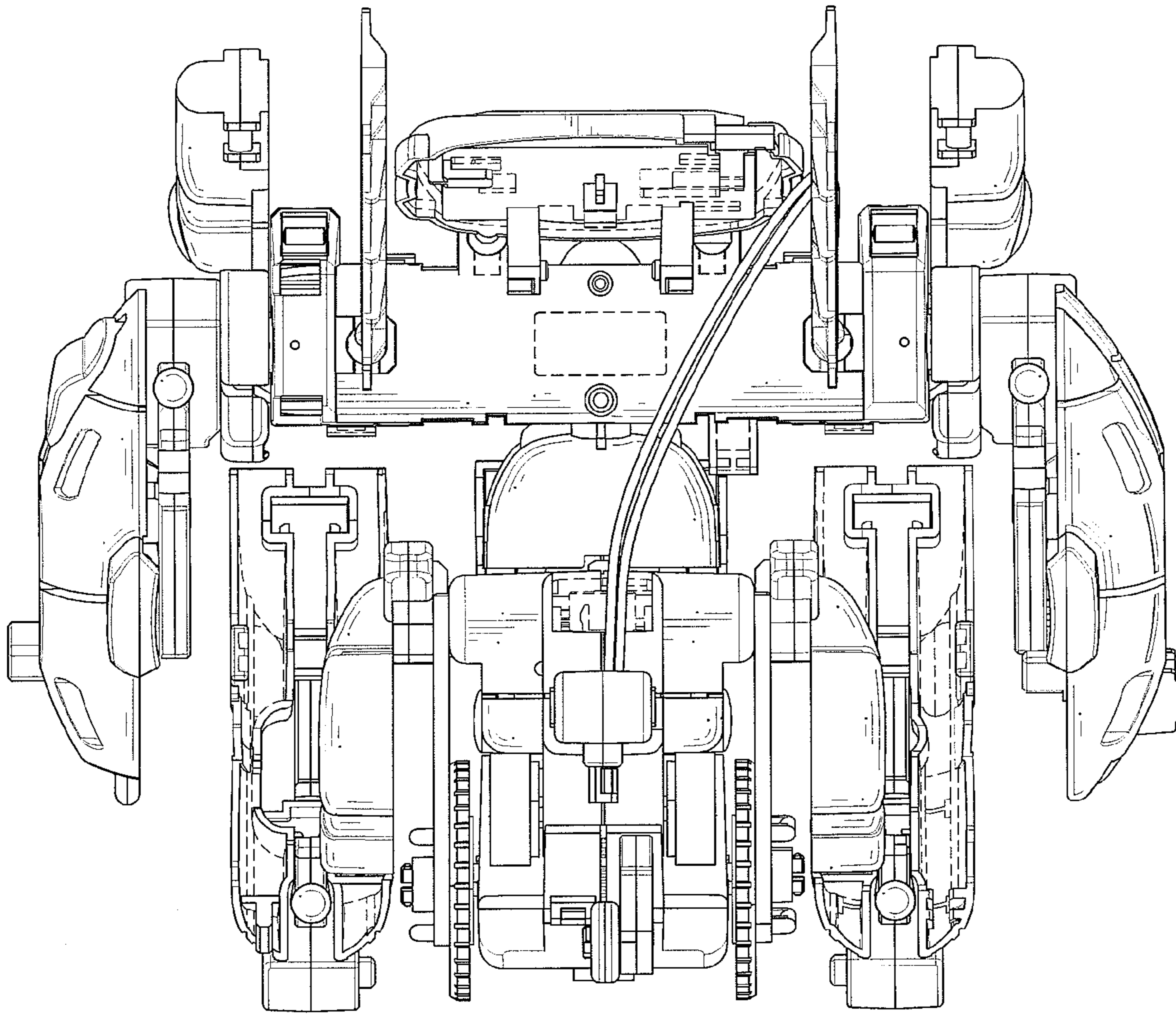


FIG.3

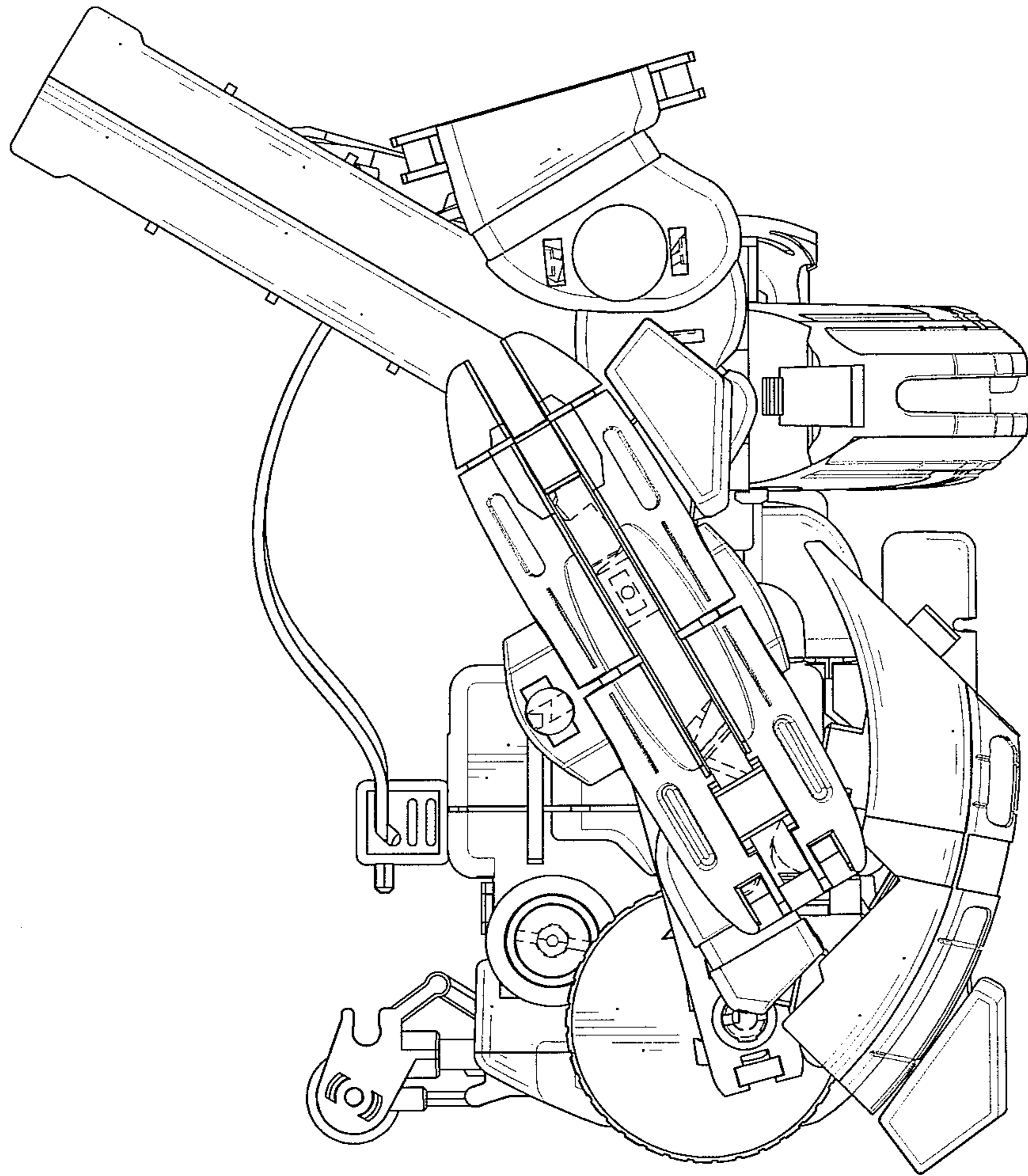


FIG.4

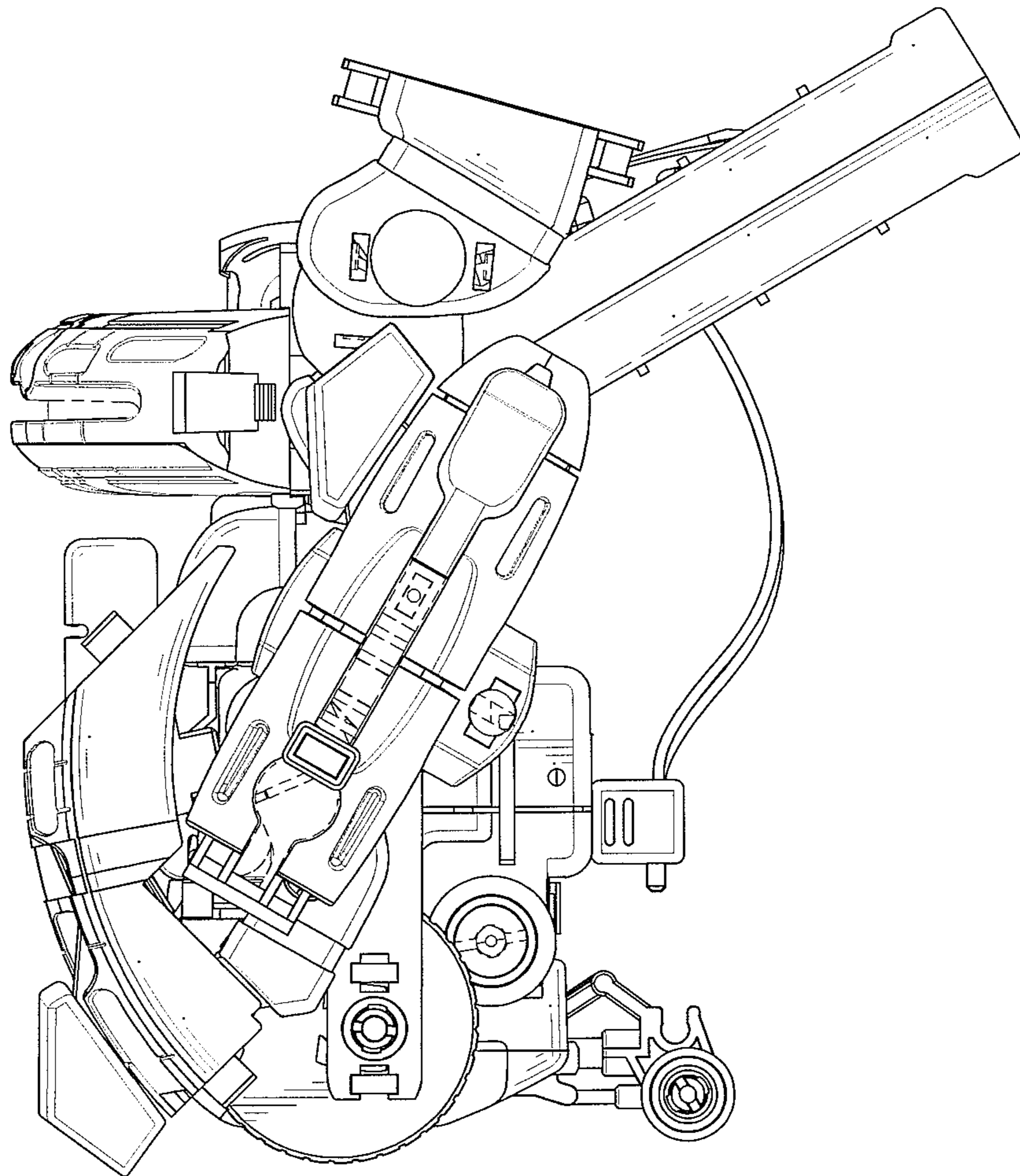


FIG.5

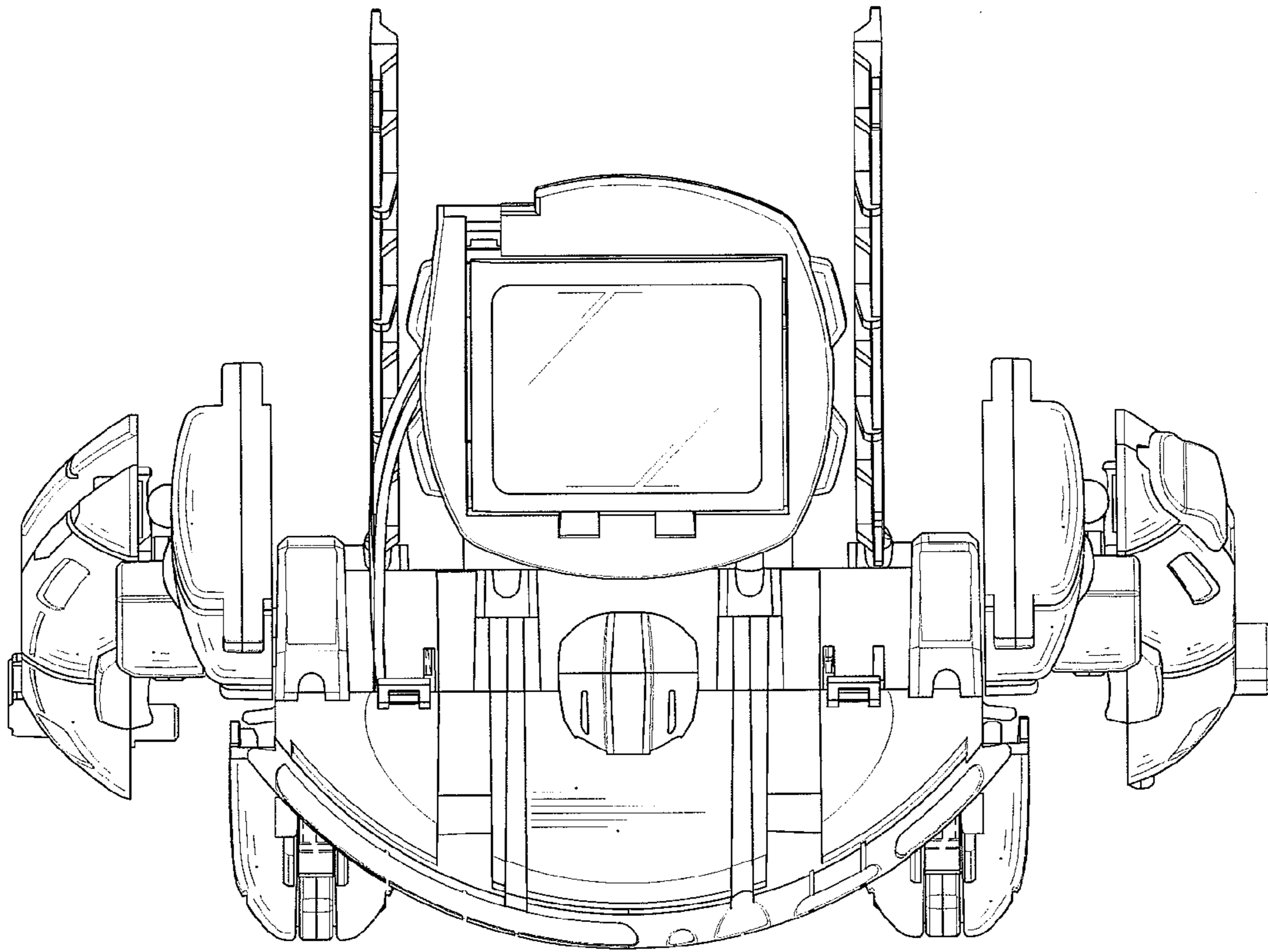


FIG.6

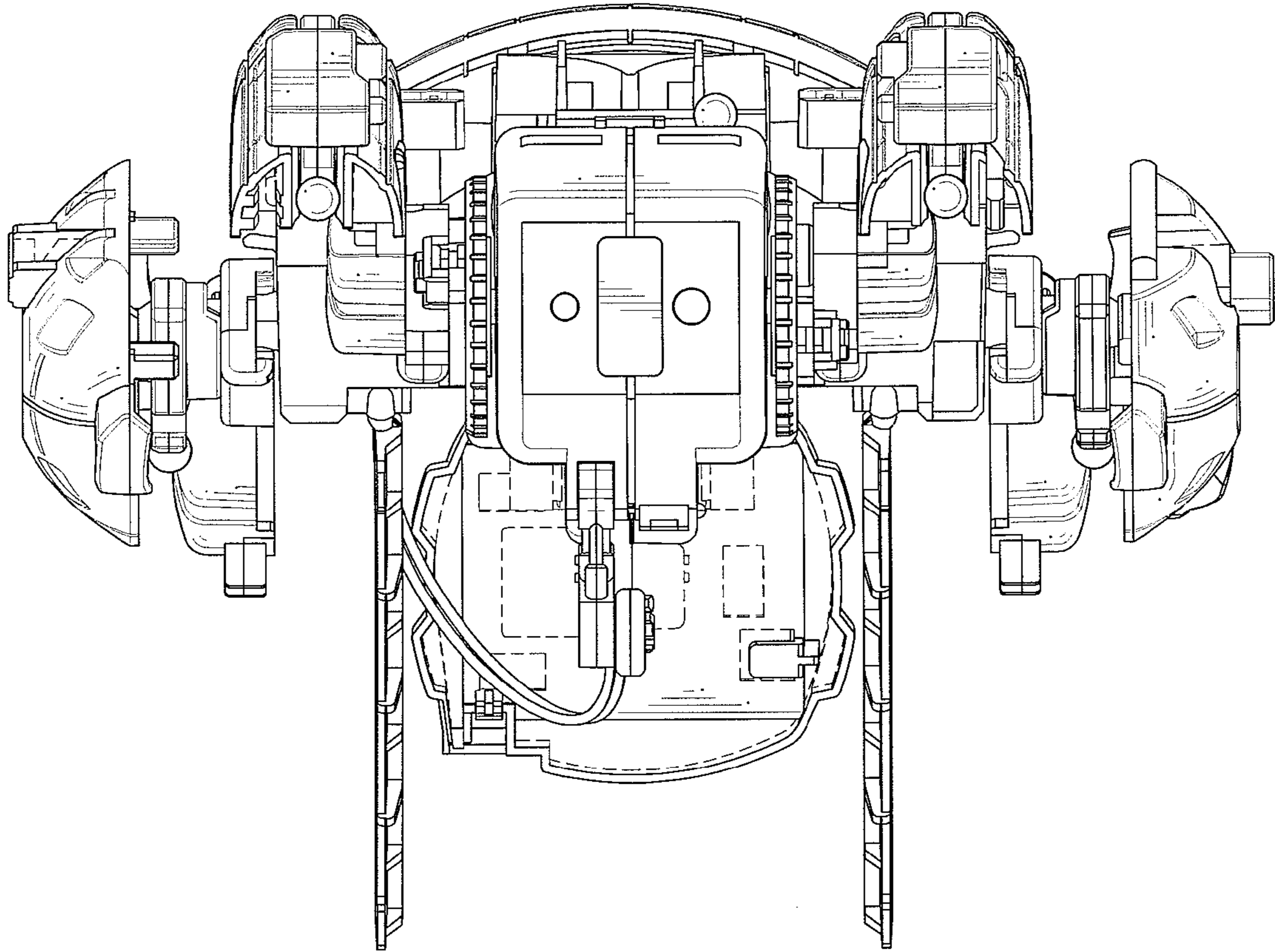


FIG.7

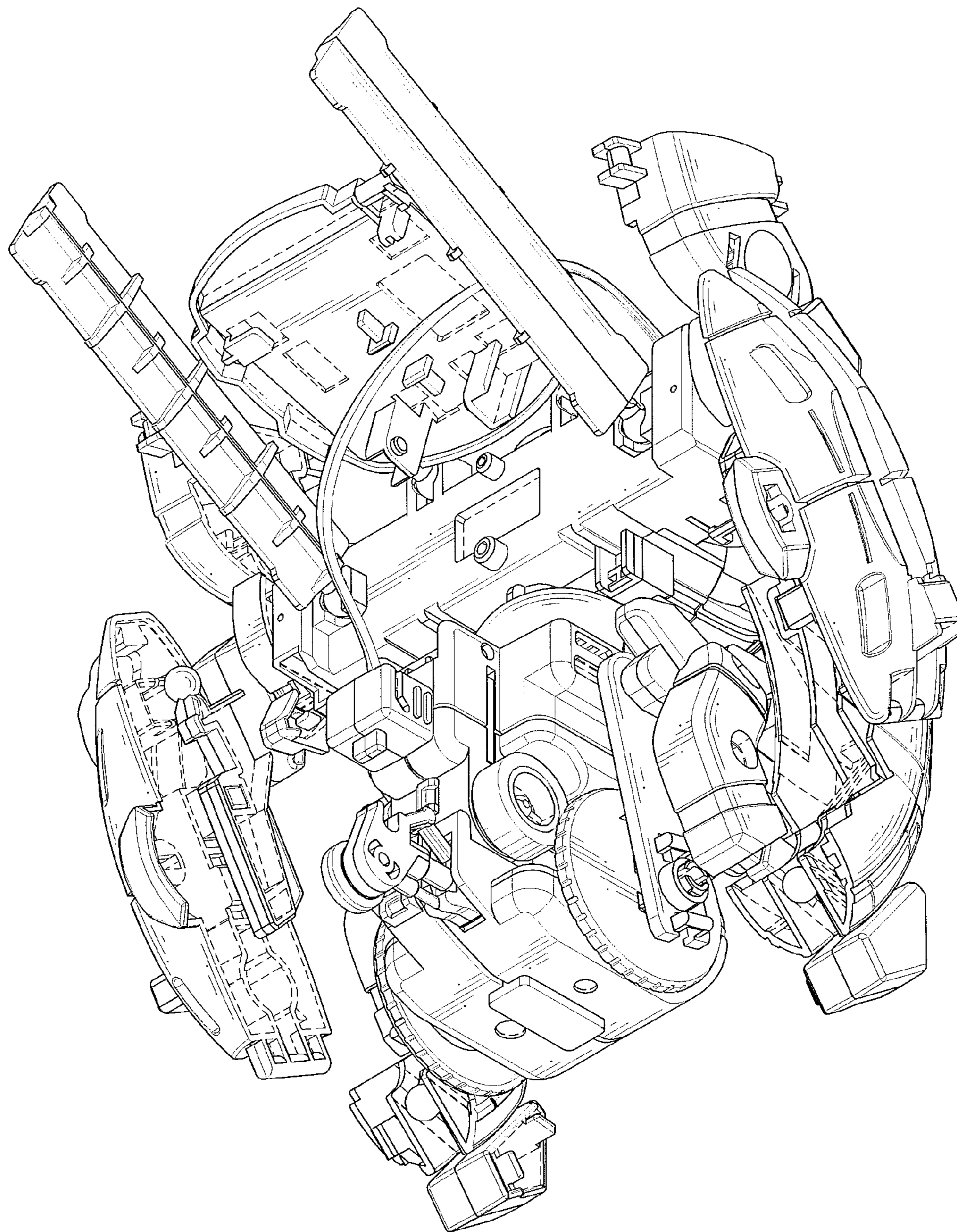


FIG.8