



US00D681132S

(12) **United States Design Patent**
Dalton et al.

(10) **Patent No.:** **US D681,132 S**
(45) **Date of Patent:** **** Apr. 30, 2013**

(54) **DOLL WITH LEGS AND PACIFIER**

(75) Inventors: **Laura Dalton**, St. Louis, MO (US);
Susan Godfrey, Scottsdale, AZ (US)

(73) Assignee: **First Friends, LLC**, St. Louis, MO (US)

(**) Term: **14 Years**

(21) Appl. No.: **29/405,810**

(22) Filed: **Nov. 7, 2011**

Related U.S. Application Data

(60) Division of application No. 29/376,726, filed on Oct. 11, 2010, now Pat. No. Des. 650,868, and a continuation-in-part of application No. 29/360,942, filed on May 3, 2010, now Pat. No. Des. 633,577.

(51) **LOC (9) Cl.** **21-01**

(52) **U.S. Cl.**
USPC **D21/576; D21/655**

(58) **Field of Classification Search** D21/576-578,
D21/585-590, 604-605, 611-612, 625, 655,
D21/658; D24/195; D11/158-159; 446/71-73,
446/97-98, 269, 292, 368-369
See application file for complete search history.

(56) **References Cited**

U.S. PATENT DOCUMENTS

4,277,910	A	7/1981	Kramer
D287,636	S	1/1987	Callju
D325,232	S	4/1992	Phelps
5,344,355	A	9/1994	Silverstein
D392,697	S	3/1998	Grasso
D402,761	S	12/1998	Jones
5,871,184	A	2/1999	Kaopio
D414,828	S	10/1999	Sant
D415,540	S	10/1999	Sant
D443,065	S	5/2001	Byes et al.

6,666,740	B1	12/2003	Schneider
6,824,112	B2	11/2004	Lange
D500,817	S	1/2005	Forte
D519,581	S	4/2006	Velez et al.
D522,593	S	6/2006	Kennedy
D609,284	S	2/2010	Markland et al.
D625,369	S *	10/2010	Raimondi D21/604

* cited by examiner

Primary Examiner — Sandra Morris

(74) *Attorney, Agent, or Firm* — Schmeiser, Olsen & Watts LLP; Jordan M. Meschkow

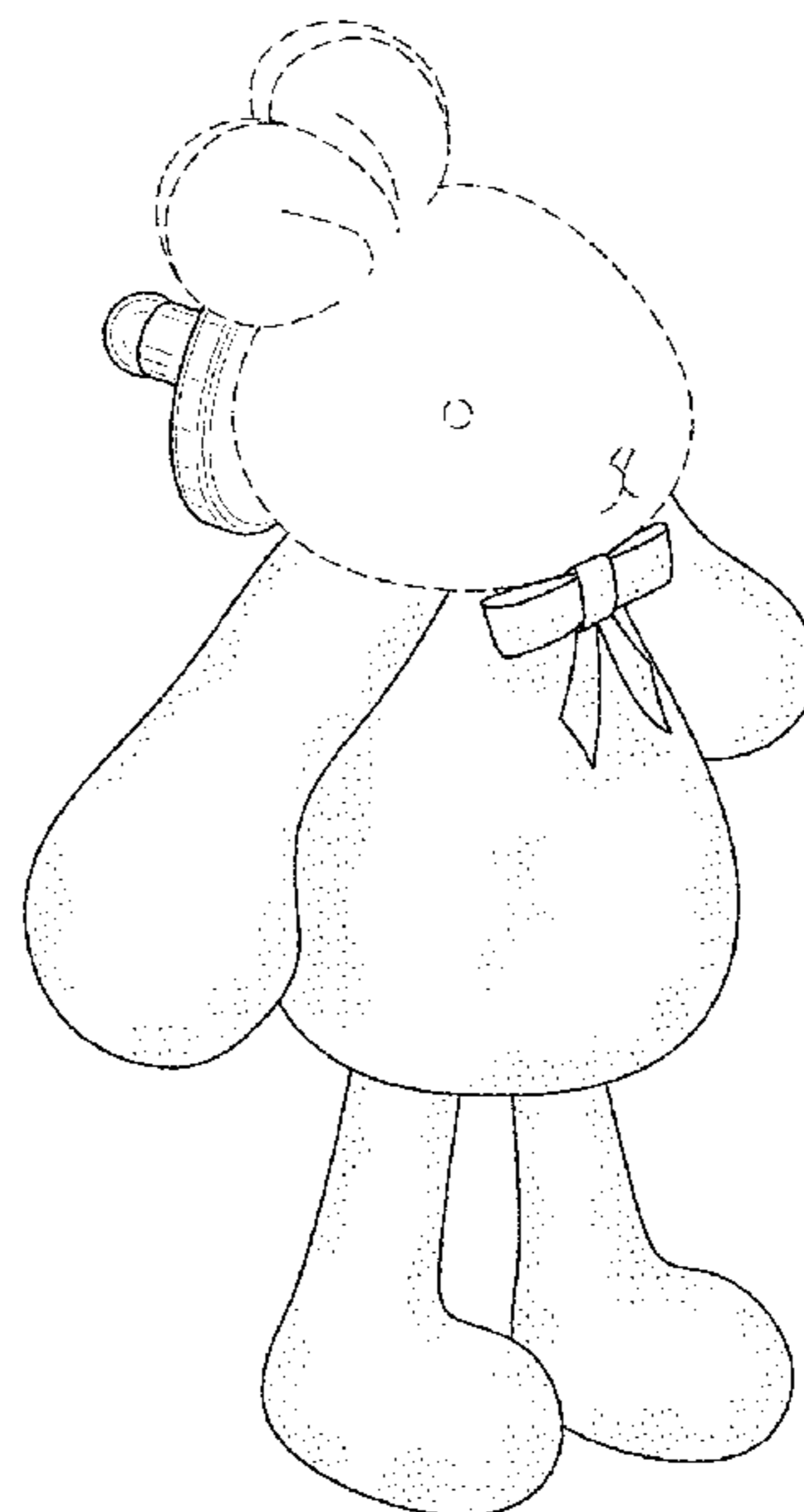
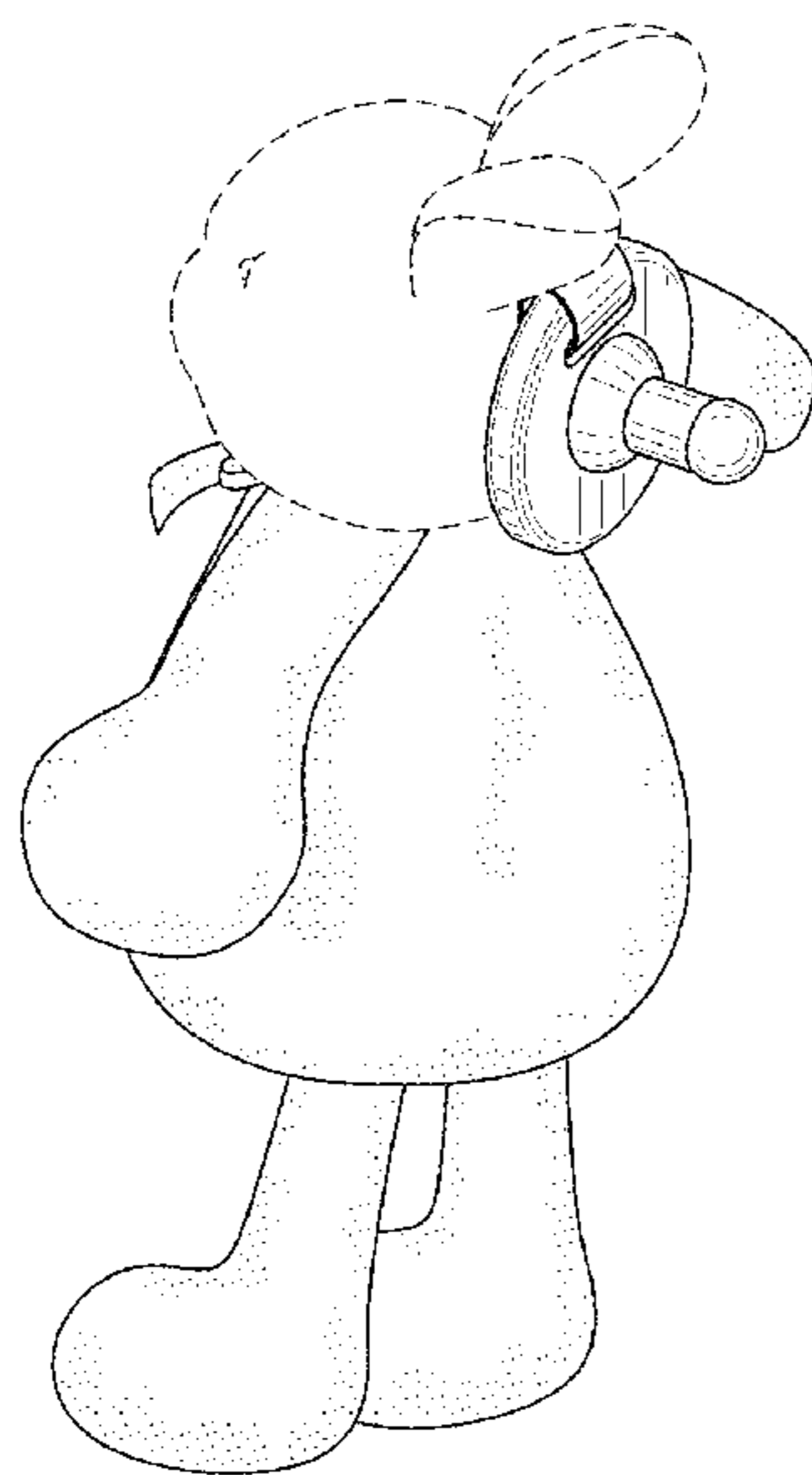
(57) **CLAIM**

The ornamental design for a doll with legs and pacifier, as shown and described.

DESCRIPTION

FIG. 1 is a rear left side perspective view of a doll with legs and pacifier, showing our new design therefor;
 FIG. 2 is a front right side perspective view of the doll with legs and pacifier as mirrored in FIG. 1;
 FIG. 3 is a front perspective view of an alternate embodiment of the doll with legs and pacifier thereof;
 FIG. 4 is a right side plan view of the doll with legs and pacifier in FIG. 1; showing the right side, the left side being a mirror image thereof;
 FIG. 5 is a plan front view of the doll with legs and pacifier in FIG. 1;
 FIG. 6 is a plan rear view of the doll with legs and pacifier in FIG. 1;
 FIG. 7 is a top view of the doll with legs and pacifier in FIG. 1; and,
 FIG. 8 is a bottom view of the doll with legs and pacifier in FIG. 1.
 The broken line showing is for illustrative purposes only, and forms no part of the claimed design.

1 Claim, 4 Drawing Sheets



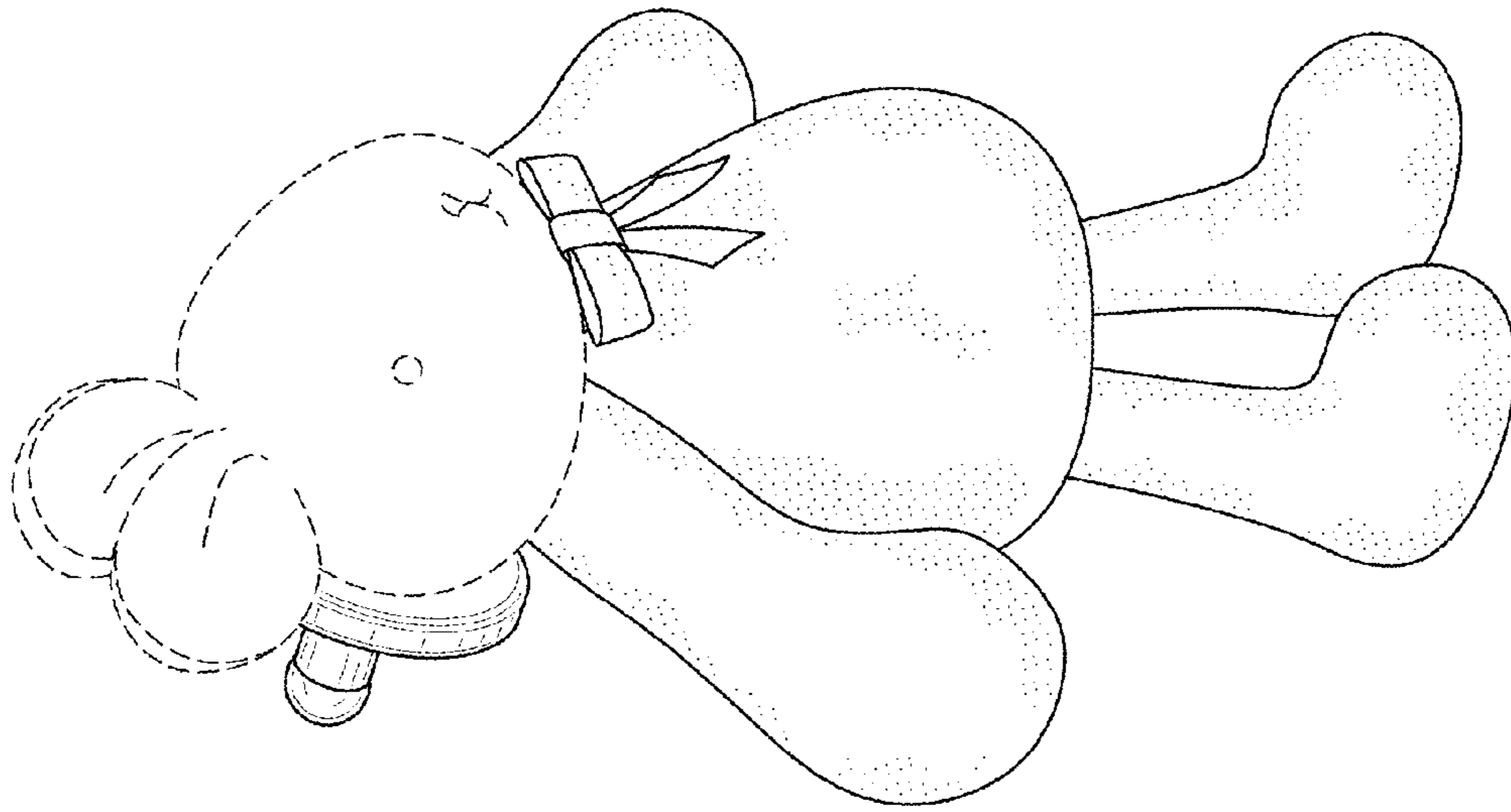


FIG. 2

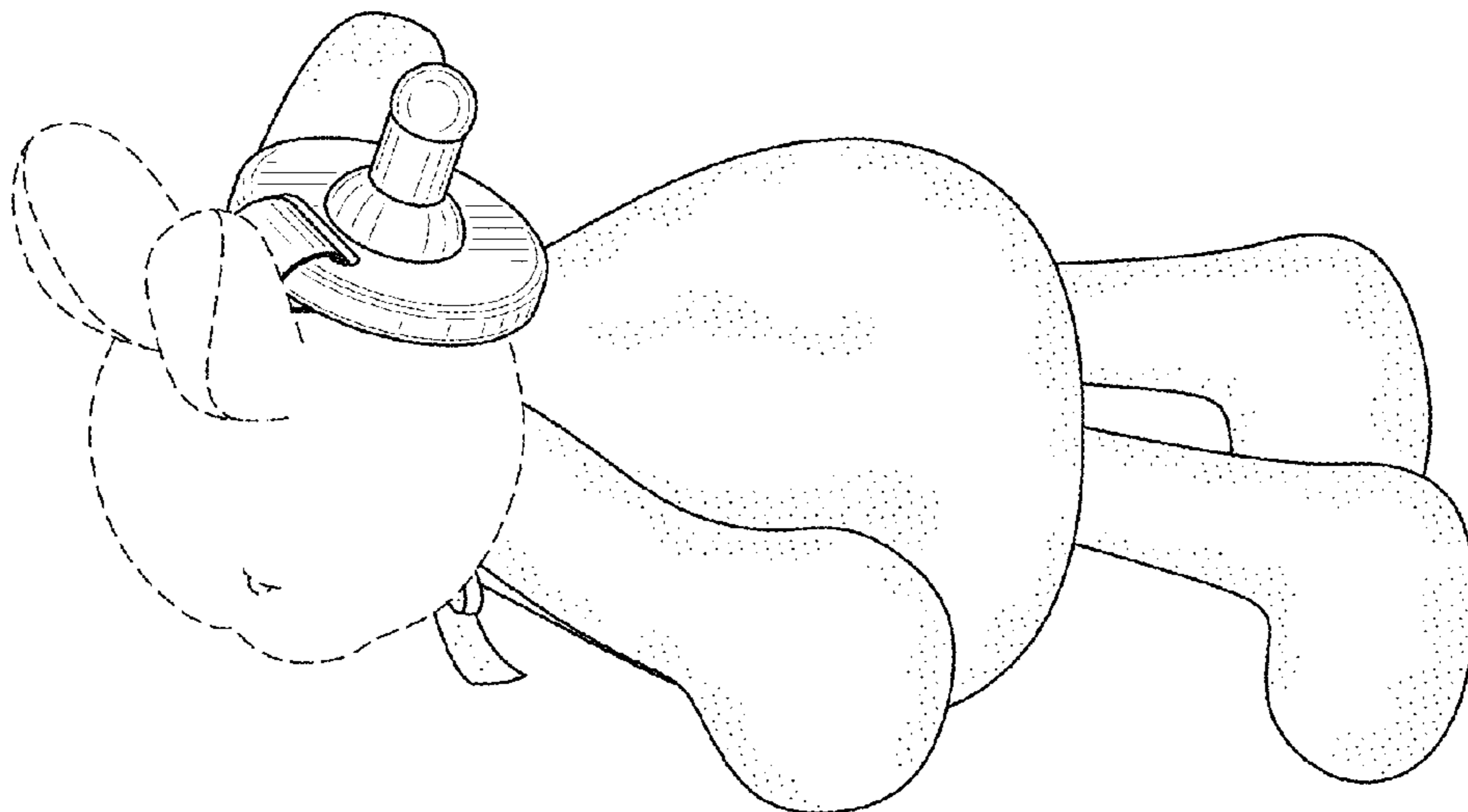


FIG. 1

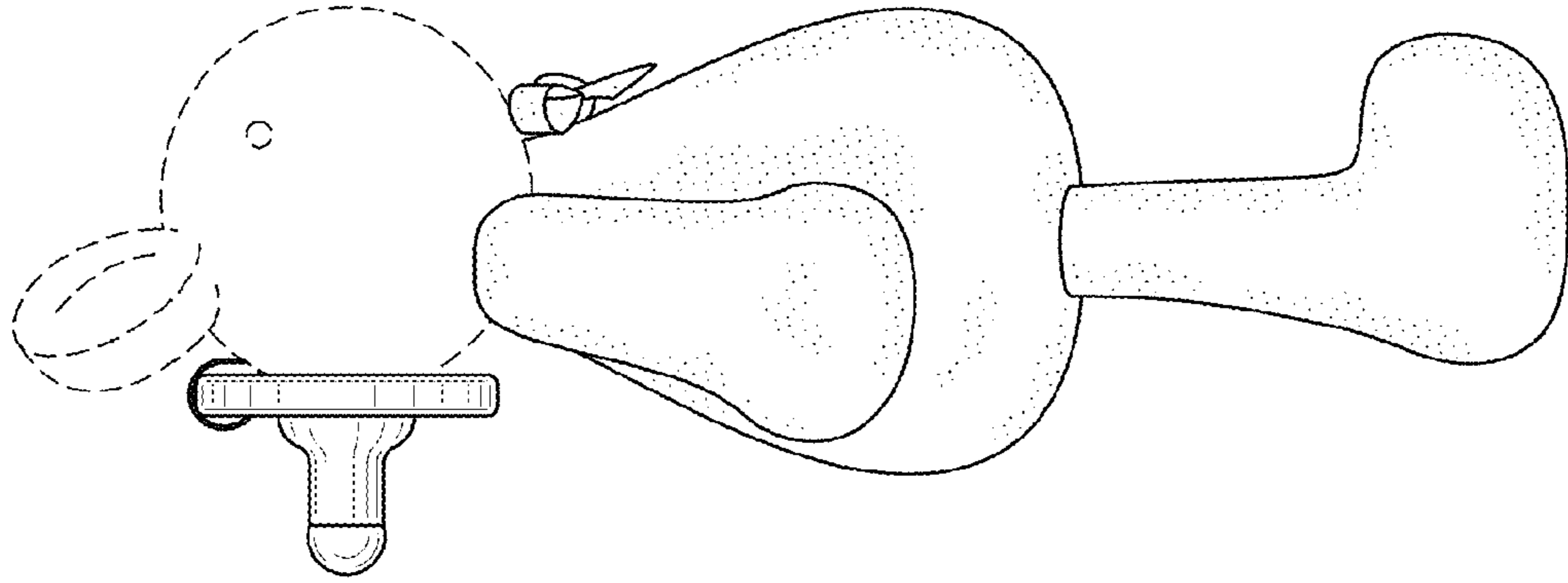


FIG. 4

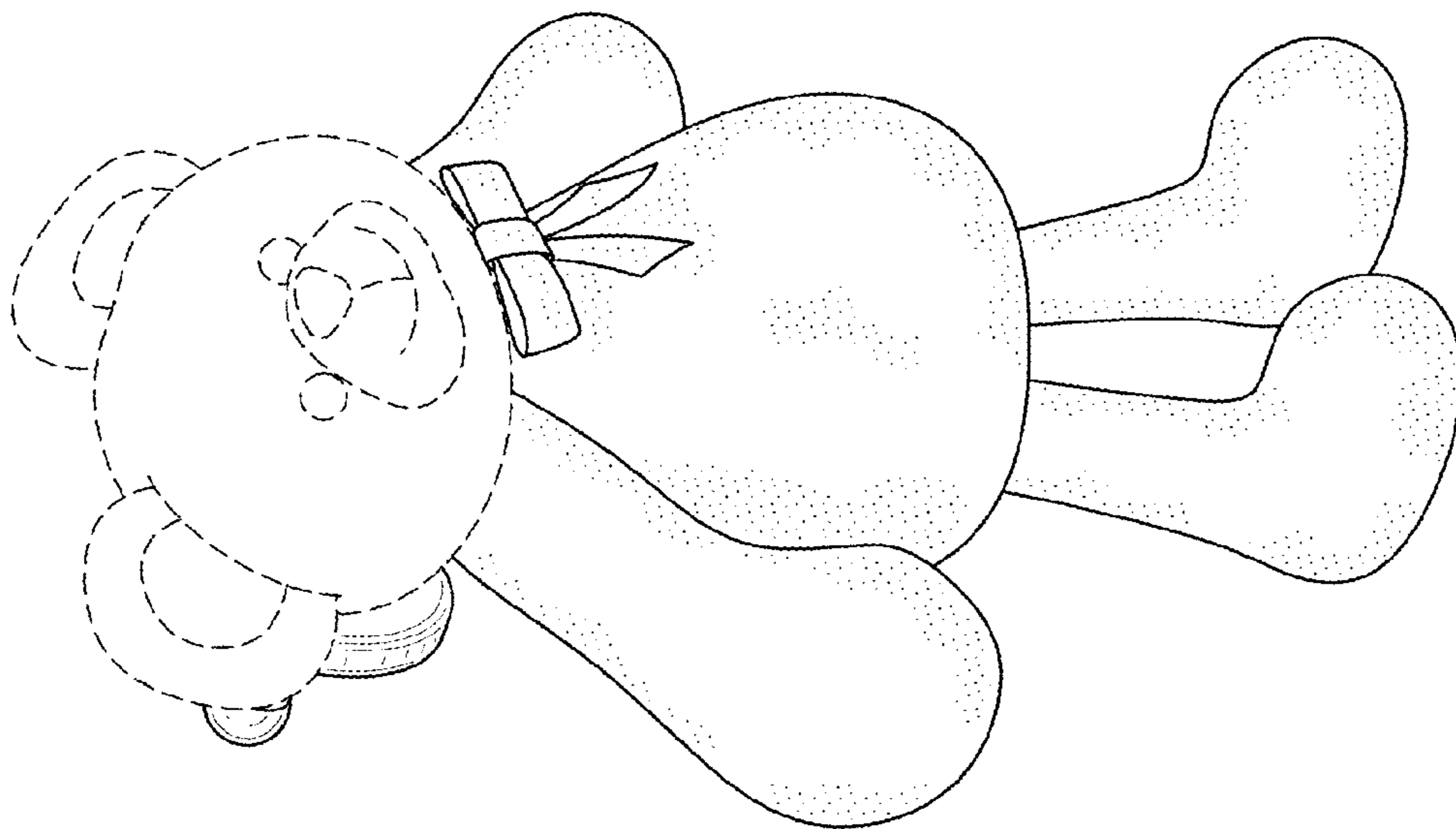


FIG. 3

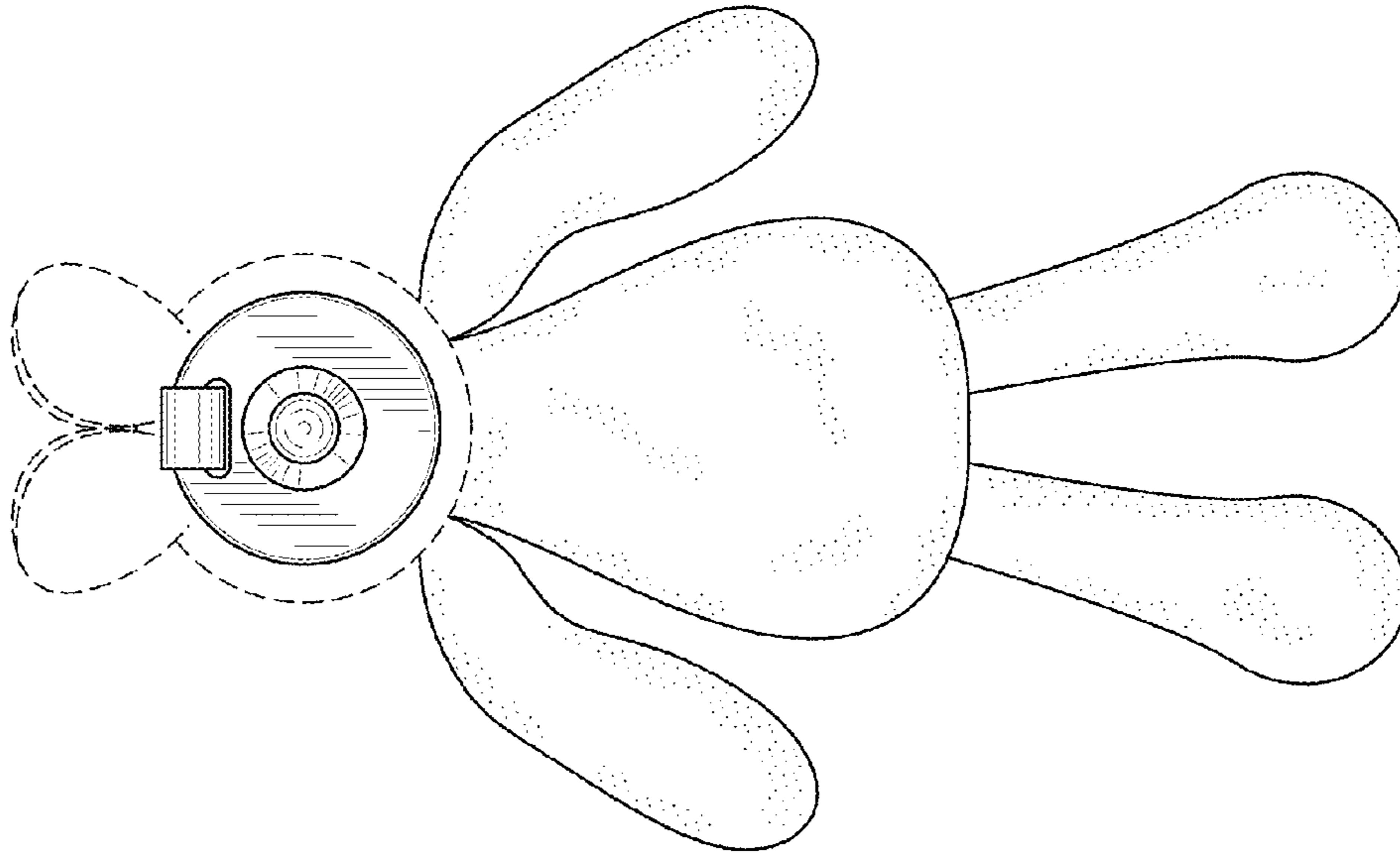


FIG. 6

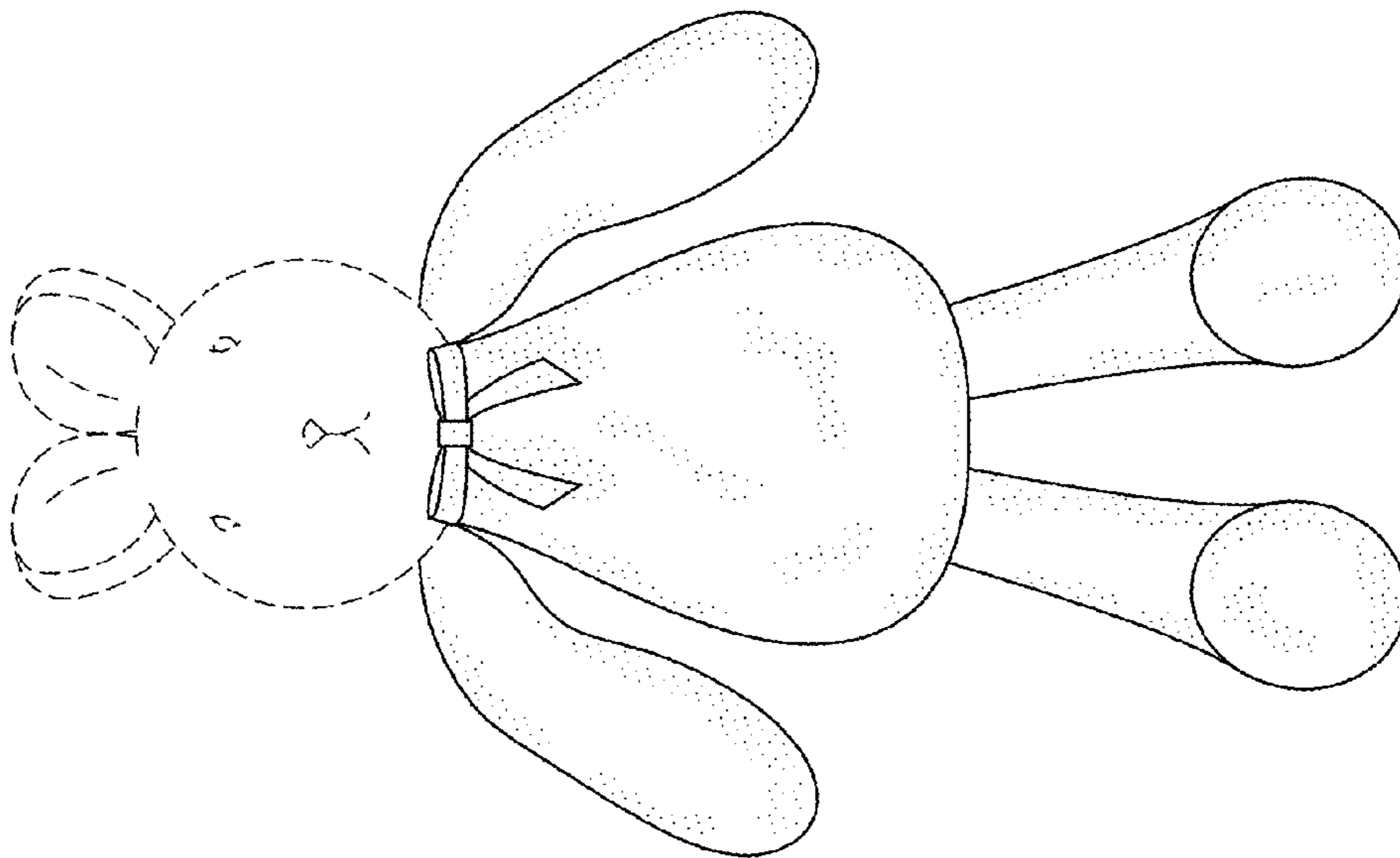


FIG. 5

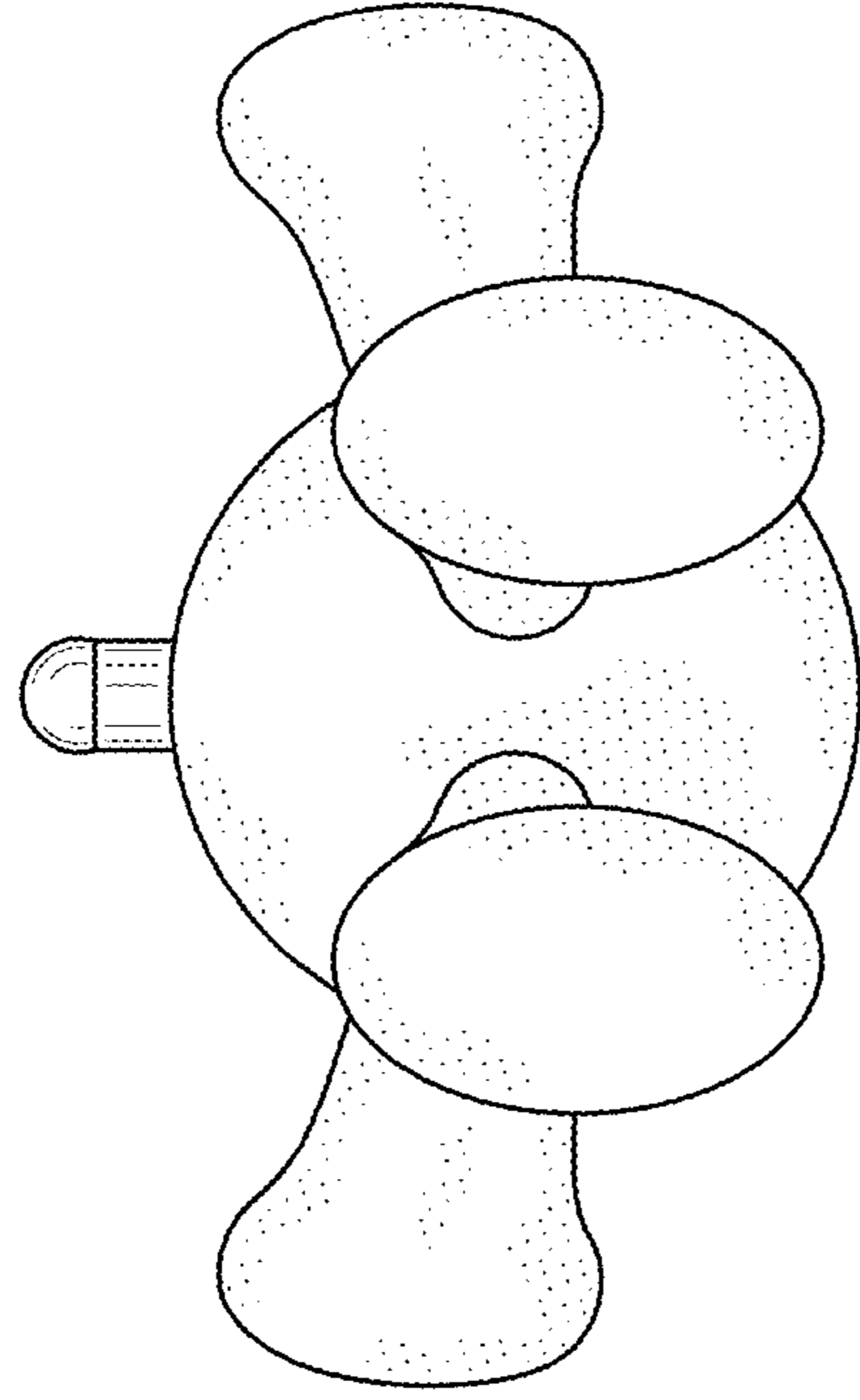


FIG. 8

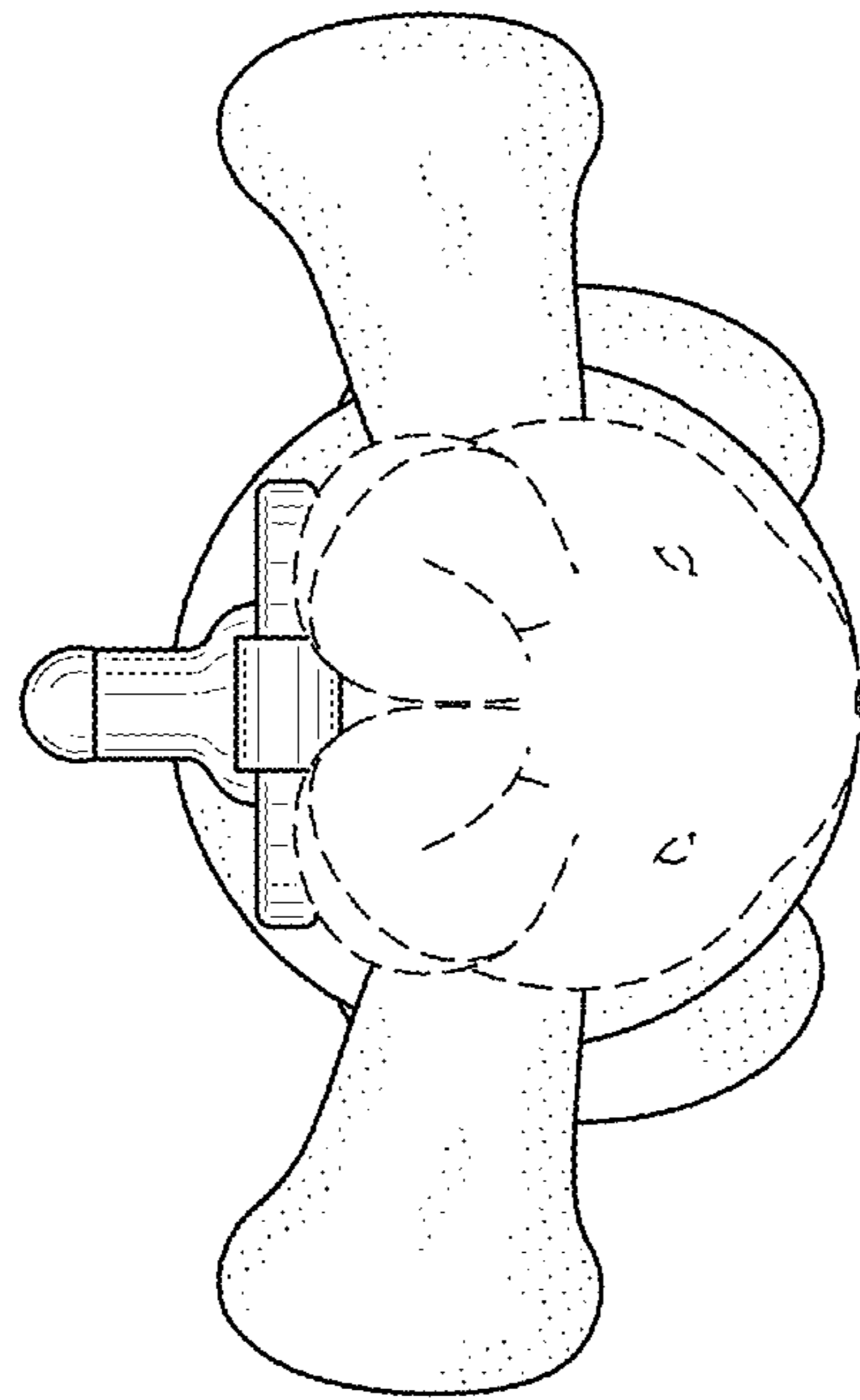


FIG. 7