



US00D681129S

(12) **United States Design Patent**
DeSimone et al.

(10) **Patent No.:** **US D681,129 S**
(45) **Date of Patent:** **** Apr. 30, 2013**

(54) **GAMING MACHINE**

(56)

References Cited

(75) Inventors: **Frank DeSimone**, Henderson, NV (US);
Michael Kolodziej, Austin, TX (US);
Travis Bussey, Austin, TX (US);
Brandon Fish, Pflugerville, TX (US);
Clint Owen, Rockdale, TX (US)

U.S. PATENT DOCUMENTS

5,848,932	A *	12/1998	Adams	463/20
6,705,944	B2 *	3/2004	Luciano	463/20
7,226,358	B2 *	6/2007	Miller et al.	463/20
D590,025	S *	4/2009	Fiore	D21/370
7,614,949	B2 *	11/2009	Anderson et al.	463/20
D624,604	S *	9/2010	Wudtke	D21/385

(73) Assignee: **Multimedia Games, Inc.**, Austin, TX (US)

* cited by examiner

Primary Examiner — Sandra Morris

(**) Term: **14 Years**

(74) *Attorney, Agent, or Firm* — Russell D. Culbertson, Esq.; J P Cody, Esq.

(21) Appl. No.: **29/379,057**

(57) **CLAIM**

The ornamental design for a gaming machine, as shown.

(22) Filed: **Nov. 12, 2010**

DESCRIPTION

(51) **LOC (9) Cl.** **21-03**

(52) **U.S. Cl.**
USPC **D21/370**

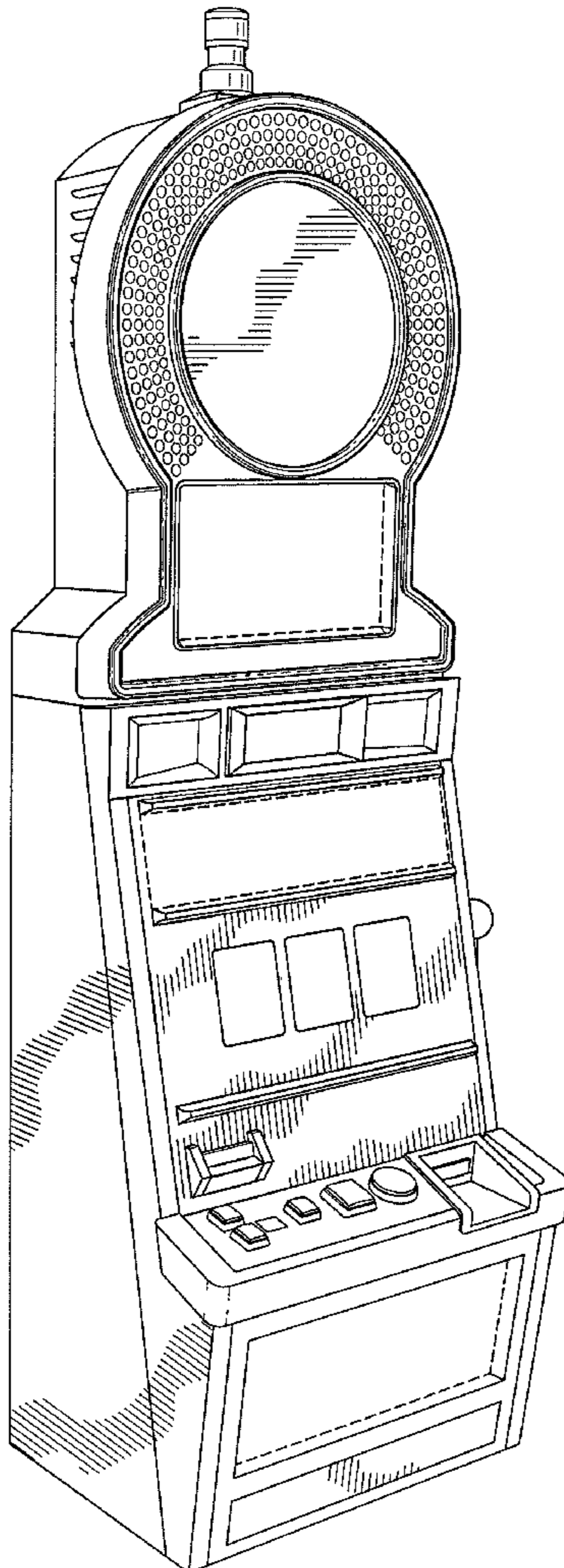
(58) **Field of Classification Search** D21/369–371;
463/17, 20, 46–47; 273/143 R

FIG. 1 is a left perspective view of a gaming machine embodying the ornamental design according to the present invention;

FIG. 2 is a right side perspective view thereof; and,
FIG. 3 is a front perspective view thereof.

See application file for complete search history.

1 Claim, 3 Drawing Sheets



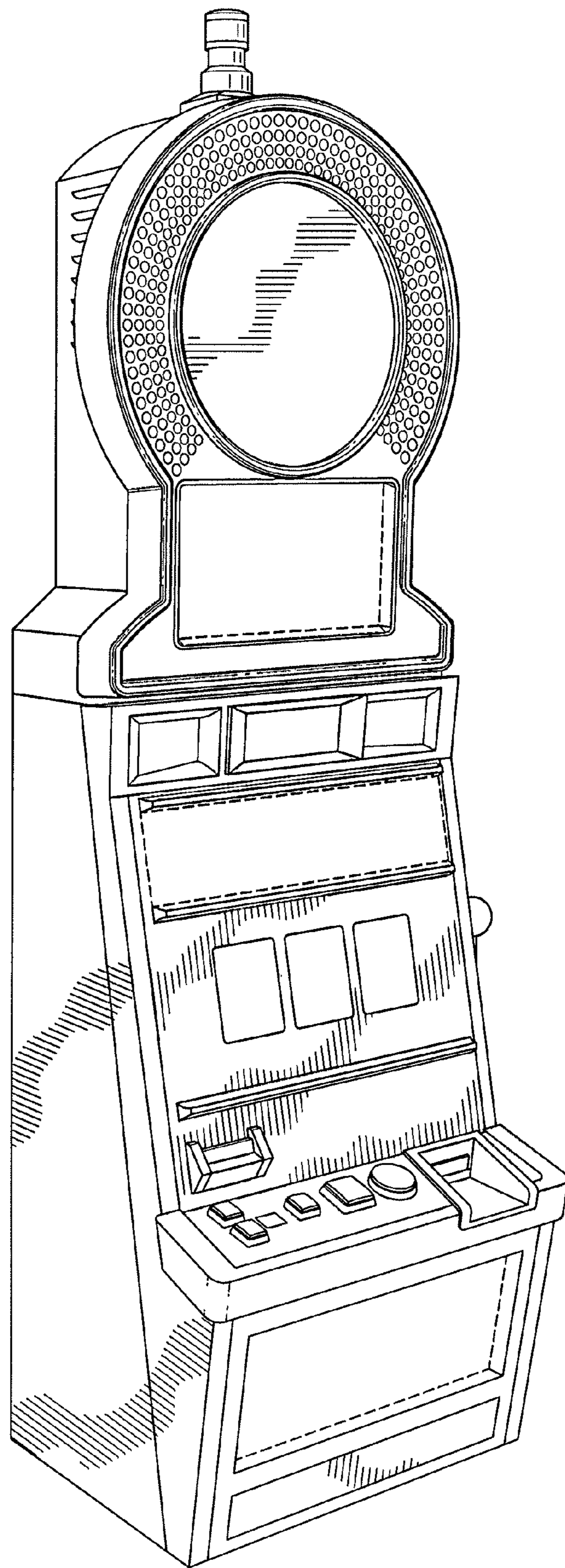


FIG. 1

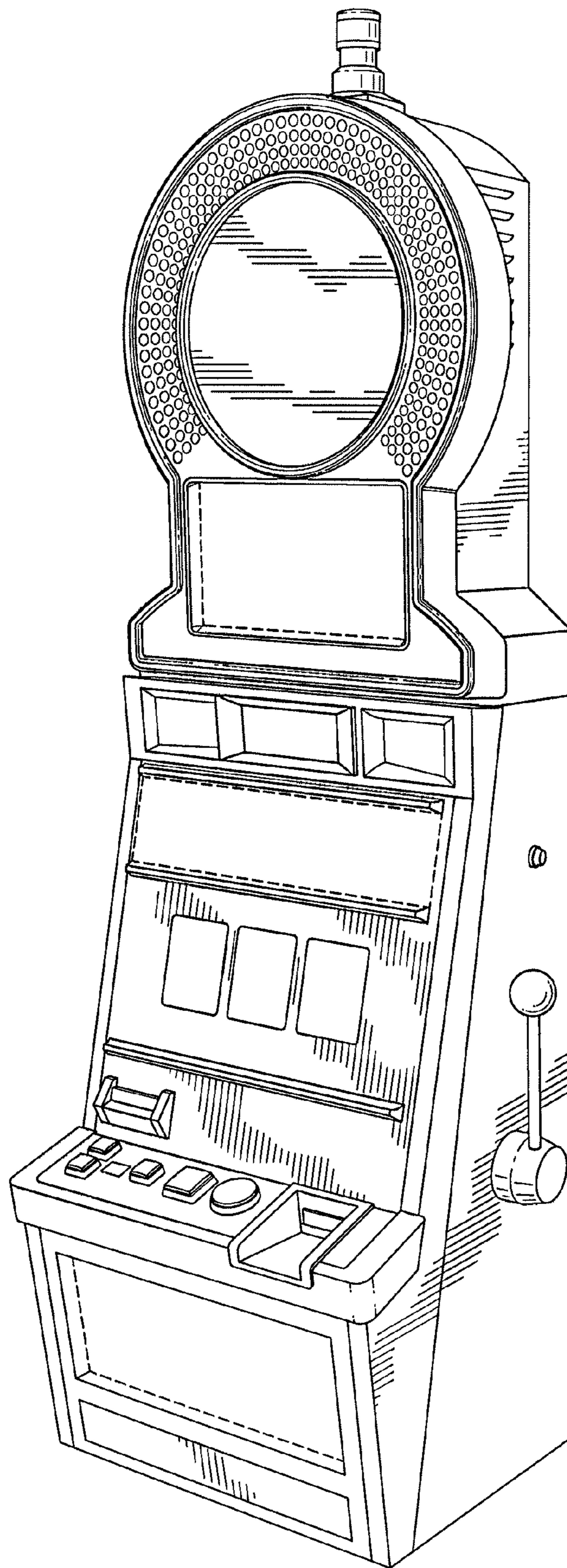


FIG. 2

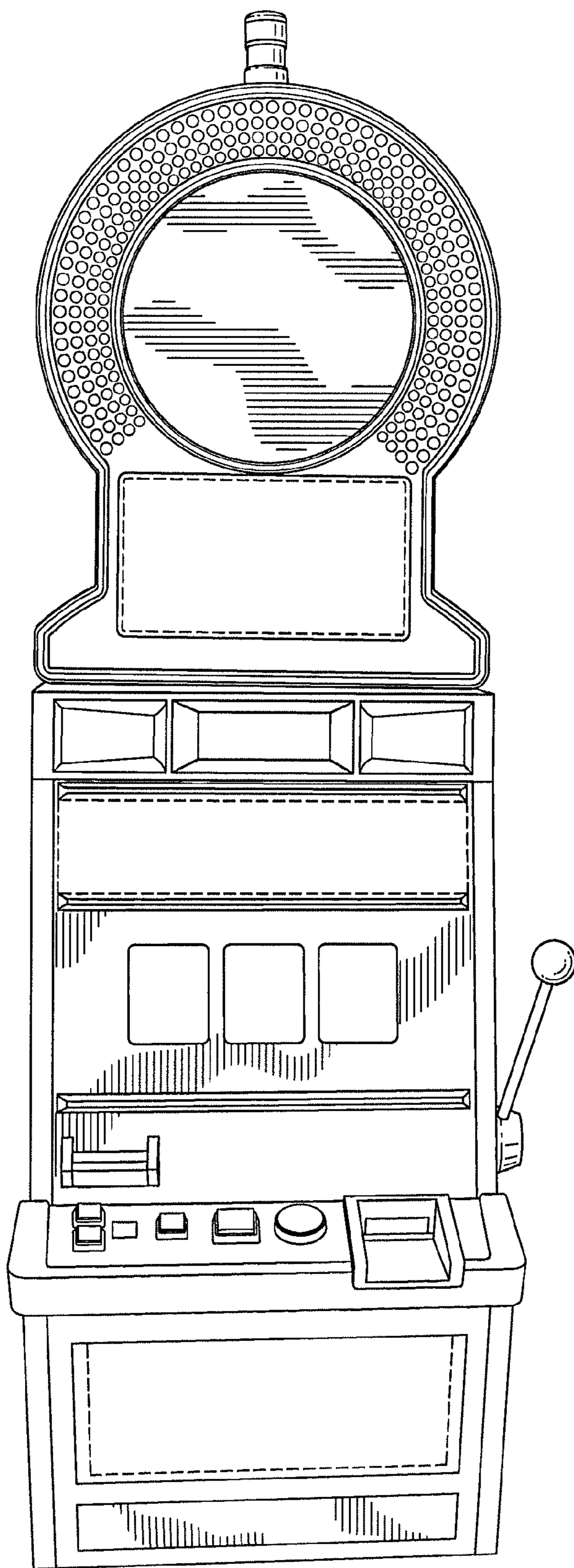


FIG. 3