



US00D681119S

(12) **United States Design Patent**
Stravitz

(10) **Patent No.:** **US D681,119 S**
(45) **Date of Patent:** **** Apr. 30, 2013**

(54) **PENCIL CASE**

(71) Applicant: **David M. Stravitz**, New York, NY (US)

(72) Inventor: **David M. Stravitz**, New York, NY (US)

(73) Assignee: **Block and Company, Inc.**, Wheeling, IL (US)

(**) Term: **14 Years**

(21) Appl. No.: **29/439,476**

(22) Filed: **Dec. 11, 2012**

(51) **LOC (9) Cl.** **19-02**

(52) **U.S. Cl.**
USPC **D19/85**

(58) **Field of Classification Search** D3/304,
D3/314; D6/512; D9/414, 425, 432; D19/75,
D19/77-86, 90-92; 206/215, 425, 449, 555
See application file for complete search history.

(56) **References Cited**

U.S. PATENT DOCUMENTS

689,076	A *	12/1901	Grange	206/425
1,895,725	A *	1/1933	Nuckols	108/100
1,932,429	A *	10/1933	Wellman	229/125.19
1,998,481	A *	4/1935	Yoder	206/63.5
2,312,594	A *	3/1943	Smith et al.	211/72
D192,271	S *	2/1962	Gulland	D3/313
D245,288	S *	8/1977	Roark et al.	D3/298
D274,012	S *	5/1984	Williams	D3/304
4,925,031	A *	5/1990	Collins	206/486
5,108,000	A *	4/1992	Stoll et al.	220/23.4
D329,154	S *	9/1992	Waterston	D6/476
D333,581	S *	3/1993	Macsenti et al.	D6/510
D348,390	S *	7/1994	Van Ness	D9/760
D359,404	S *	6/1995	Svee	D6/476
5,445,397	A *	8/1995	Evans	280/47.18
5,490,607	A *	2/1996	Hsieh et al.	220/483
D385,112	S *	10/1997	Birnbaum	D3/313

(Continued)

Primary Examiner — Elizabeth Albert

(74) *Attorney, Agent, or Firm* — Holtz, Holtz, Goodman & Chick, P.C.

(57) **CLAIM**

The ornamental design for a pencil case, as shown and described.

DESCRIPTION

FIG. 1 is a top, front, right side perspective view of a first embodiment of a pencil case showing my new design;

FIG. 2 is a bottom, rear, left side perspective view thereof;

FIG. 3 is a top plan view thereof;

FIG. 4 is a bottom plan view thereof;

FIG. 5 is a front elevational view thereof;

FIG. 6 is a rear elevational view thereof;

FIG. 7 is a right side elevational view thereof;

FIG. 8 is a left side elevational view thereof;

FIG. 9 is a top, front, right side perspective view of a second embodiment of a pencil case showing my new design, the bottom-rear-left side perspective, bottom-plan, and rear-elevational views being the same as shown in FIGS. 2, 4, and 6 respectively;

FIG. 10 is a top plan view thereof;

FIG. 11 is a front elevational view thereof;

FIG. 12 is a right side elevational view thereof;

FIG. 13 is a left side elevational view thereof;

FIG. 14 is a top, front, right side perspective view of a third embodiment of a pencil case showing my new design, the bottom-rear-left side perspective, top-plan, bottom-plan, and rear-elevational views being the same as shown in FIGS. 2, 3, 4 and 6 respectively;

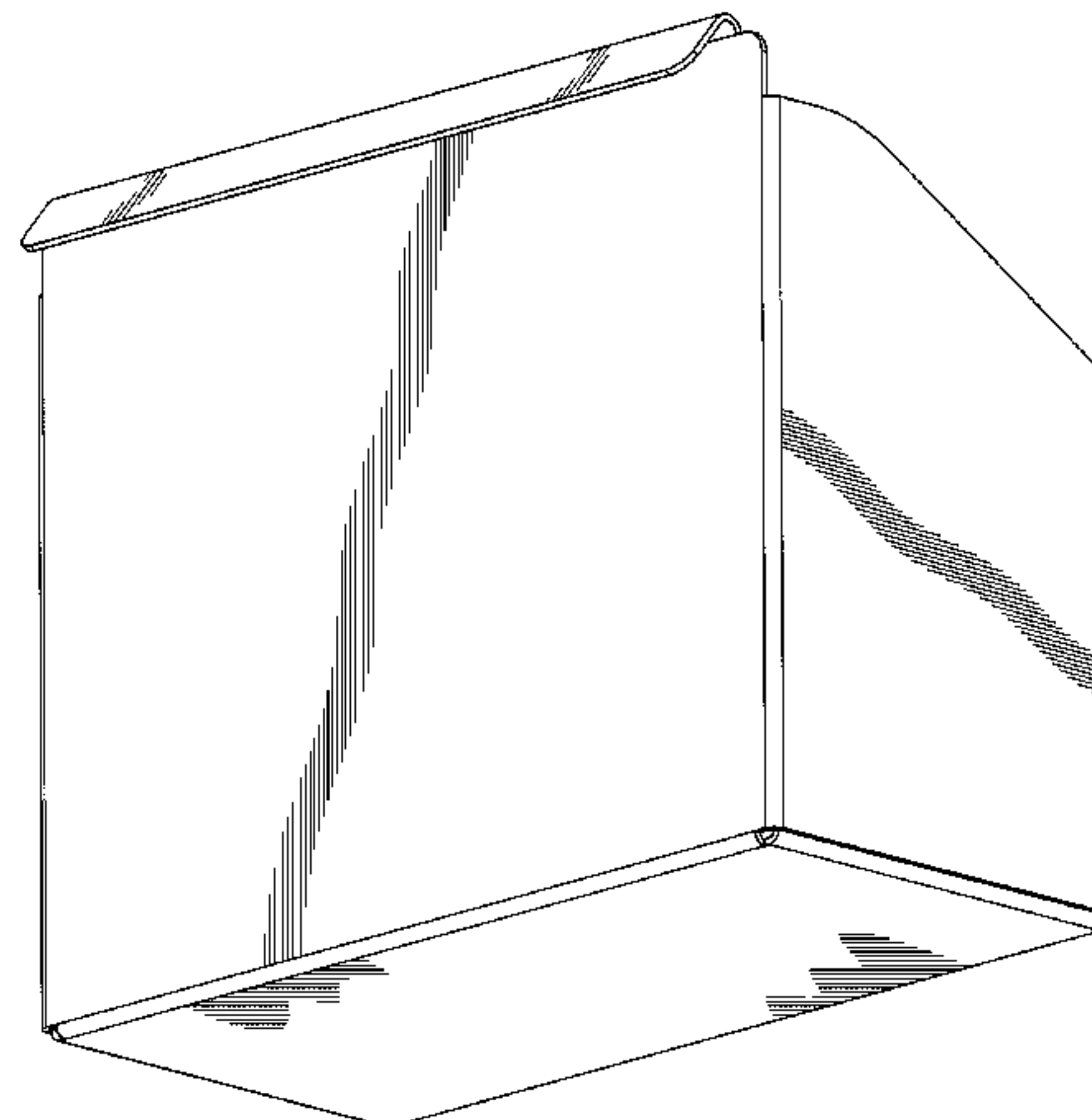
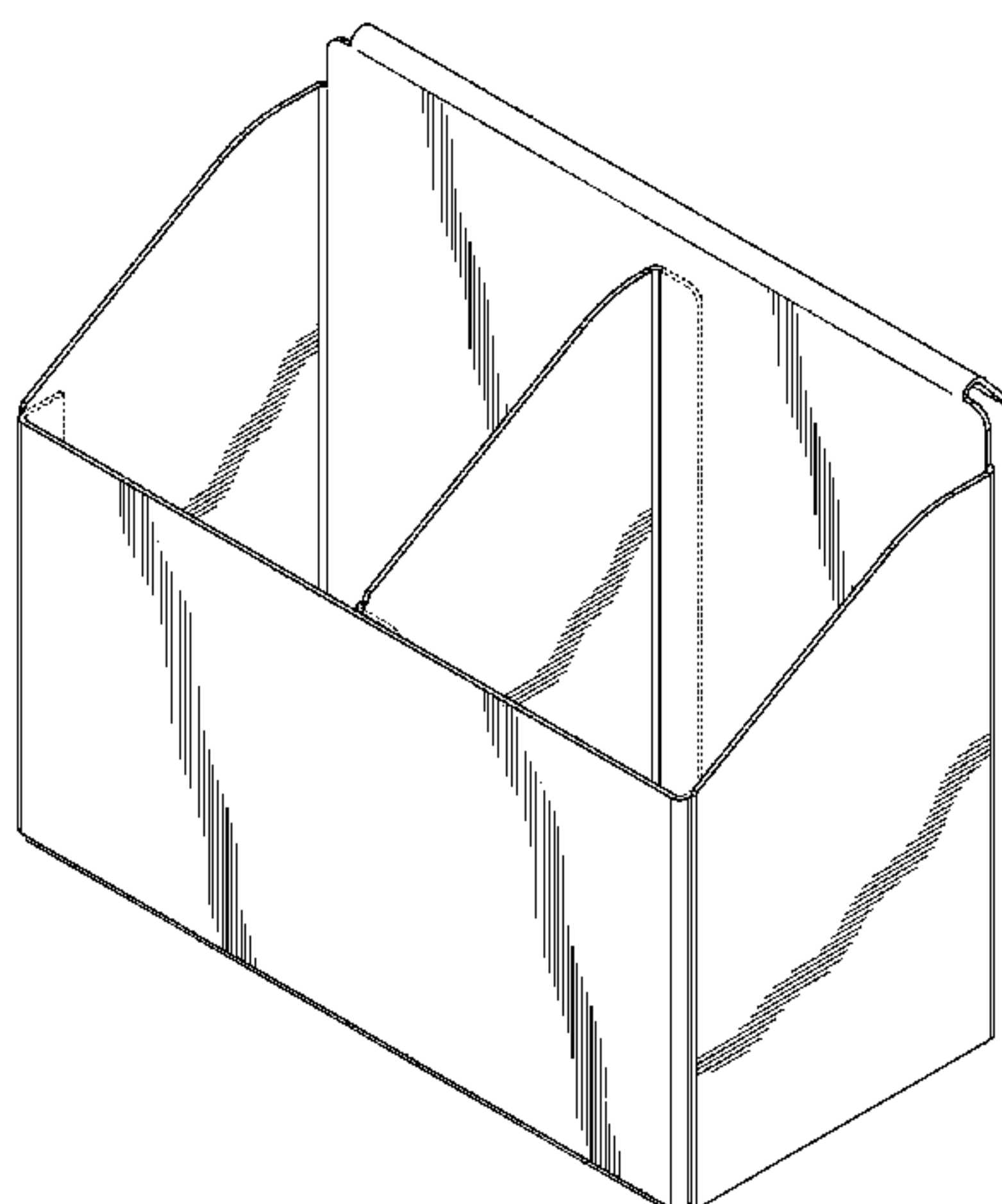
FIG. 15 is a front elevational view thereof;

FIG. 16 is a right side elevational view thereof; and,

FIG. 17 is a left side elevational view thereof.

The broken lines in the drawings of the pencil case are shown for the purpose of including portions that form no part of the claimed design.

1 Claim, 17 Drawing Sheets



US D681,119 S

Page 2

U.S. PATENT DOCUMENTS

D410,495	S	*	6/1999	Wear	D19/90			
D446,391	S	*	8/2001	Sterling et al.	D3/304			
6,409,077	B1	*	6/2002	Telesca et al.	229/164			
D474,688	S	*	5/2003	Litts	D3/295			
D475,411	S	*	6/2003	Hardy et al.	D19/90			
D494,760	S	*	8/2004	Yuan	D3/313			
D537,301	S	*	2/2007	Shaw	D7/641			
D538,529	S	*	3/2007	Rosen et al.	D3/206			
D581,159	S	*	11/2008	Neilsen	D3/304			
D581,670	S	*	12/2008	Neilsen	D3/304			
D582,190	S	*	12/2008	Valiulis et al.	D6/567			
D589,728	S	*	4/2009	Shaha et al.	D6/510			
D594,229	S	*	6/2009	Barkdoll et al.	D3/304			
D606,313	S	*	12/2009	Neilsen	D3/304			
D606,314	S	*	12/2009	Neilsen	D3/313			
D640,489	S	*	6/2011	Tuholski	D6/574			
D651,801	S	*	1/2012	Brown	D3/304			
D658,882	S	*	5/2012	Cullen	D3/313			
D673,039	S	*	12/2012	Villiers et al.	D9/434			
2003/0192808	A1	*	10/2003	Clarizio et al.	206/575			

* cited by examiner

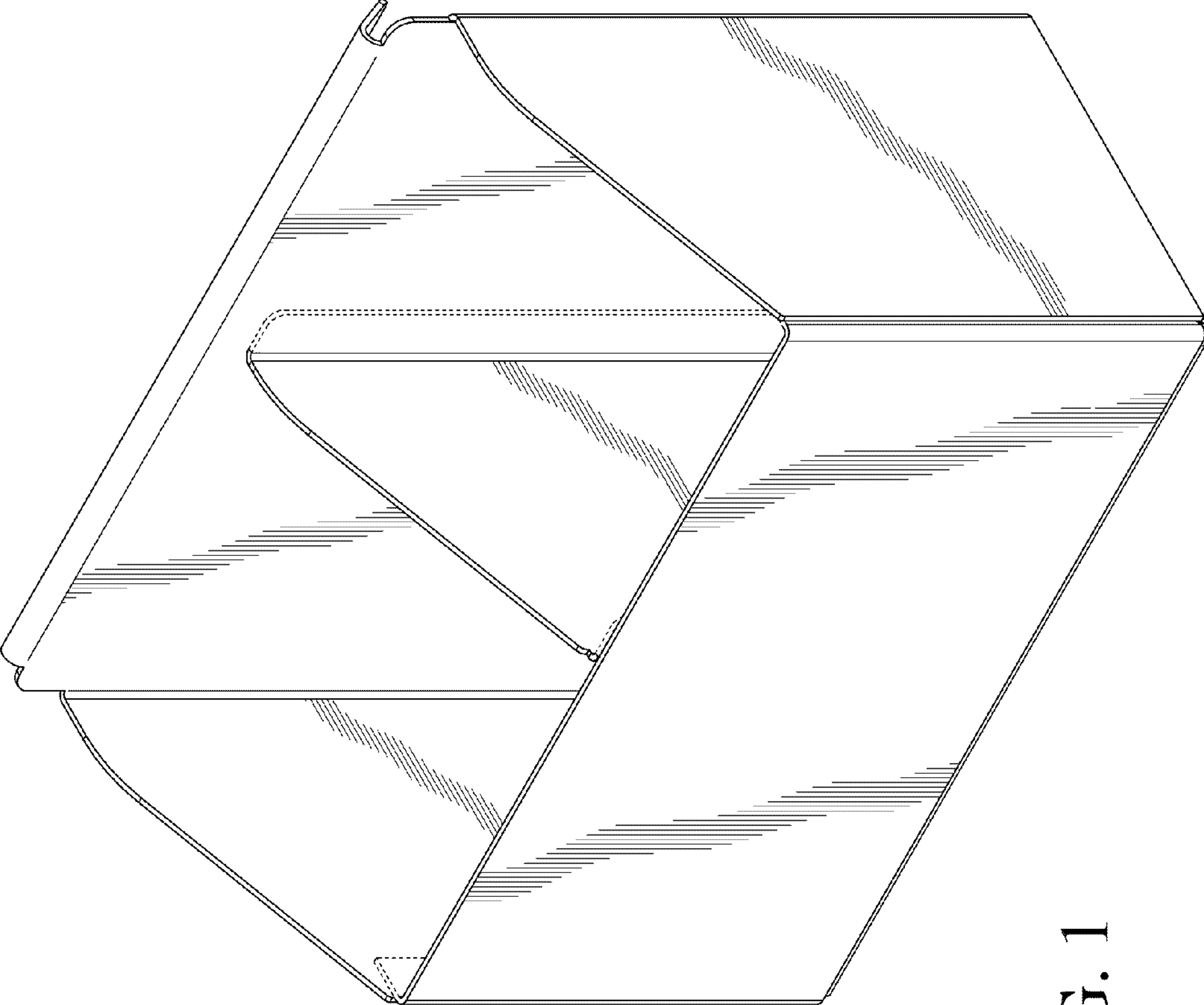


FIG. 1

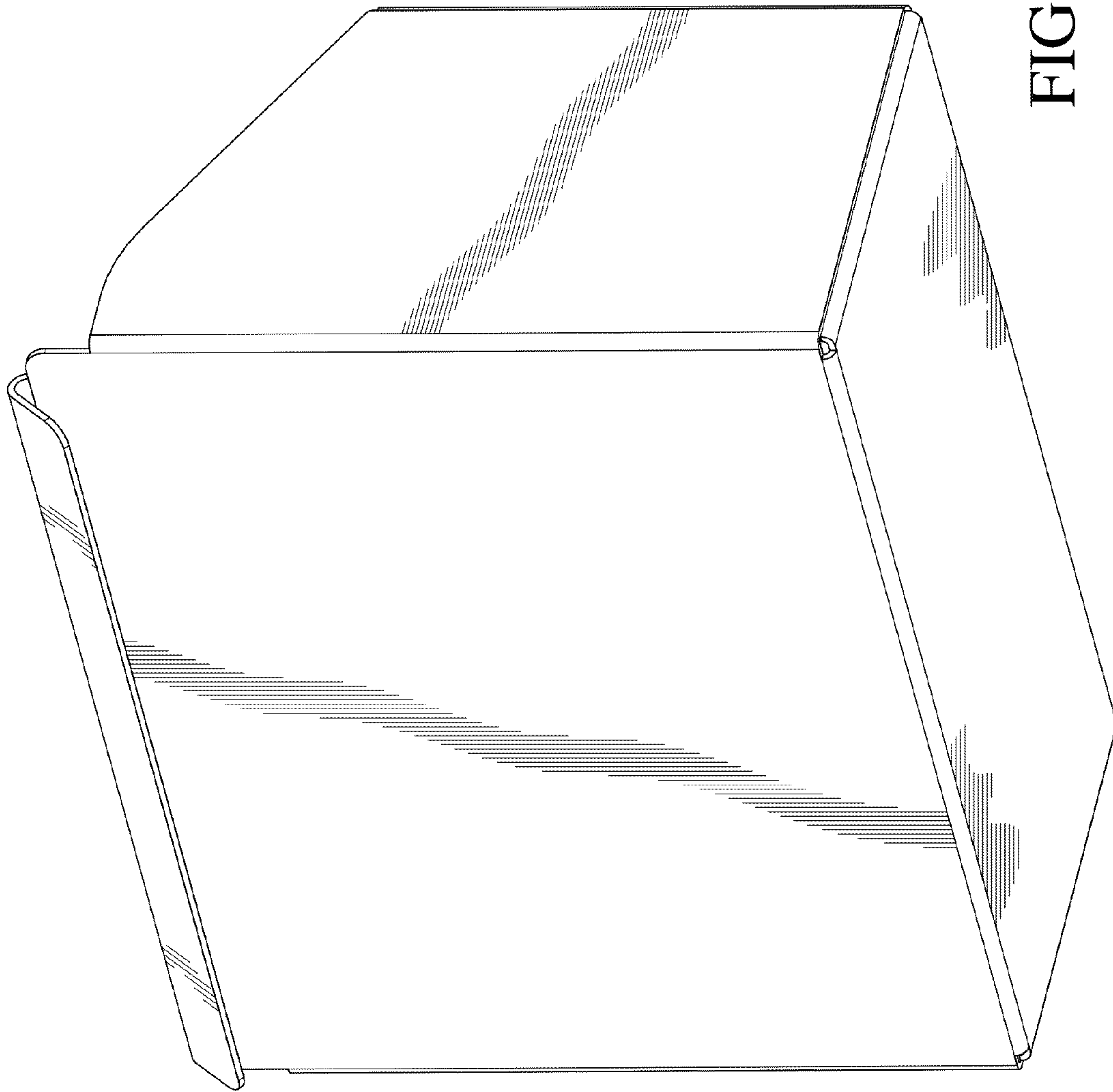


FIG. 2

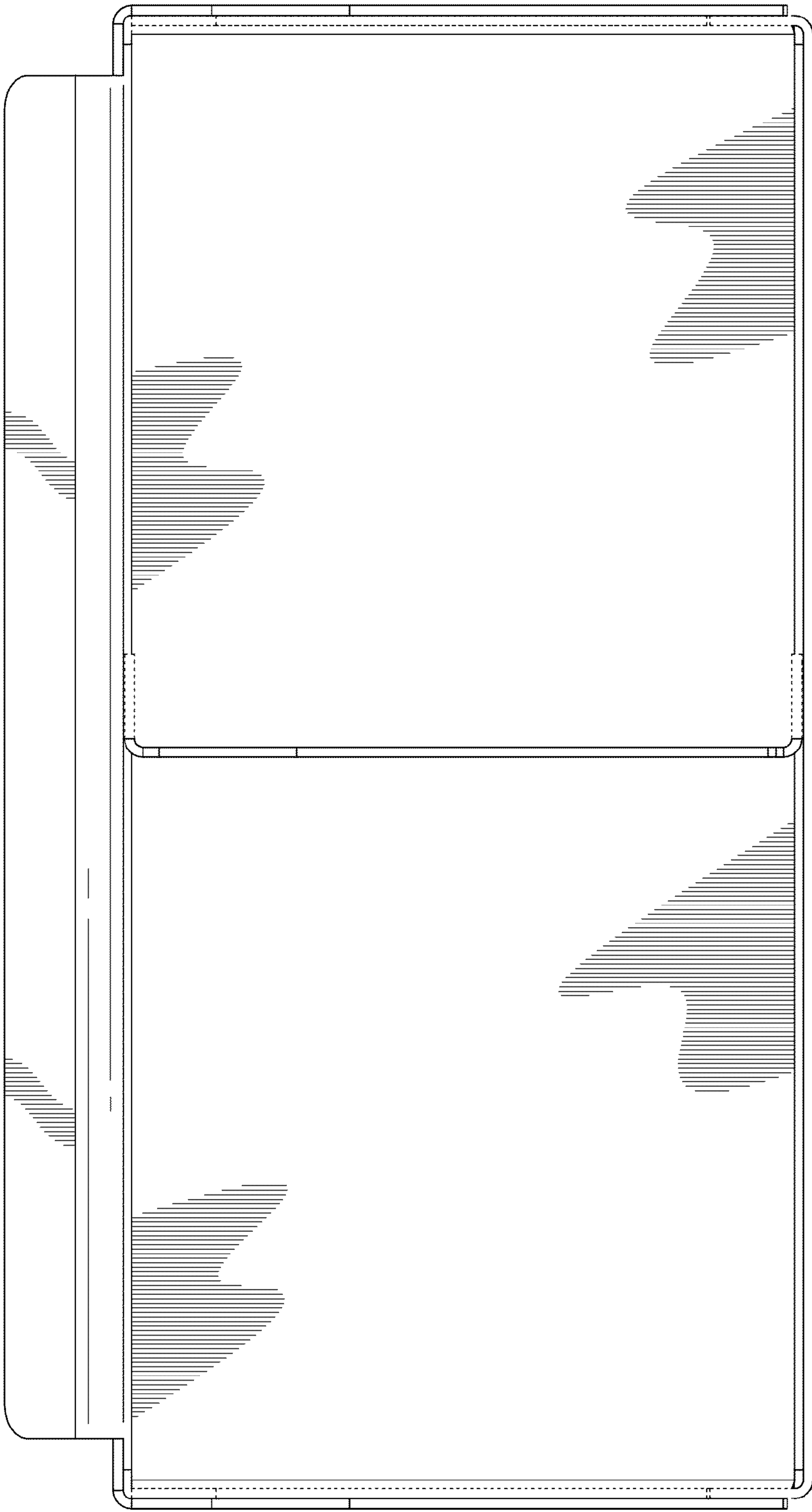


FIG. 3

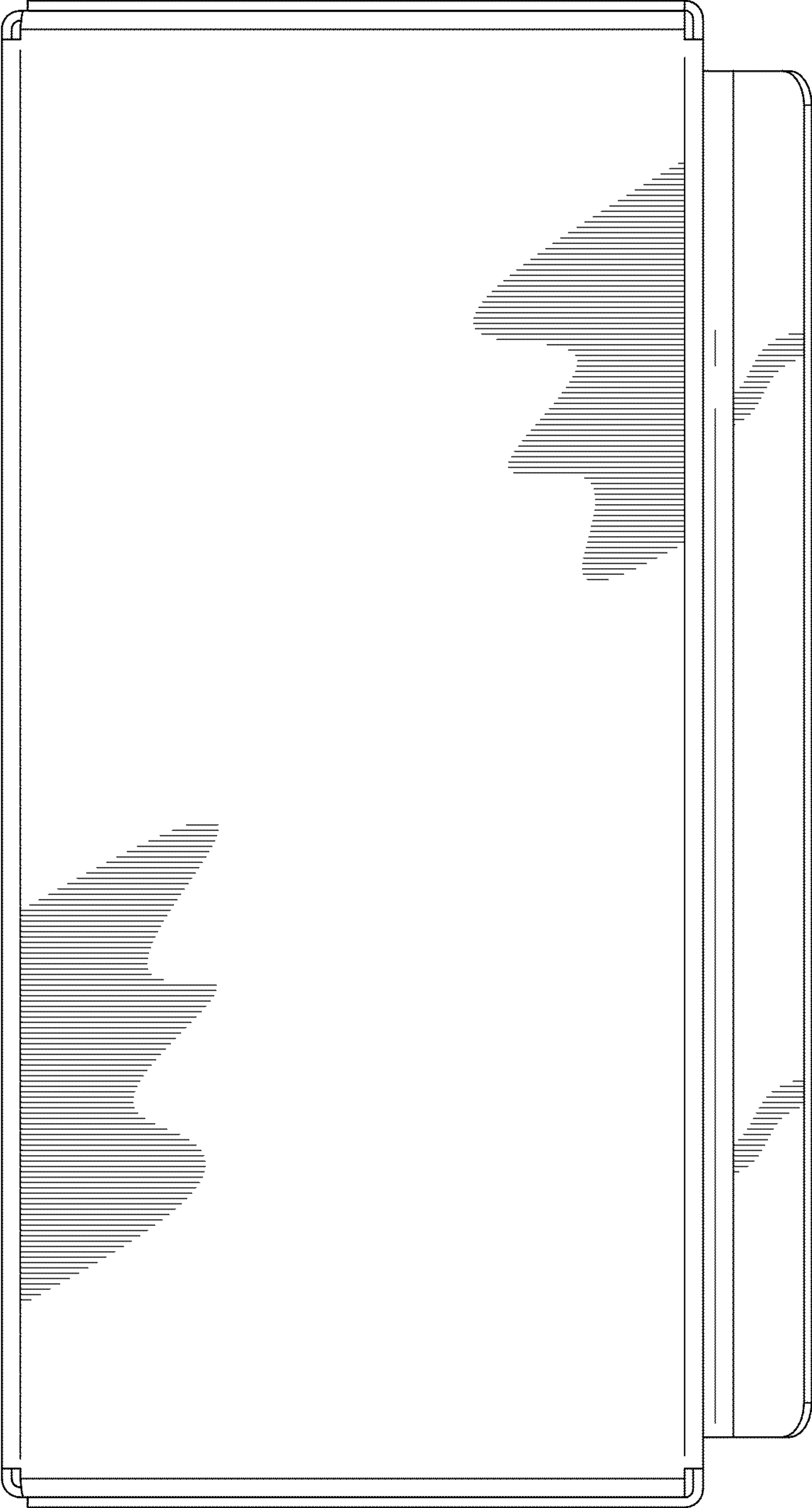


FIG. 4

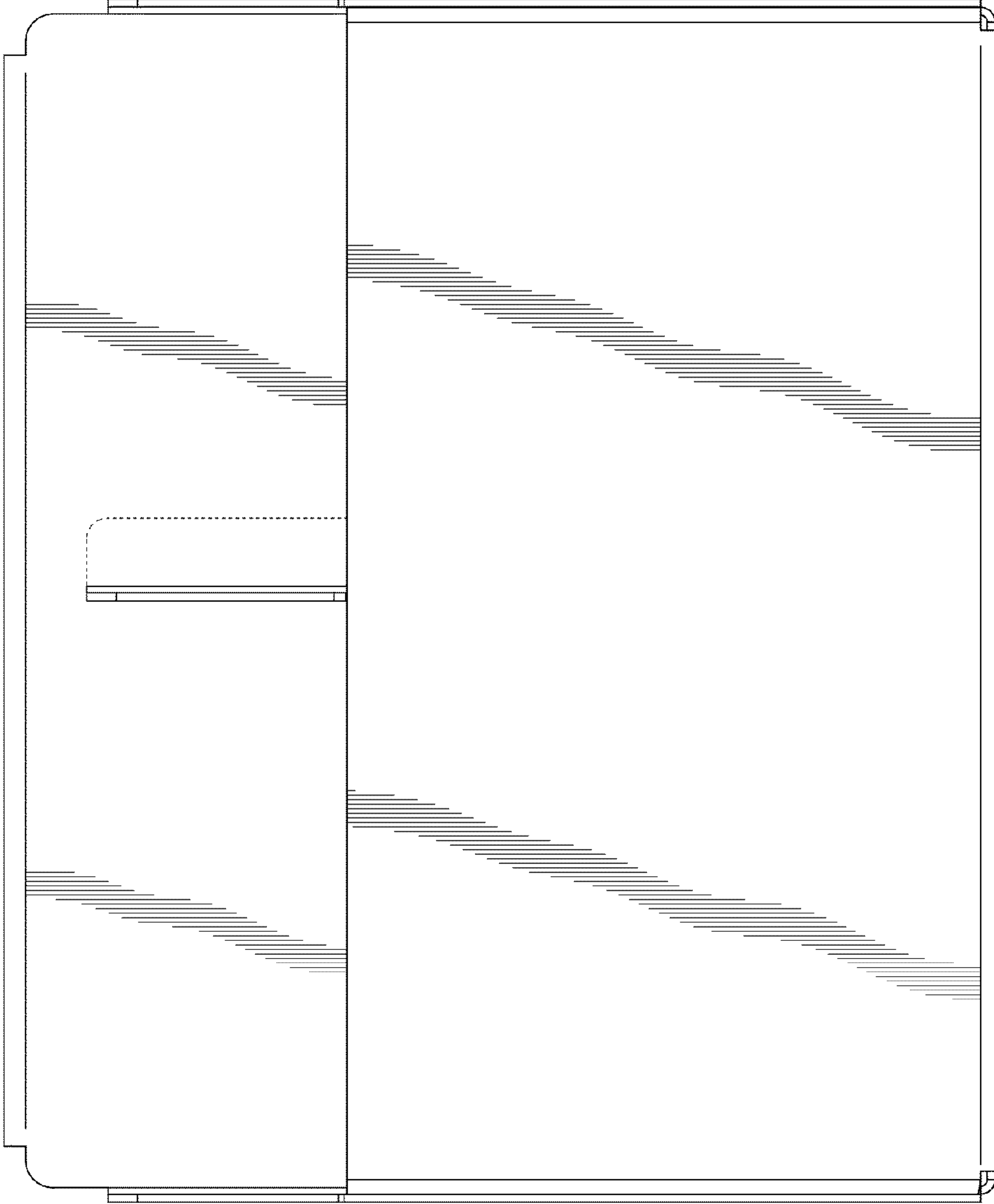


FIG. 5

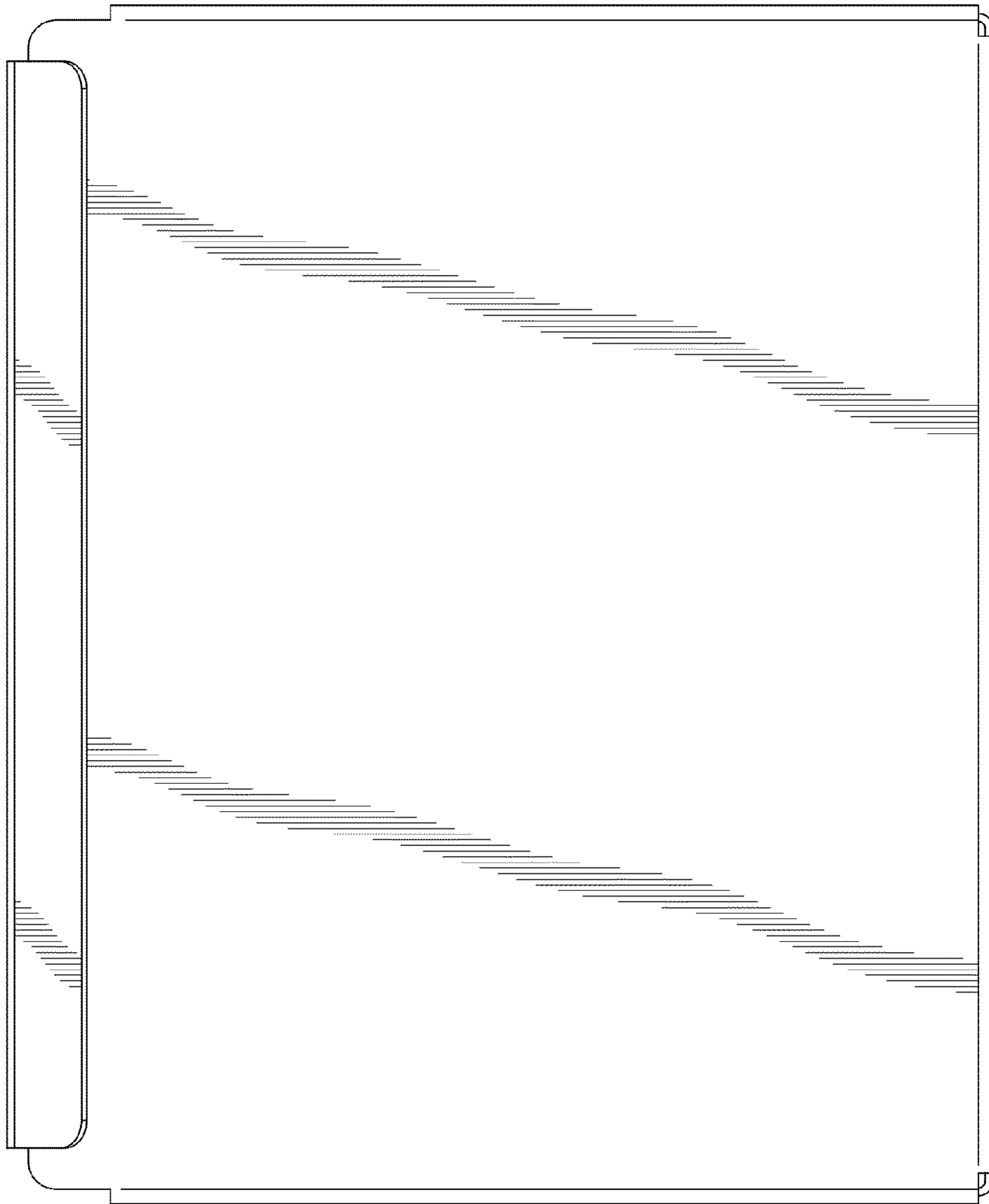


FIG. 6

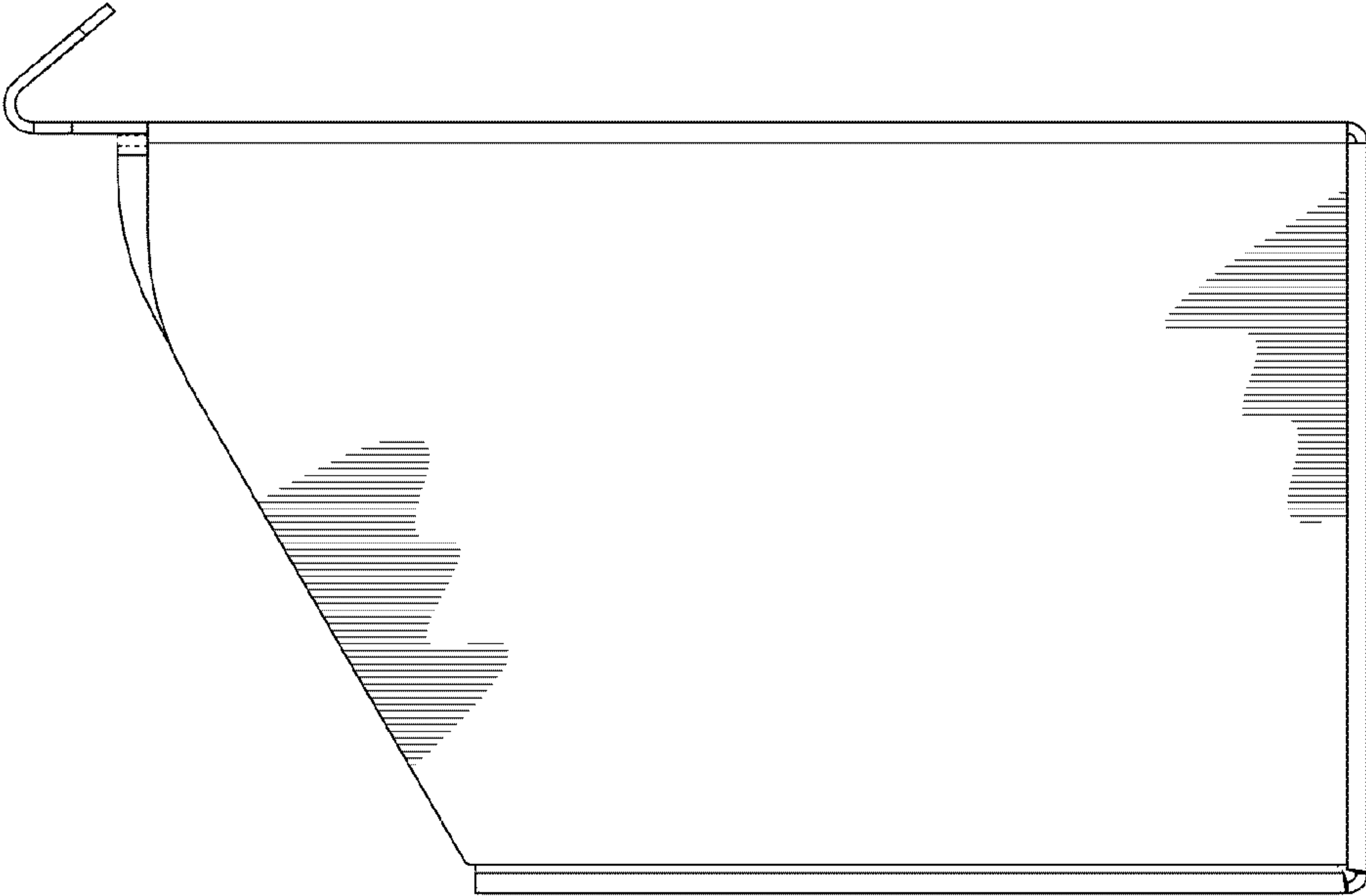


FIG. 7

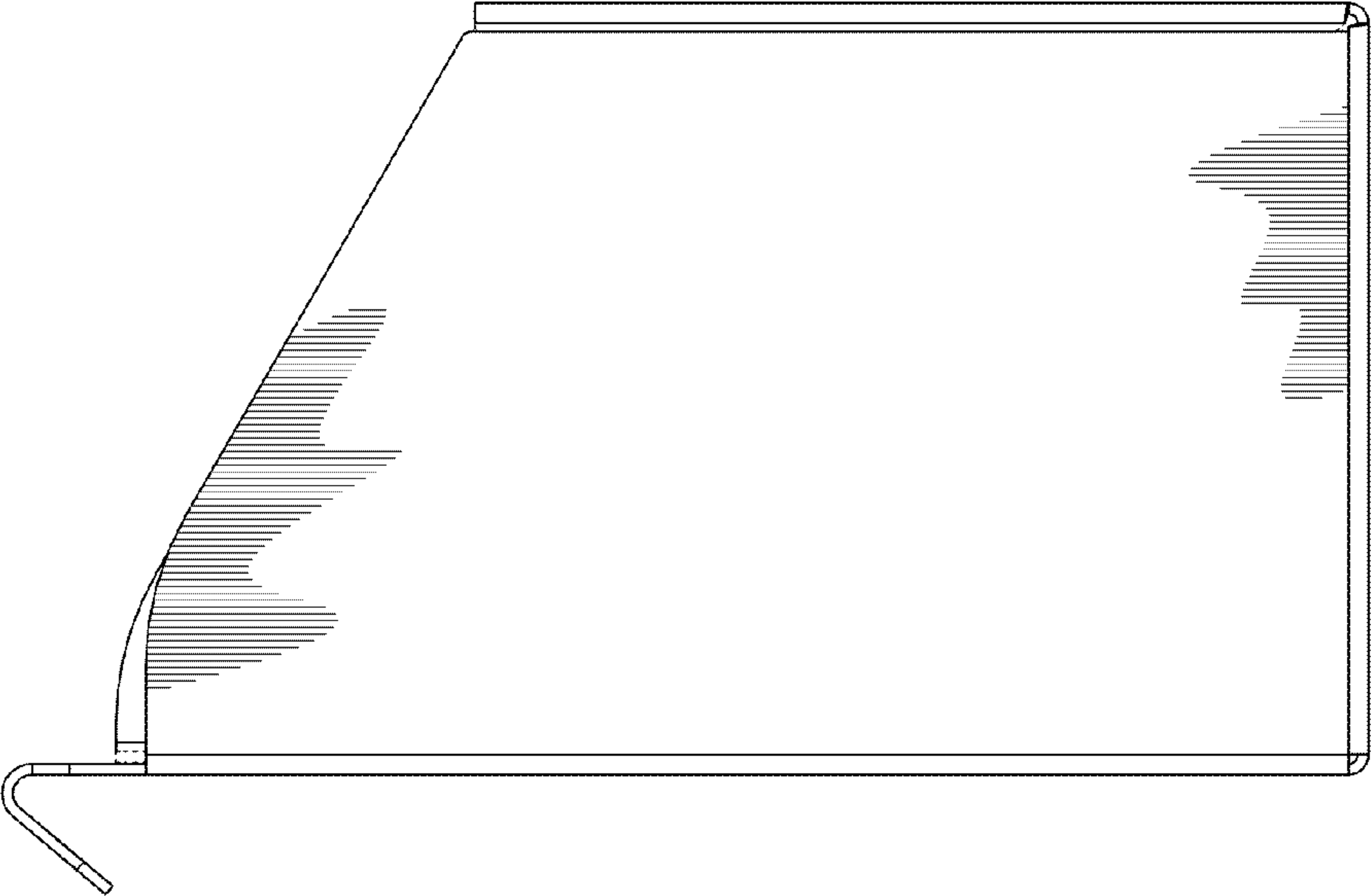


FIG. 8

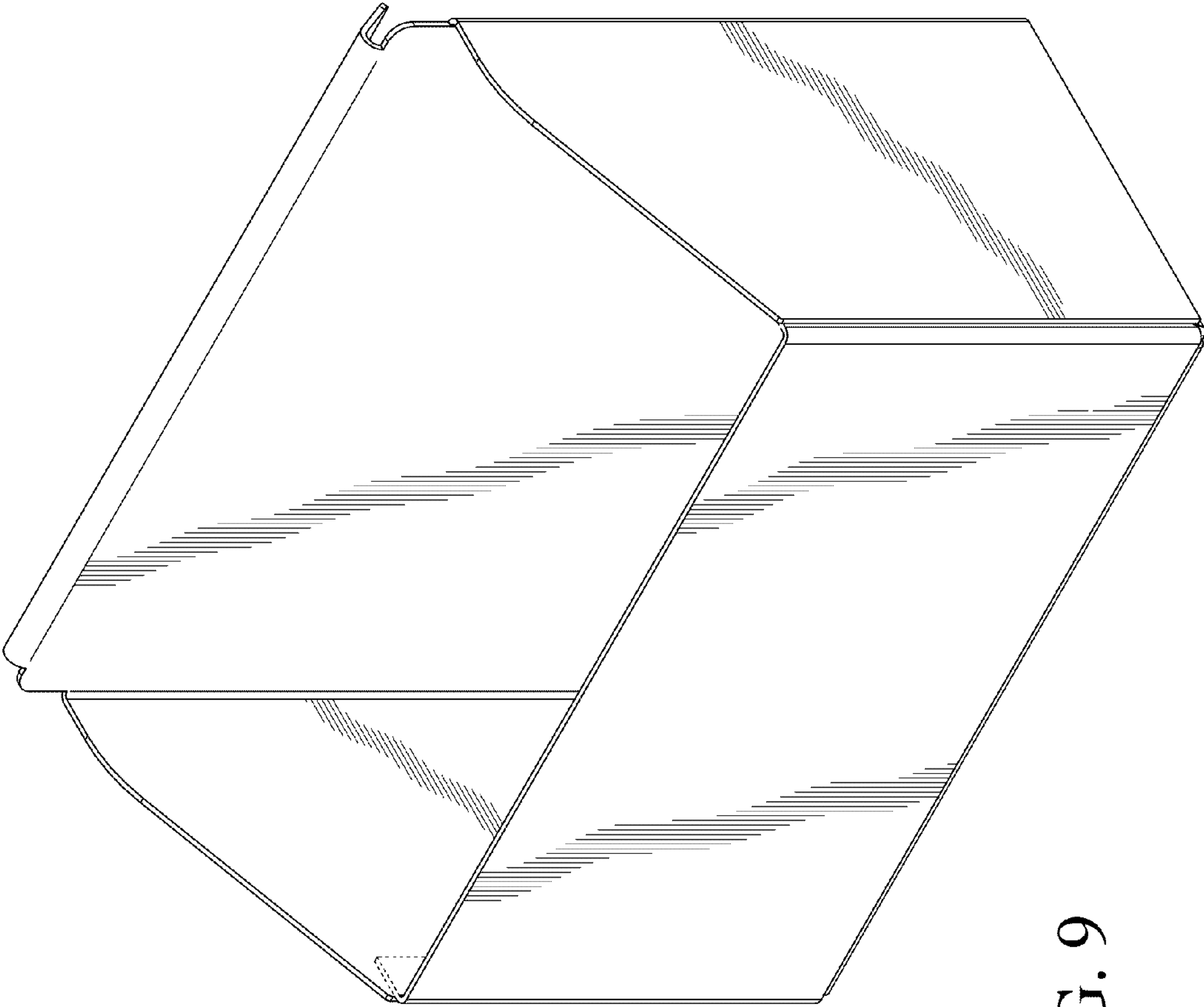


FIG. 9

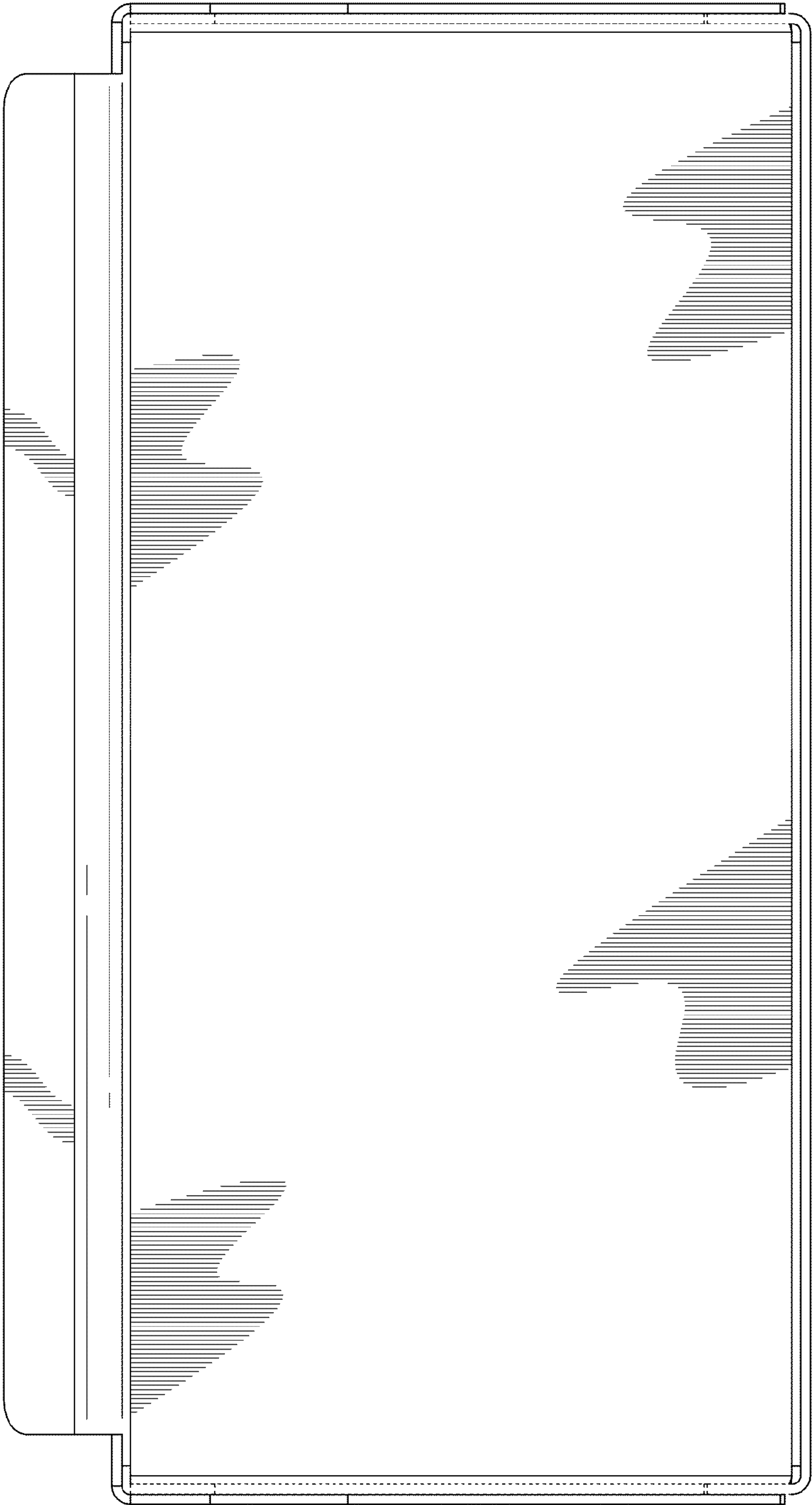


FIG. 10

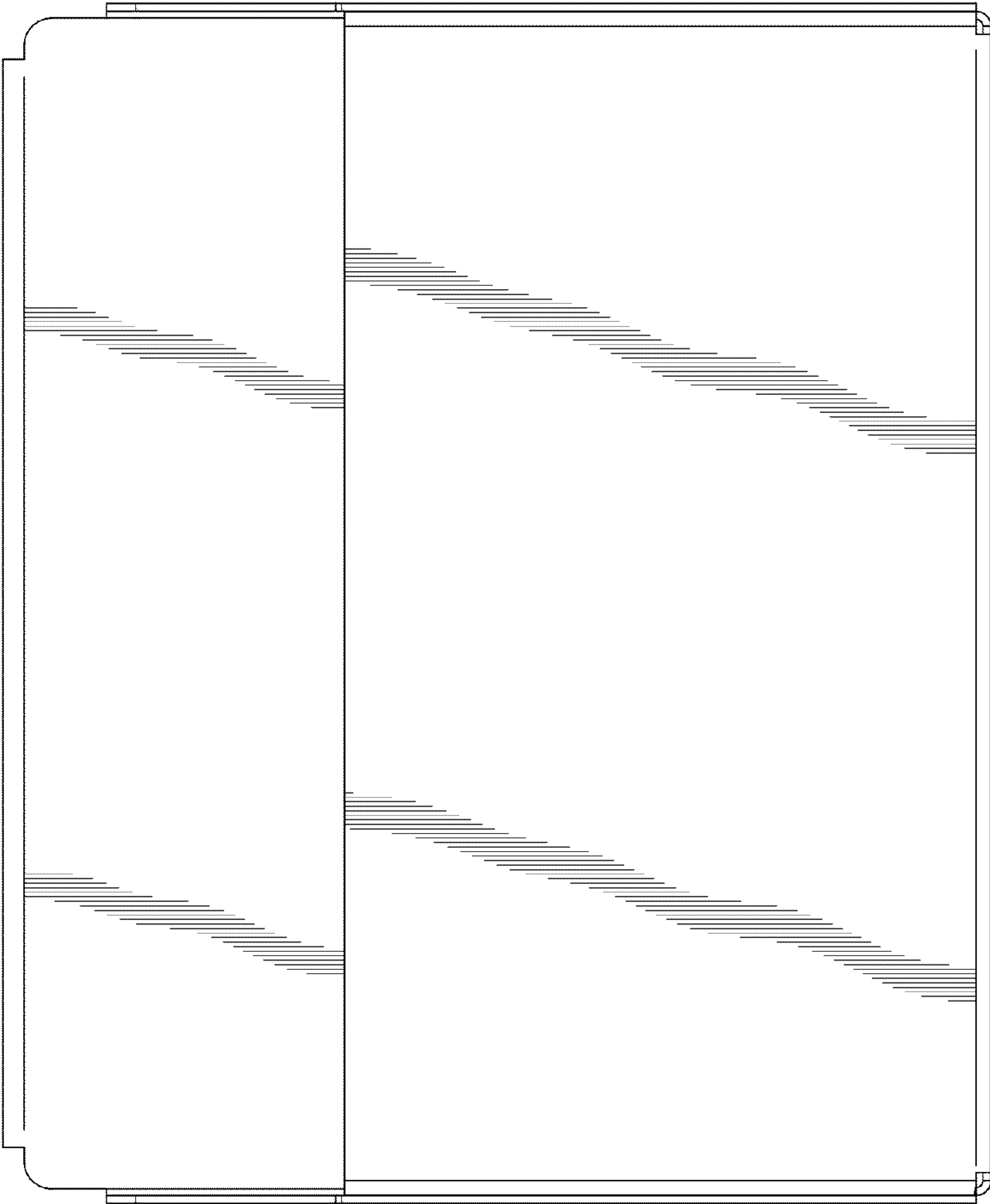


FIG. 11

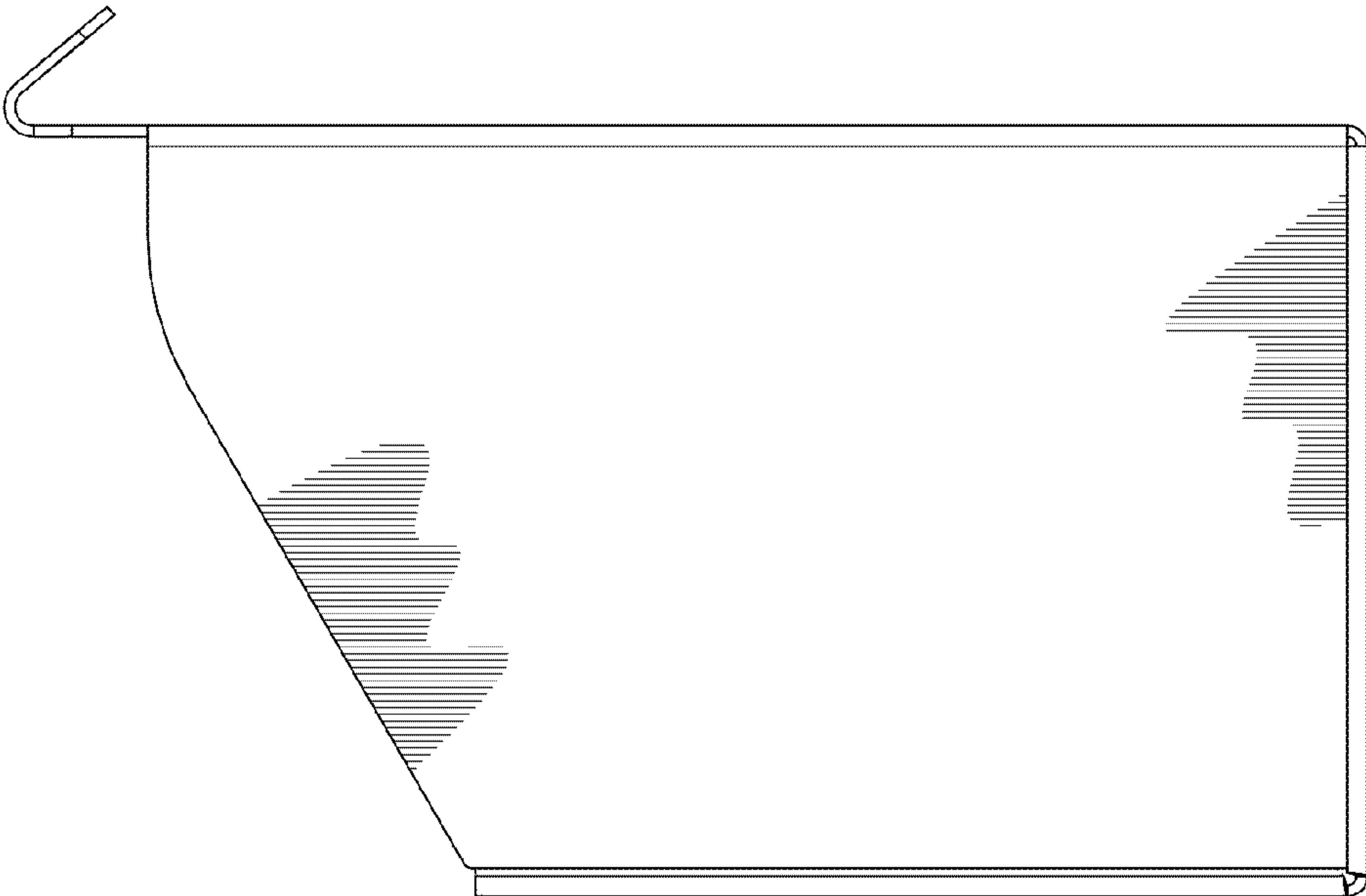


FIG. 12

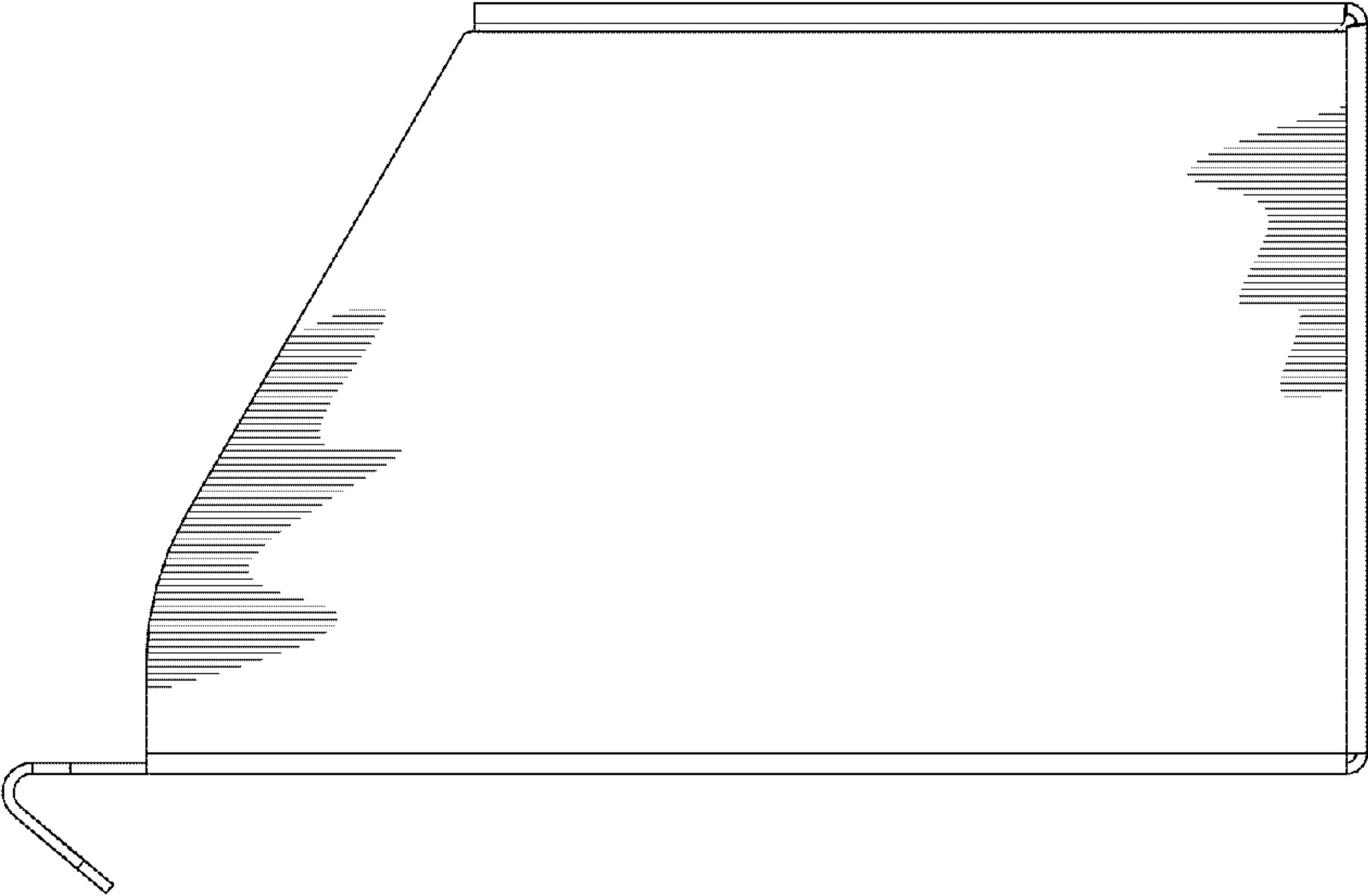


FIG. 13

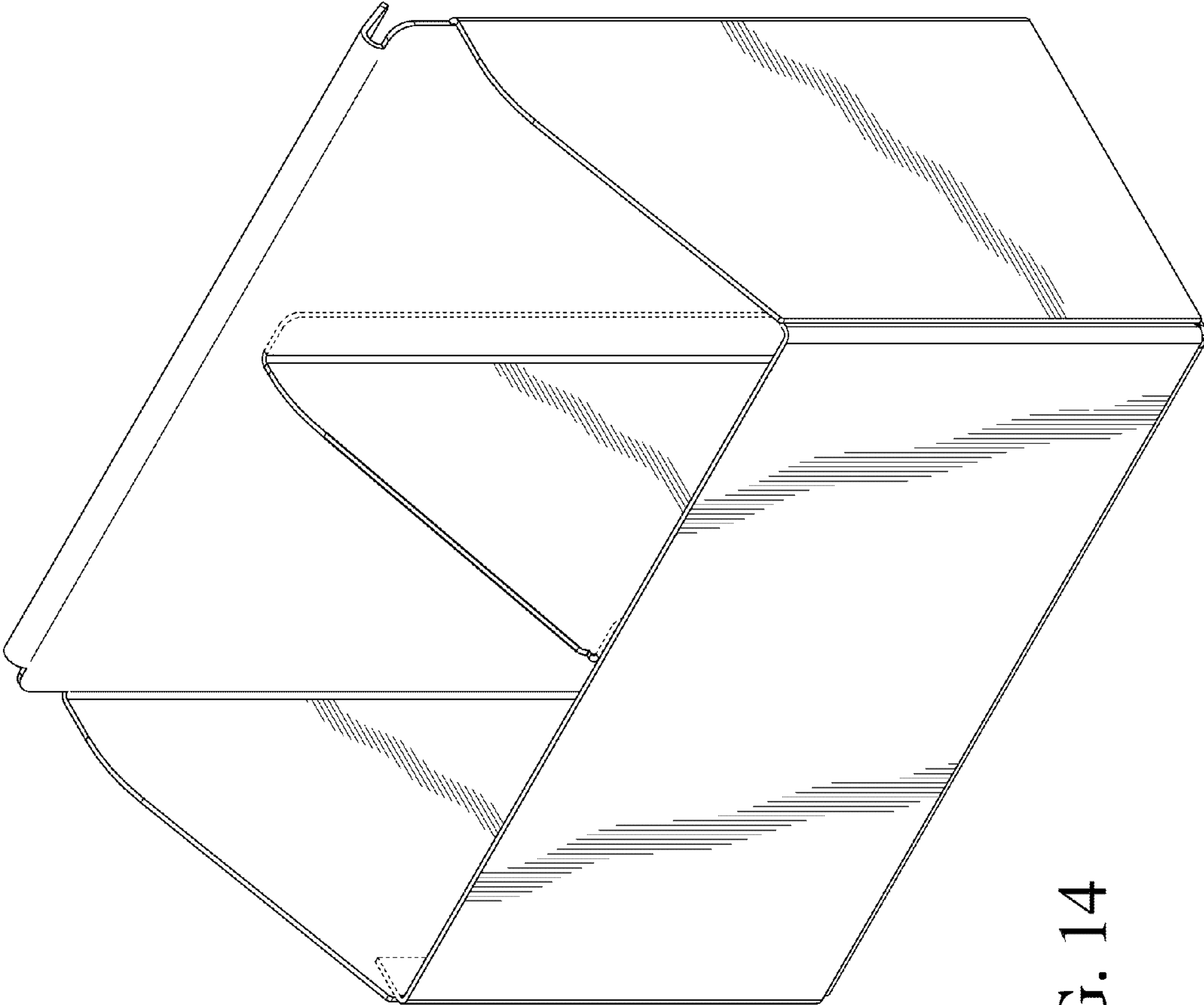


FIG. 14

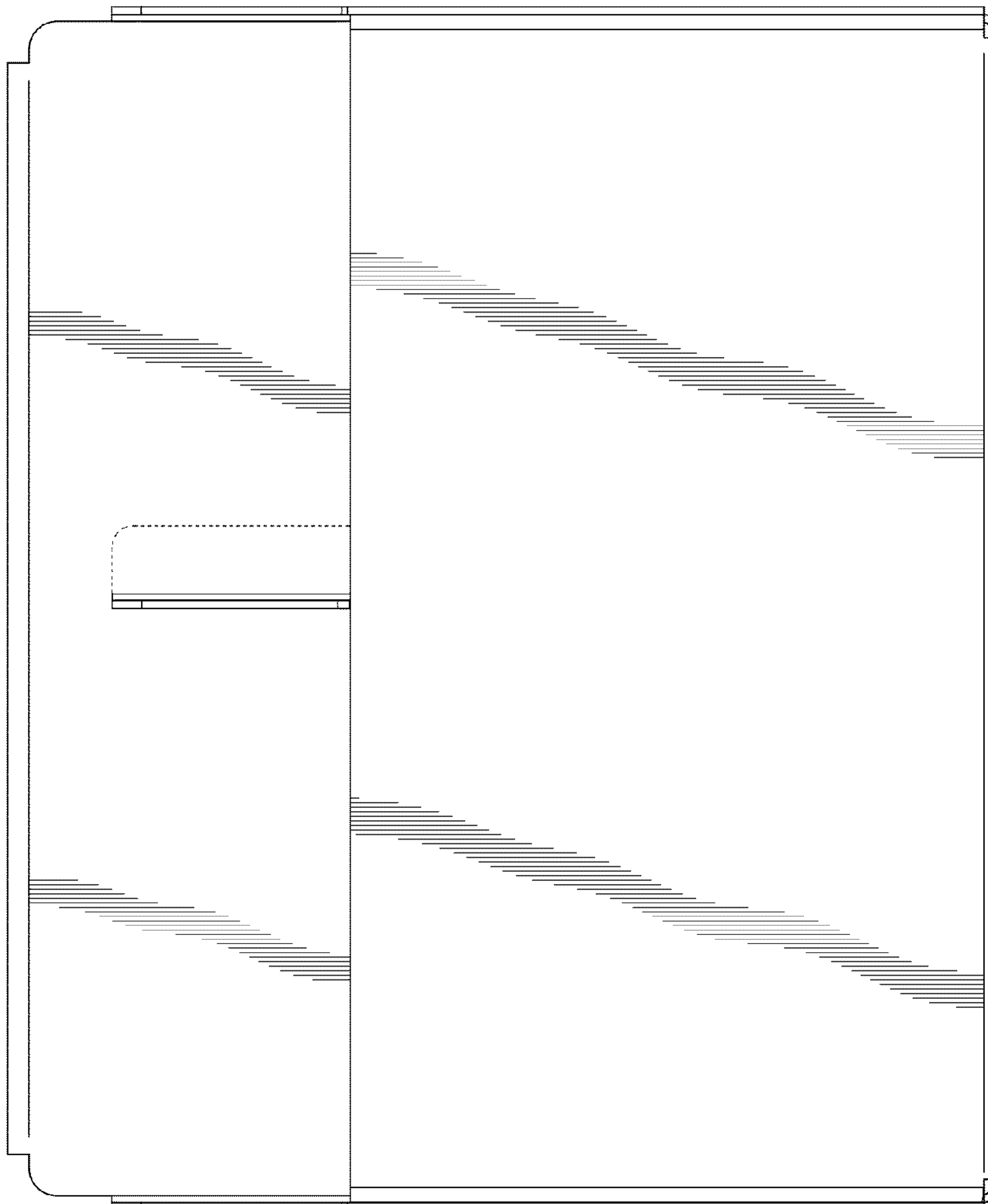


FIG. 15

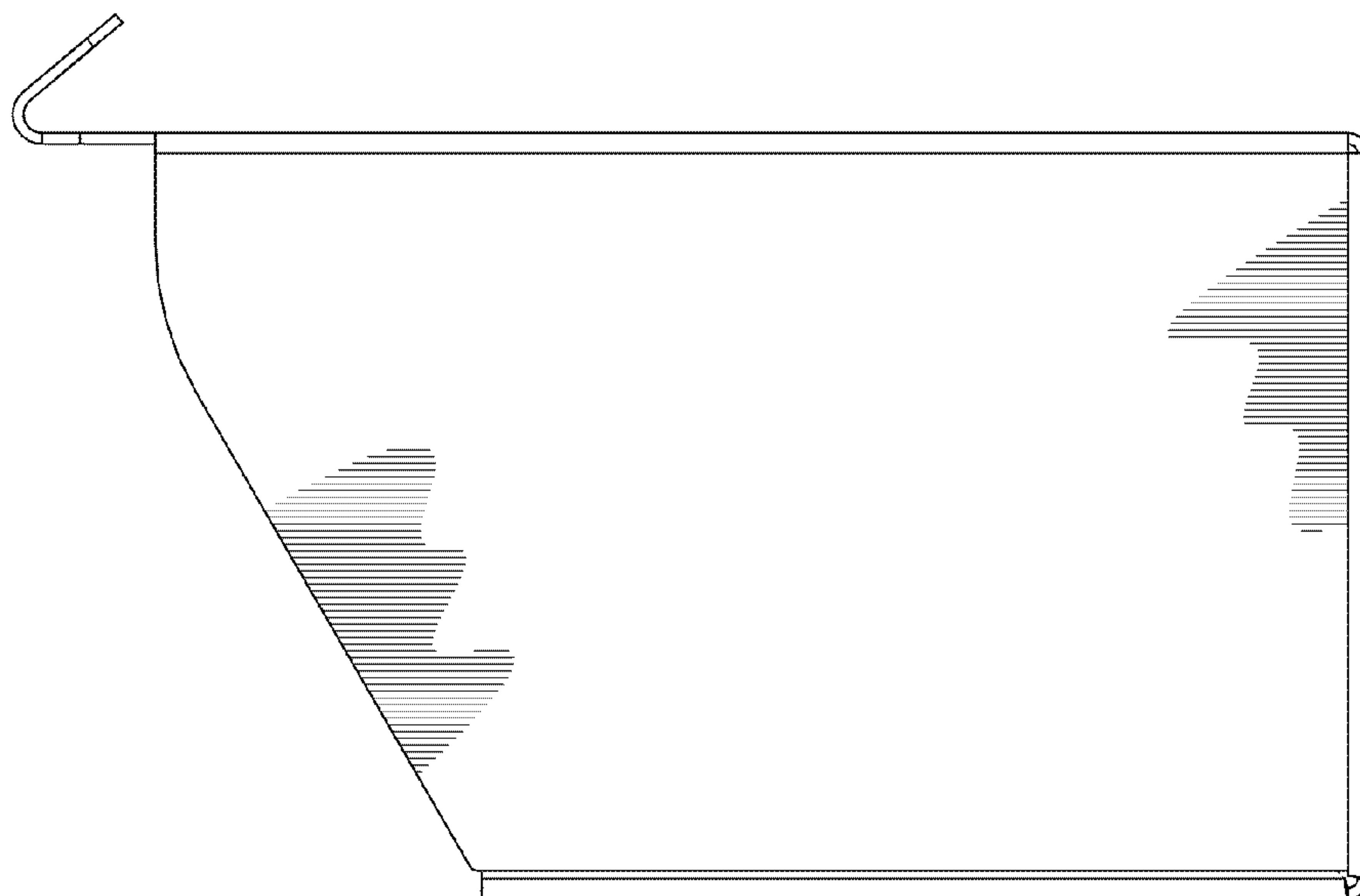


FIG. 16

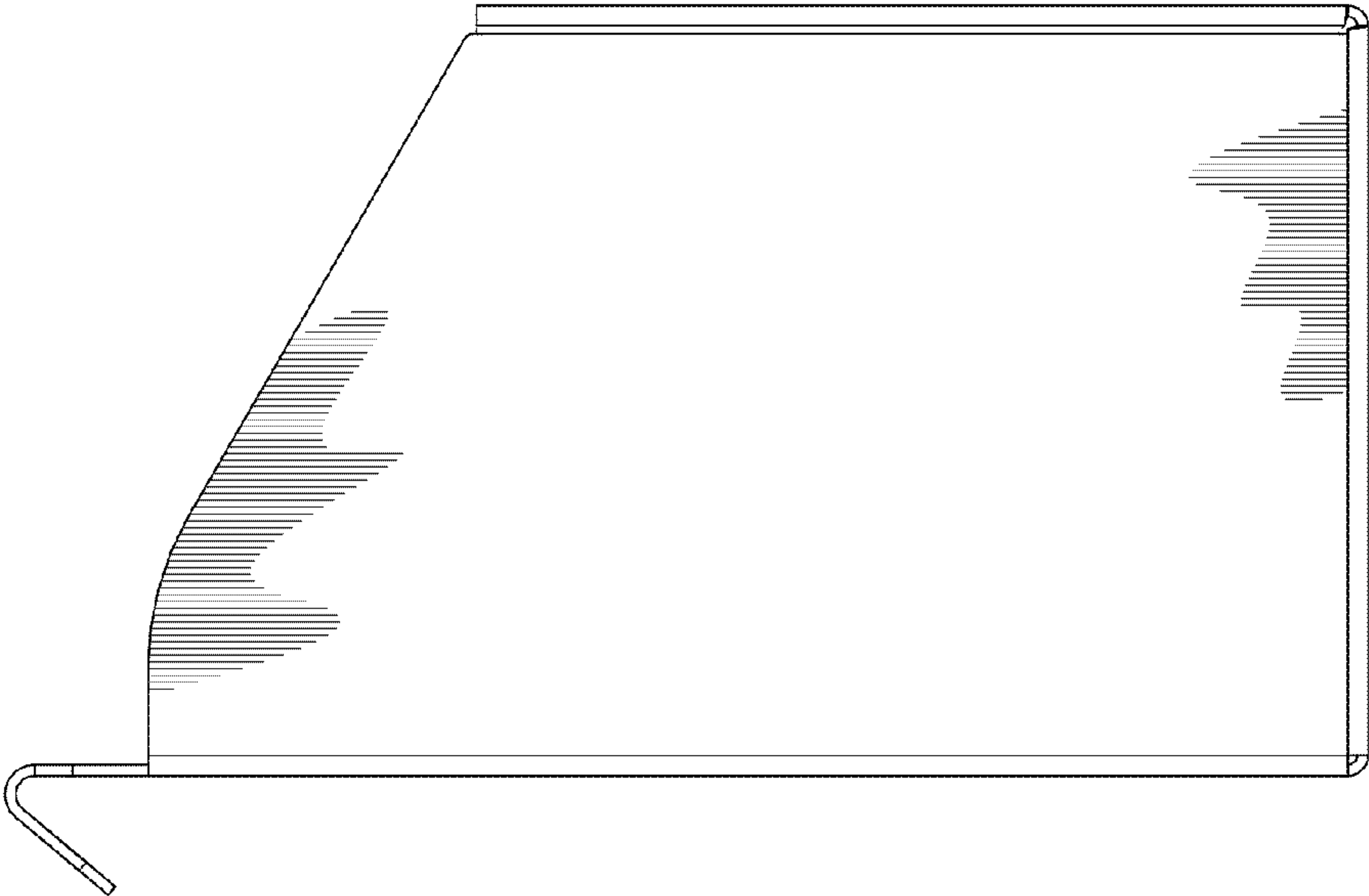


FIG. 17