



US00D681118S

(12) **United States Design Patent**  
**Mueller et al.**

(10) **Patent No.:** **US D681,118 S**

(45) **Date of Patent:** **\*\* Apr. 30, 2013**

(54) **TAPE DISPENSER**

(75) Inventors: **Gerald E. Mueller**, Eagan, MN (US);  
**Shaelyn D. Crutchley**, St. Paul, MN  
(US); **Christopher R. Kokaisel**,  
Woodbury, MN (US); **Karim Rashid**,  
New York, NY (US)

(73) Assignee: **3M Innovative Properties Company**,  
St. Paul, MN (US)

(\*\*) Term: **14 Years**

(21) Appl. No.: **29/427,058**

(22) Filed: **Jul. 13, 2012**

(51) **LOC (9) Cl.** ..... **19-02**

(52) **U.S. Cl.**

USPC ..... **D19/69**

(58) **Field of Classification Search** ..... D19/70,  
D19/69, 36, 68; 242/588.6, 588.2; 225/77,  
225/6, 56, 39, 26, 25, 19, 11; 206/411; 156/577,  
156/527, 523

See application file for complete search history.

(56) **References Cited**

**U.S. PATENT DOCUMENTS**

4,088,276	A	*	5/1978	Littleton	.....	242/396.5
4,459,058	A	*	7/1984	Bennett	.....	401/88
D280,667	S	*	9/1985	Bennett	.....	D28/7
D340,625	S	*	10/1993	Wang	.....	D7/629
D442,993	S	*	5/2001	Eisen	.....	D19/73
D466,940	S	*	12/2002	Gstalder	.....	D19/73
D479,689	S	*	9/2003	Altonen et al.	.....	D9/516
D555,734	S	*	11/2007	Nash et al.	.....	D19/86

D568,692	S	*	5/2008	Lam	.....	D7/629
D586,675	S	*	2/2009	Wagner et al.	.....	D10/72
D590,444	S	*	4/2009	Farnworth et al.	.....	D19/73
D590,888	S	*	4/2009	Newbould et al.	.....	D19/69
D616,941	S	*	6/2010	Bradfield	.....	D19/69
D638,880	S	*	5/2011	Rashid et al.	.....	D19/69
D643,879	S	*	8/2011	Rashid	.....	D19/86
D656,548	S	*	3/2012	Packard et al.	.....	D19/69
D671,596	S	*	11/2012	Ruthe-Steinsiek	.....	D19/69

\* cited by examiner

*Primary Examiner* — Austin Murphy

(74) *Attorney, Agent, or Firm* — Irina Hass

(57) **CLAIM**

The ornamental design for a tape dispenser, as shown and described.

**DESCRIPTION**

FIG. 1 is a perspective view of a tape dispenser showing the new design;

FIG. 2 is a top view thereof;

FIG. 3 is a bottom view thereof;

FIG. 4 is a front view thereof;

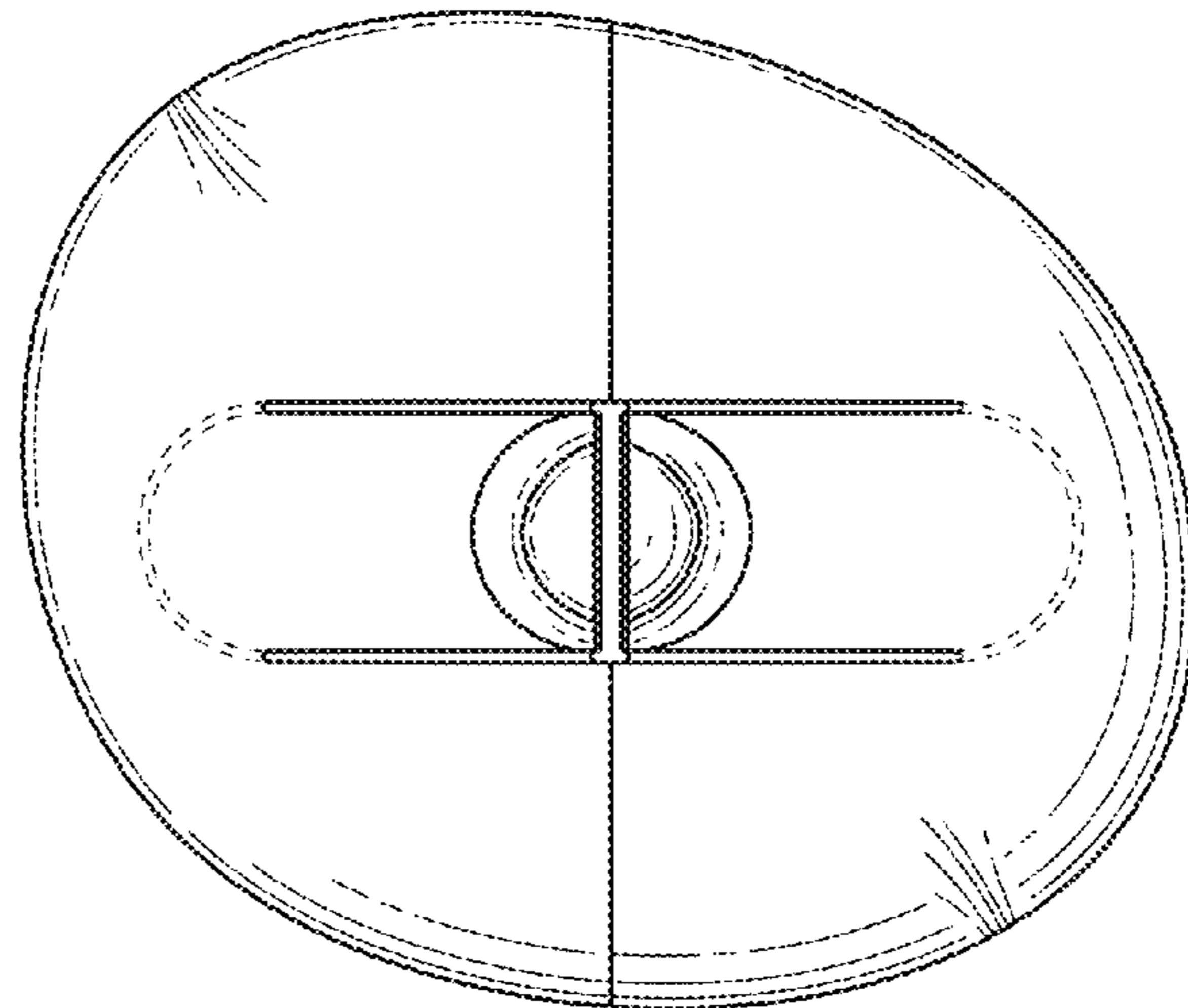
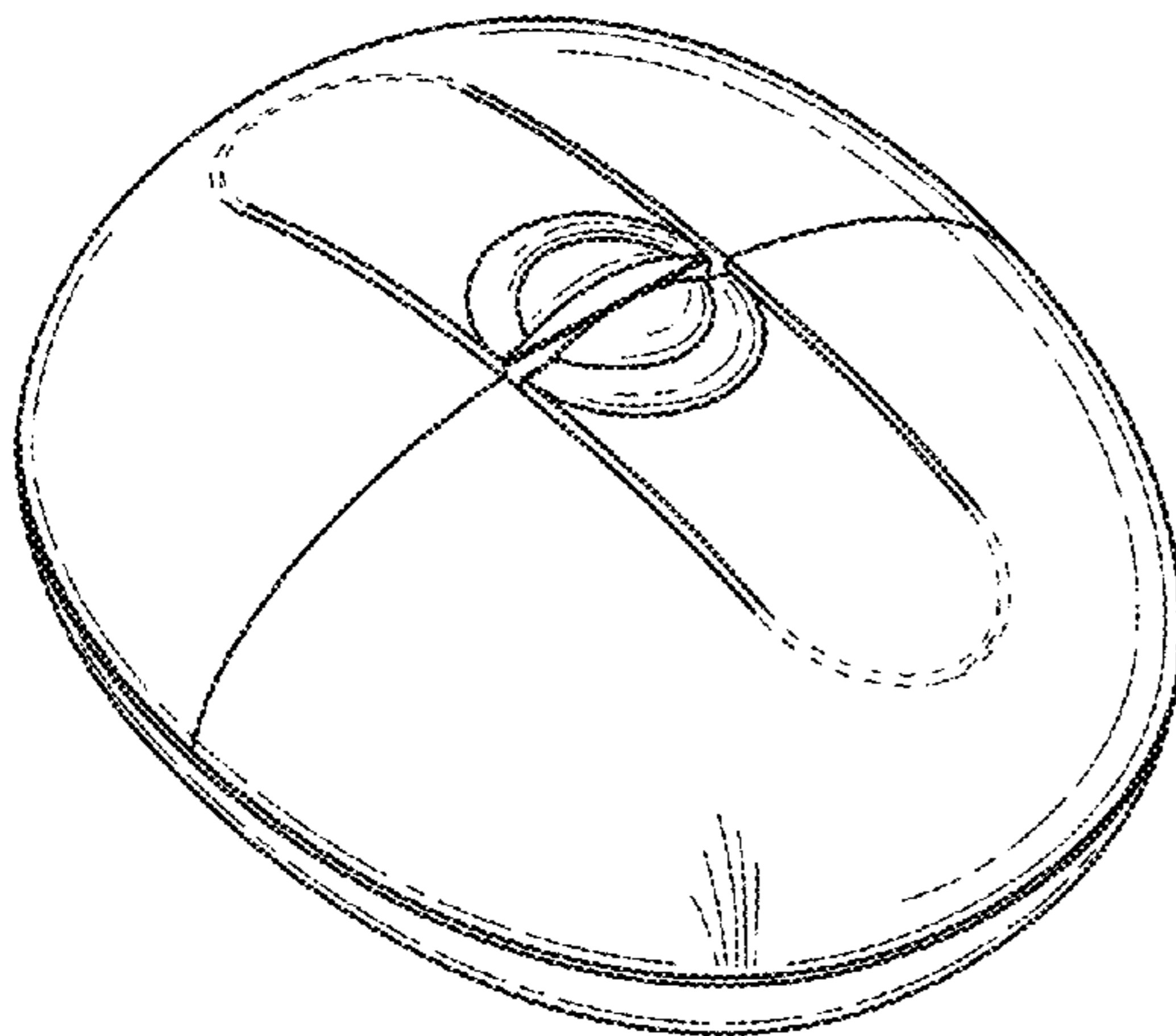
FIG. 5 is a rear view thereof;

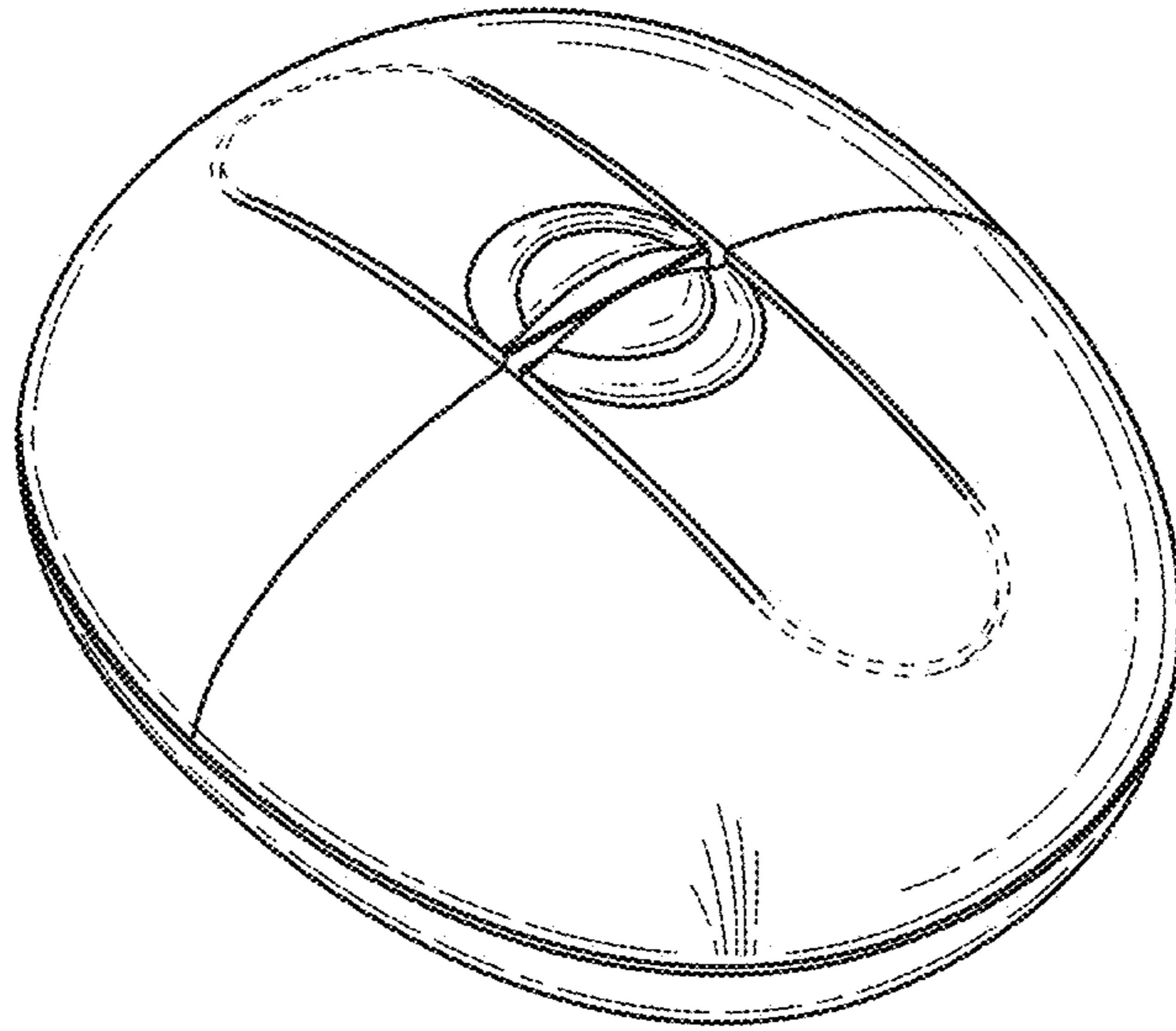
FIG. 6 is a right side view thereof; and,

FIG. 7 is a left side view thereof.

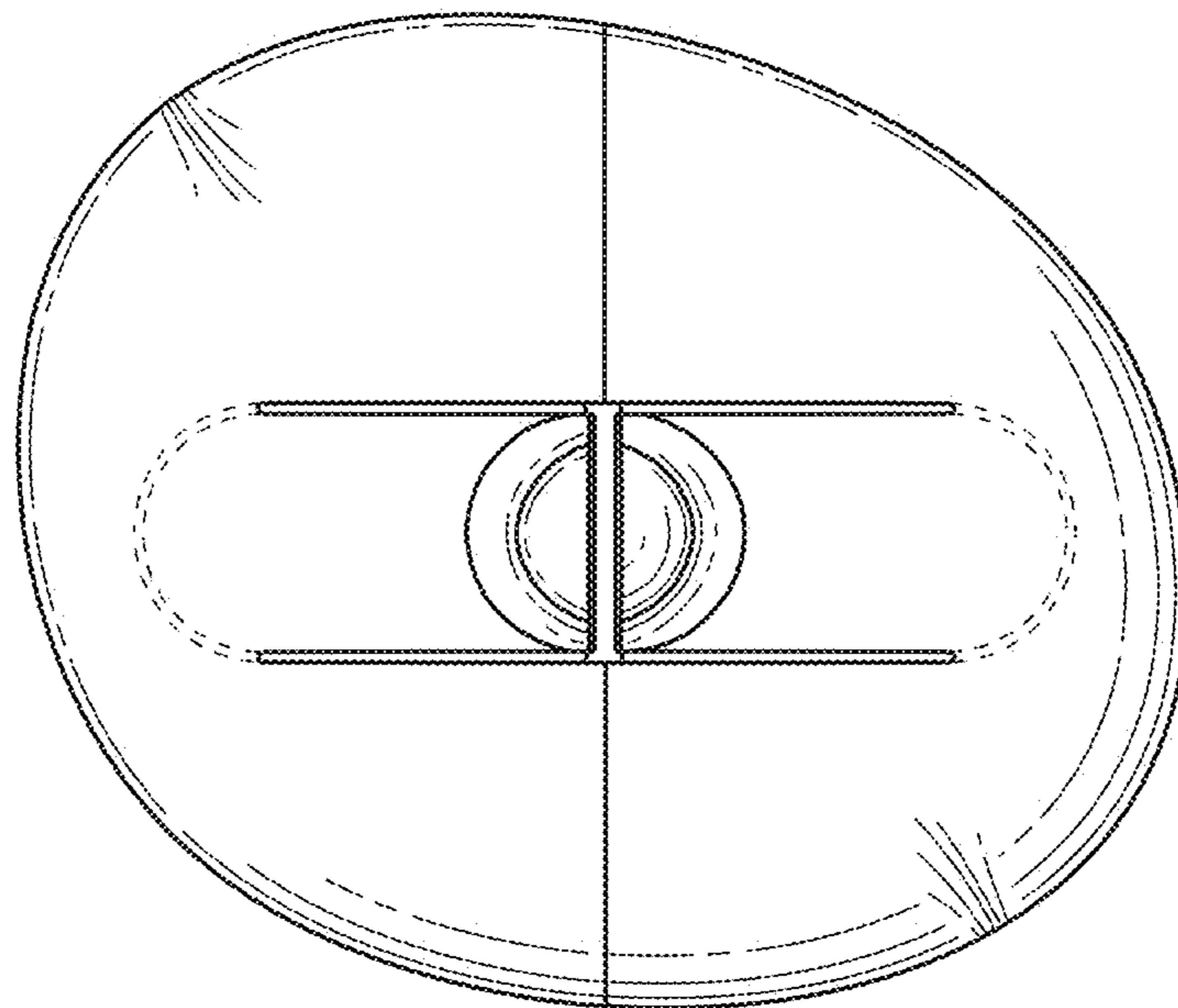
The broken lines in the drawings are shown for illustrative purposes only and form no part of the claimed design. In addition, the surface shading illustrated in the drawings is provided merely to highlight the contour of design; it is not intended to be illustrative of texture or gloss.

**1 Claim, 3 Drawing Sheets**

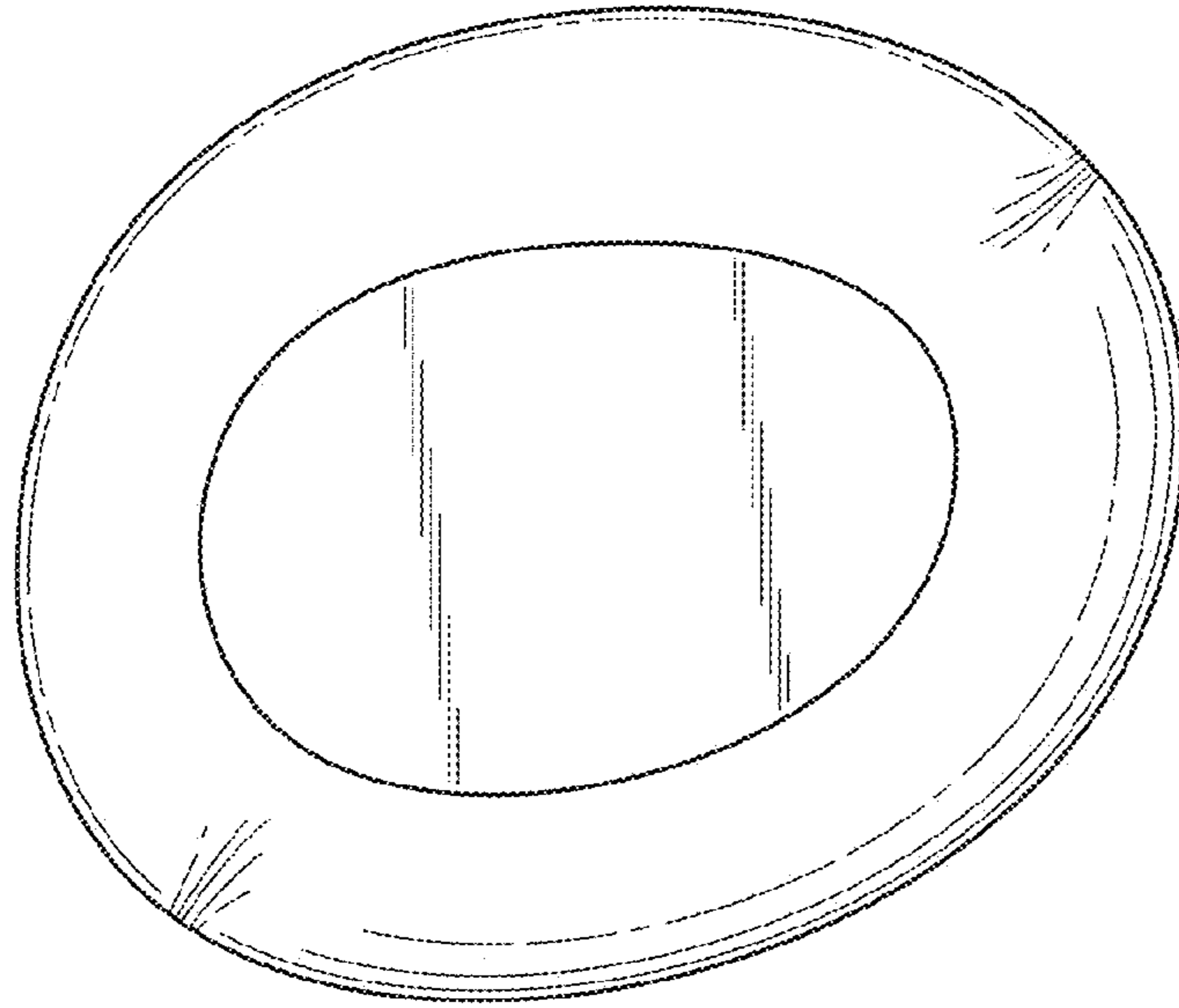




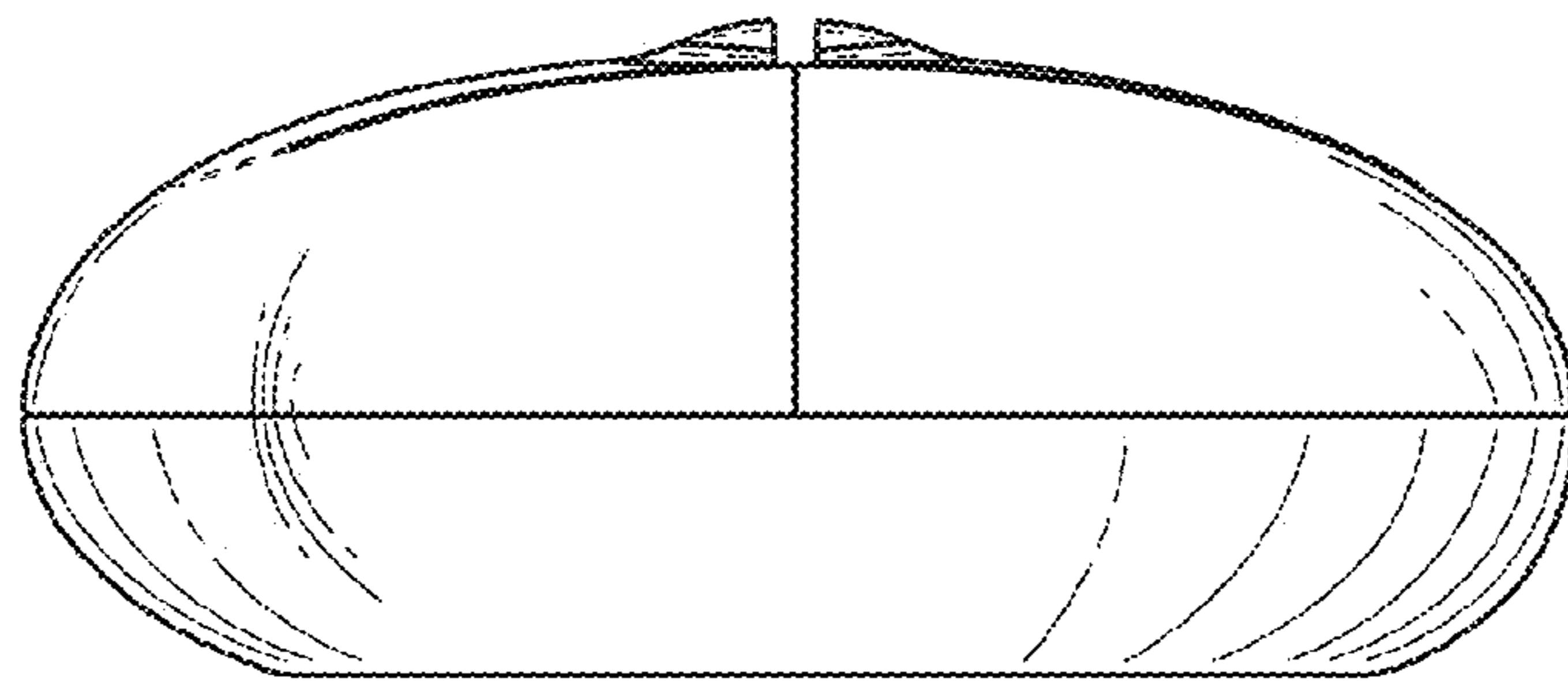
*Fig. 1*



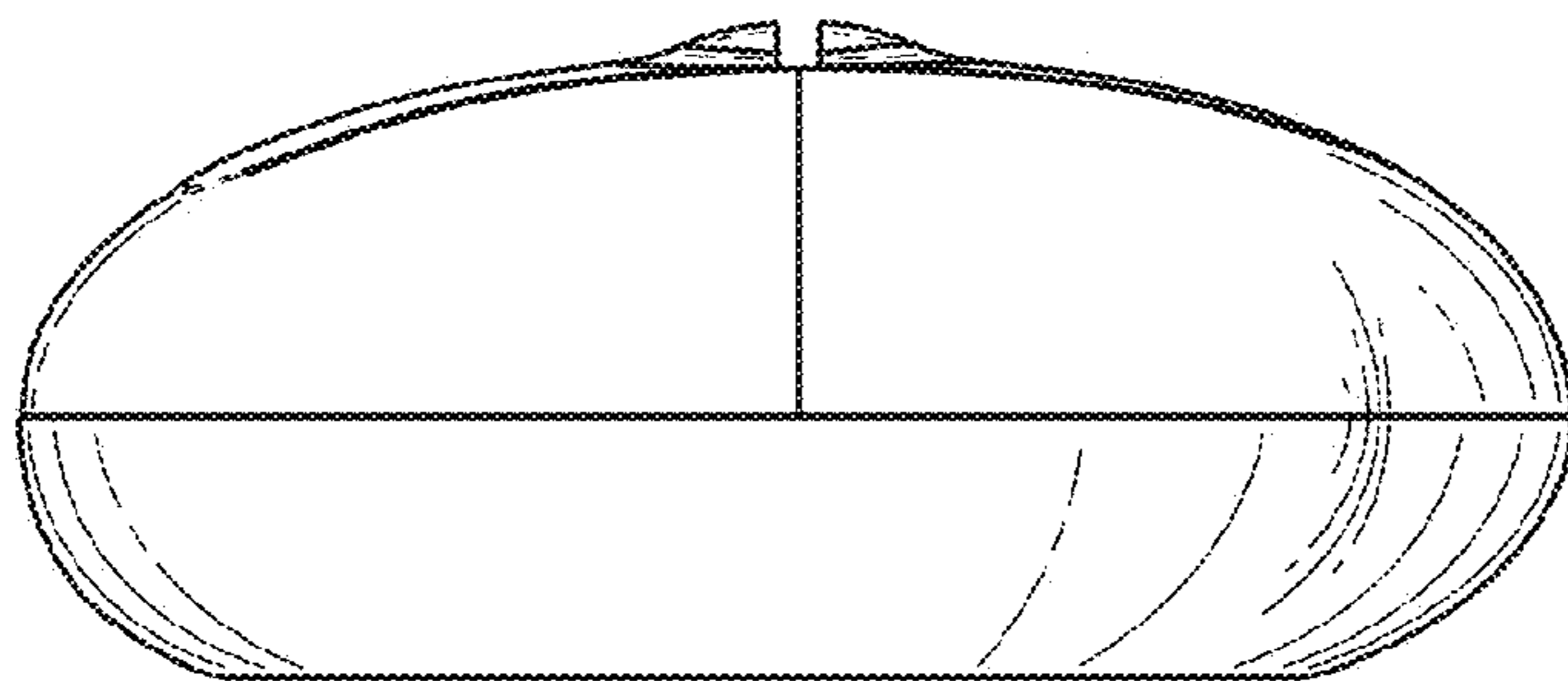
*Fig. 2*



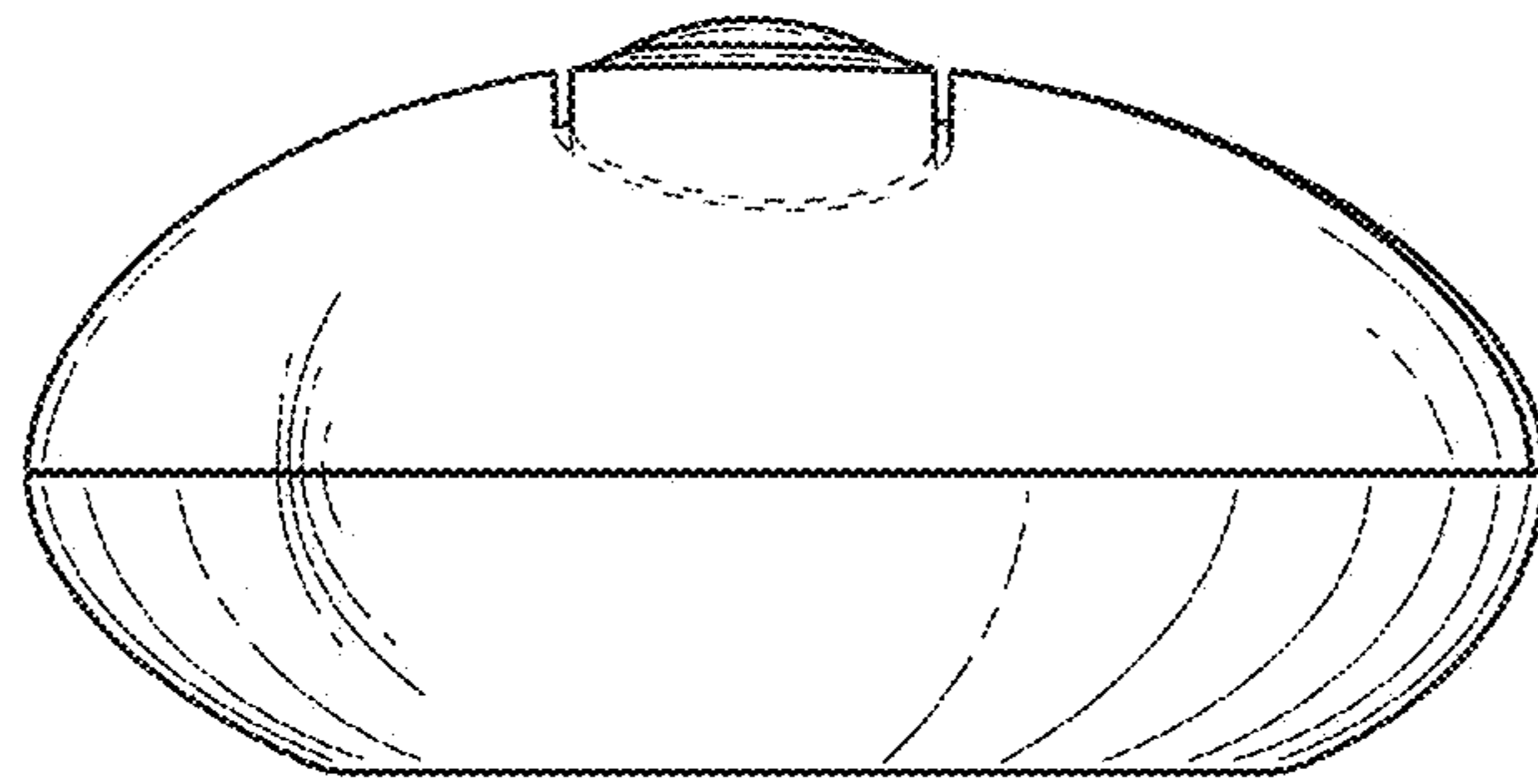
*Fig. 3*



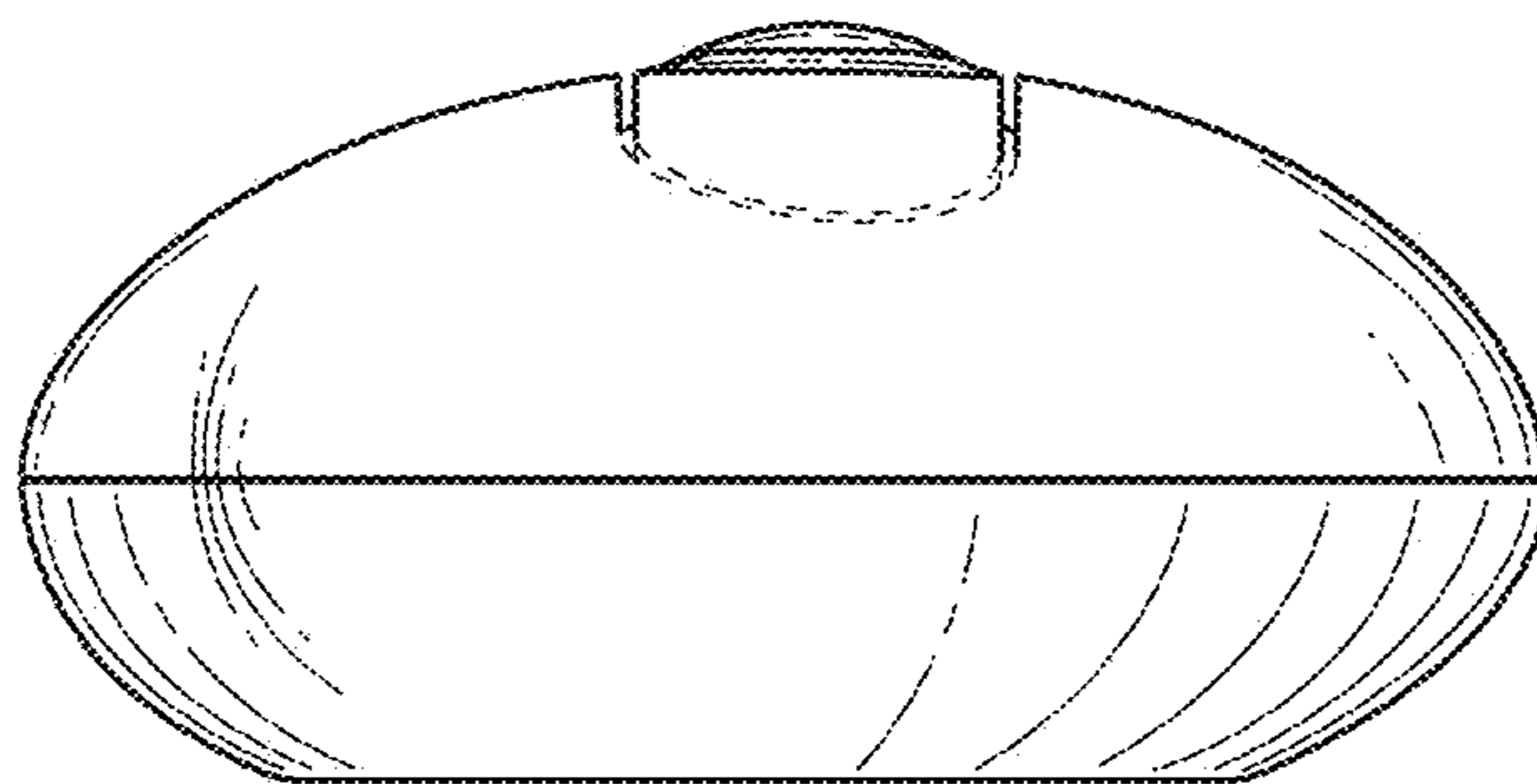
*Fig. 4*



*Fig. 5*



*Fig. 6*



*Fig. 7*