



US00D681113S

(12) **United States Design Patent**  
**Huang**

(10) **Patent No.:** **US D681,113 S**

(45) **Date of Patent:** **\*\* Apr. 30, 2013**

- (54) **DUAL-PURPOSE TOUCH PEN**
- (76) Inventor: **Chao Kuang Huang**, Taichung (TW)
- (\*\*) Term: **14 Years**
- (21) Appl. No.: **29/405,057**
- (22) Filed: **Oct. 28, 2011**
- (51) **LOC (9) Cl.** ..... **19-06**
- (52) **U.S. Cl.**  
USPC ..... **D19/45**
- (58) **Field of Classification Search** ..... D14/411;  
D19/35, 36, 41-51, 54-58; 24/11 F, 11 P,  
24/11 R; 401/52, 99-109, 192, 195, 196  
See application file for complete search history.

3,335,706	A *	8/1967	Jenkins	.....	401/217
D383,162	S *	9/1997	Worther	.....	D19/49
D395,673	S *	6/1998	Baubil	.....	D19/51
6,542,437	B1 *	4/2003	Chen	.....	368/10
D552,175	S *	10/2007	Boerio	.....	D19/49
D587,310	S *	2/2009	Paslawski	.....	D19/49
D641,755	S *	7/2011	Rashid et al.	.....	D14/411
D660,910	S *	5/2012	Carpenter et al.	.....	D19/36
8,226,315	B1 *	7/2012	McKinley et al.	.....	401/195

\* cited by examiner

*Primary Examiner* — Elizabeth A Albert

(74) *Attorney, Agent, or Firm* — Lin & Associates IP, Inc.

(57) **CLAIM**

The ornamental design for a dual-purpose touch pen, as shown and described.

**DESCRIPTION**

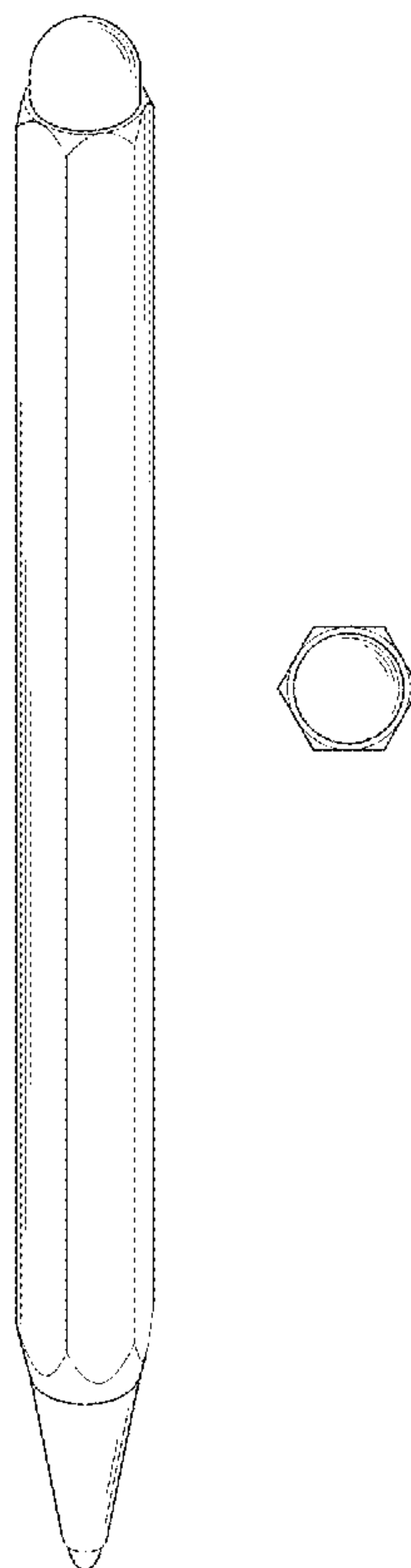
FIG. 1 is a perspective view of a dual-purpose touch pen showing my new design;  
 FIG. 2 is a front elevational view thereof;  
 FIG. 3 is a rear elevational view thereof;  
 FIG. 4 is a left elevational view thereof;  
 FIG. 5 is a right elevational view thereof;  
 FIG. 6 is a top view thereof; and,  
 FIG. 7 is a bottom view thereof.

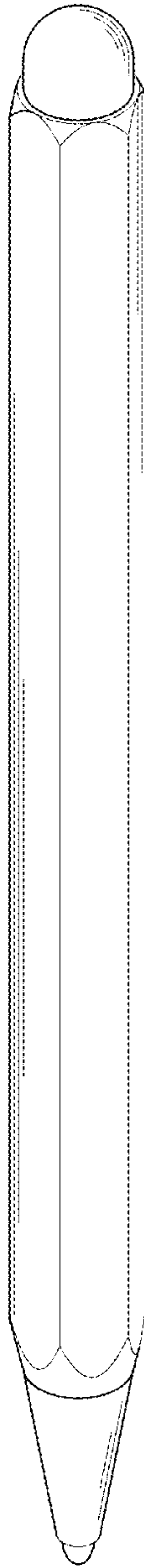
**1 Claim, 6 Drawing Sheets**

(56) **References Cited**

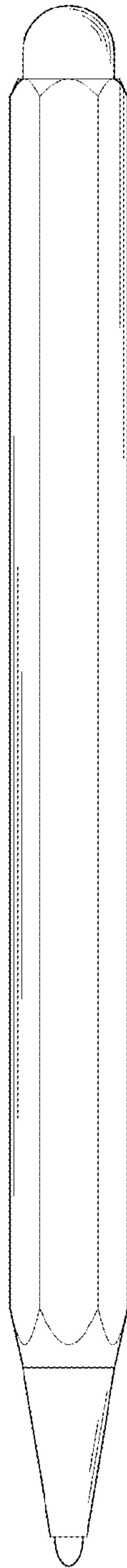
U.S. PATENT DOCUMENTS

1,920,680	A *	8/1933	Davis	.....	15/432
D114,530	S *	5/1939	Deli et al.	.....	D19/46
D128,390	S *	7/1941	Christenson, Jr.	.....	D19/49
D133,540	S *	8/1942	Kahn	.....	D19/46
D134,010	S *	10/1942	Weiss	.....	D8/98
D155,285	S *	9/1949	Green et al.	.....	D19/46
D161,336	S *	12/1950	Harris	.....	D19/51
D161,826	S *	2/1951	Ferber	.....	D19/49
2,652,030	A *	9/1953	Stiefel et al.	.....	401/102
2,747,287	A *	5/1956	Petion	.....	33/776

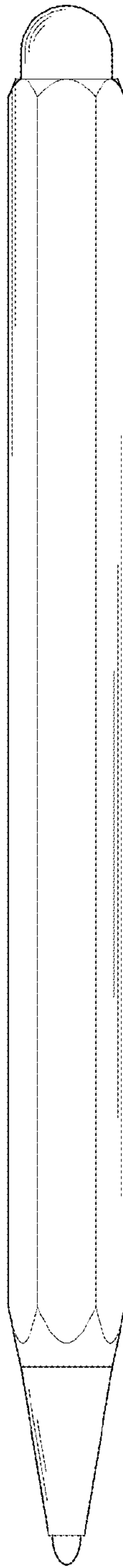




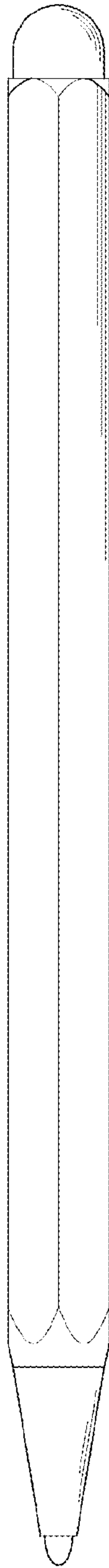
**FIG. 1**



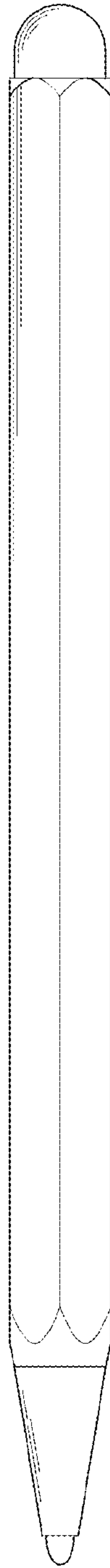
**FIG. 2**



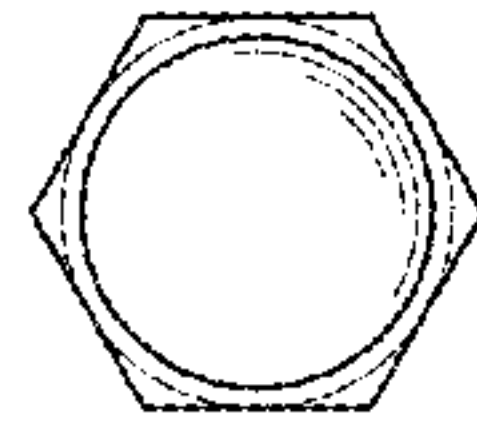
**FIG. 3**



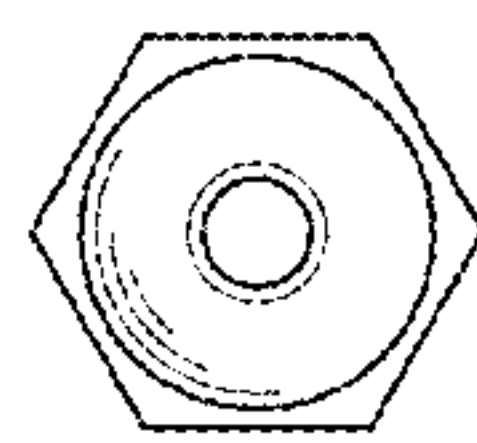
**FIG. 4**



**FIG. 5**



**FIG. 6**



**FIG. 7**