



US00D681109S

(12) **United States Design Patent**  
**Kott**

(10) **Patent No.:** **US D681,109 S**

(45) **Date of Patent:** **\*\* \*Apr. 30, 2013**

(54) **LABEL SHEET**

(75) **Inventor:** **Marla Kott**, Richmond (CA)

(73) **Assignee:** **Illen Products Ltd.**, Richmond (CA)

(\*) **Notice:** This patent is subject to a terminal disclaimer.

(\*\*) **Term:** **14 Years**

(21) **Appl. No.:** **29/382,860**

(22) **Filed:** **Jan. 7, 2011**

(51) **LOC (9) Cl.** ..... **19-01**

(52) **U.S. Cl.**  
USPC ..... **D19/1**

(58) **Field of Classification Search** ..... D19/1-10,  
D19/20-34; 40/124.01-124.15, 672, 661,  
40/726, 776, 617, 633, 360, 638; 229/72,  
229/92, 92.1, 300-303; 283/72, 74, 75, 103,  
283/105, 106, 67, 81, 101, 117, 71, 61-62;  
206/449, 232; D21/385; D20/10, 22, 27,  
D20/40, 42, 99; D14/435, 437  
See application file for complete search history.

(56) **References Cited**

**U.S. PATENT DOCUMENTS**

5,407,718	A *	4/1995	Popat et al. ....	428/41.5
D391,991	S	3/1998	Conner	
D421,046	S *	2/2000	Popat .....	D19/1
D423,044	S *	4/2000	Burke et al. ....	D19/1
D424,614	S *	5/2000	Hamilton et al. ....	D19/1
D448,404	S *	9/2001	Hamilton et al. ....	D19/1
D460,783	S	7/2002	Haas	
D471,933	S	3/2003	Hodsdon et al.	
D473,264	S	4/2003	Sanford et al.	
D476,031	S	6/2003	Hodsdon et al.	
6,726,252	B1	4/2004	Chaikel et al.	

D500,342	S	12/2004	Stewart et al.	
D500,524	S	1/2005	Stewart et al.	
D521,565	S	5/2006	Stewart et al.	
D580,973	S *	11/2008	Turner et al. ....	D19/1
D602,077	S *	10/2009	Novack et al. ....	D19/12
D640,738	S *	6/2011	Jain et al. ....	D19/1
2009/0197032	A1	8/2009	Didulo et al.	

**FOREIGN PATENT DOCUMENTS**

EP	001641838-0001	11/2009
EP	001641838-0002	11/2009
EP	001641838-0003	11/2009
EP	001641838-0004	11/2009
EP	001641838-0005	11/2009
EP	001641838-0006	11/2009
EP	001641838-0007	11/2009
EP	001641838-0008	11/2009

(Continued)

**OTHER PUBLICATIONS**

Imprint Plus 2009 Product Sampler, Feb. 2009, pp. 9 & 18.

(Continued)

*Primary Examiner* — Caron D Veynar  
*Assistant Examiner* — Abraham Bahta  
(74) *Attorney, Agent, or Firm* — Oyen Wiggs Green & Mutala LLP

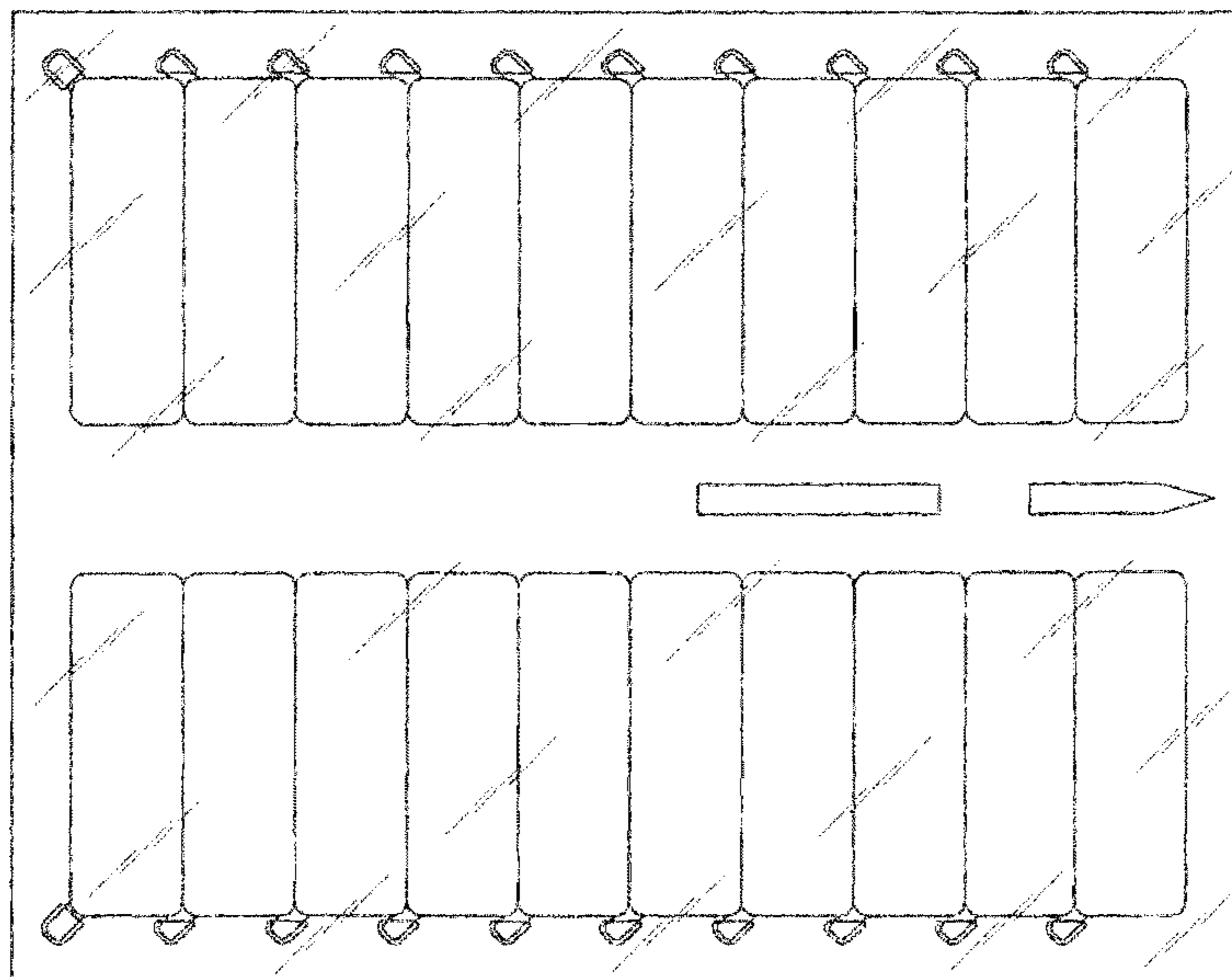
(57) **CLAIM**

The ornamental design for a label sheet, as shown and described.

**DESCRIPTION**

FIG. 1 is a top plan view of the applicant's label sheet in accordance with the design;  
FIG. 2 is a top plan view of the label sheet of FIG. 1 with one of the labels removed; and,  
FIG. 3 is a bottom plan view of the label sheet of FIG. 1.

**1 Claim, 3 Drawing Sheets**



# US D681,109 S

Page 2

---

## FOREIGN PATENT DOCUMENTS

EP	001641838-0009	11/2009
EP	001641838-0010	11/2009
EP	001641838-0011	11/2009
EP	001641838-0012	11/2009
EP	001641838-0013	11/2009
EP	001641838-0014	11/2009
WO	2009/094781 A1	8/2009

## OTHER PUBLICATIONS

Imprint Plus 2010 Product Sampler, Feb. 2010, pp. 3, 10, & 11.

Imprint Plus 1" x 3" laser label sheet, Jul. 2, 2008.

\* cited by examiner

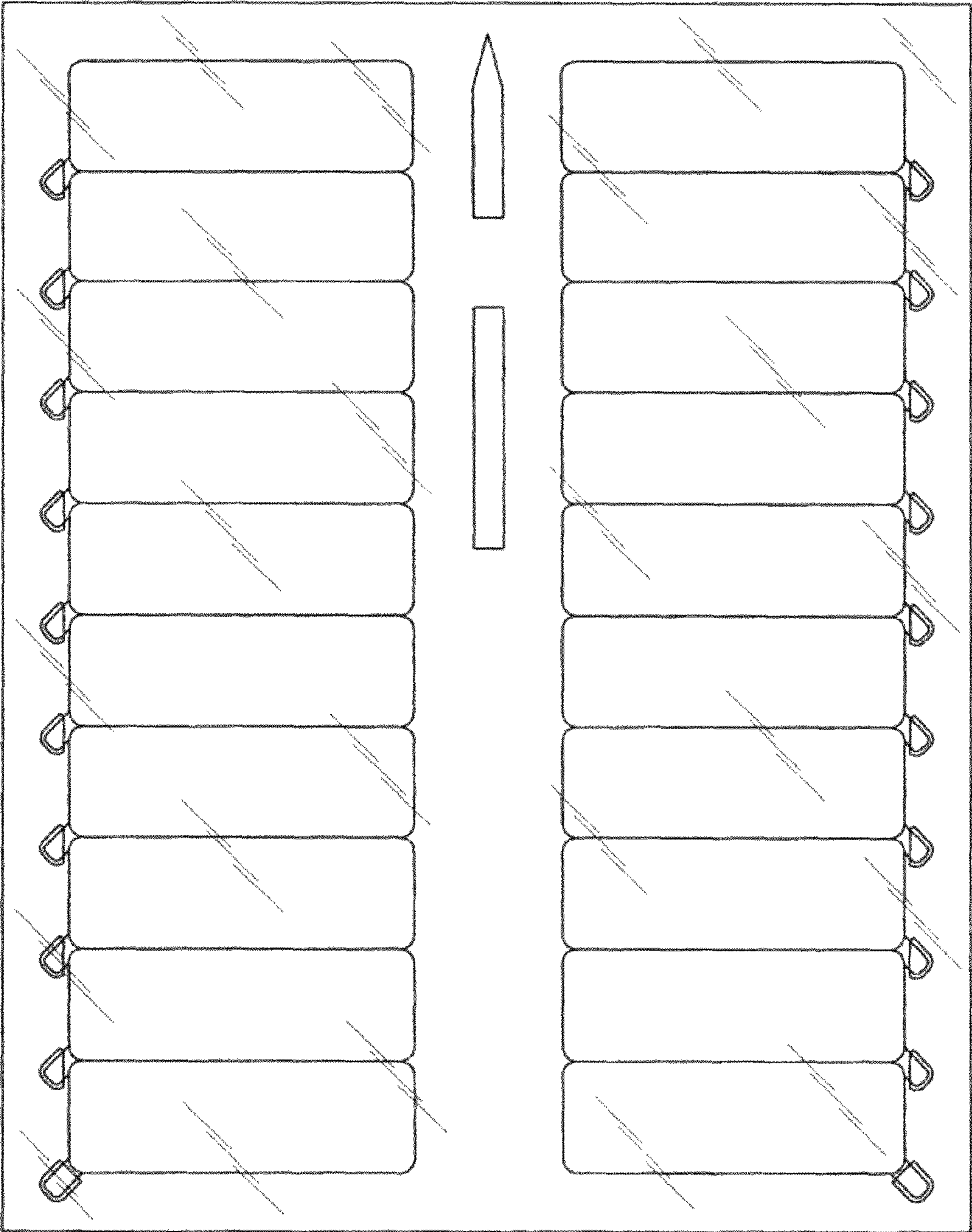


FIG. 1



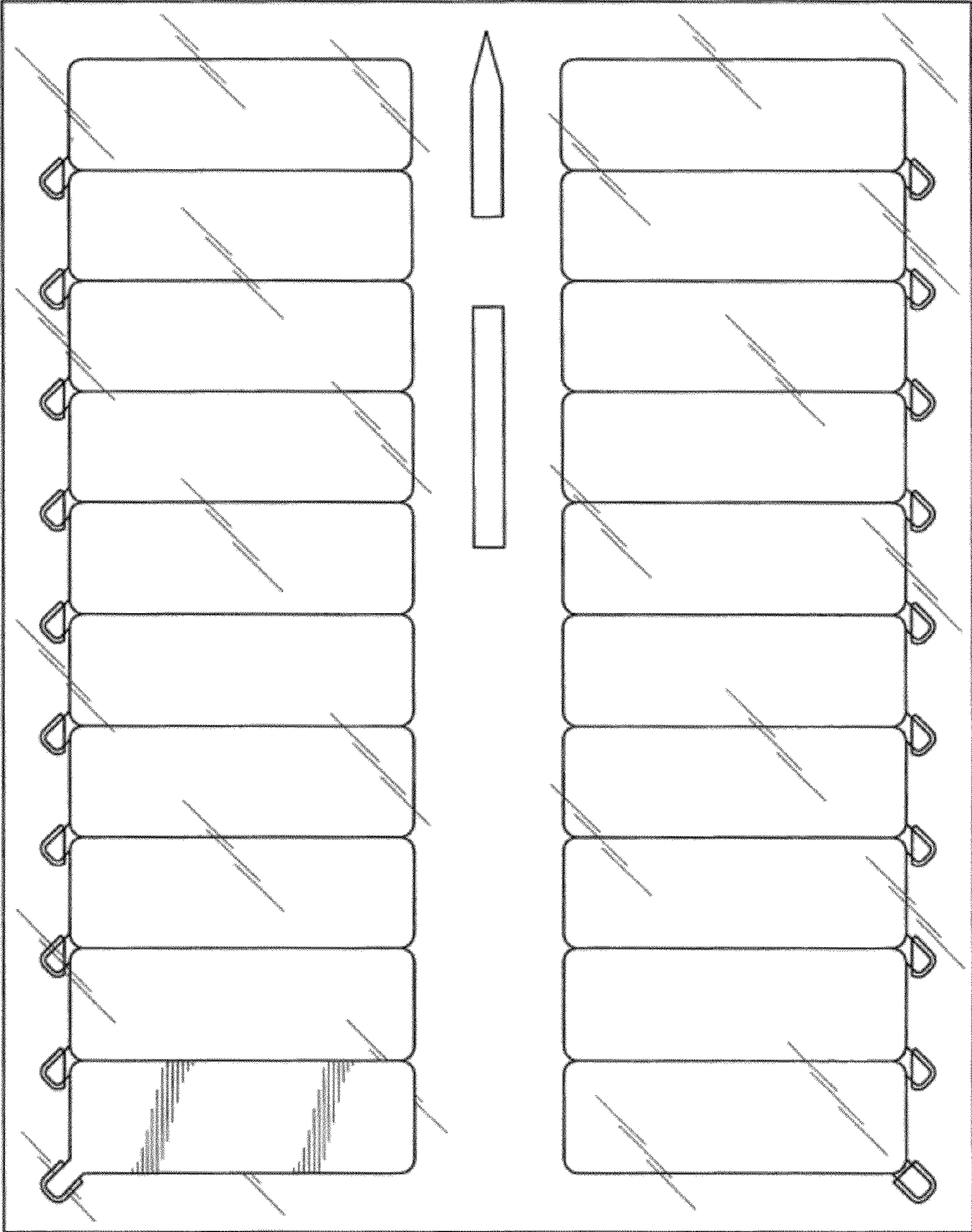


FIG. 2

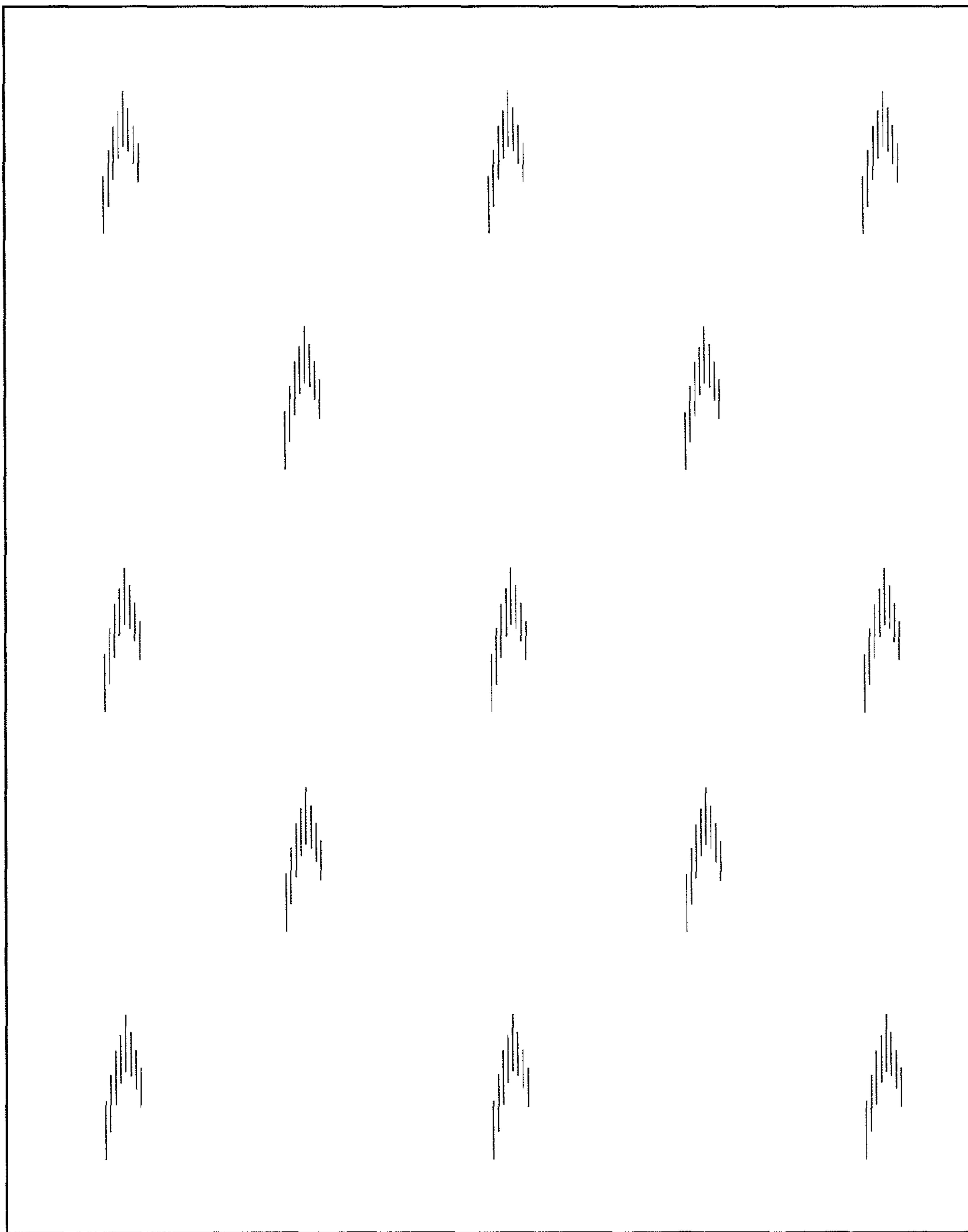


FIG. 3