



US00D681108S

(12) **United States Design Patent**
Lim et al.

(10) **Patent No.:** **US D681,108 S**
(45) **Date of Patent:** **** Apr. 30, 2013**

(54) **PRINTER**

(75) Inventors: **Khim Yam Lim**, Singapore (SG); **Jiajin Wu**, Singapore (SG); **Qian Tao**, Singapore (SG); **Nick Su**, Singapore (SG)

(73) Assignee: **Hewlett-Packard Development Company, L.P.**, Houston, TX (US)

(**) Term: **14 Years**

(21) Appl. No.: **29/418,562**

(22) Filed: **Apr. 18, 2012**

(51) **LOC (9) Cl.** **14-02**

(52) **U.S. Cl.**
USPC **D18/50**

(58) **Field of Classification Search** D18/36-38,
D18/50, 54-54.1, 55; D14/420-425, 462-470;
400/613, 613.1-613.4, 690.1-690.4, 691-694
See application file for complete search history.

(56) **References Cited**

U.S. PATENT DOCUMENTS

D468,765 S *	1/2003	Kobayashi et al.	D18/55
D489,754 S *	5/2004	Akahane et al.	D18/55
D501,503 S	2/2005	Leong et al.		
D516,622 S *	3/2006	Suzuki et al.	D18/55
D518,092 S	3/2006	Hattori		
D523,073 S	6/2006	Amemiya et al.		
D530,738 S *	10/2006	Tay et al.	D18/55
D537,113 S	2/2007	Gant et al.		
D538,334 S *	3/2007	Lee et al.	D18/55
D539,840 S	4/2007	Whittall et al.		
D579,486 S	10/2008	Gant et al.		
D594,508 S *	6/2009	Joe et al.	D18/55
D607,047 S	12/2009	Egami et al.		

D607,049 S *	12/2009	Sasaki et al.	D18/55
D608,823 S *	1/2010	Tomono	D18/55
D623,221 S	9/2010	Yonekawa et al.		
D643,462 S	8/2011	Yamashita et al.		
D645,897 S *	9/2011	Chuang et al.	D18/50
D648,378 S	11/2011	Ishikawa et al.		
D648,379 S	11/2011	Ishikawa et al.		
D673,211 S *	12/2012	Oishi	D18/50

OTHER PUBLICATIONS

HP Officejet 6000, Retrieved from < <http://www.techspot.com/products/printers/hp-officejet-6000.50188/> > on Feb. 22, 2012, 2 pgs.
Yu, J., "HP Deskjet D2660 Review", Jul. 17, 2009, 9 pgs., Retrieved from < <http://reviews.cnet.co.uk/printers/hp-deskjet-d2660-review-49303022/> > on Feb. 22, 2012.
Canon Pixma MP560 Printer Review, Retrieved from < <http://news.printcountry.com/2010/03/canon-pixma-mp560-printer-review.html> > on Feb. 22, 2012, 2 pgs.

(Continued)

Primary Examiner — Cathy A MacCormac

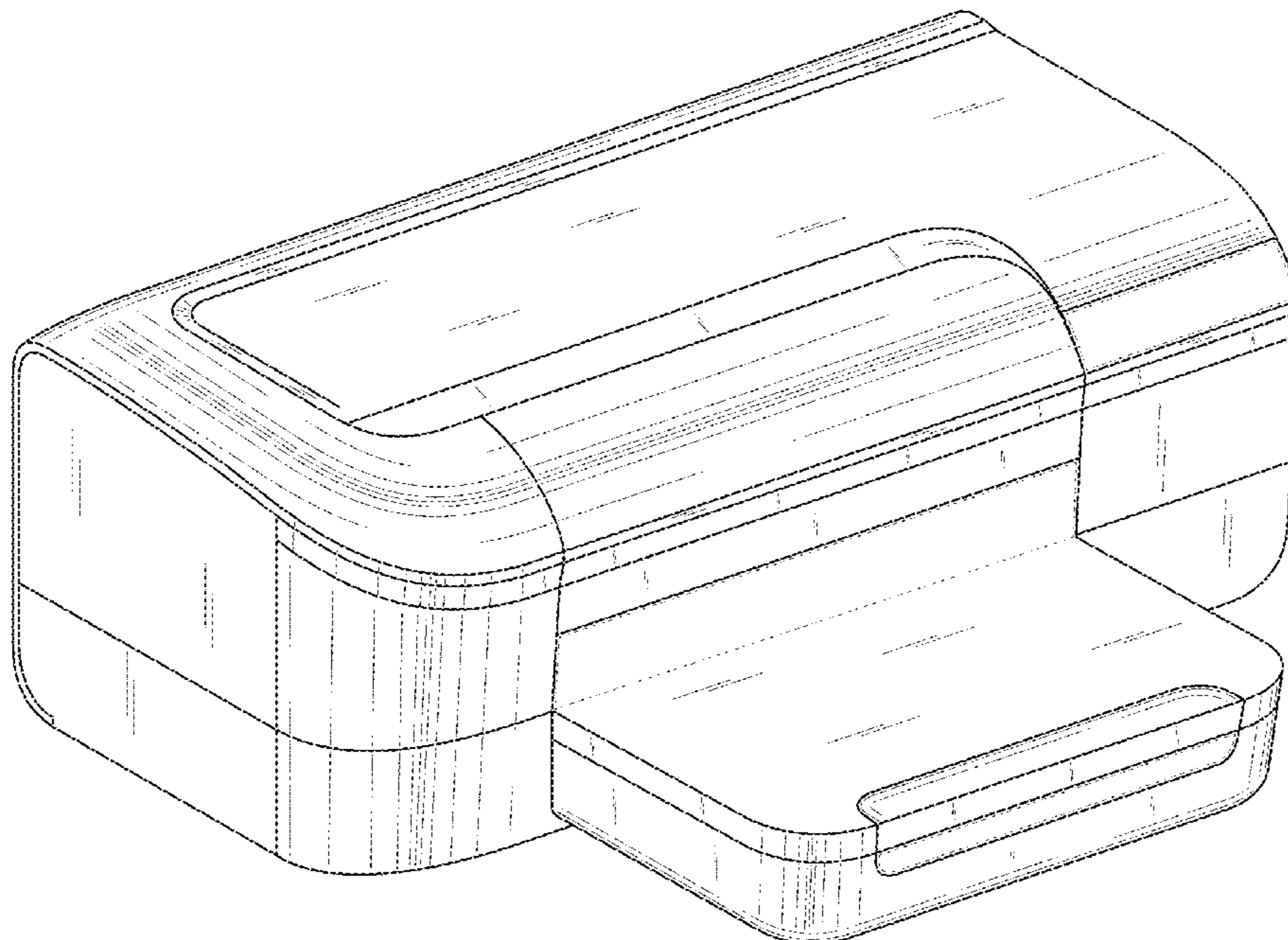
(57) **CLAIM**

The ornamental design for a printer, substantially as shown and described.

DESCRIPTION

FIG. 1 is a left-front perspective view of the design for the printer;
FIG. 2 is a front view thereof;
FIG. 3 is a rear view thereof;
FIG. 4 is a left side view thereof;
FIG. 5 is a right side view thereof;
FIG. 6 is a top view thereof; and,
FIG. 7 is a bottom view thereof.
The portions shown in broken lines are for illustrative purposes only and form no part of the claimed design.

1 Claim, 7 Drawing Sheets



OTHER PUBLICATIONS

HP Photosmart Premium Wireless E-all-in-one (CN503A#B1H) for Sale!, Retrieved from < <http://allinonecomputerprinters.cheapbestpricebuyshoppingsale.com/2011/03/hp-photosmart-premium-wireless-e-all-in.html> > on Feb. 22, 2012, 3 pgs.

Carey, D., "How Does a Printer Work to Print Photos", Retrieved from < <http://www.life123.com/technology/computer-hardware/photo-printer/how-does-a-printer-work.shtml> > on Feb. 22, 2012, 2 pgs.

* cited by examiner

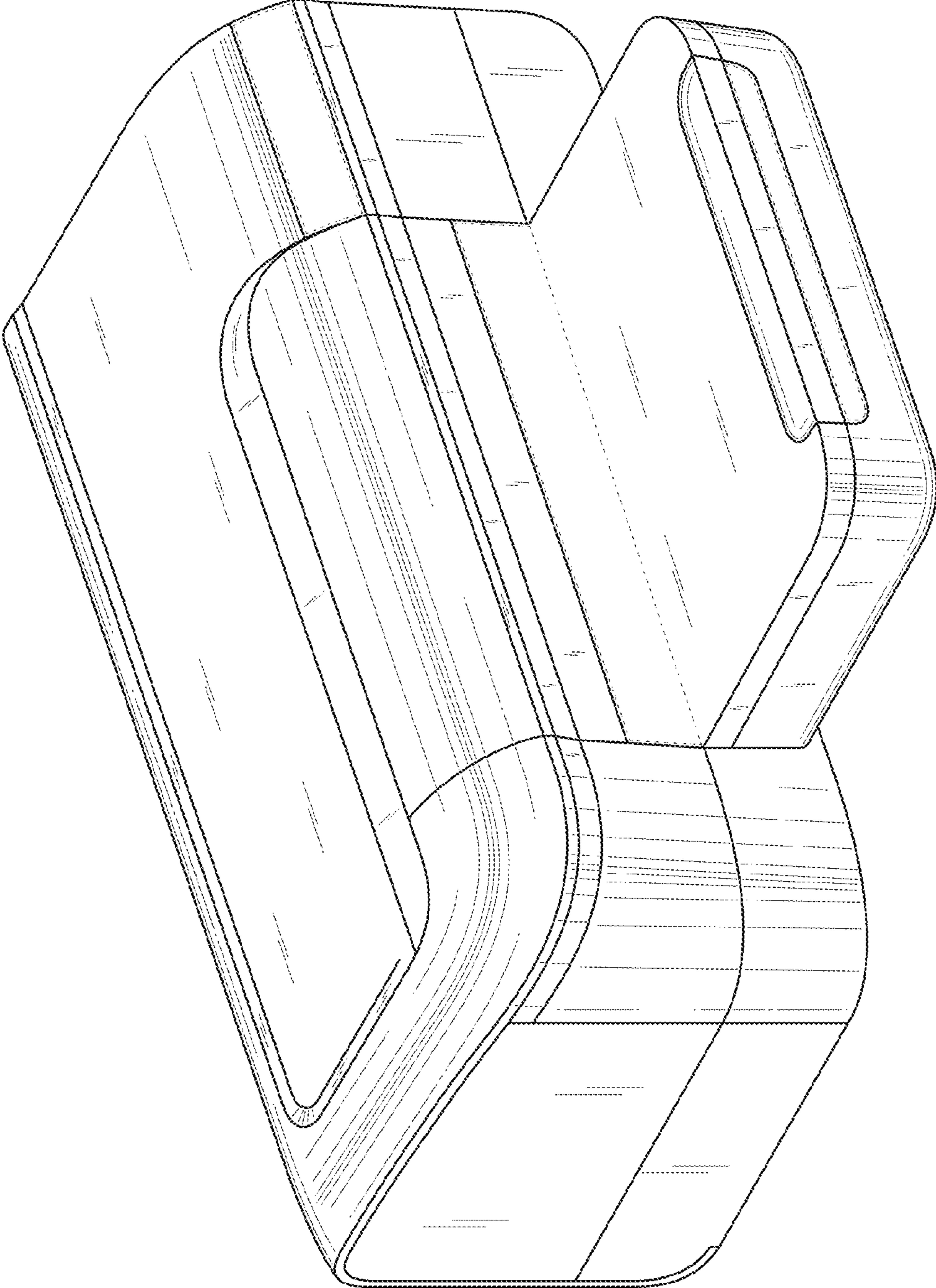


Fig. 1

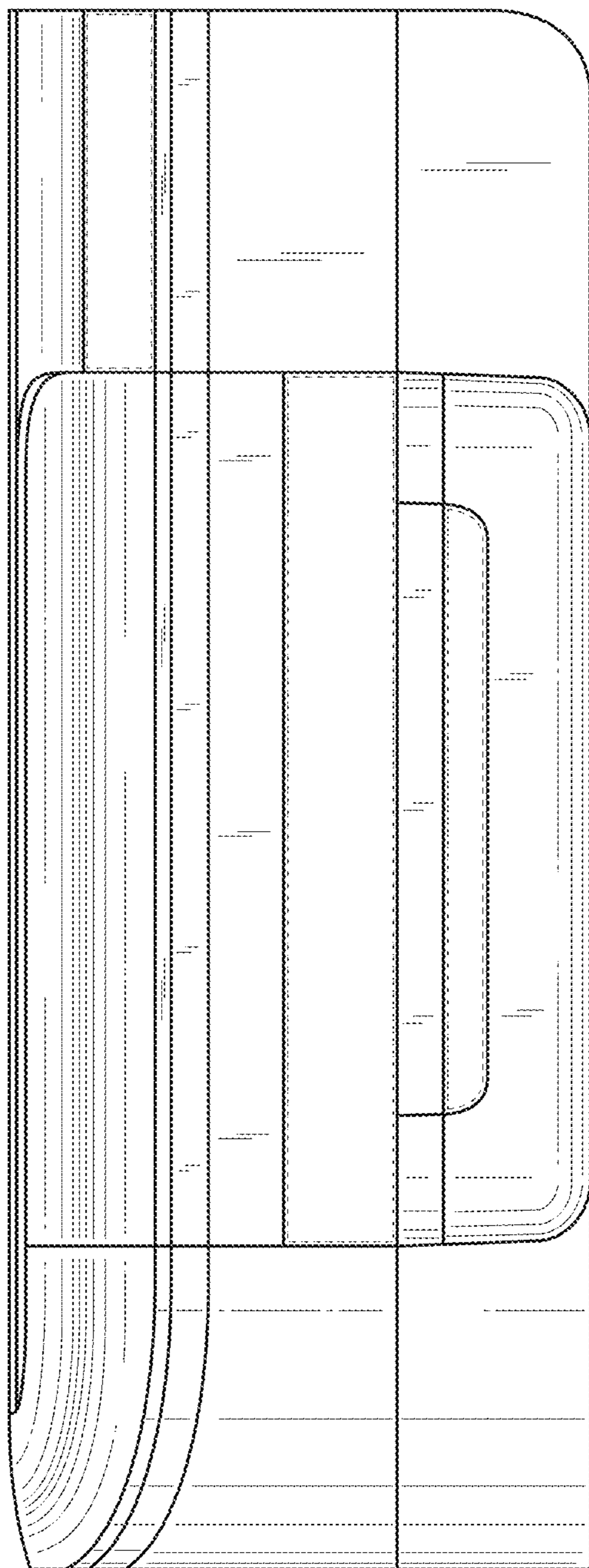


Fig. 2

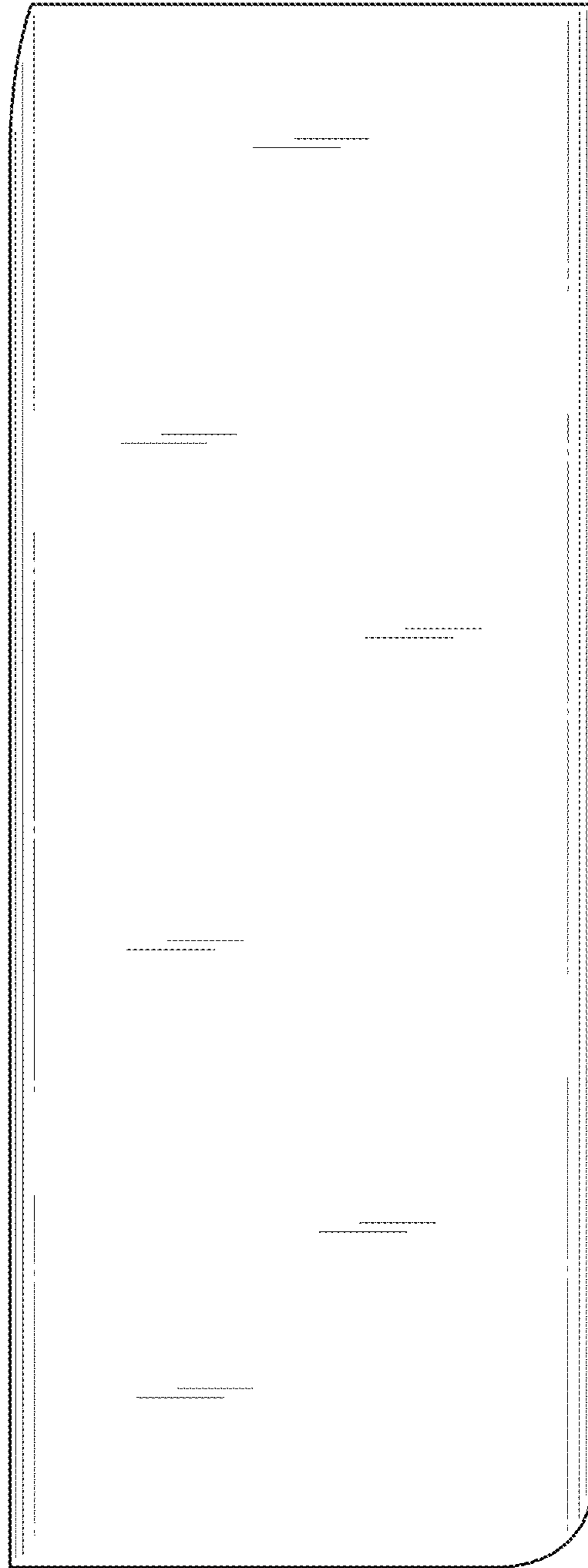


Fig. 3

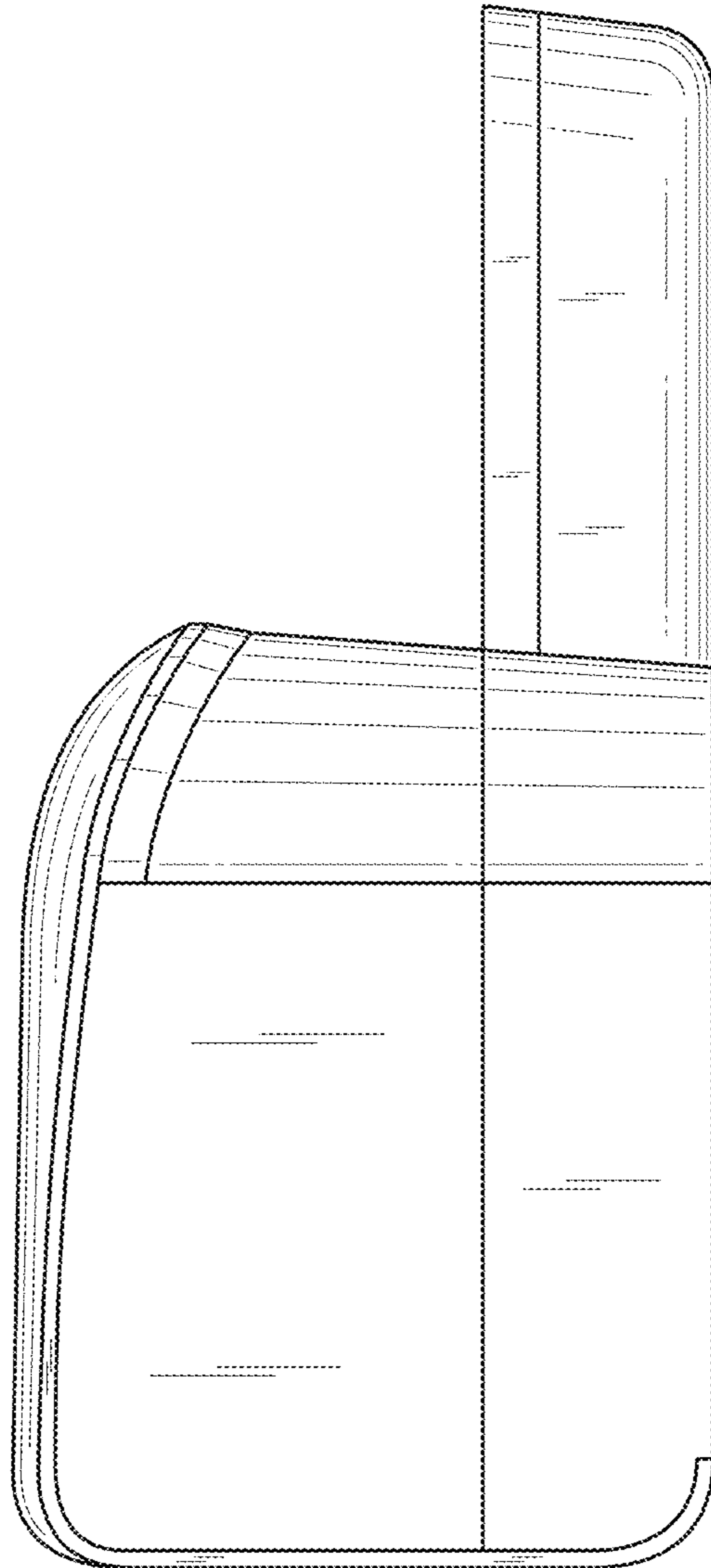


Fig. 4

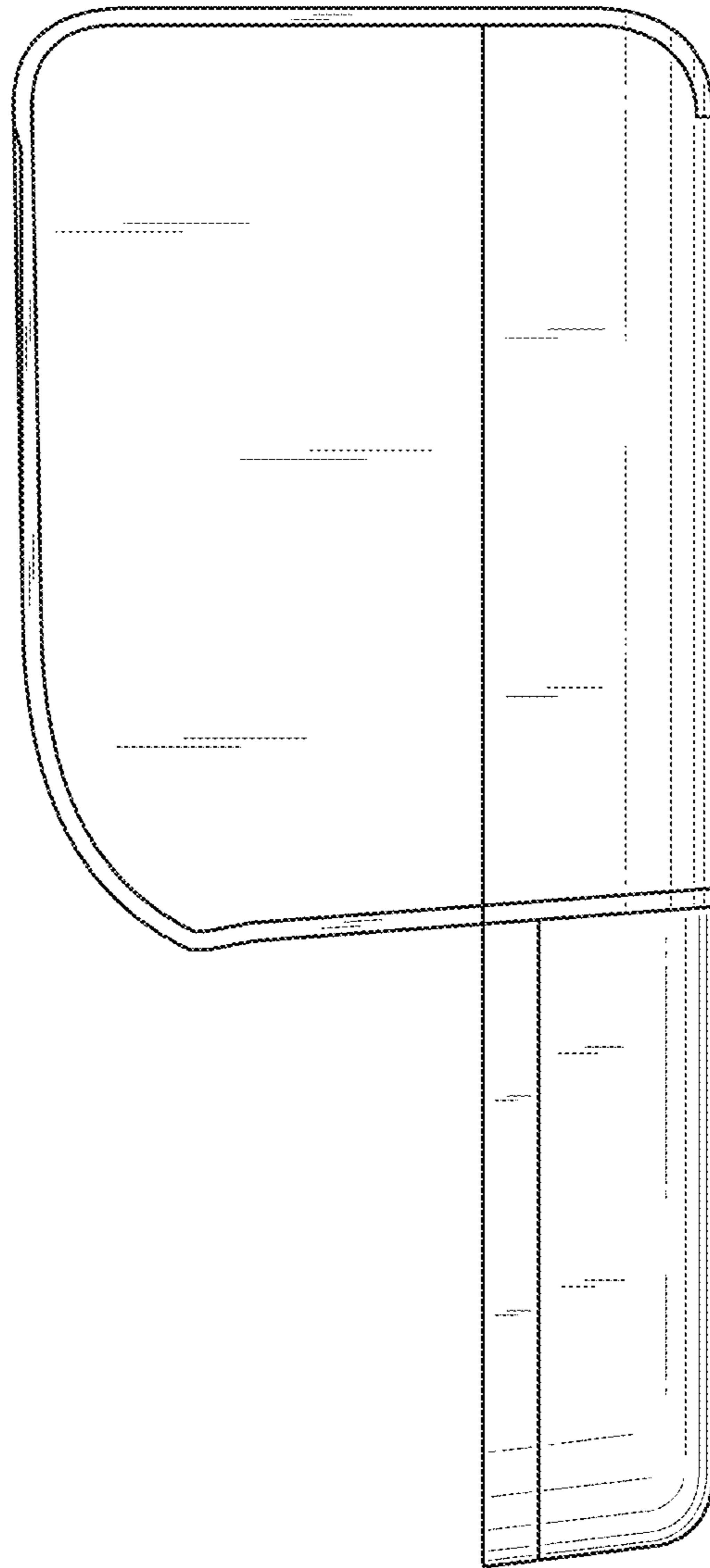


Fig. 5

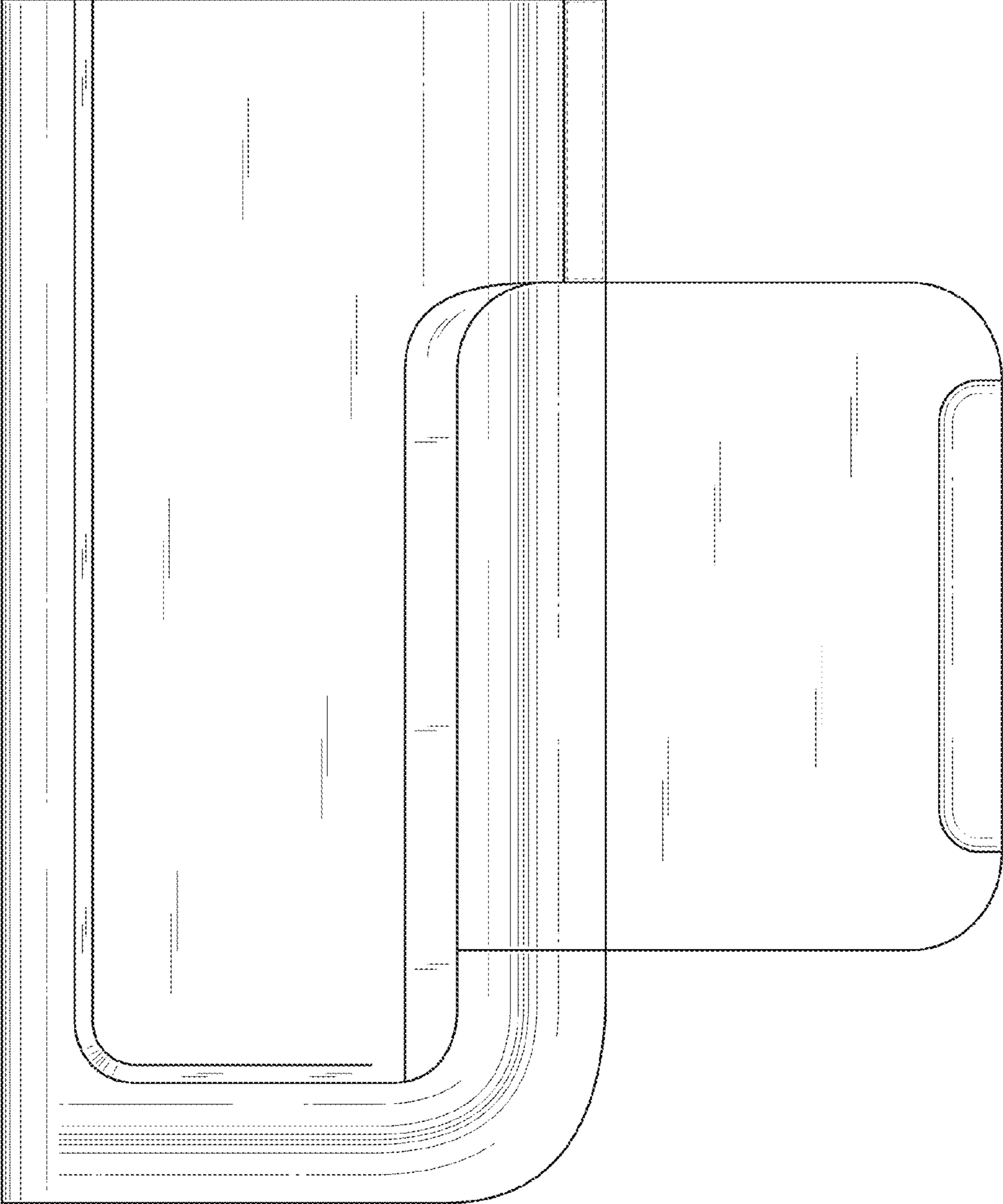


Fig. 6

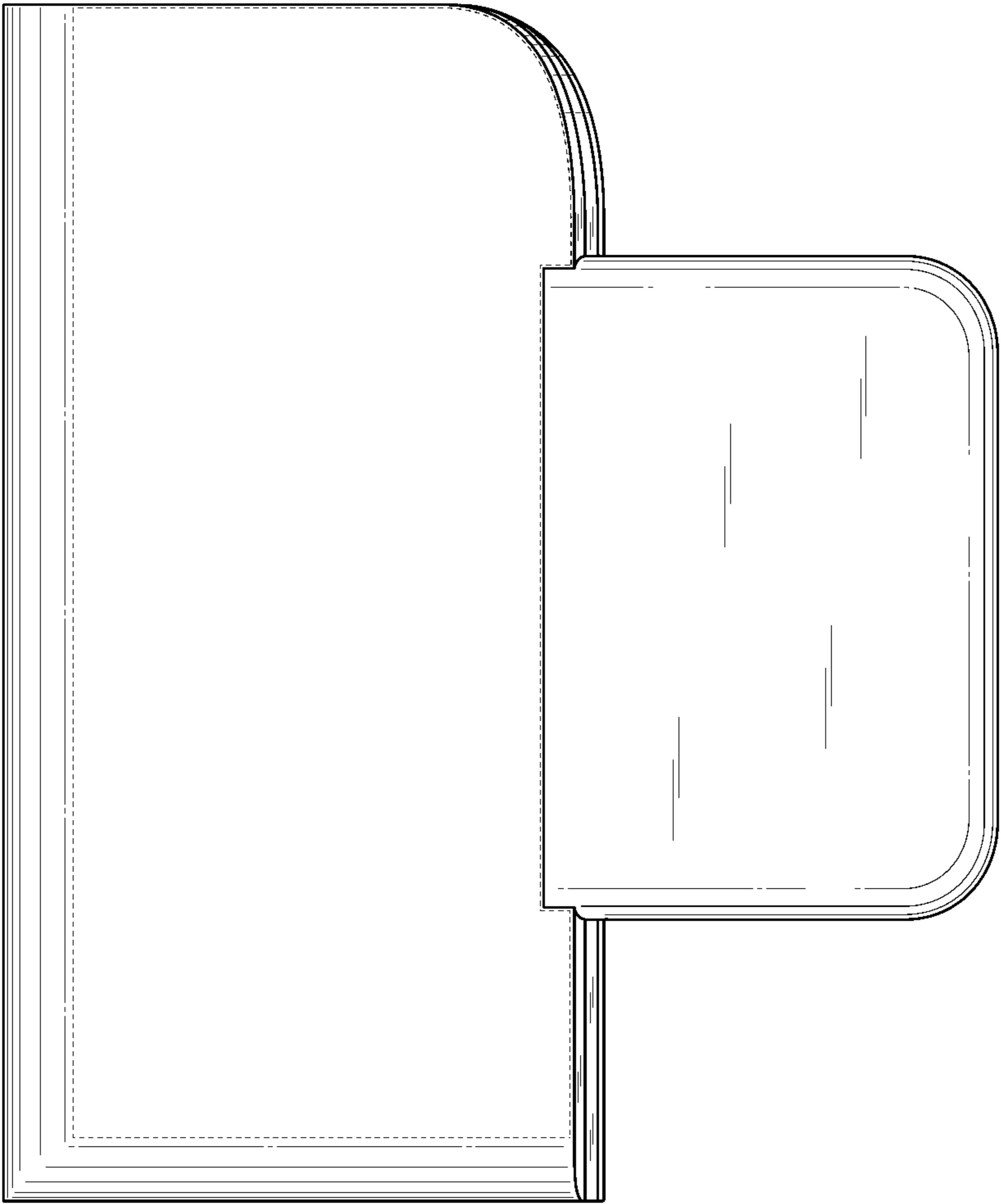


Fig. 7