



US00D681102S

(12) **United States Design Patent**  
**Yi et al.**

(10) **Patent No.:** **US D681,102 S**  
(45) **Date of Patent:** **\*\* Apr. 30, 2013**

(54) **GUITAR HEADSTOCK**

(76) Inventors: **Kennon Yi**, Burbank, CA (US);  
**Sungmin Oh**, Valencia, CA (US)

(\*\*) Term: **14 Years**

(21) Appl. No.: **29/419,236**

(22) Filed: **Apr. 26, 2012**

(51) **LOC (9) Cl.** ..... **17-03**

(52) **U.S. Cl.**  
USPC ..... **D17/20**

(58) **Field of Classification Search** ..... D17/14,  
D17/18, 19, 20; 84/173, 267, 290-293  
See application file for complete search history.

(56) **References Cited**

U.S. PATENT DOCUMENTS

4,840,102	A	*	6/1989	Pittman	.....	84/293
D304,953	S	*	12/1989	Ridinger et al.	.....	D17/20
4,977,808	A	*	12/1990	Thacker	.....	84/291
D387,371	S	*	12/1997	Riboloff	.....	D17/20
D404,061	S	*	1/1999	Roth	.....	D17/20
D499,756	S	*	12/2004	Di Pinto	.....	D17/14
D572,302	S	*	7/2008	Peavey	.....	D17/20
D643,460	S	*	8/2011	Barkdull	.....	D17/20
D649,585	S	*	11/2011	McCarthy	.....	D17/20

D662,539 S \* 6/2012 Mohajerin ..... D17/14

\* cited by examiner

*Primary Examiner* — Rashida Johnson

(74) *Attorney, Agent, or Firm* — Miles & Stockbridge P.C.;  
David R. Schaffer, Esq.

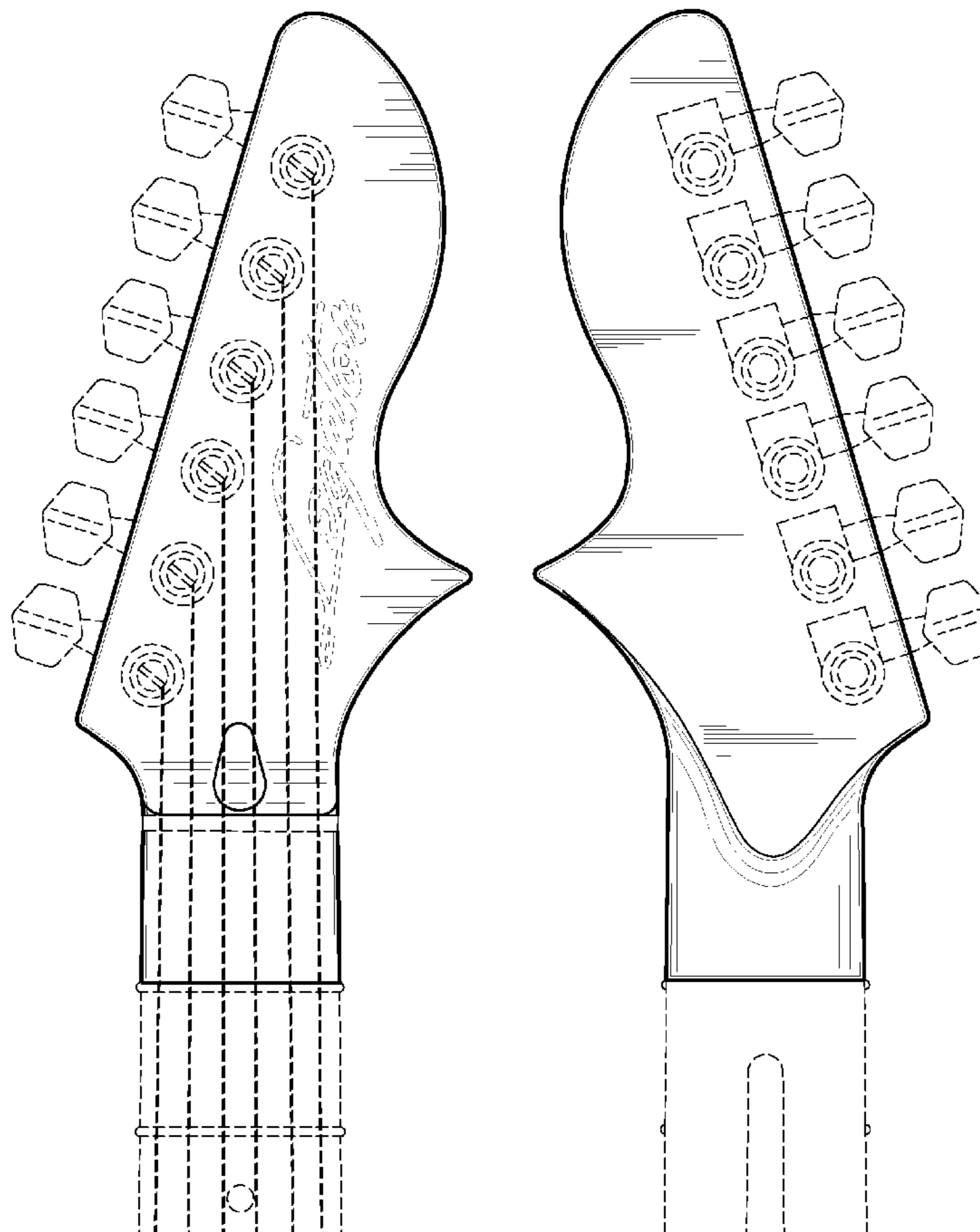
(57) **CLAIM**

The ornamental design for a guitar headstock, as shown and described.

**DESCRIPTION**

FIG. 1 is a front view of a design for a guitar headstock.  
FIG. 2 is a right side view of a design for a guitar headstock.  
FIG. 3 is a bottom end view of a design for a guitar headstock.  
FIG. 4 is a back view of a design for a guitar headstock.  
FIG. 5 is a left side view of a design for a guitar headstock.  
FIG. 6 is a top end view of a design for a guitar headstock.  
FIG. 7 is a top right perspective view of a design for a guitar headstock; and,  
FIG. 8 is a bottom right perspective view of a design for a guitar headstock.  
The broken lines shown throughout the views represent the portions of the guitar headstock, which form no part of the claimed design.

**1 Claim, 4 Drawing Sheets**



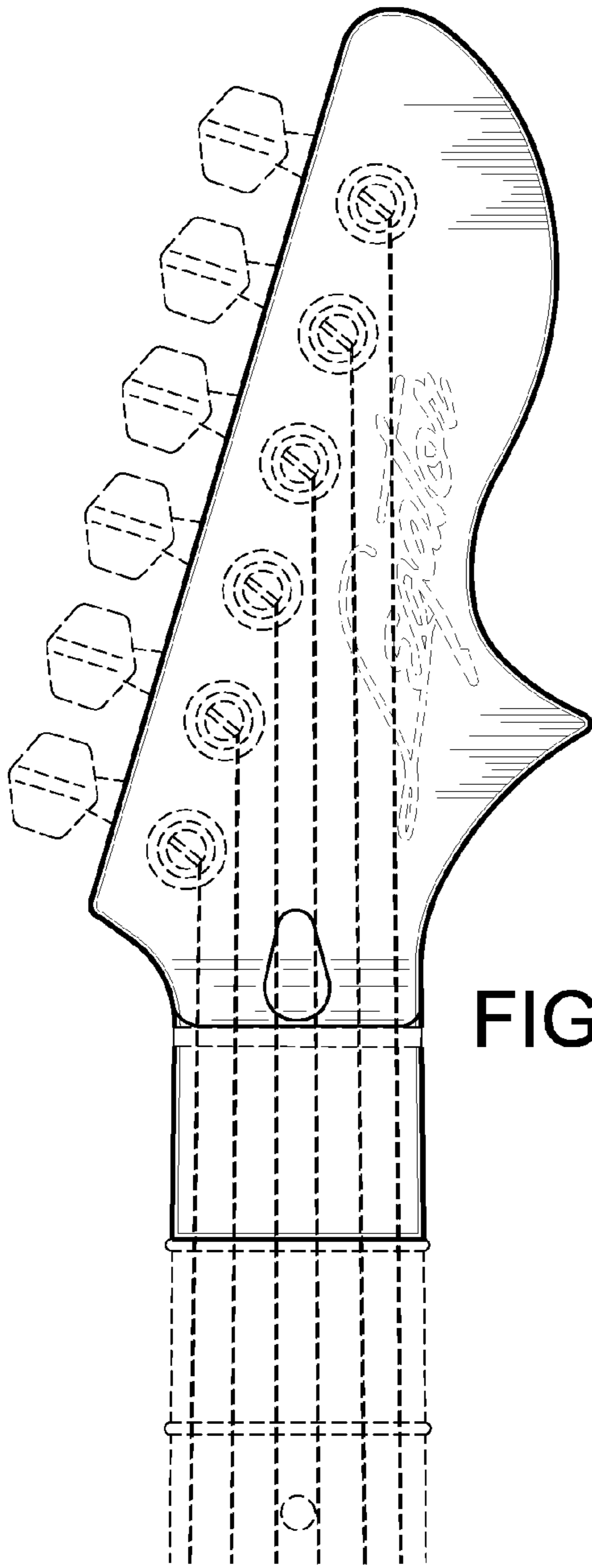


FIG. 1

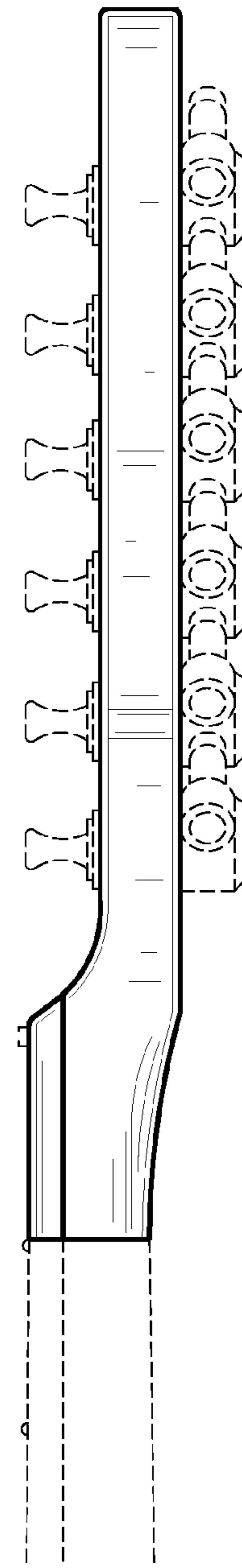


FIG. 2

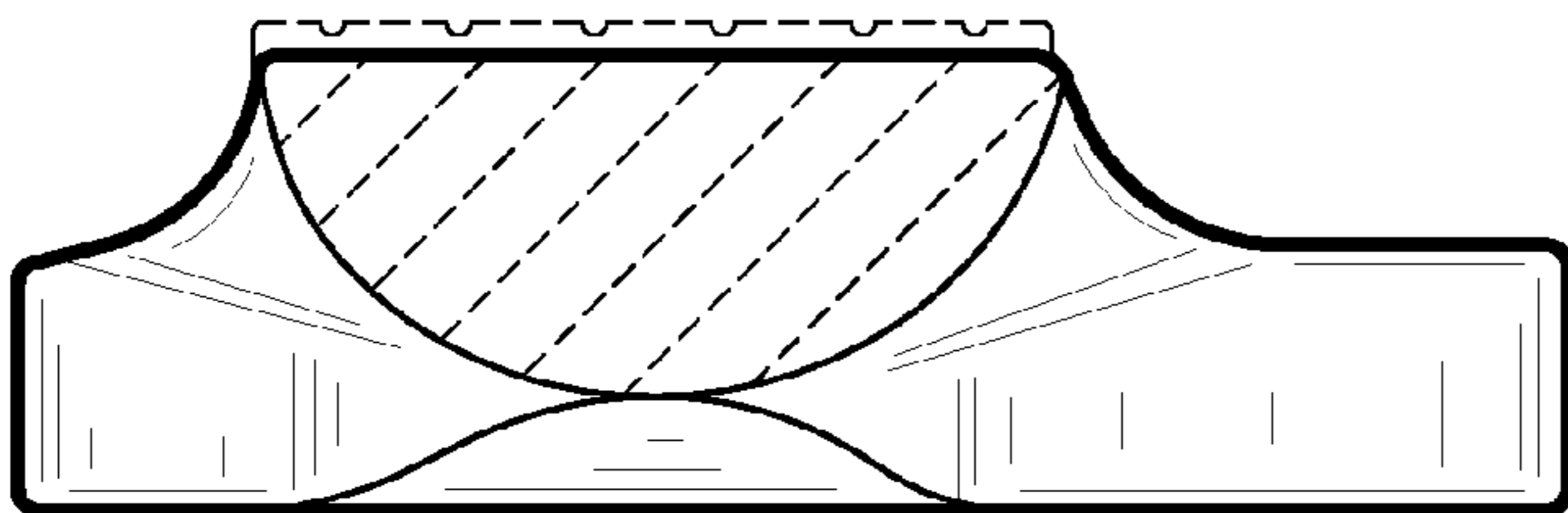


FIG. 3

FIG. 6

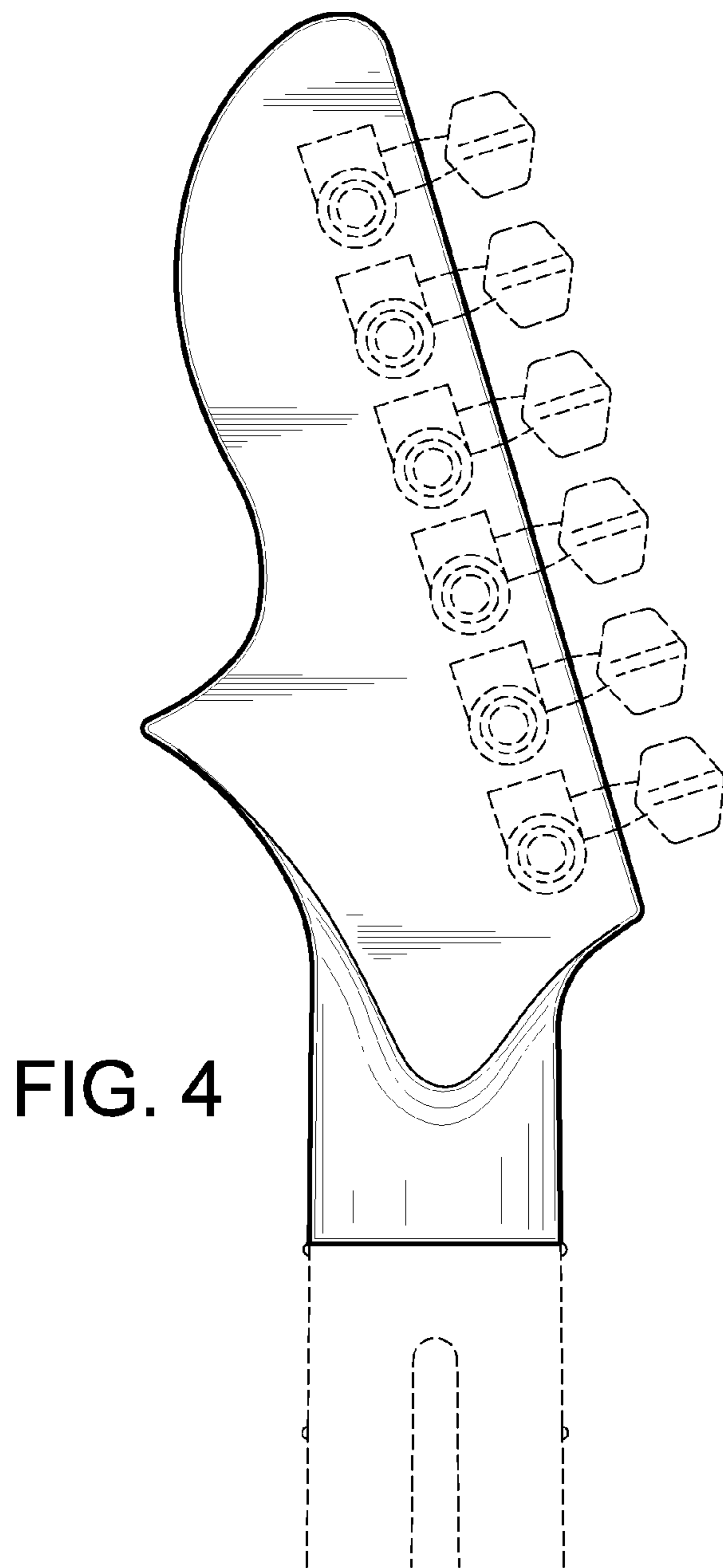
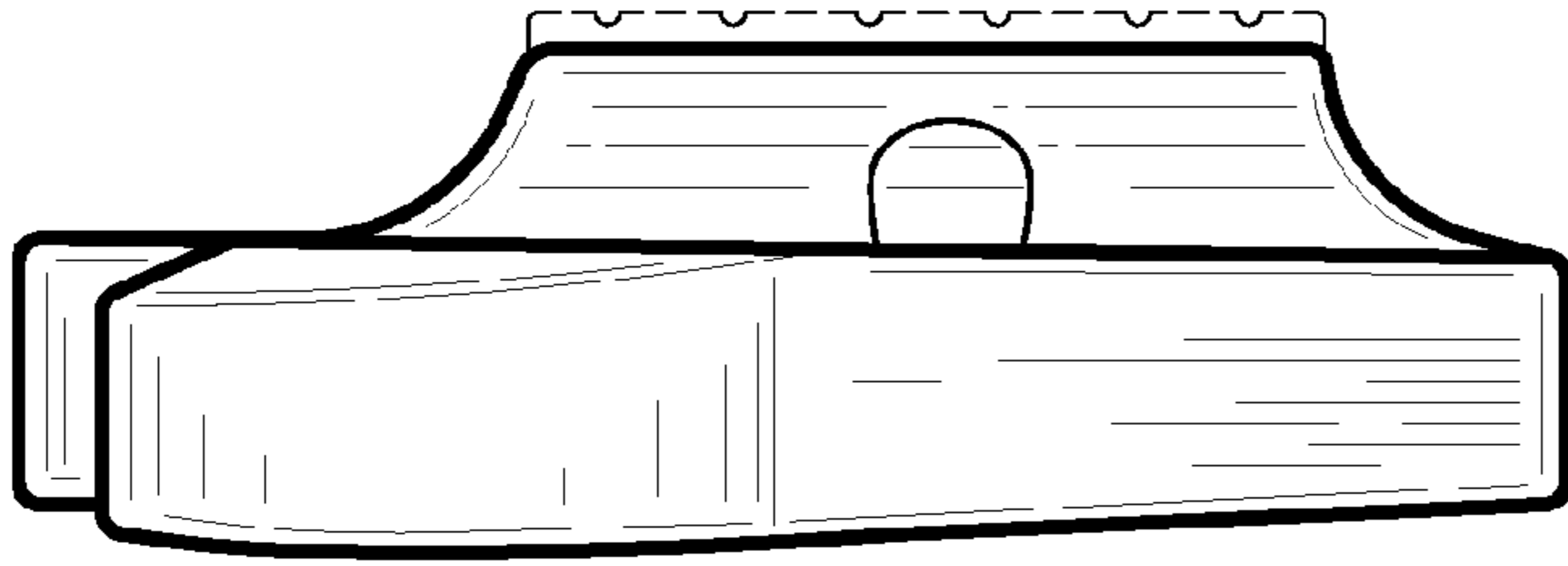


FIG. 4

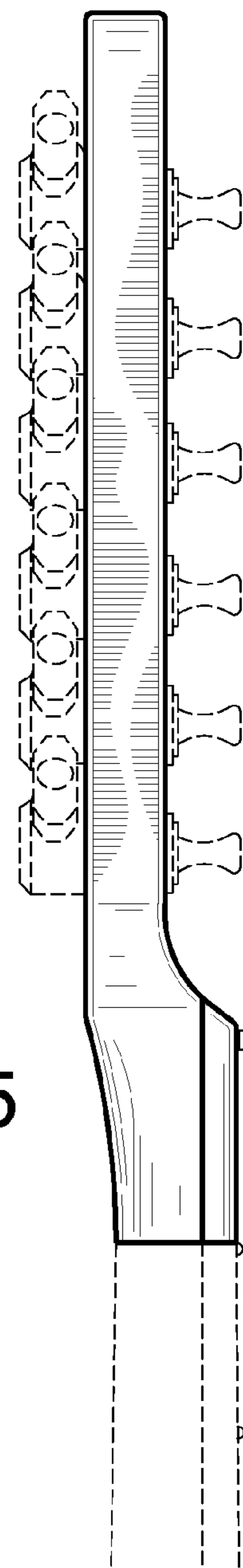


FIG. 5

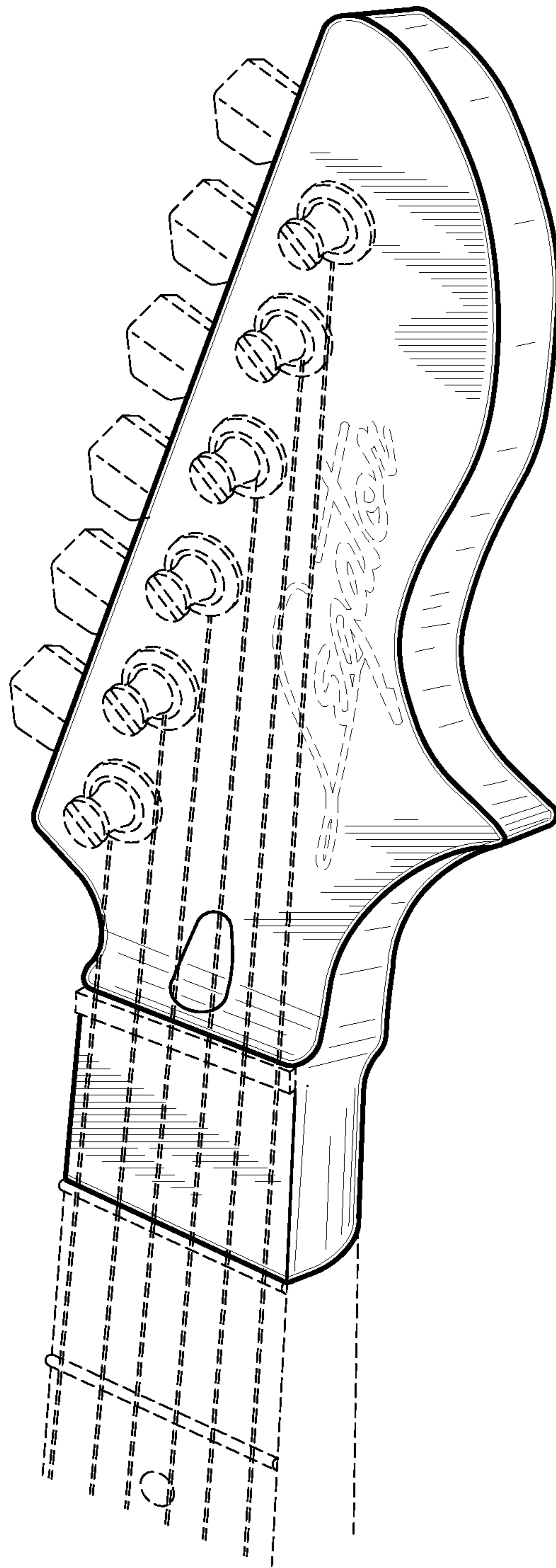


FIG. 7

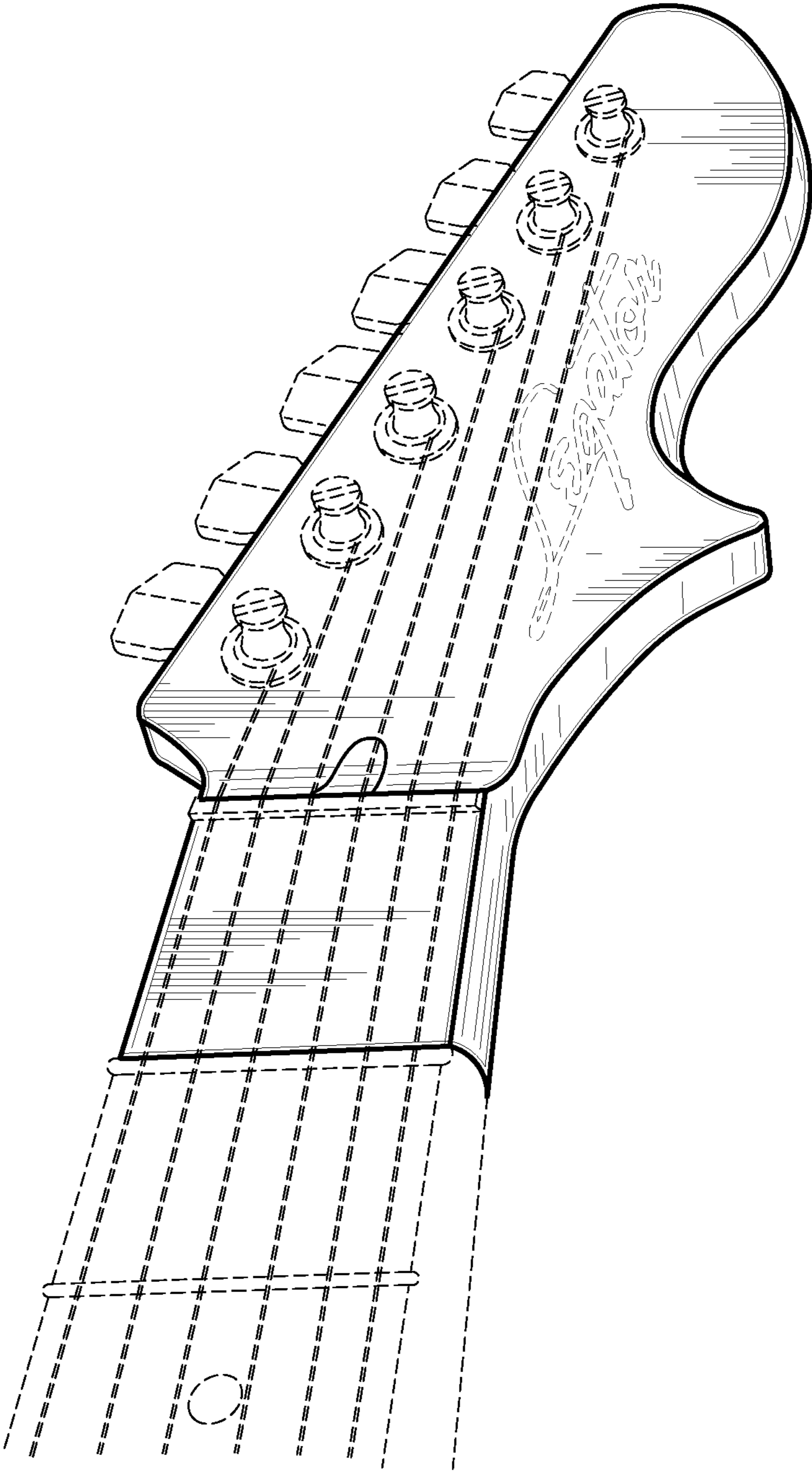


FIG. 8